



US00D629798S

(12) **United States Design Patent**
Arie et al.

(10) **Patent No.:** **US D629,798 S**
(45) **Date of Patent:** **** Dec. 28, 2010**

(54) **DISPLAY FOR ELECTRONIC BOOK**

D584,302 S * 1/2009 Sogabe D14/341
D589,510 S 3/2009 Wada

(75) Inventors: **Isamu Arie**, Park Ridge, NJ (US); **Yuji
Olkawa**, Tokyo (JP); **Yosuke Shimizu**,
Tokyo (JP); **Hiroya Fujii**, Tokyo (JP);
Daisuke Shiono, Tokyo (JP); **Satoshi
Yasushima**, Kanagawa (JP)

(Continued)

OTHER PUBLICATIONS

“Reader Pocket Edition”, product review Apr. 23, 1010; www.
sonystyle.com, captured Apr. 26, 2010.*

(Continued)

(73) Assignee: **Sony Corporation**, Tokyo (JP)

(**) Term: **14 Years**

Primary Examiner—Cathron C Brooks

Assistant Examiner—Barbara Fox

(21) Appl. No.: **29/311,928**

(74) *Attorney, Agent, or Firm*—Rader, Fishman & Grauer
PLLC

(22) Filed: **Jul. 31, 2009**

(51) **LOC (9) Cl.** **14-02**

(52) **U.S. Cl.** **D14/341**

(58) **Field of Classification Search** D14/341–347,
D14/137, 138, 138.1, 138 AA, 138 R, 138 AB,
D14/138 G, 138 A, 496, 426, 429, 129, 130,
D14/420, 439–441, 448, 125, 147, 156, 218,
D14/250, 389, 336, 203.1, 203.3, 203.4, 203.7,
D14/315, 388–390; D21/324, 329, 330;
D10/65, 104; D18/6–7; 345/169, 901, 905,
345/156, 157, 168, 173; 361/814, 680, 686,
361/679.27, 679.3; 341/22; 348/168; 379/433.04,
379/433.07, 433.11, 916, 433.01, 433.06
See application file for complete search history.

(57) **CLAIM**

The ornamental design for a display for electronic book, as
shown and described.

DESCRIPTION

FIG. 1 is a perspective view of a display for electronic book
showing our new design;

FIG. 2 is a front elevational view thereof;

FIG. 3 is a rear elevational view thereof;

FIG. 4 is a left side elevational view thereof;

FIG. 5 is a right side elevational view thereof;

FIG. 6 is a top plan view thereof; and

FIG. 7 is a bottom plan view thereof.

FIG. 8 is a perspective view of another embodiment of a
display for electronic book, shown with unclaimed portions
in an open position;

FIG. 9 is a front elevational view thereof;

FIG. 10 is a rear elevational view thereof;

FIG. 11 is a left side elevational view thereof;

FIG. 12 is a right side elevational view thereof;

FIG. 13 is a top plan view thereof;

FIG. 14 is a bottom plan view thereof; and

FIG. 15 is a perspective view thereof, shown with unclaimed
portions in a closed position;

(56) **References Cited**

U.S. PATENT DOCUMENTS

| | | | | |
|---------------|---------|-----------------|-------|---------|
| D310,359 S * | 9/1990 | Inukai | | D14/374 |
| 5,347,295 A * | 9/1994 | Agulnick et al. | | 345/156 |
| D402,310 S * | 12/1998 | Hendricks | | D14/345 |
| D464,961 S | 10/2002 | Sogabe | | |
| D488,469 S * | 4/2004 | Batsikas | | D14/341 |
| D491,942 S * | 6/2004 | Takahashi | | D14/374 |
| D502,944 S * | 3/2005 | Kawami et al. | | D14/336 |
| D505,428 S * | 5/2005 | Yagihashi | | D14/496 |
| D515,441 S | 2/2006 | Shindo | | |
| D548,234 S * | 8/2007 | Kurihara | | D14/371 |
| D552,592 S * | 10/2007 | Deguchi | | D14/167 |
| D560,686 S * | 1/2008 | Kim et al. | | D14/496 |
| D561,199 S | 2/2008 | Morisawa | | |

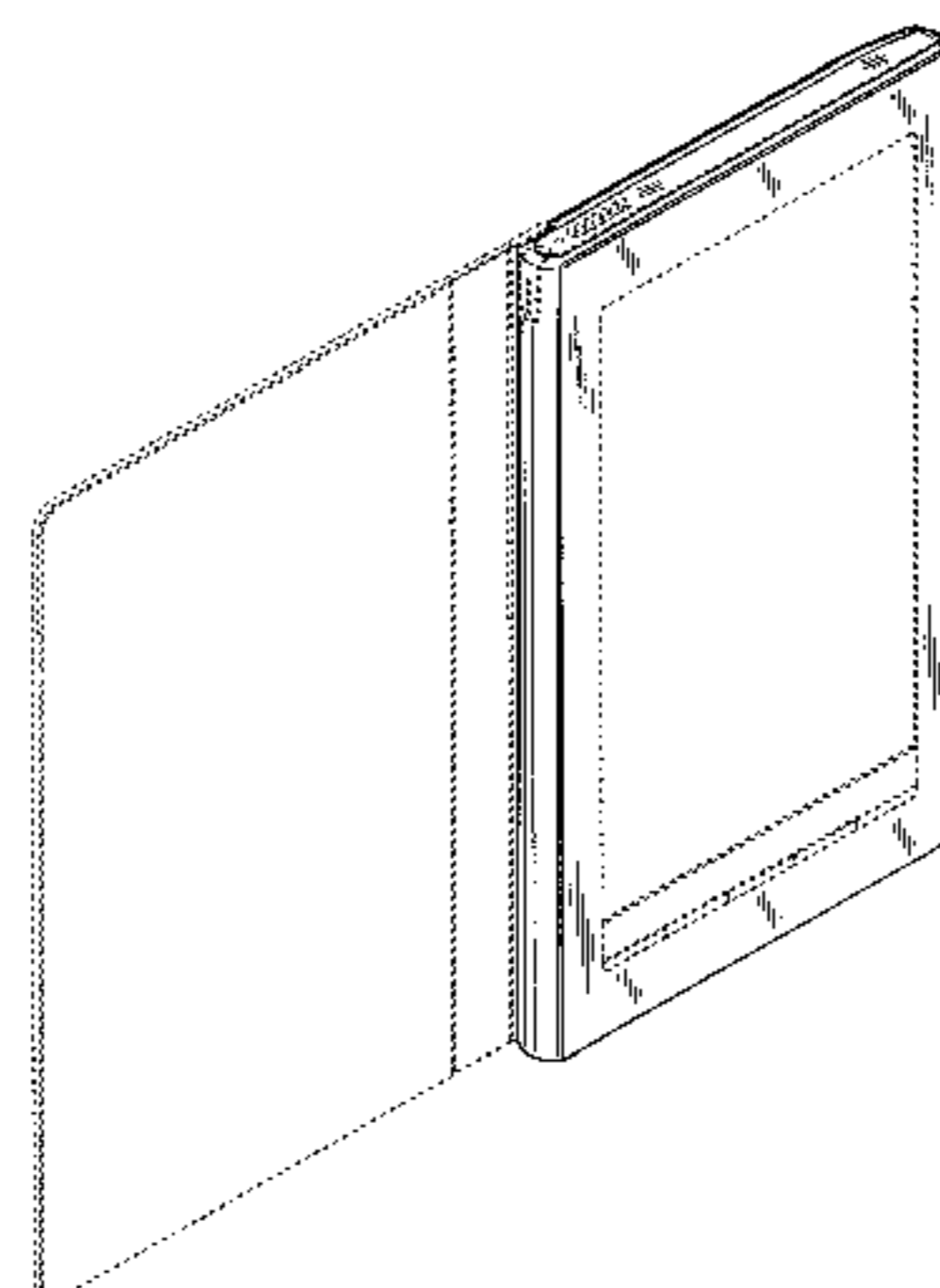
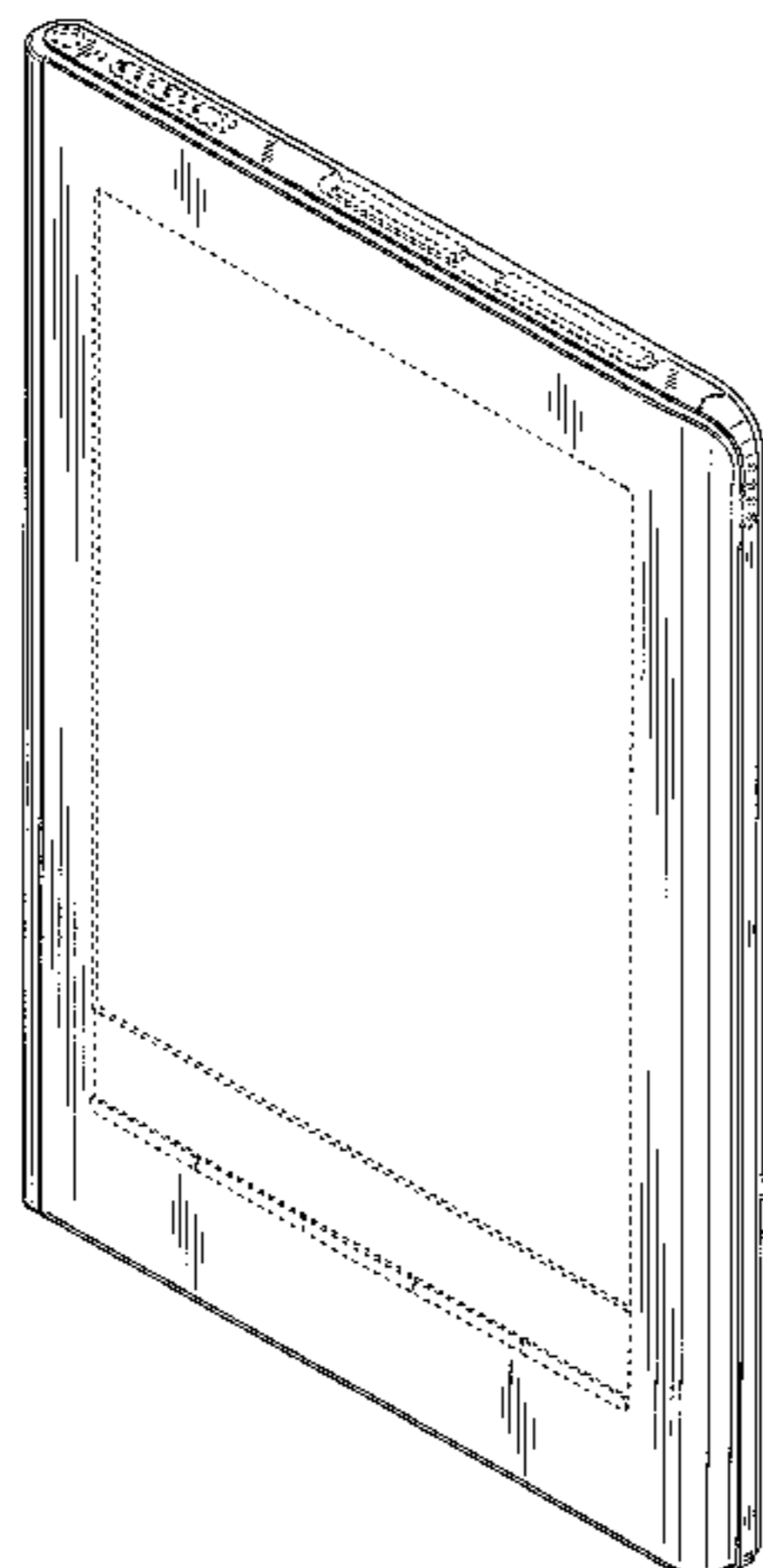


FIG. 16 is a perspective view of still another embodiment of a display for electronic book, showing our new design;

FIG. 17 is a front elevational view thereof;

FIG. 18 is a rear elevational view thereof;

FIG. 19 is a left side elevational view thereof;

FIG. 20 is a right side elevational view thereof;

FIG. 21 is a top plan view thereof; and,

FIG. 22 is a bottom plan view thereof.

The broken lines shown in the drawings are for the purpose of illustrating unclaimed portions of the display for electronic book and form no part of the claimed design.

1 Claim, 22 Drawing Sheets

U.S. PATENT DOCUMENTS

| | | | | | | |
|----------|---|---|---------|--------------|-------|-----------|
| D593,535 | S | * | 6/2009 | Sheba et al. | | D14/203.7 |
| D602,487 | S | * | 10/2009 | Maskatia | | D14/341 |
| D602,491 | S | * | 10/2009 | Jiang et al. | | D14/346 |
| D605,194 | S | * | 12/2009 | Hakoda | | D14/345 |

OTHER PUBLICATIONS

“Reader Digital Book”; www.sonystyle.com, captured Apr. 26, 2010.*

“Reader Touch Edition”, product review Apr. 21, 2010; www.sonystyle.com, captured Apr. 26, 2010.*

“Reader Digital Book,” product review Dec. 23, 2009; www.sonystyle.com, captured Apr. 26, 2010.*

* cited by examiner

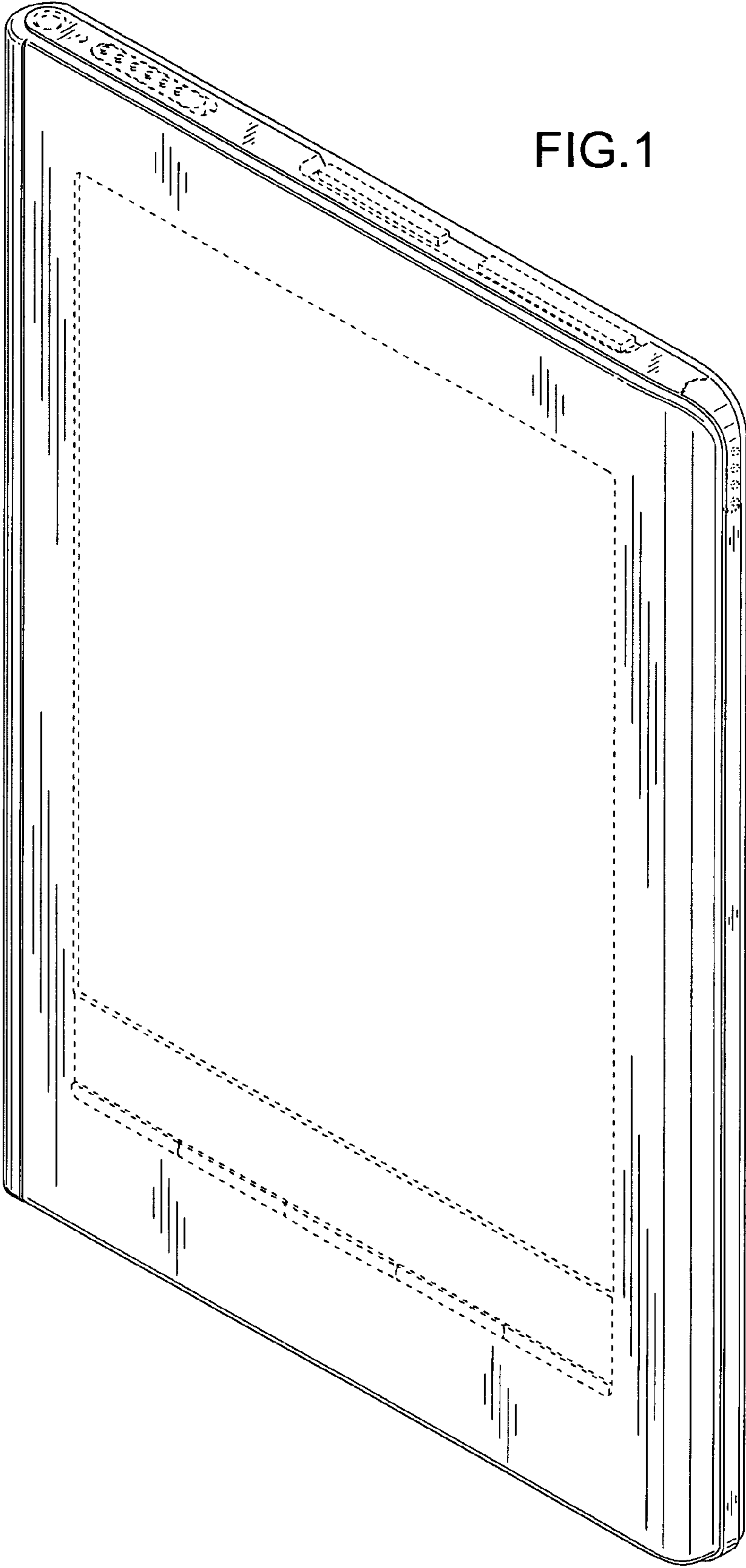


FIG.1

FIG.2

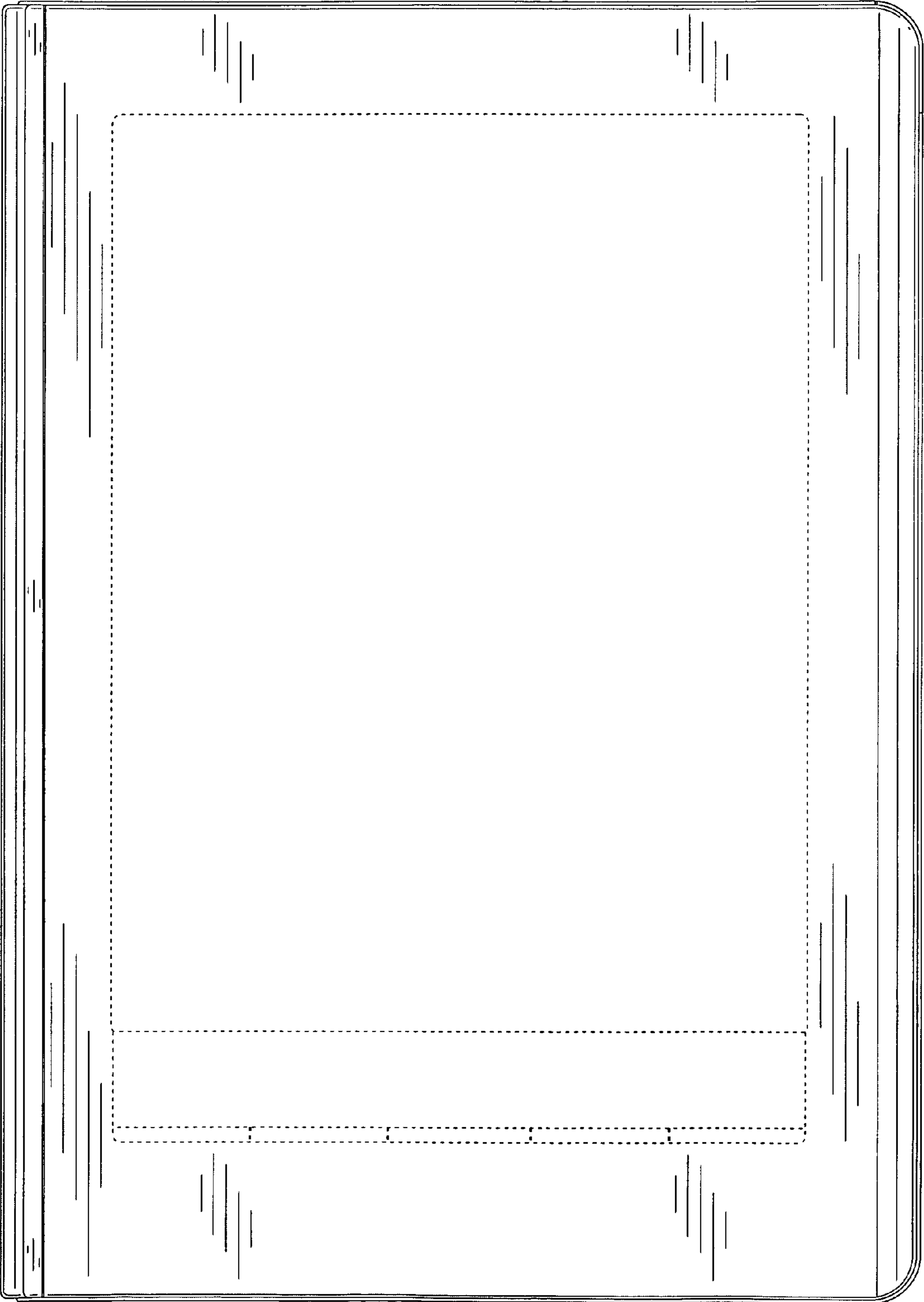


FIG.3

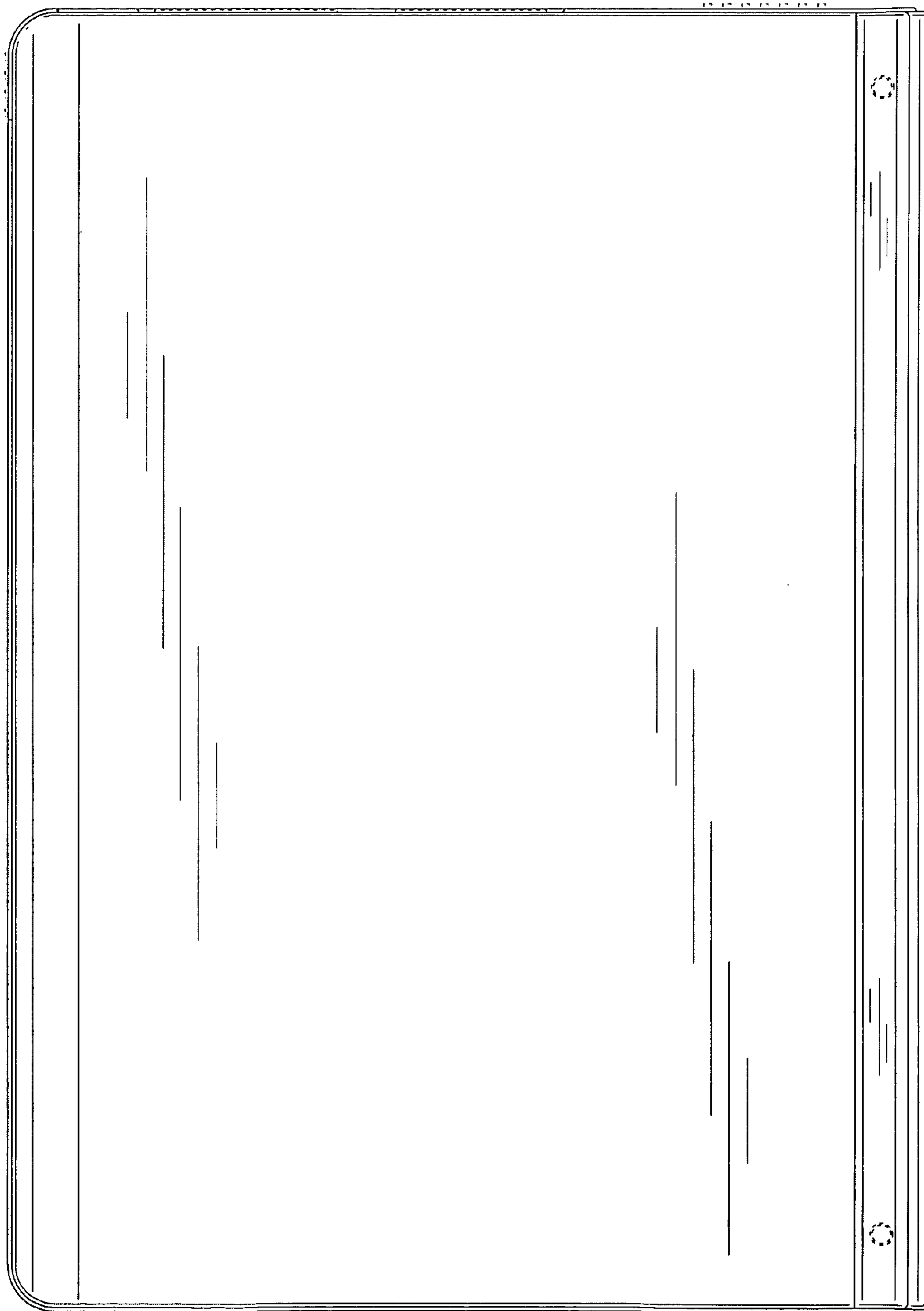


FIG.4

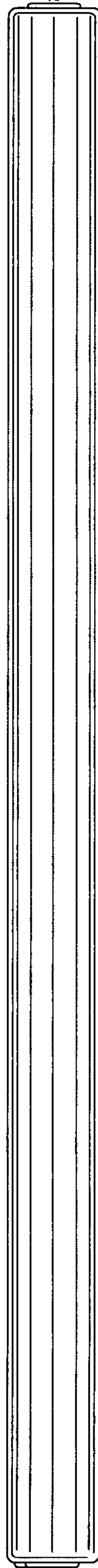


FIG.5

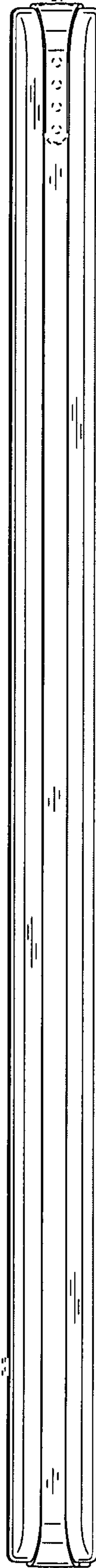


FIG.6

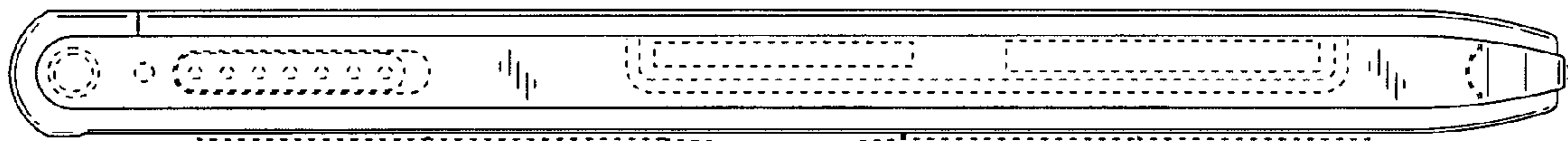


FIG.7

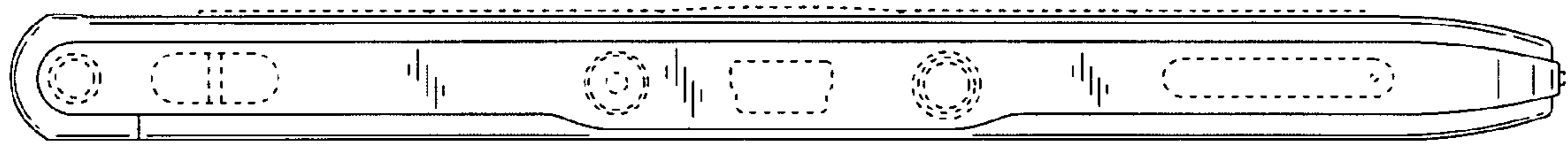
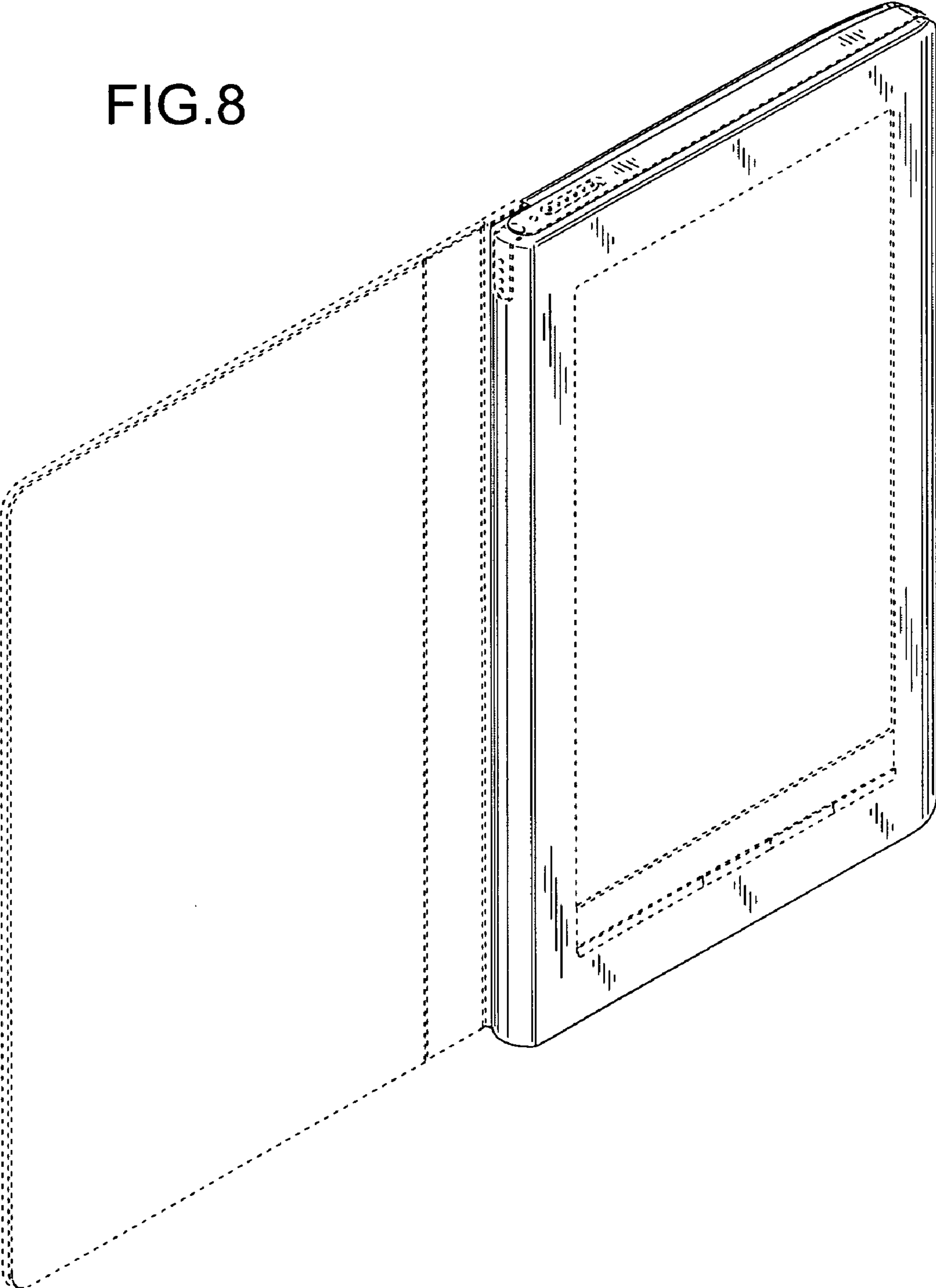


FIG.8



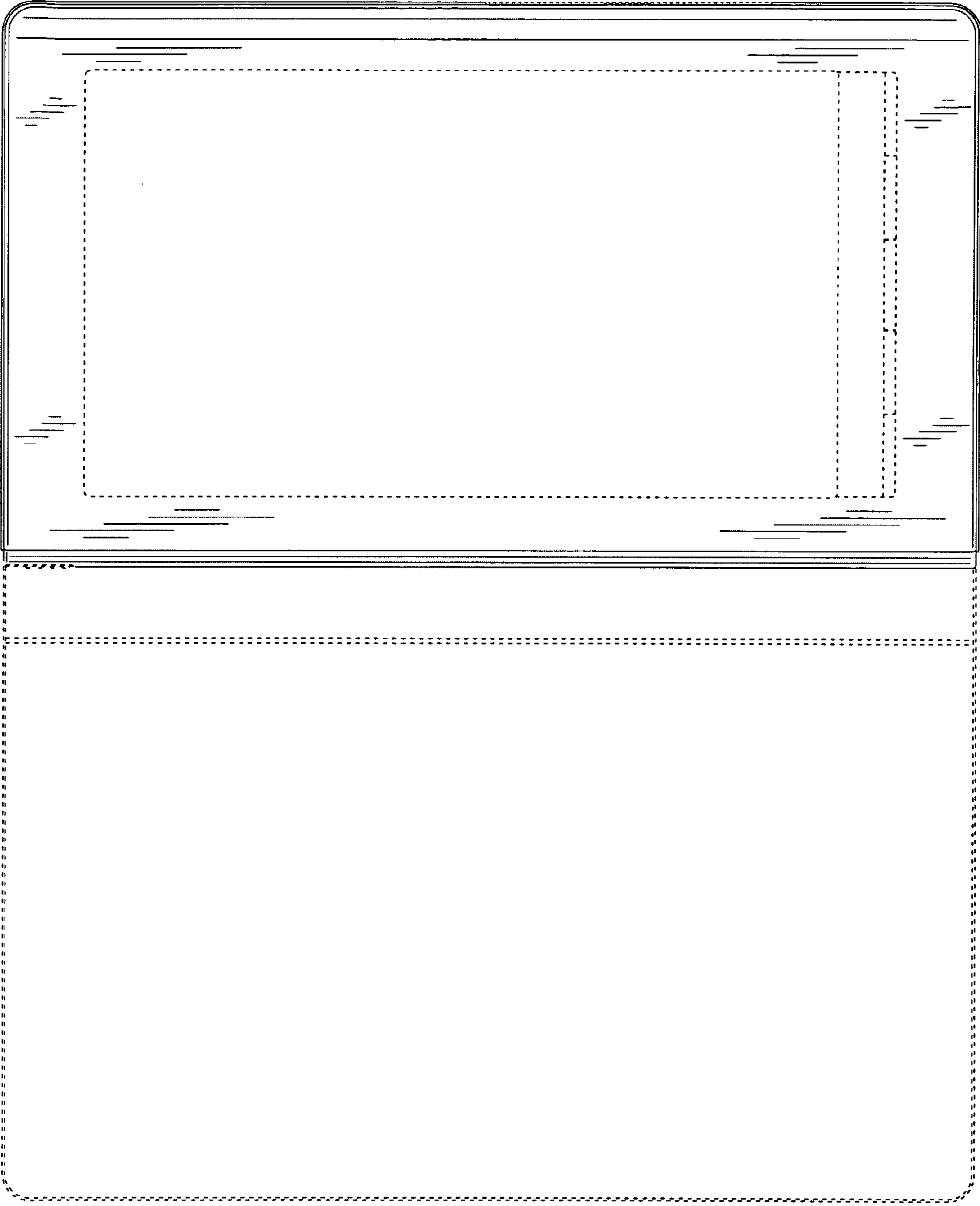


FIG.9

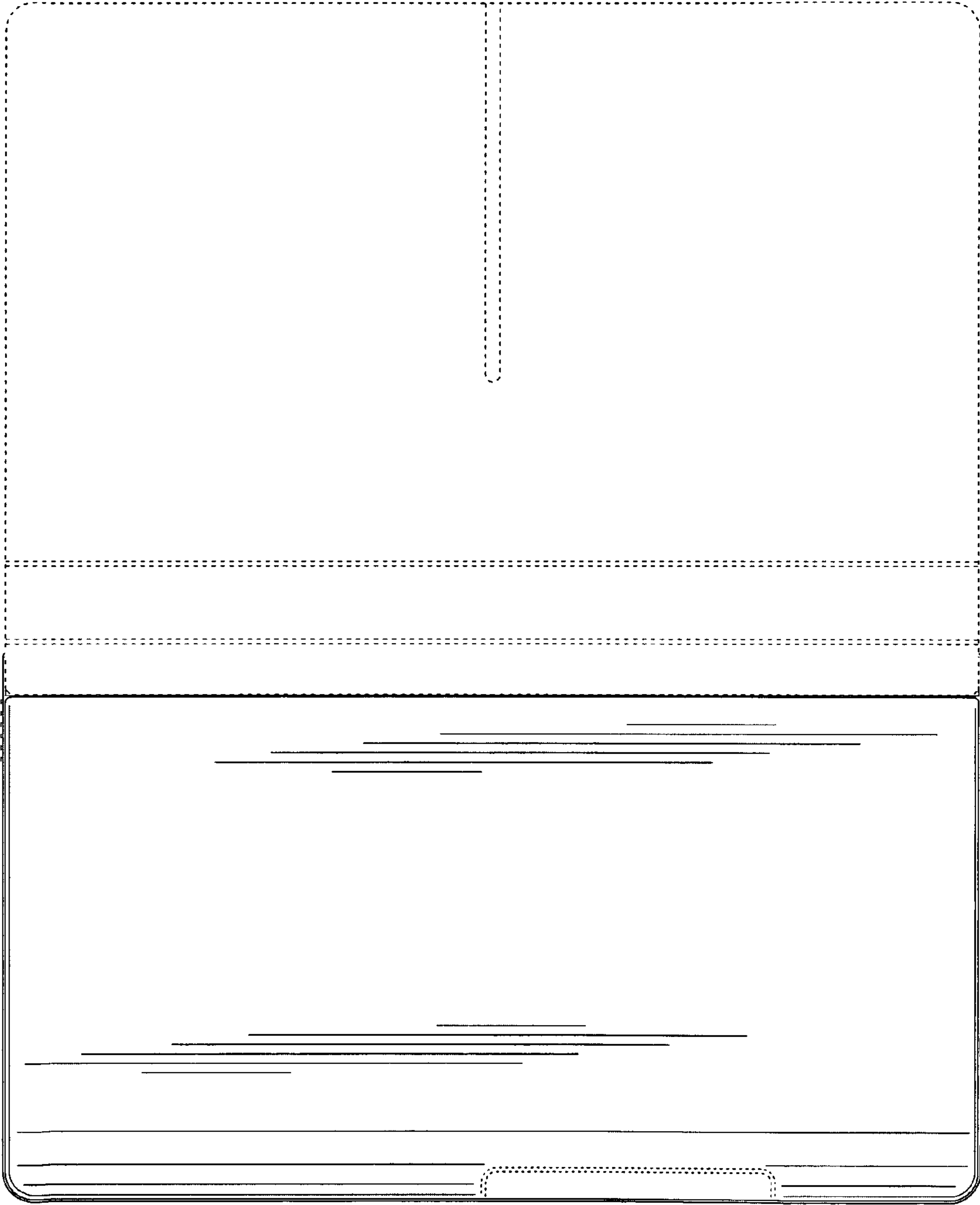


FIG. 10

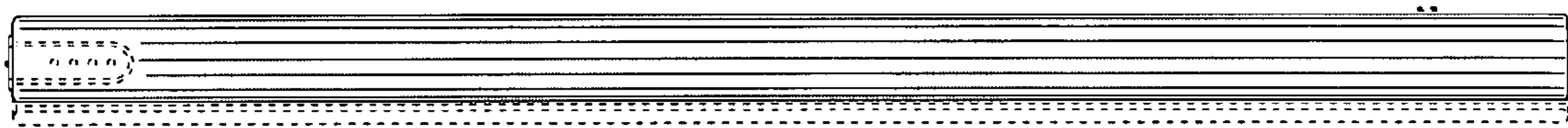


FIG.11

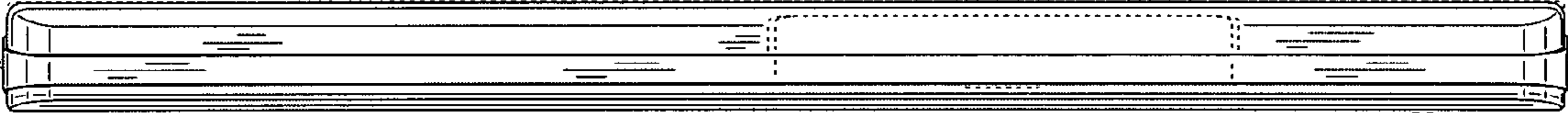


FIG.12

FIG.13

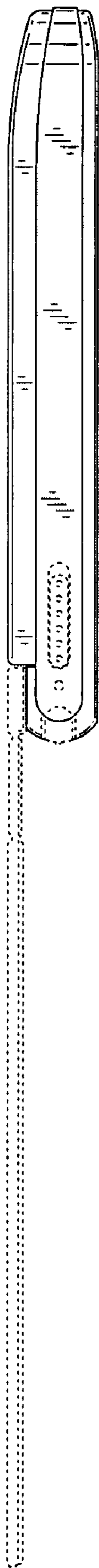


FIG.14

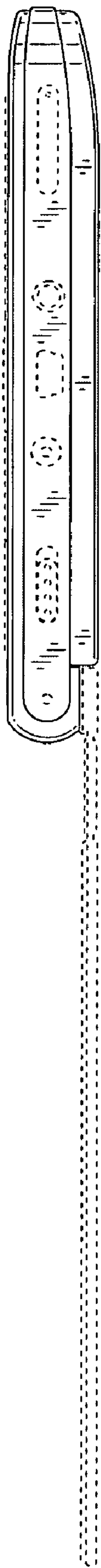
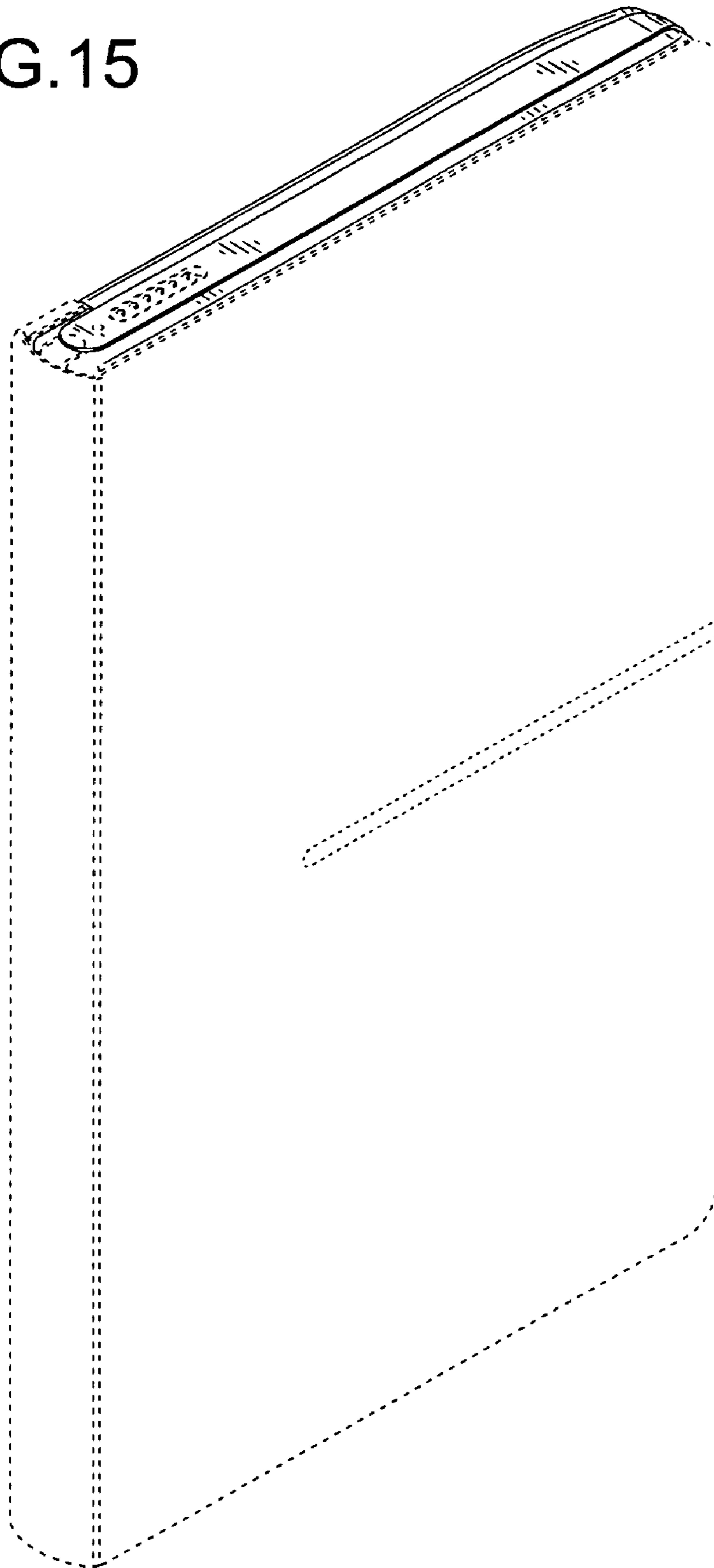


FIG. 15



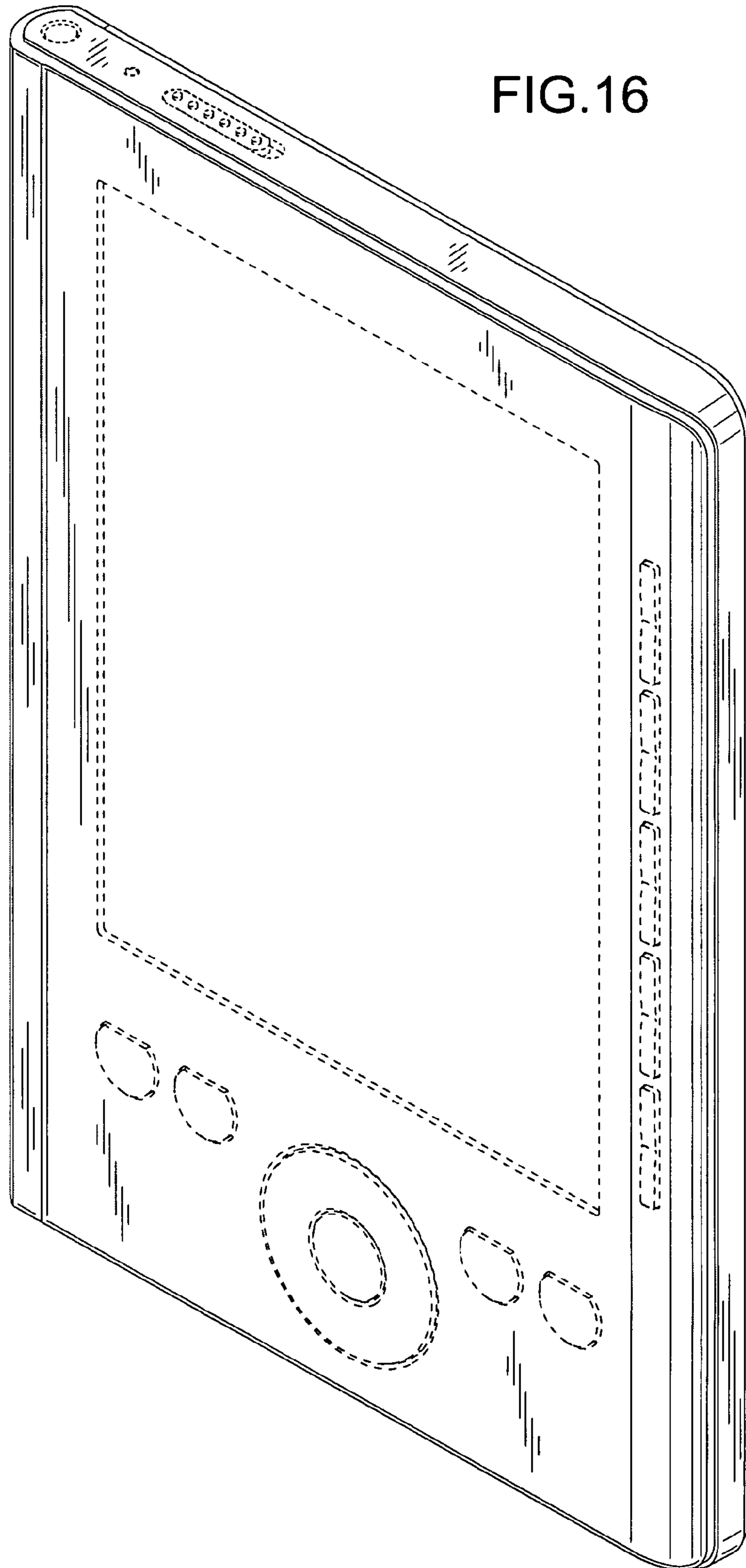


FIG. 16

FIG.17

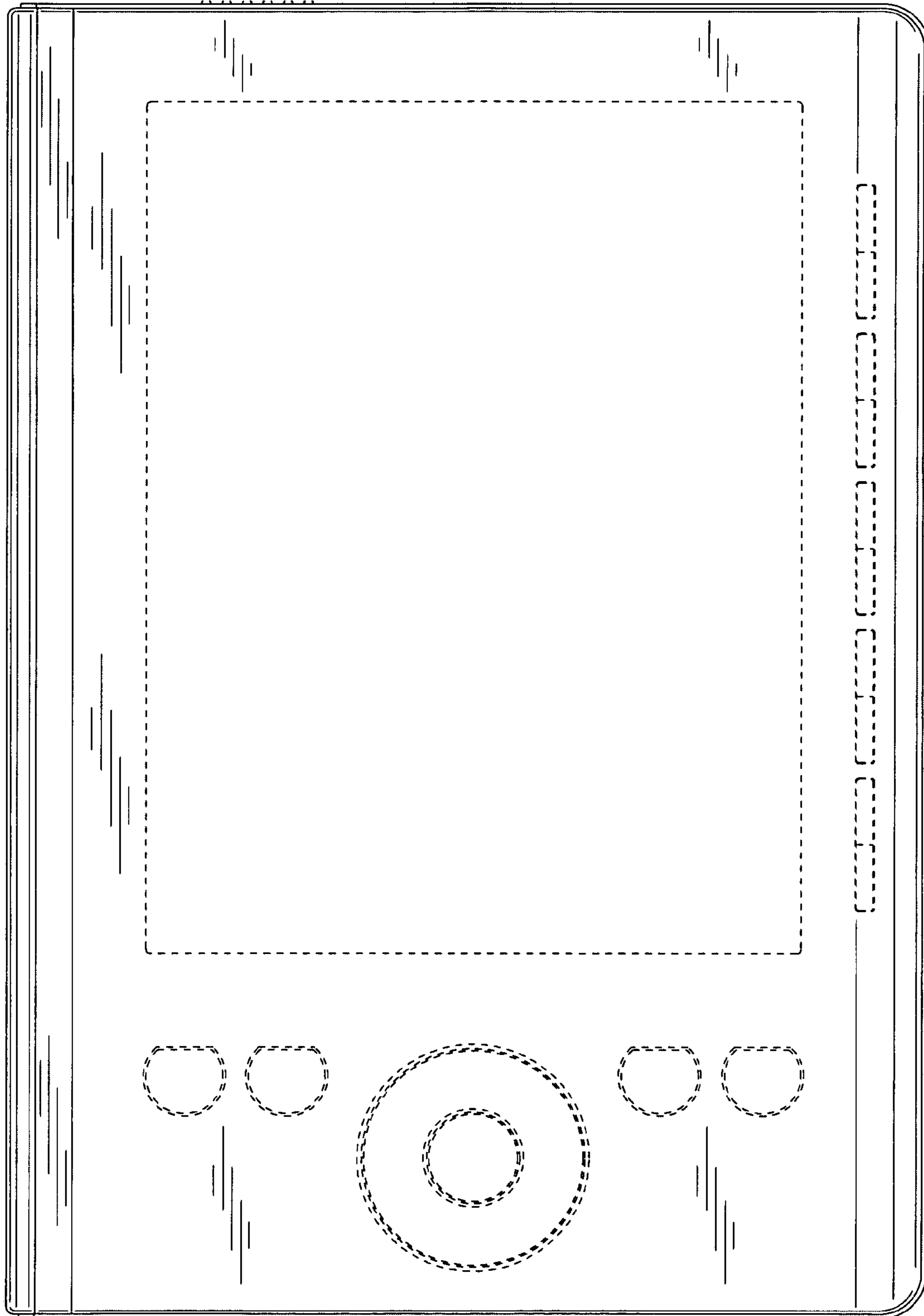


FIG.18

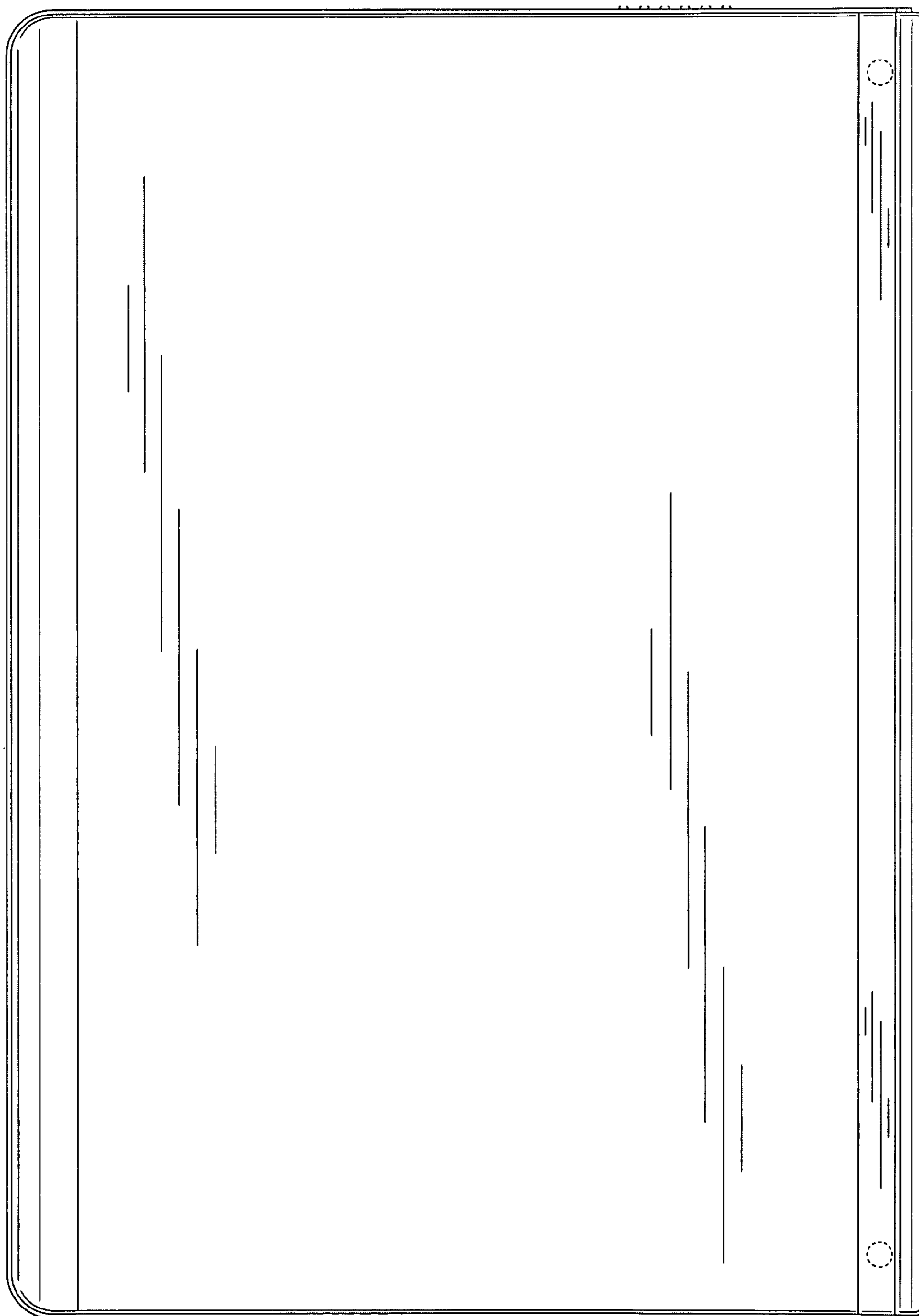


FIG.19

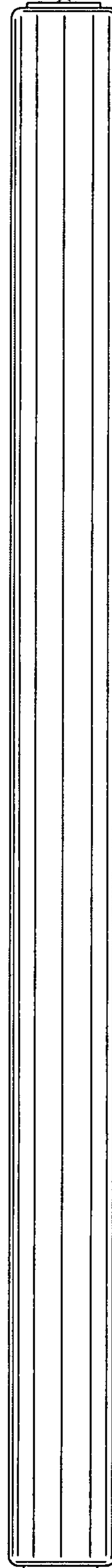


FIG.20

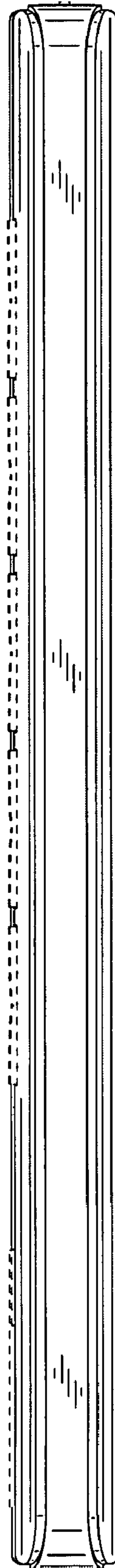


FIG.21

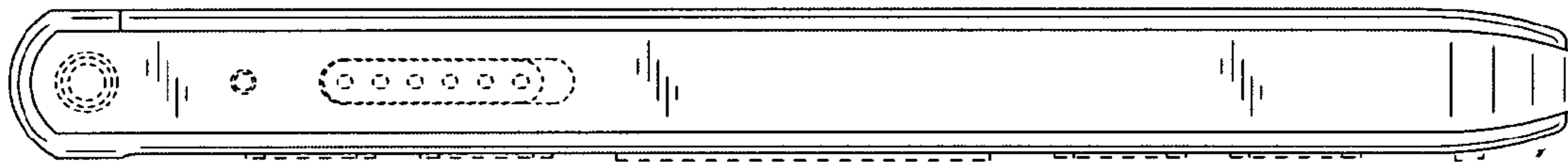


FIG.22

