



US00D629795S

(12) **United States Design Patent**
Wubker et al.

(10) **Patent No.:** **US D629,795 S**

(45) **Date of Patent:** **** Dec. 28, 2010**

(54) **MICROPHONE**

(75) Inventors: **John James Wubker**, Lindenhurst, IL
(US); **Mark B. Breneman**, Boston, MA
(US); **John P. Devlin**, Tewksbury, MA
(US); **Gabor Zaroni**, Cambridge, MA
(US)

(73) Assignee: **Shure Acquisition Holdings, Inc.**,
Niles, IL (US)

(**) Term: **14 Years**

(21) Appl. No.: **29/362,060**

(22) Filed: **May 19, 2010**

(51) **LOC (9) Cl.** **14-01**

(52) **U.S. Cl.** **D14/228**

(58) **Field of Classification Search** D21/513;
D17/99; D16/208; D14/497, 249, 243, 227,
D14/226, 225, 167, 155, 228, 223; 381/369,
381/355, 92, 174; 455/575.2

See application file for complete search history.

(56) **References Cited**

U.S. PATENT DOCUMENTS

D135,303 S *	3/1943	Scher	D14/249
D144,929 S *	6/1946	Metzger	D21/513
D151,809 S *	11/1948	Dreyfuss	D14/228
2,452,830 A *	11/1948	Braun	200/505
2,848,561 A	8/1958	Gorike et al.	
2,910,539 A *	10/1959	Hartsfield	381/174
D224,977 S *	10/1972	Lieberman	D21/513
D239,722 S *	4/1976	Schmidt	D14/228
D283,891 S *	5/1986	Parshad et al.	D14/228
D307,275 S *	4/1990	Pollard	D14/249
D307,753 S *	5/1990	Oliver	D14/249
D413,602 S *	9/1999	Chen	D14/228
D470,130 S	2/2003	Bigeh	
D475,040 S *	5/2003	LaPoint	D14/228
D504,126 S	4/2005	Saulespurens et al.	
D529,484 S	10/2006	Probst	

D530,706 S *	10/2006	Gustafson et al.	D14/228
D551,661 S	9/2007	Probst et al.	
D574,368 S *	8/2008	Chapman	D14/225
D593,547 S *	6/2009	Kim et al.	D14/223
D595,270 S *	6/2009	Andre et al.	D14/223
D610,130 S *	2/2010	Bridge et al.	D14/223

OTHER PUBLICATIONS

Violet Design USA, <http://www.violetusa.com/products.php>, Professional Electrostatic Microphones, last viewed: Mar. 2, 2010.
Sontronics, <http://www.sontronics.com/omega.htm>, Omega valve condenser microphone, Last viewed: Mar. 2, 2010.
The Microphone Vault, <http://www.themicrophonevault.com/ehtm.php>, Electro-Harmonix EH-TM Vacuum Tube Studio Condenser, Last viewed: Mar. 2, 2010.

(Continued)

Primary Examiner—Austin Murphy

(74) *Attorney, Agent, or Firm*—Banner & Witcoff, Ltd.

(57) **CLAIM**

The ornamental design for a microphone, as shown and described.

DESCRIPTION

FIG. 1 is a top, front, right perspective view of a microphone showing our new design;

FIG. 2 is a front view thereof;

FIG. 3 is a right side view thereof;

FIG. 4 is a rear view thereof;

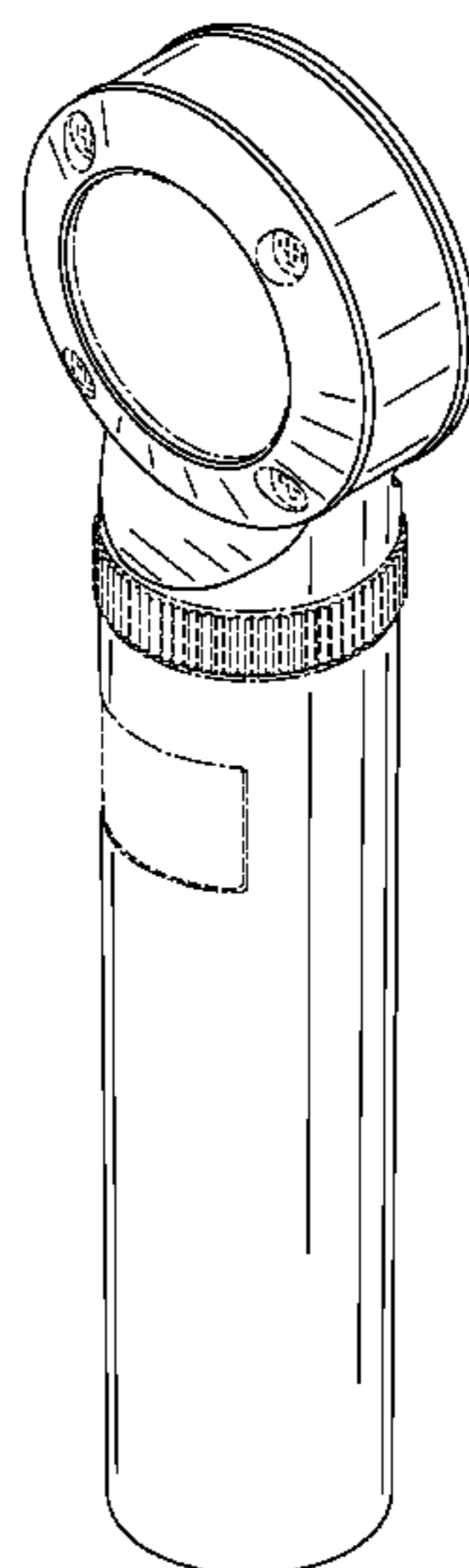
FIG. 5 is a left side view thereof;

FIG. 6 is a top view thereof; and,

FIG. 7 is a bottom view thereof.

The dash-dot-dash broken lines represent the unclaimed boundaries of the claimed design. The uniformly spaced broken lines represent portions of the microphone that form no part of the claimed design.

1 Claim, 6 Drawing Sheets



OTHER PUBLICATIONS

Recording Hacks, <http://recordinghacks.com/microphones/Neumann/CMV-563>, Neumann CMV-563, discontinued Detachable-Capsule Condenser Tube Microphone and compatible capsules, Last Viewed: Mar. 2, 2010.

Blue Microphones, <http://www.bluemic.com/proaudio/bottleseries.html>, Bottle Series, Last viewed: Mar. 2, 2010.

Lauten Audio, <http://www.lautenaudio.com/horizon-tube-microphone.htm>, Horizon Tube Condenser Microphone, Horizon LT-321, Last viewed: Mar. 2, 2010.

Blue Microphones, <http://www.bluemic.com/proaudio/applicationseries.html>, Application Specific Series, Last viewed: Mar. 2, 2010.

ZZOUND.COM, <http://www.zzounds.com/item--AUDSCX25A>, Audix SCX25A Studio condenser Microphone, Last viewed: Mar. 2, 2010.

Studio Projects, http://www.studioprojects.com/cs_series.html, CS-Series, Last viewed: Mar. 2, 2010.

* cited by examiner

Fig. 1

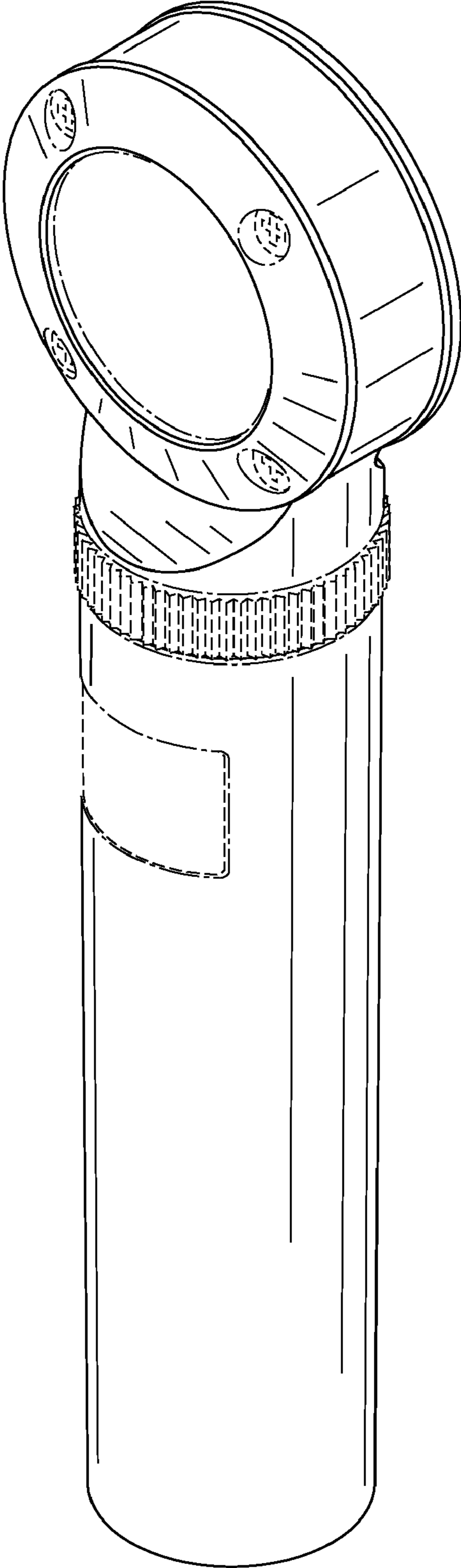


Fig. 2

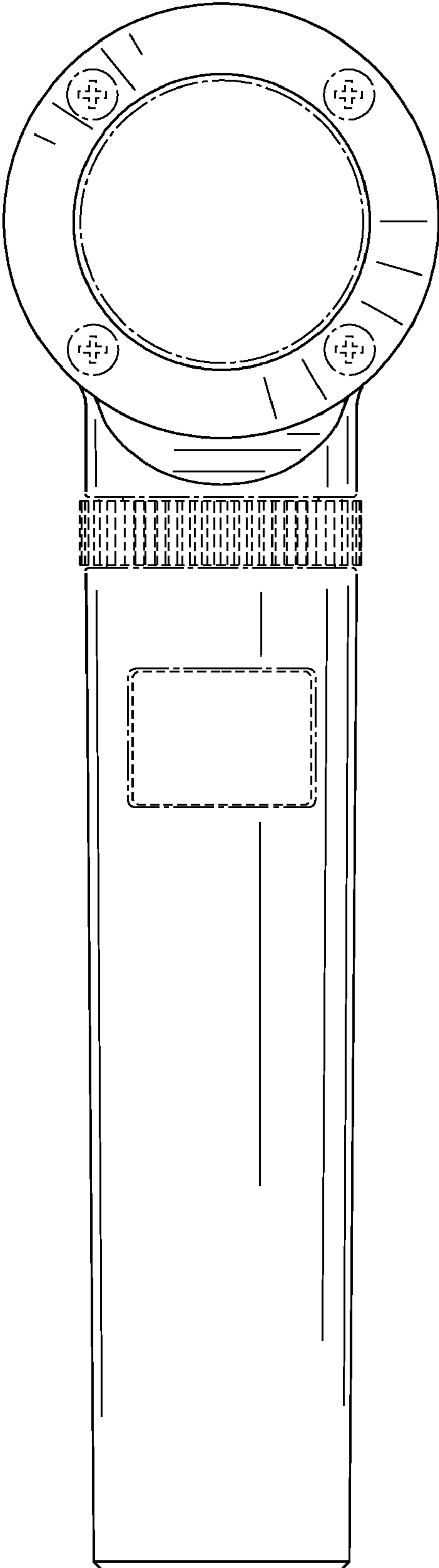


Fig. 3

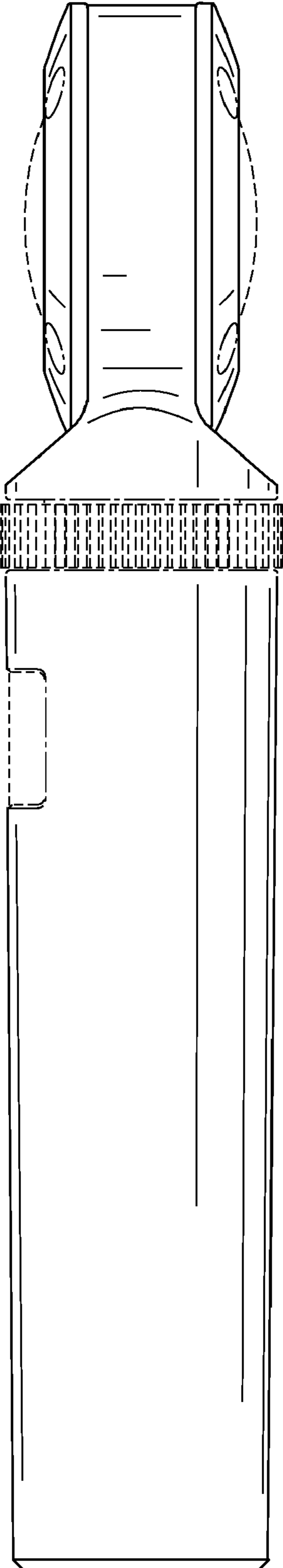


Fig. 4

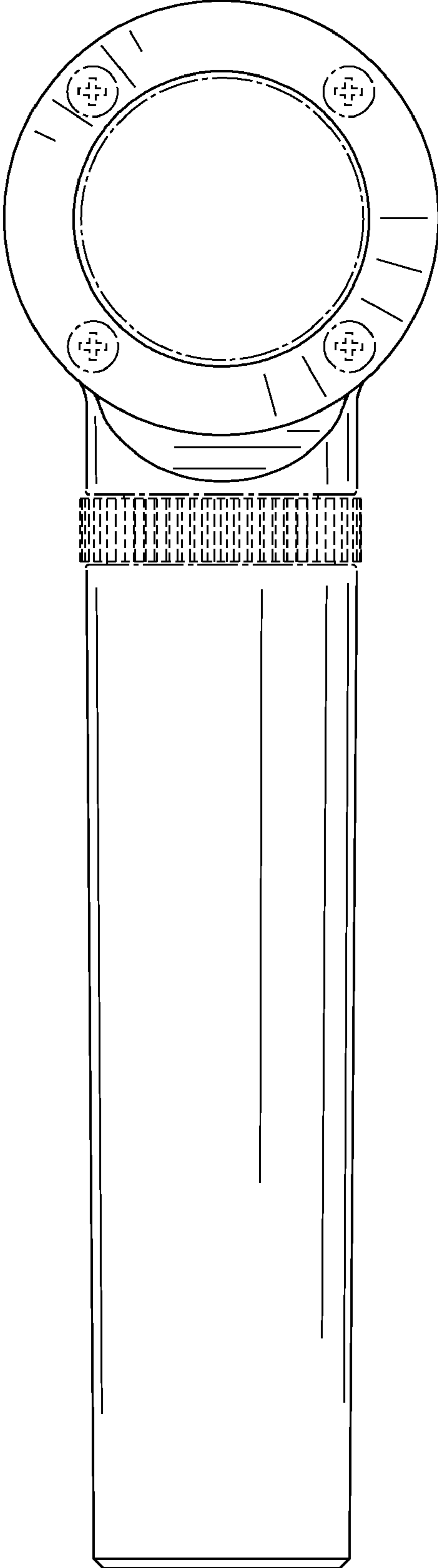


Fig. 5

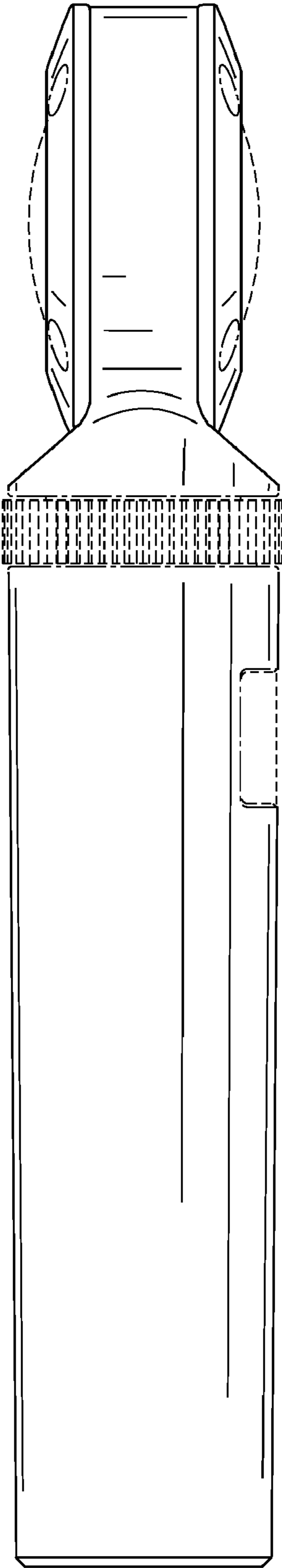


Fig. 6

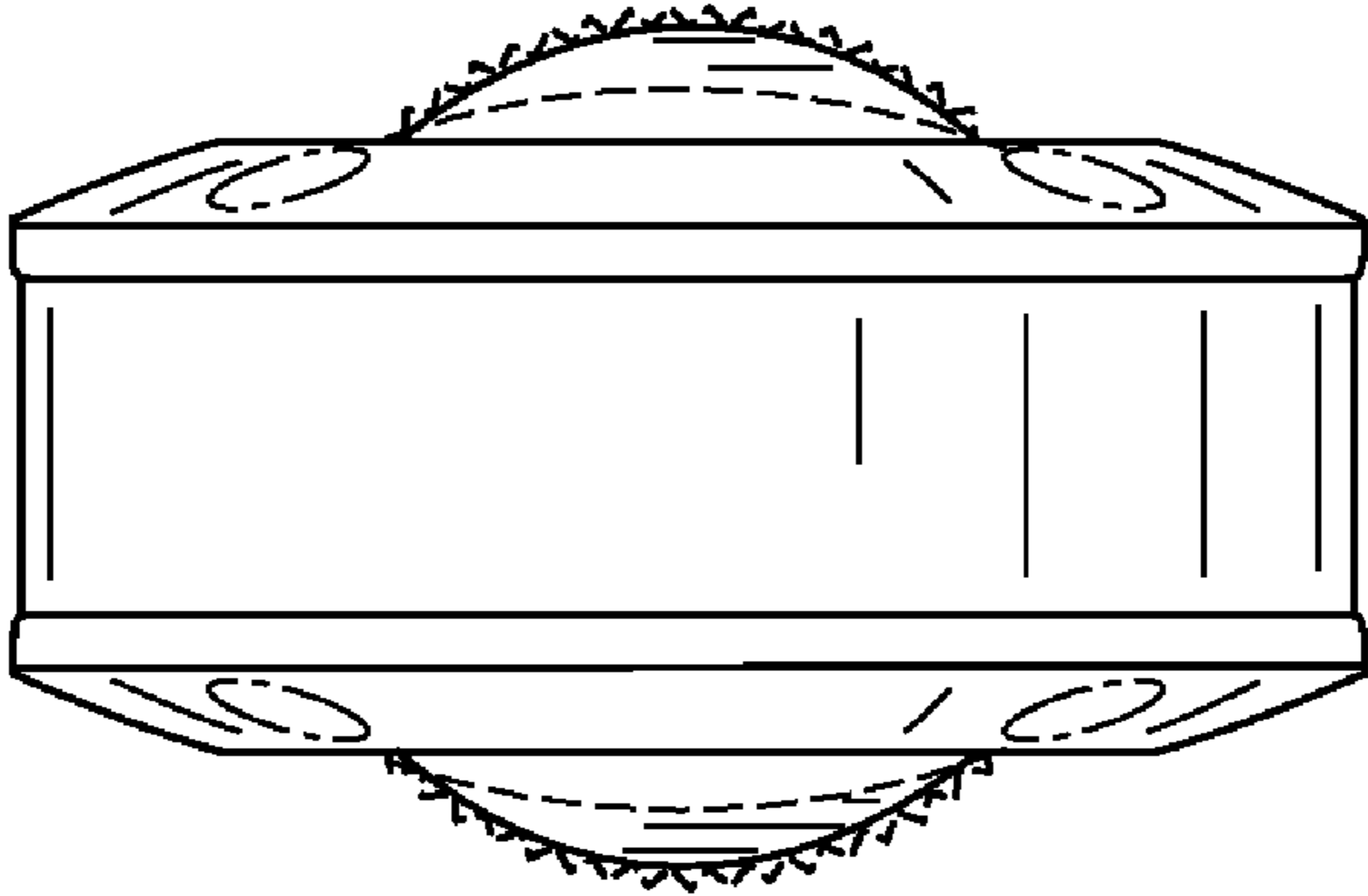


Fig. 7

