



US00D629791S

(12) **United States Design Patent**
Wang et al.

(10) **Patent No.:** **US D629,791 S**

(45) **Date of Patent:** **** Dec. 28, 2010**

(54) **SPEAKER**

(75) Inventors: **Bowman Wang**, Ben Lomond, CA (US);
Minsung Kwon, San Jose, CA (US)

(73) Assignee: **Altec Lansing, LLC**, Milford, PA (US)

(**) Term: **14 Years**

(21) Appl. No.: **29/342,915**

(22) Filed: **Sep. 2, 2009**

(51) **LOC (9) Cl.** **14-01**

(52) **U.S. Cl.** **D14/216**

(58) **Field of Classification Search** D14/204,
D14/207, 209, 209.1, 210–216, 172; 181/143–144,
181/147–148, 150–153, 157, 198–199; 381/300–303,
381/306, 332–333, 336, 345, 361–364, 386–388
See application file for complete search history.

(56) **References Cited**

U.S. PATENT DOCUMENTS

D199,676 S * 12/1964 Reed D14/215
D229,068 S * 11/1973 Engle D14/212
D510,339 S * 10/2005 Taylor D14/215

D531,167 S * 10/2006 Harries D14/215
D541,790 S * 5/2007 Yoon D14/215
D548,726 S * 8/2007 Ng et al. D14/214
D589,940 S * 4/2009 Jacobs et al. D14/214

* cited by examiner

Primary Examiner—Nanda Bondade

(74) *Attorney, Agent, or Firm*—Greenberg Traurig LLP

(57) **CLAIM**

The ornamental design for a speaker, as shown and described.

DESCRIPTION

FIG. 1 is a perspective view of a speaker showing our new design;

FIG. 2 is a top view thereof;

FIG. 3 is a bottom view thereof;

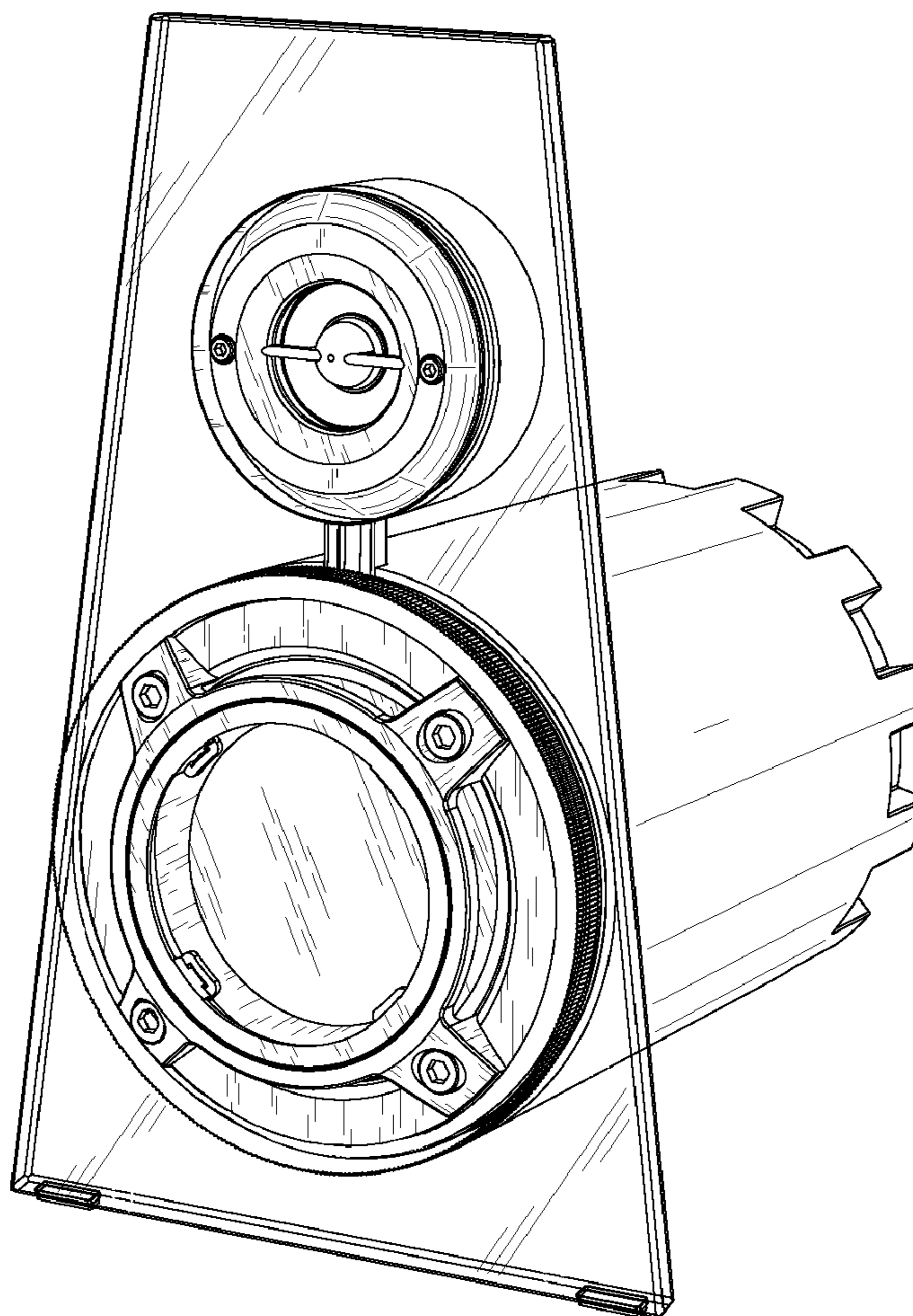
FIG. 4 is a right side view thereof;

FIG. 5 is a left side view thereof;

FIG. 6 is a rear view thereof; and,

FIG. 7 is a front view thereof.

1 Claim, 4 Drawing Sheets



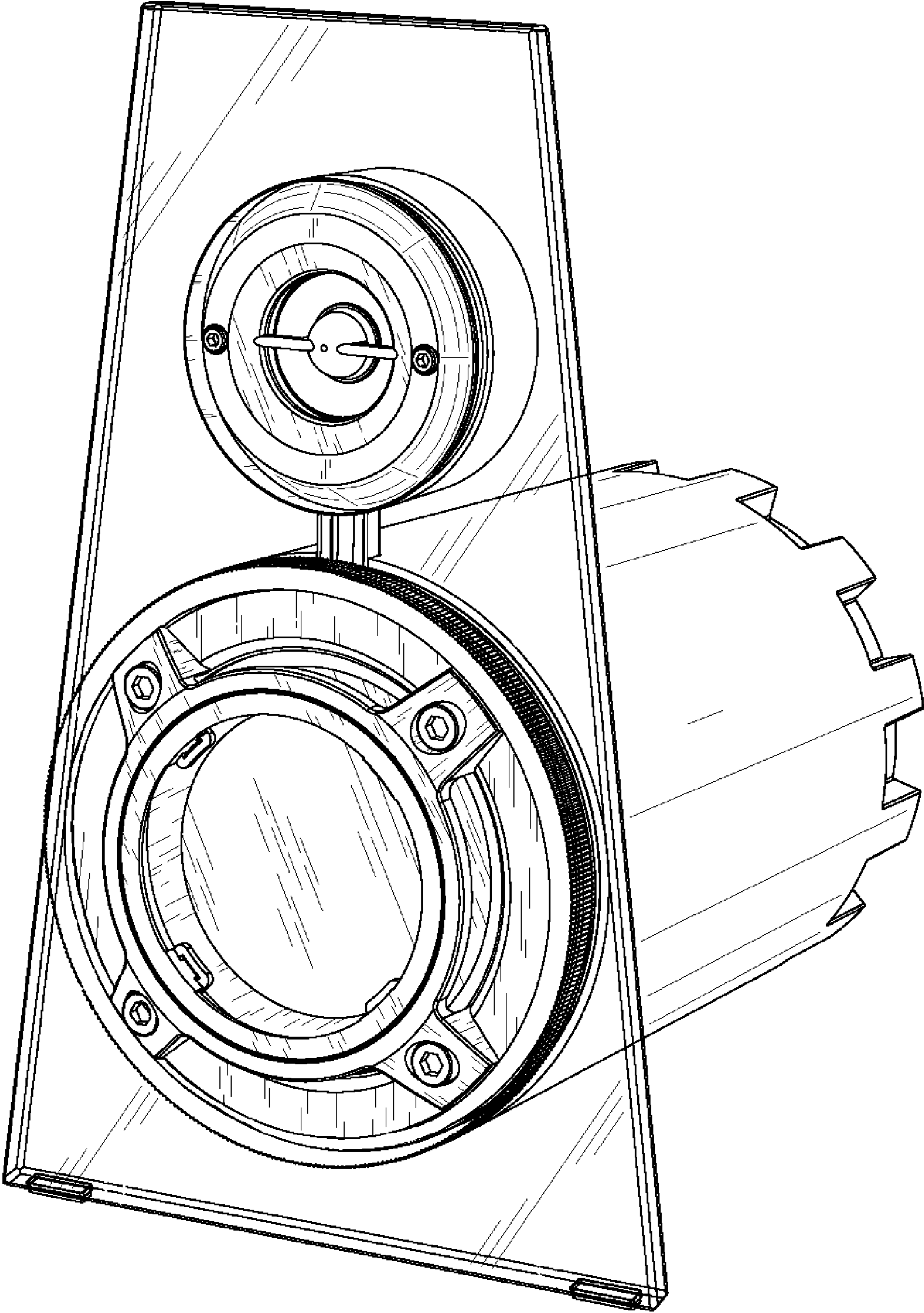


FIG. 1

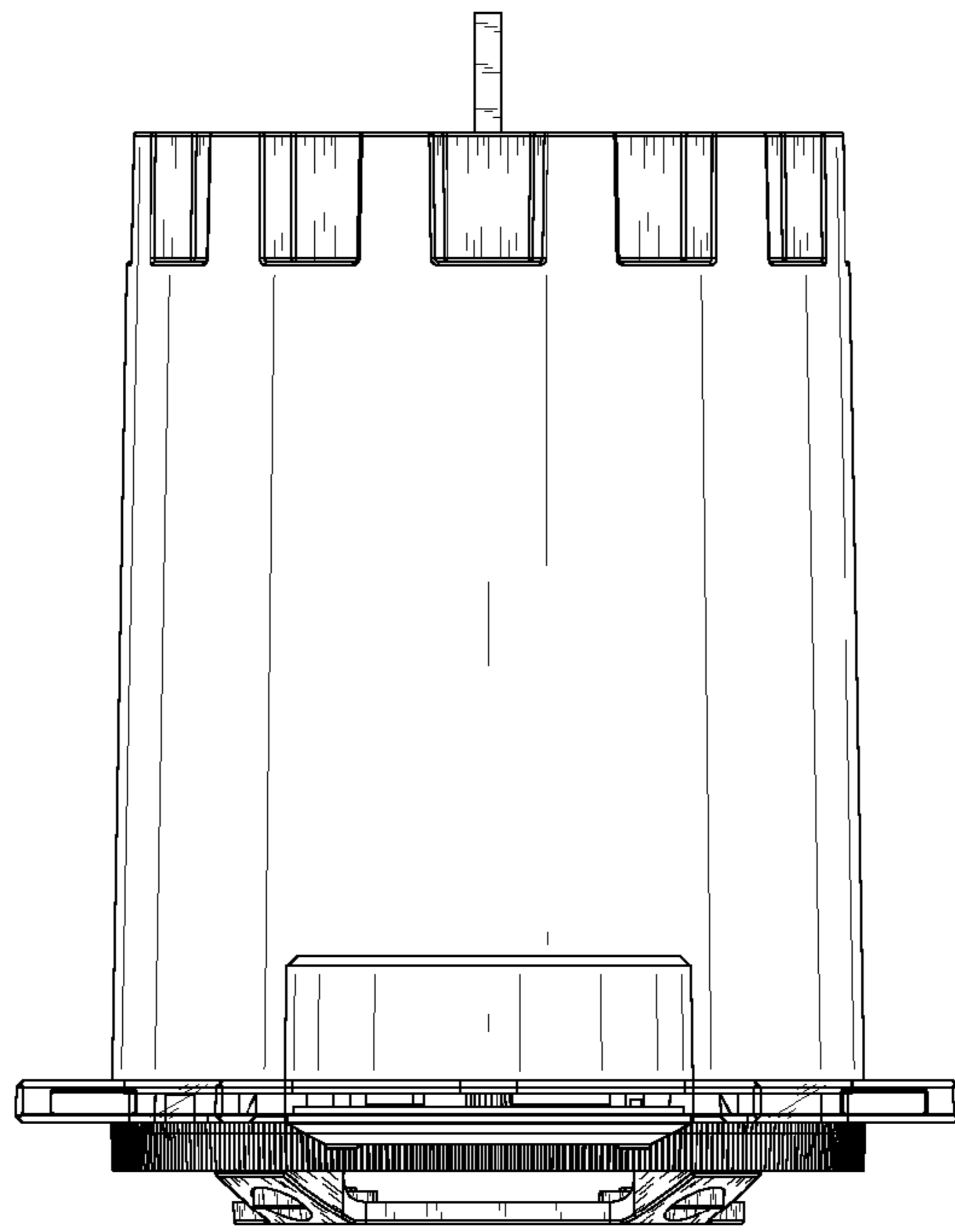


FIG. 2

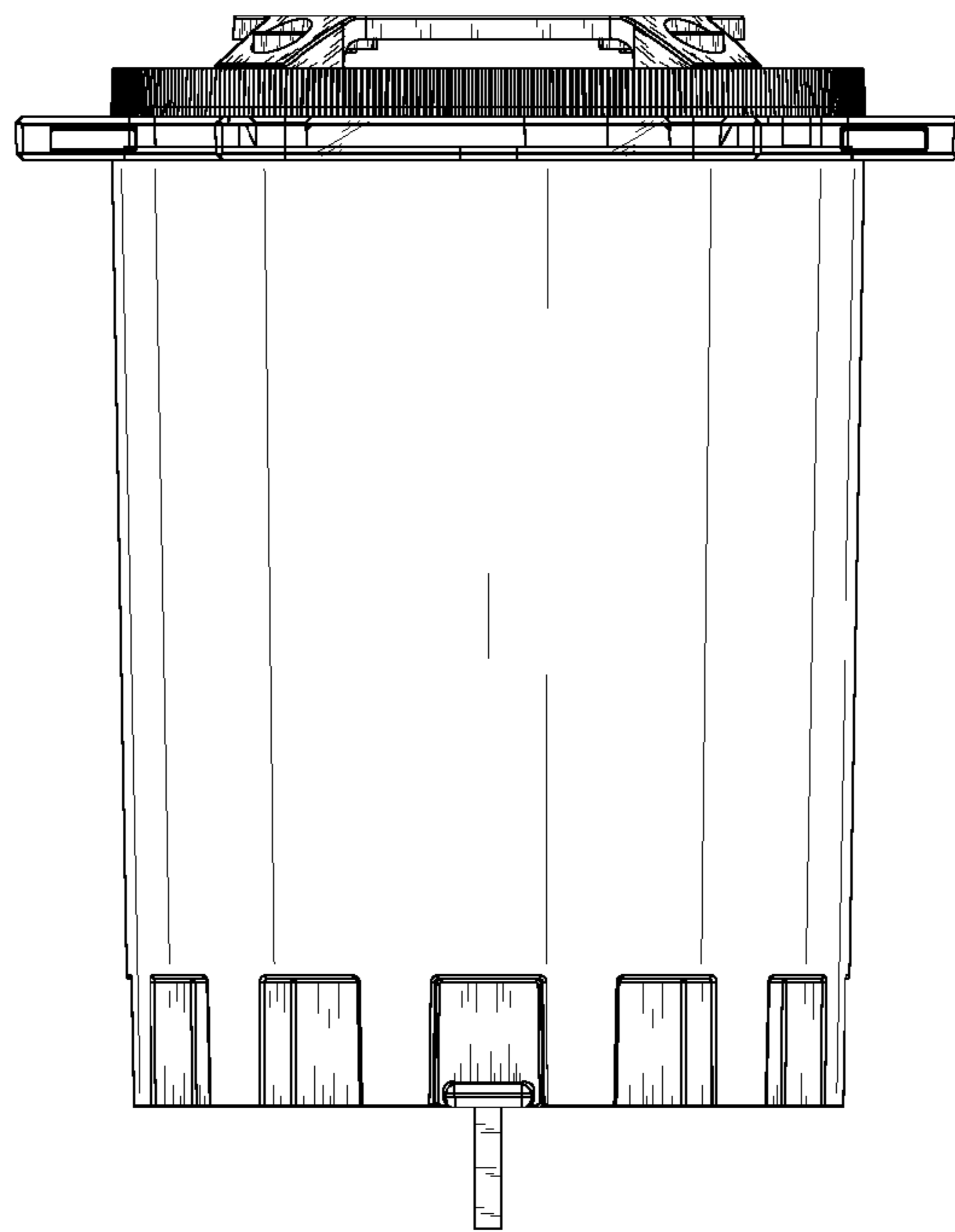


FIG. 3

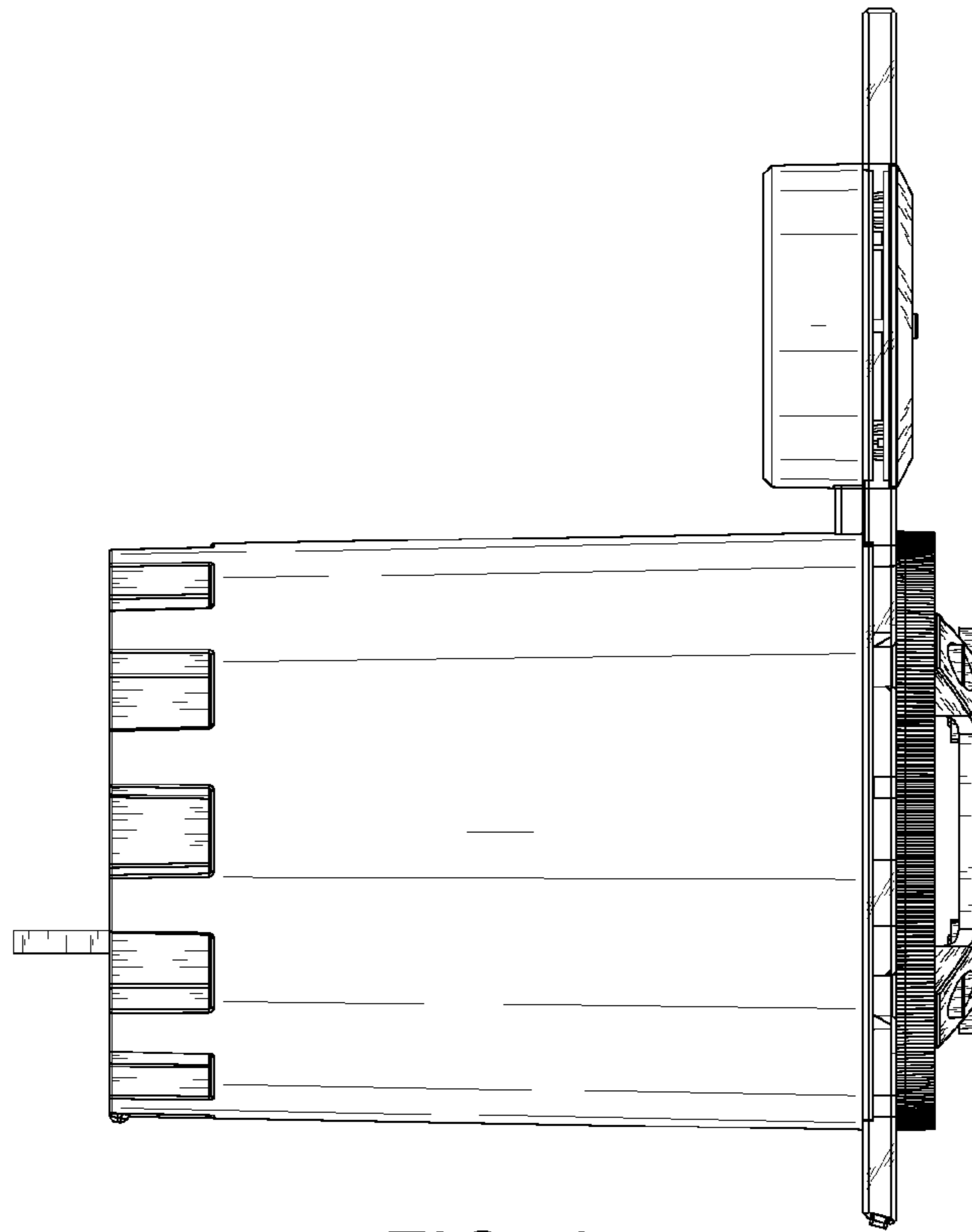


FIG. 4

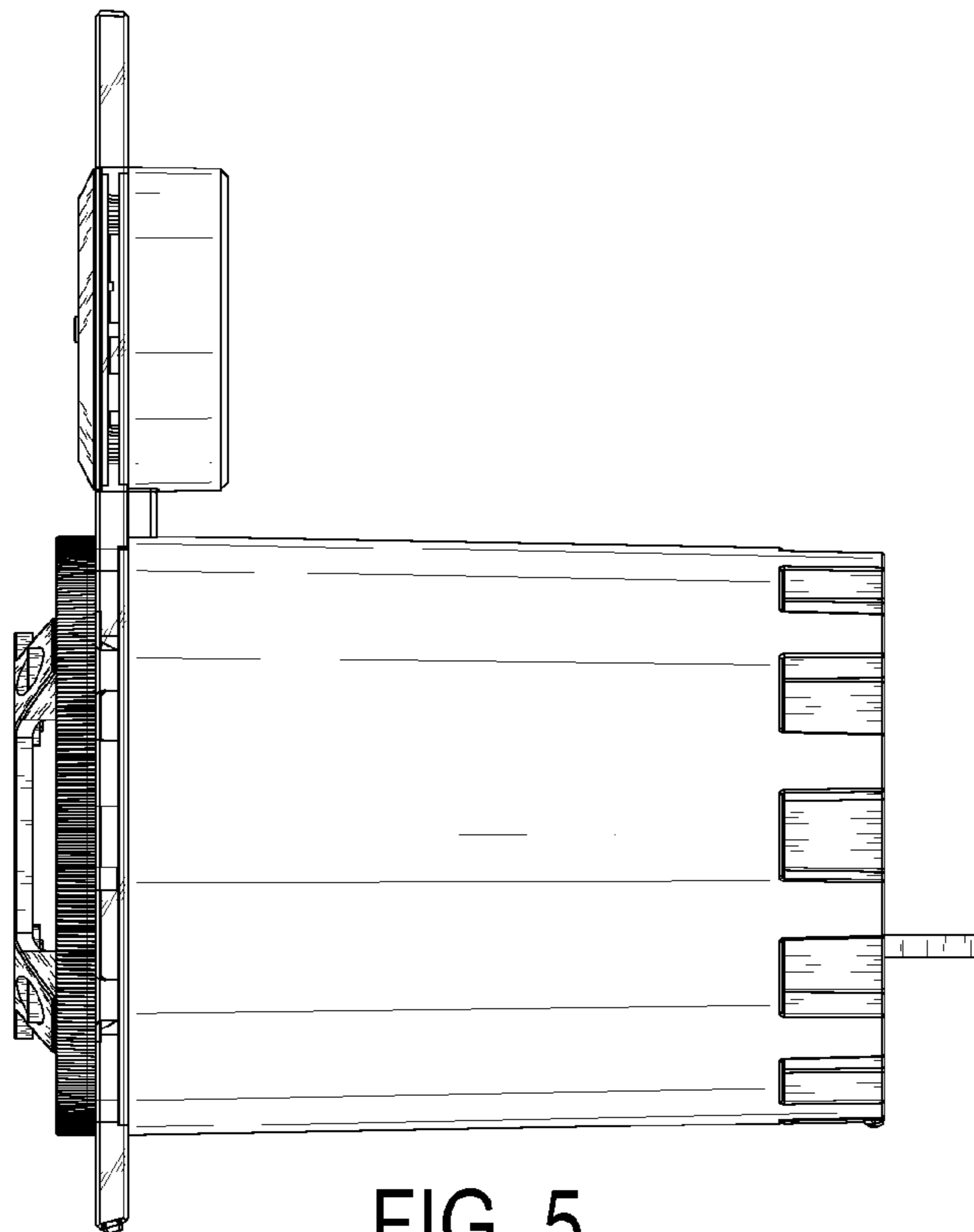


FIG. 5

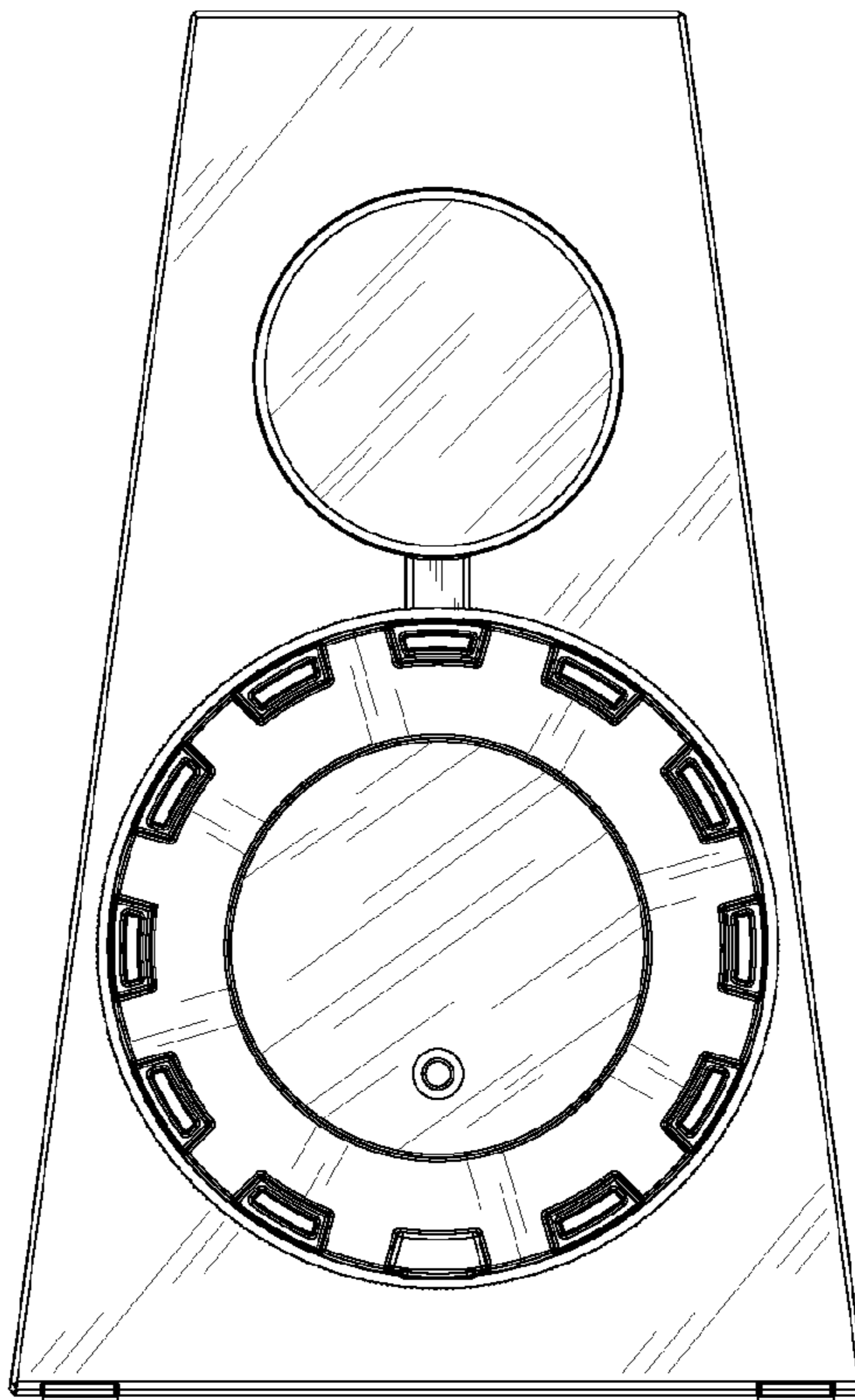


FIG. 6

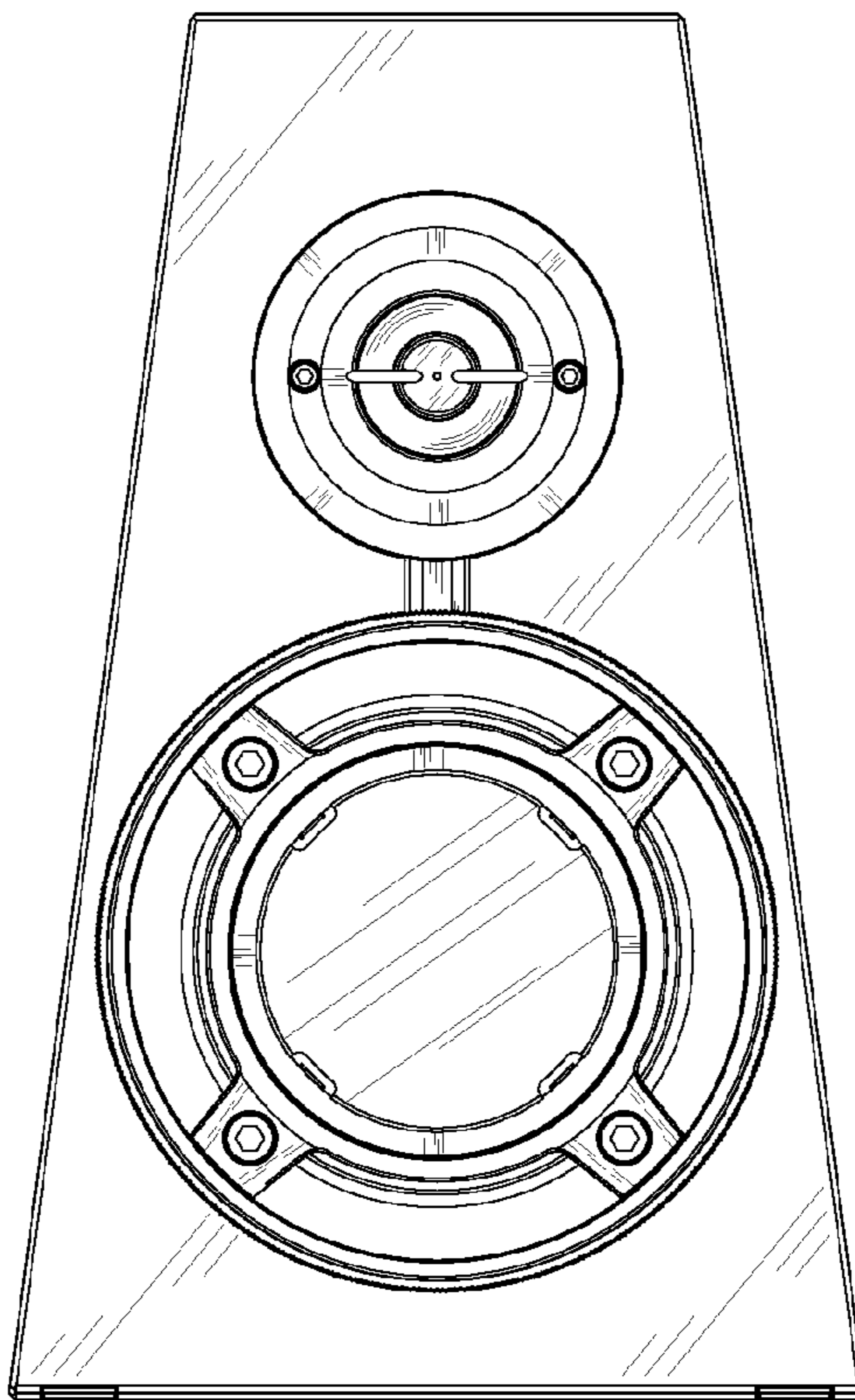


FIG. 7