



US00D629785S

(12) **United States Design Patent**
Yachida et al.

(10) **Patent No.:** **US D629,785 S**

(45) **Date of Patent:** **** Dec. 28, 2010**

(54) **PORTABLE TERMINAL WITH SENSORS FOR RECORDING DATA OF ACTIVITIES**

(75) Inventors: **Takashi Yachida**, Tokyo (JP); **Norio Ohkubo**, Tokyo (JP)

(73) Assignee: **Hitachi High-Technologies Corporation**, Tokyo (JP)

(**) Term: **14 Years**

(21) Appl. No.: **29/341,495**

(22) Filed: **Aug. 6, 2009**

(30) **Foreign Application Priority Data**

Feb. 24, 2009 (JP) 2009-003804

(51) **LOC (9) Cl.** **14-01**

(52) **U.S. Cl.** **D14/167; D14/188; D14/155**

(58) **Field of Classification Search** D14/163, D14/167, 171, 188, 194, 201, 240, 251, 500, D14/106, 155, 199, 203.1, 203.7, 204, 210, D14/215, 265, 299; D10/106; D3/276, 282; 455/2.01; 369/11; 360/137

See application file for complete search history.

(56) **References Cited**

U.S. PATENT DOCUMENTS

D206,556 S *	12/1966	Wolf et al.	D14/201
3,899,795 A *	8/1975	Watanabe	360/137
4,064,374 A *	12/1977	Sato	369/11
D256,013 S *	7/1980	Culbertson	D14/163
D329,138 S *	9/1992	Hsieh	D3/283
D347,731 S *	6/1994	Hayakawa et al.	D3/282
D368,371 S *	4/1996	Calmeise	D3/282
D381,986 S *	8/1997	Kokkinis	D14/194
D390,570 S *	2/1998	Read	D14/240
D437,244 S *	2/2001	Weirsmann et al.	D10/106
D447,075 S *	8/2001	Roberts	D10/106

D514,546 S *	2/2006	Chan	D14/171
D557,229 S *	12/2007	Moriya et al.	D14/500
D584,281 S *	1/2009	Kim et al.	D14/188
D597,064 S *	7/2009	Machida	D14/167
D611,863 S *	3/2010	Kato	D10/106
D611,927 S *	3/2010	Hansen et al.	D14/188
D611,928 S *	3/2010	Hansen et al.	D14/188

OTHER PUBLICATIONS

<http://www.hitachi.co.jp/New/cnews/month/2007/06/0622.pdf>, News Release, Jun. 22, 2007, Hitachi, Ltd.

* cited by examiner

Primary Examiner—Austin Murphy

(74) *Attorney, Agent, or Firm*—Antonelli, Terry, Stout & Kraus, LLP.

(57) **CLAIM**

We claim the ornamental design for a portable terminal with sensors for recording data of activities, as shown and described.

DESCRIPTION

FIG. 1 is a front, top and left side perspective view of a portable terminal with sensors for recording data of activities showing our new design;

FIG. 2 is a front elevational view thereof;

FIG. 3 is a rear elevational view thereof;

FIG. 4 is a left side elevational view thereof;

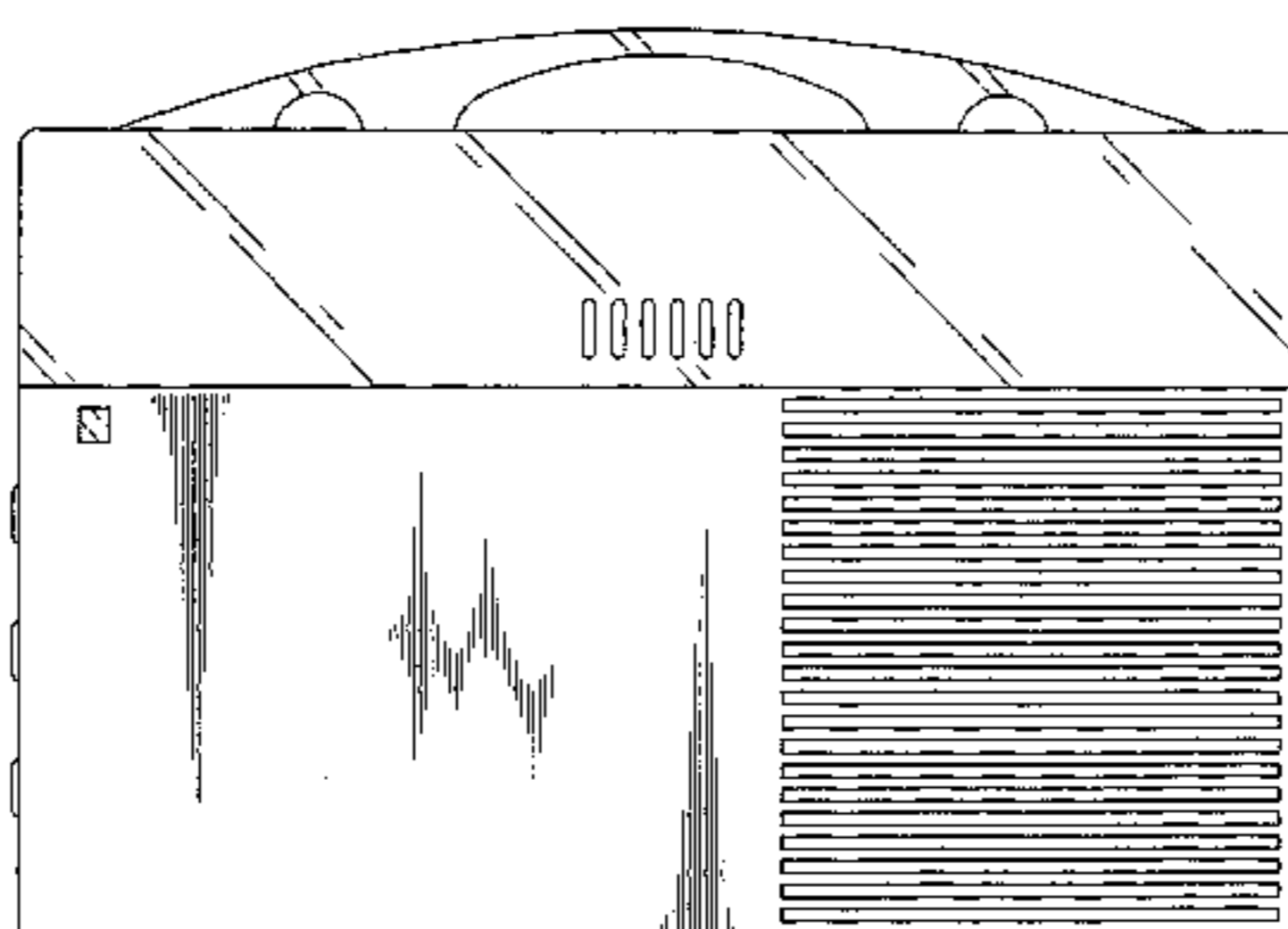
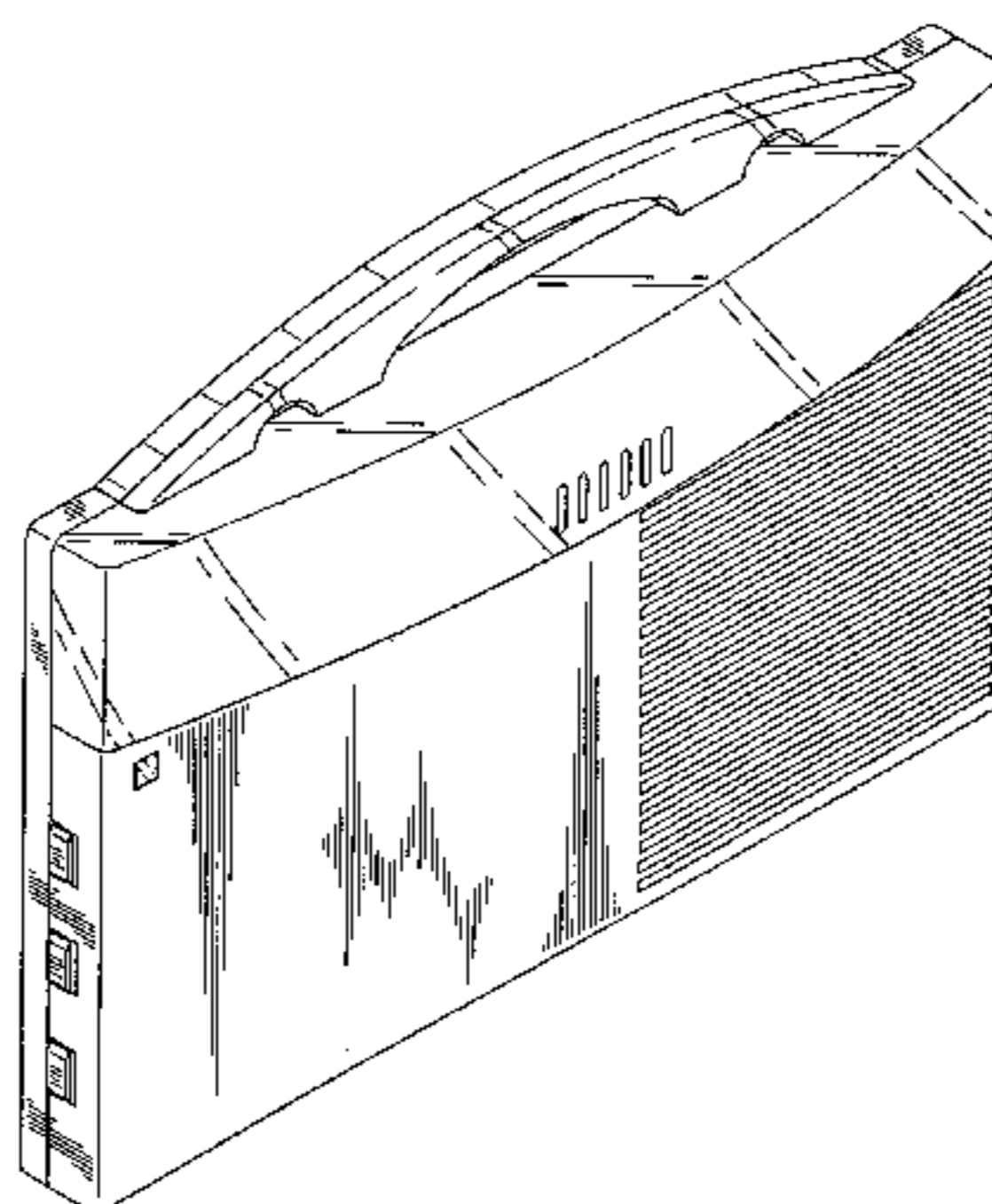
FIG. 5 is a right side elevational view thereof;

FIG. 6 is a top plan view thereof; and,

FIG. 7 is a bottom plan view thereof.

The broken lines shown in the drawings represent unclaimed portions of the portable terminal with sensors for recording data of activities and form no part of the claimed design.

1 Claim, 5 Drawing Sheets



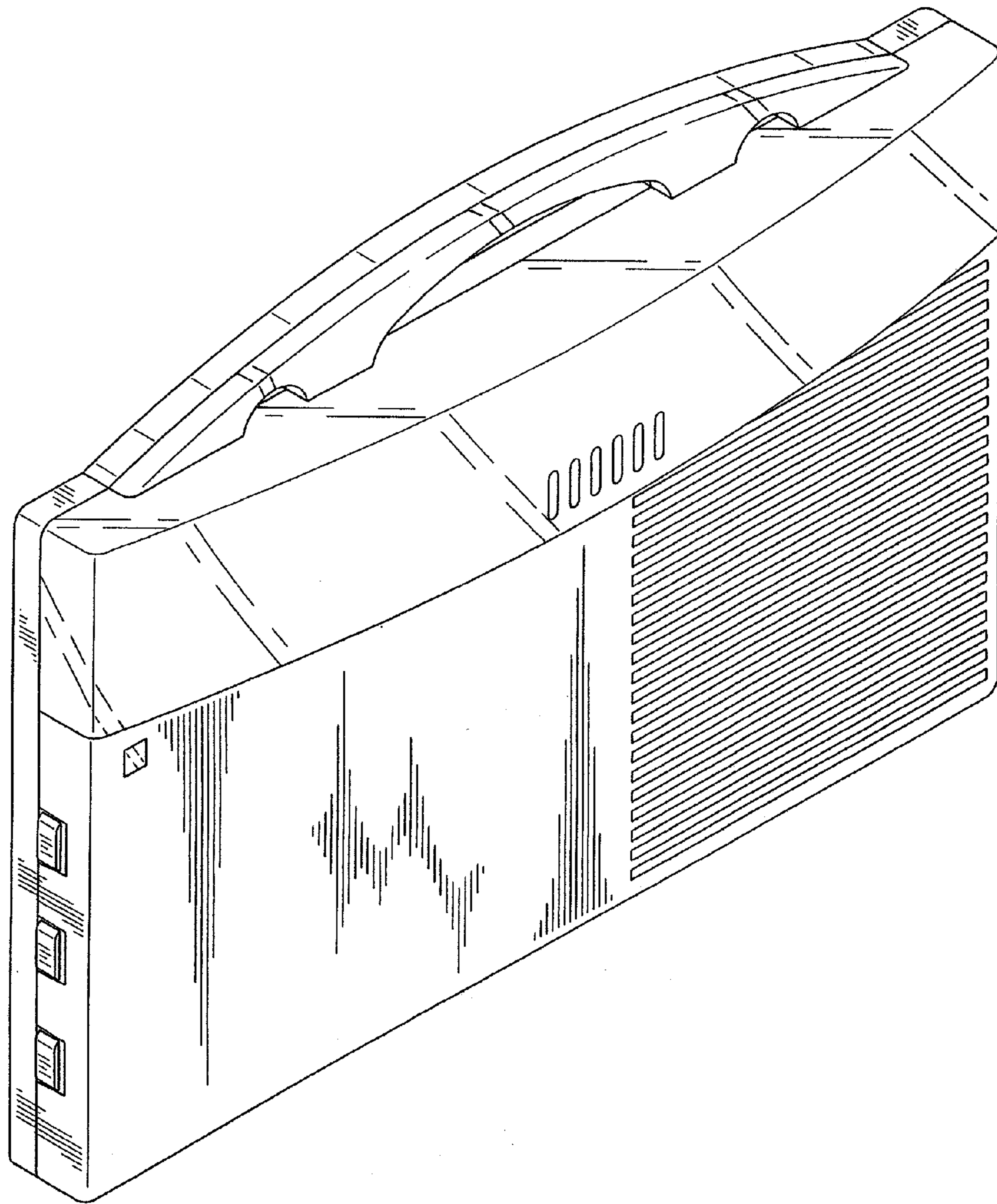


FIG. 1

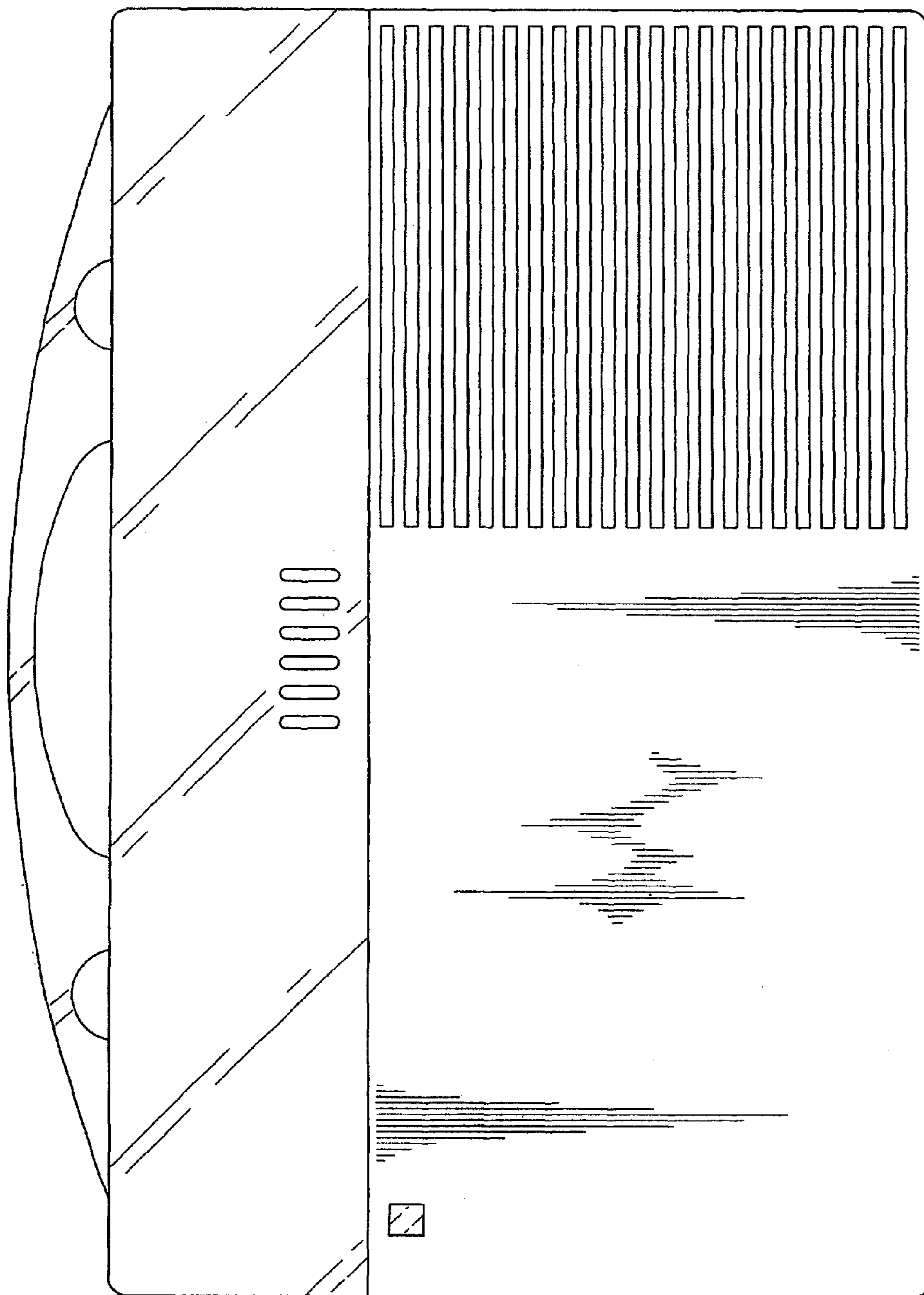


FIG. 2

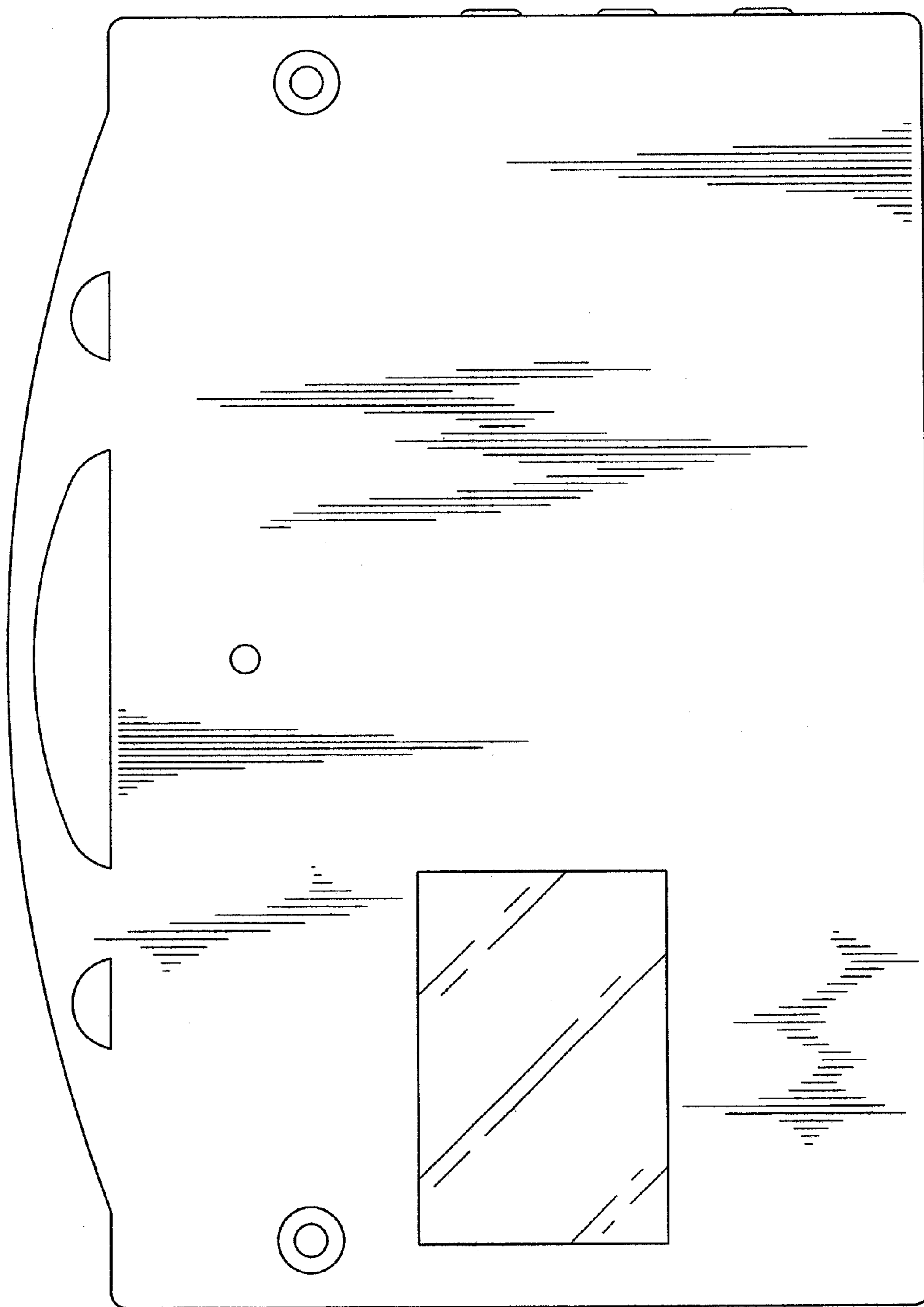


FIG. 3

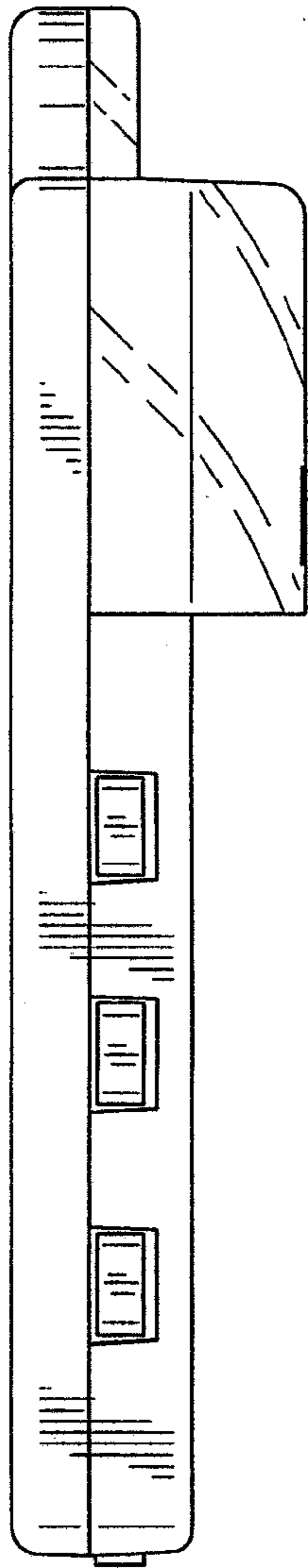


FIG. 4

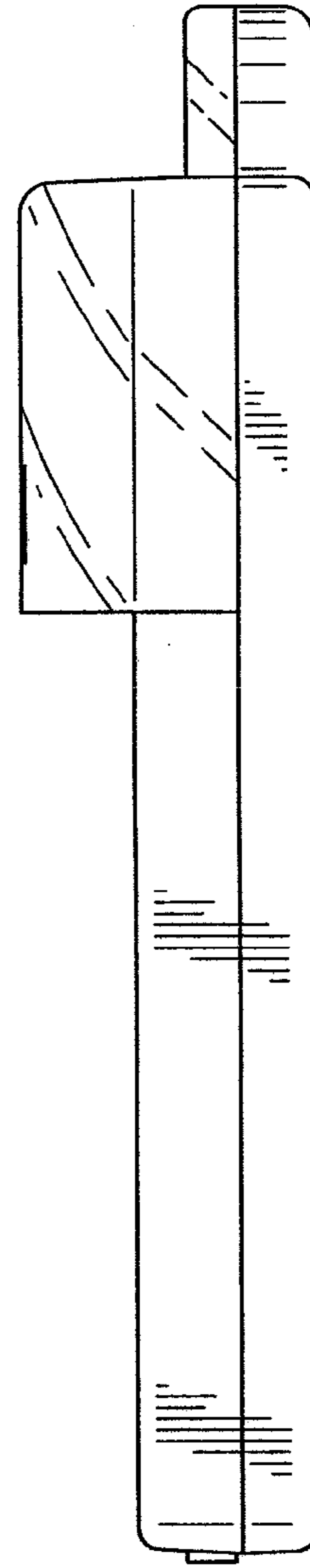


FIG. 5

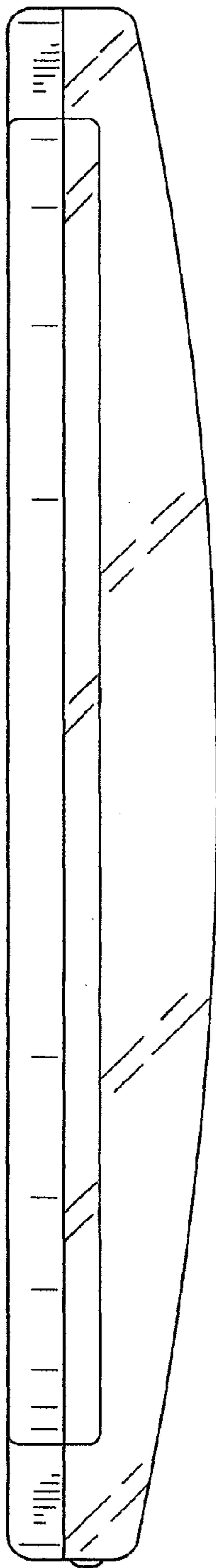


FIG. 6

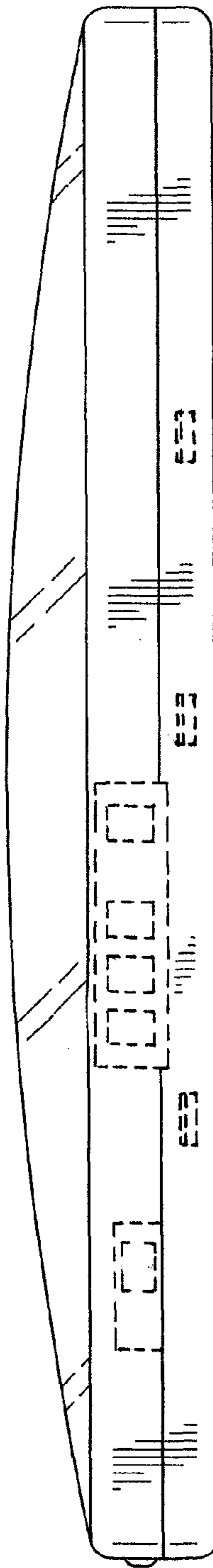


FIG. 7