



US00D629778S

(12) **United States Design Patent**
Li

(10) **Patent No.:** **US D629,778 S**

(45) **Date of Patent:** **** Dec. 28, 2010**

(54) **MOBILE PHONE**

(75) Inventor: **Jian-Hui Li**, Shenzhen (CN)

(73) Assignee: **FIH (Hong Kong) Limited**, Kowloon (HK)

(**) Term: **14 Years**

(21) Appl. No.: **29/353,976**

(22) Filed: **Jan. 18, 2010**

(30) **Foreign Application Priority Data**

Dec. 23, 2009 (CN) 2009 3 0330562

(51) **LOC (9) Cl.** **14-03**

(52) **U.S. Cl.** **D14/138 AA; D14/138 R; D14/138 AB**

(58) **Field of Classification Search** D14/138 AA, D14/496, 341, 345, 346, 203.3, 203.4, 203.7, D14/138 AD, 138 R, 138 AB; 455/575.1, 455/556.2, 556.1, 575.3; D21/517; 379/433.01, 379/433.04, 433.13; 361/679.04

See application file for complete search history.

(56) **References Cited**

U.S. PATENT DOCUMENTS

6,510,325	B1 *	1/2003	Mack et al.	455/575.2
6,643,124	B1 *	11/2003	Wilk	361/679.04
D544,852	S *	6/2007	Takamori et al.	D14/138 AA
D555,126	S *	11/2007	Park et al.	D14/138 AA
D560,641	S *	1/2008	Jung et al.	D14/138 AA
7,330,547	B2 *	2/2008	Turcanu	379/433.07
D573,972	S *	7/2008	Lee et al.	D14/138 AA
D593,979	S *	6/2009	Lee et al.	D14/138 AA
D596,602	S *	7/2009	Cha et al.	D14/138 AA
D599,761	S *	9/2009	Birsel et al.	D14/138 R
D600,233	S *	9/2009	Birsel et al.	D14/203.3
D601,989	S *	10/2009	Park et al.	D14/138 AD
7,606,605	B2 *	10/2009	Lee et al.	455/575.3
D609,203	S *	2/2010	Birsel et al.	D14/138 R
D616,406	S *	5/2010	Du et al.	D14/138 AA
7,711,396	B2 *	5/2010	Kim	455/575.1
D618,194	S *	6/2010	Kim et al.	D14/138 AA

D622,695	S *	8/2010	Ao	D14/203.7
2005/0164752	A1 *	7/2005	Lau et al.	455/575.3
2008/0020811	A1 *	1/2008	Lim et al.	455/575.1
2008/0039156	A1 *	2/2008	Lee et al.	455/575.1
2009/0005130	A1 *	1/2009	Ishikura et al.	455/575.3
2009/0017875	A1 *	1/2009	Boesen	455/566
2009/0104931	A1 *	4/2009	Chiang	455/556.1
2009/0104932	A1 *	4/2009	Chiang	455/556.1
2009/0104949	A1 *	4/2009	Sato et al.	455/575.3
2010/0004037	A1 *	1/2010	Ozawa	455/575.3

OTHER PUBLICATIONS

Samsung F500 telephone, announced Dec. 2006, [online], [site visited Aug. 17, 2010]. Available from Internet, <URL: <http://www.gsmarena.com>>.*

Philips Fidio 820 telephone, announced 2002, [online], [site visited Aug. 17, 2010]. Available from Internet, <URL: <http://www.gsmarena.com>>.*

Samsung E1110 telephone, announced Nov. 2008, [online], [site visited Aug. 17, 2010]. Available from Internet, <URL: <http://www.gsmarena.com>>.*

Samsung P300 telephone, announced 4th quarter 2003, [online], [site visited Aug. 17, 2010]. Available from Internet, <URL: <http://www.gsmarena.com>>.*

* cited by examiner

Primary Examiner—Jeffrey D Asch

(74) *Attorney, Agent, or Firm*—Steven M. Reiss

(57) **CLAIM**

The ornamental design for a mobile phone, as shown and described.

DESCRIPTION

FIG. 1 is a perspective view of a mobile phone showing my new design and in a first configuration;

FIG. 2 is a front elevational view of the new design and in the first configuration;

FIG. 3 is a rear elevational view of the new design and in the first configuration;

FIG. 4 is a left side elevational view of the new design and in the first configuration;

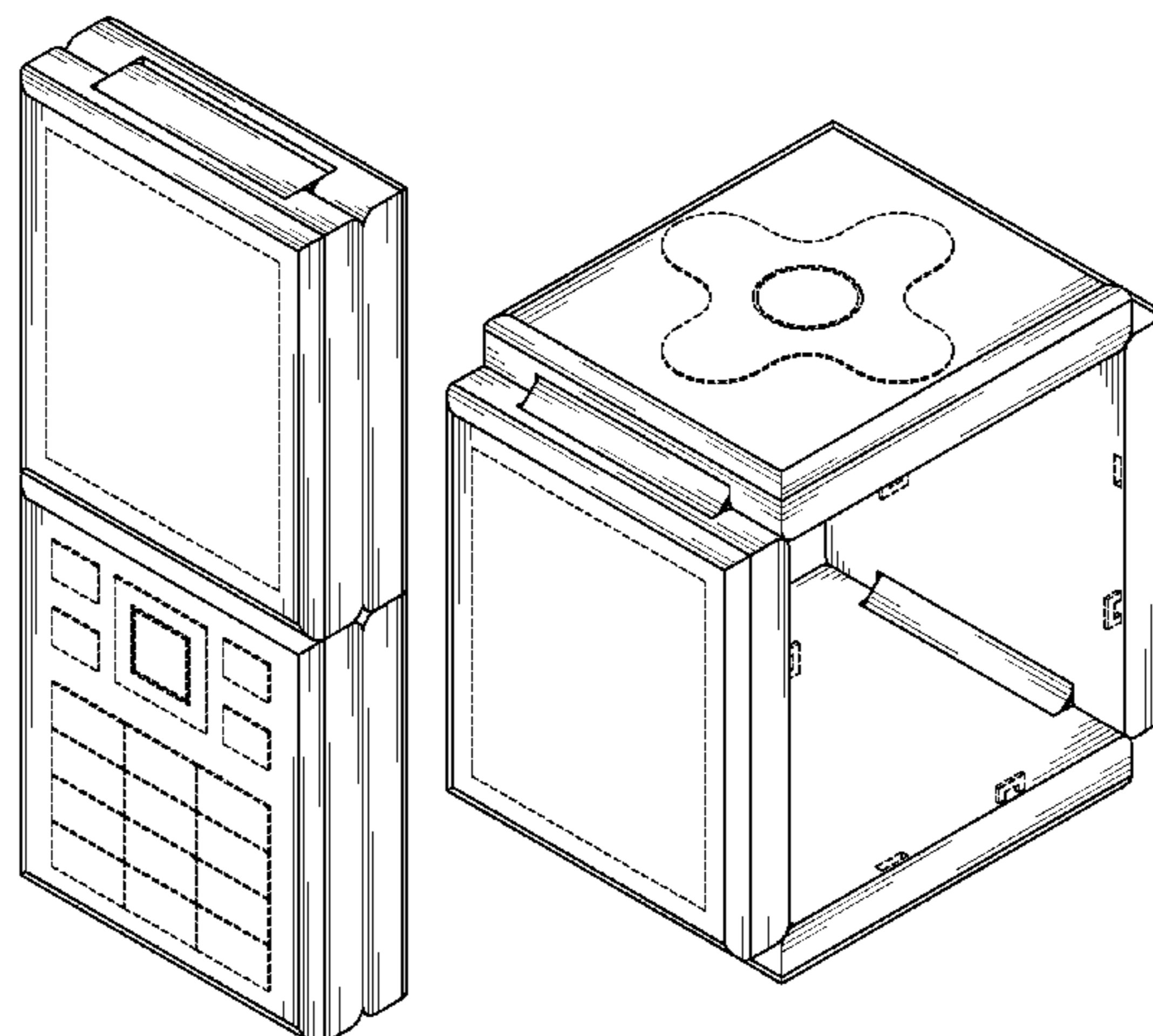


FIG. 5 is a right side elevational view of the new design and in the first configuration;

FIG. 6 is a top plan view of the new design and in the first configuration;

FIG. 7 is a bottom plan view of the new design and in the first configuration;

FIG. 8 is a perspective view of the mobile phone of FIG. 1 in a second configuration;

FIG. 9 is a front elevational view of the new design and in the second configuration;

FIG. 10 is a rear elevational view of the new design and in the second configuration;

FIG. 11 is a left side elevational view of the new design and in the second configuration;

FIG. 12 is a right side elevational view of the new design and in the second configuration;

FIG. 13 is a top plan view of the new design and in the second configuration;

FIG. 14 is a bottom plan view of the new design and in the second configuration;

FIG. 15 is a perspective view of the mobile phone of FIG. 1 in a third configuration;

FIG. 16 is a front elevational view of the new design and in the third configuration;

FIG. 17 is a rear elevational view of the new design and in the third configuration;

FIG. 18 is a left side elevational view of the new design and in the third configuration;

FIG. 19 is a right side elevational view of the new design and in the third configuration;

FIG. 20 is a top plan view of the new design and in the third configuration; and,

FIG. 21 is a bottom plan view of the new design and in the third configuration.

The broken lines shown throughout the views, which are immediately adjacent to the shaded areas and define unshaded regions, represent the bounds of the claimed design, while all other broken lines are directed to environment and are for illustrative purposes only; the broken lines form no part of the claimed design.

1 Claim, 21 Drawing Sheets

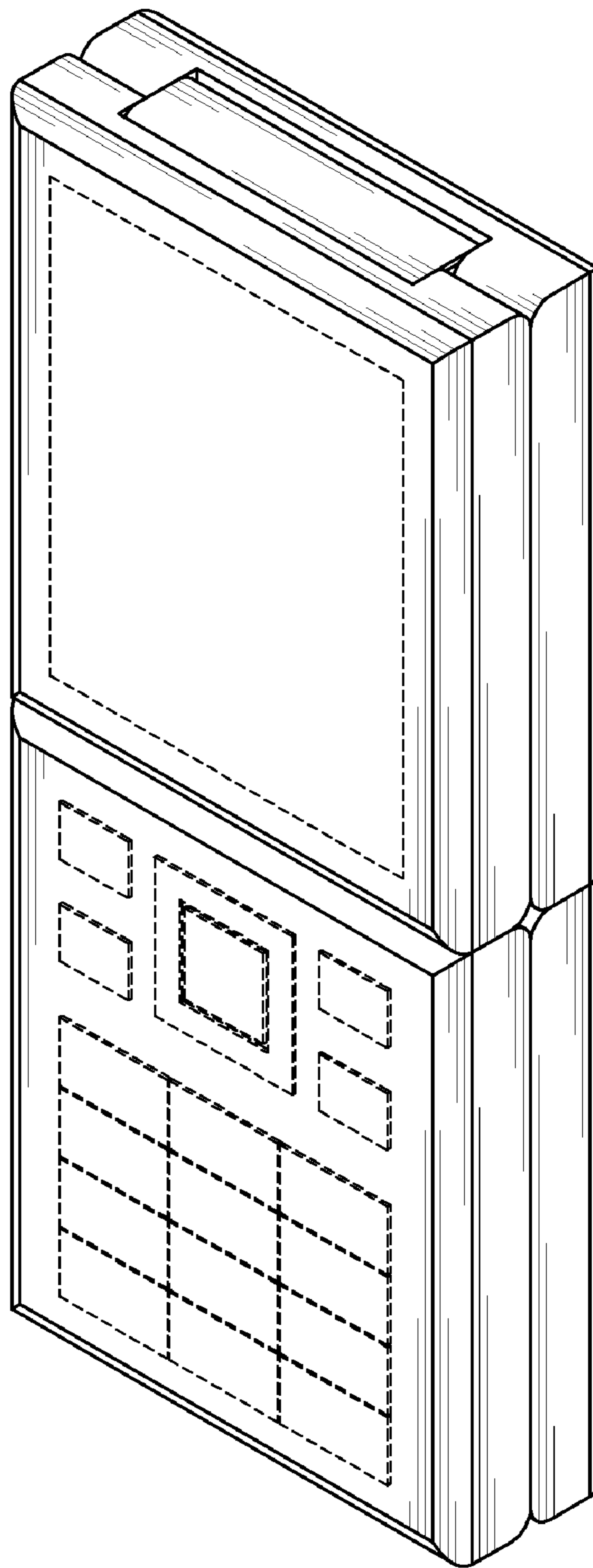


FIG. 1

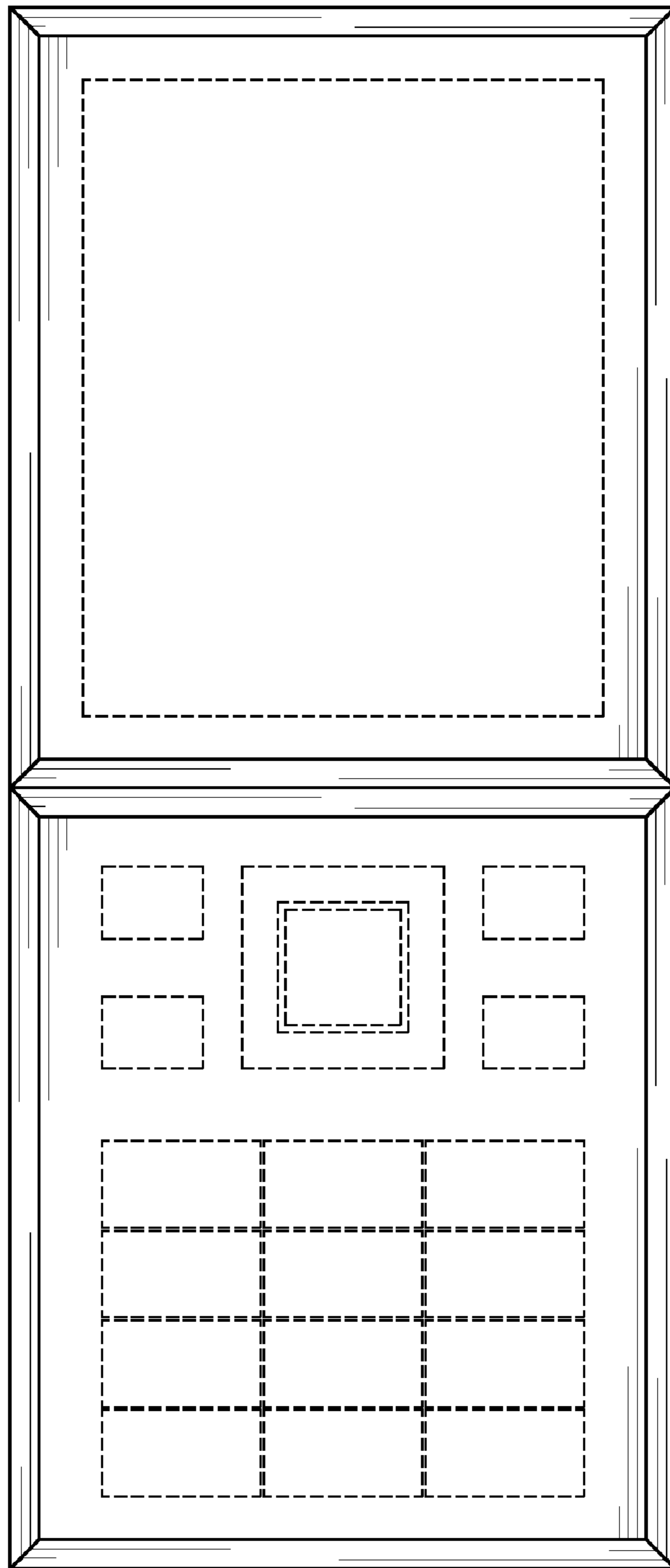


FIG. 2

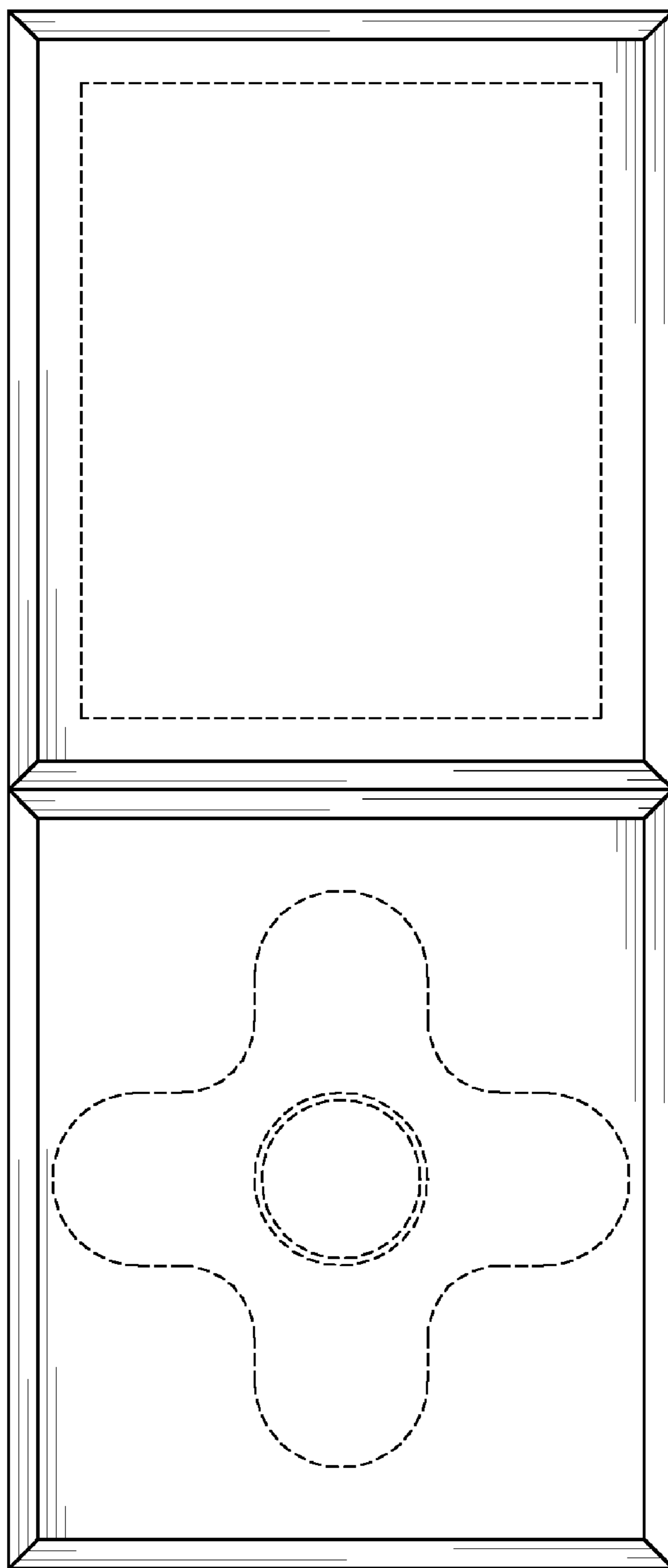


FIG. 3

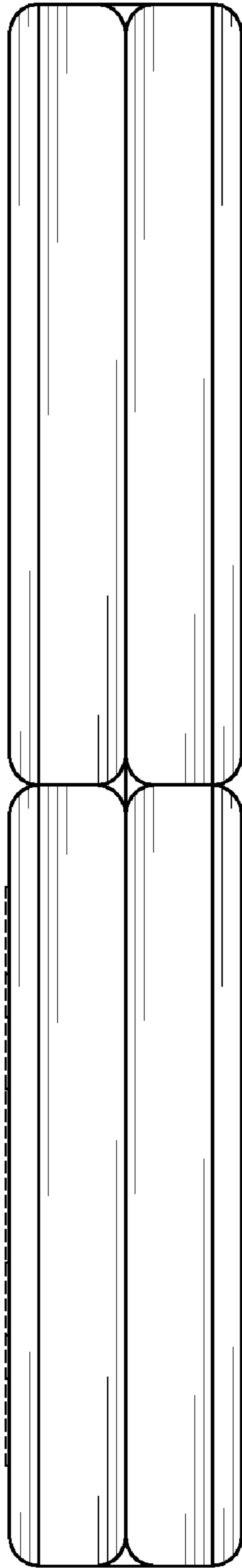


FIG. 4

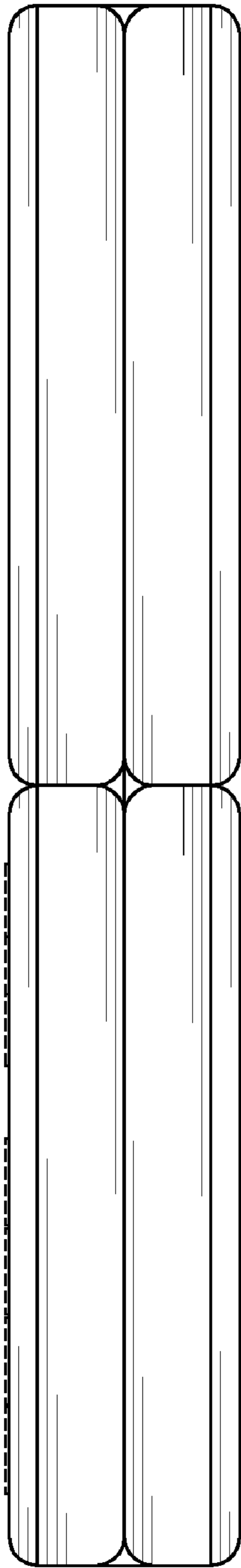


FIG. 5



FIG. 6



FIG. 7

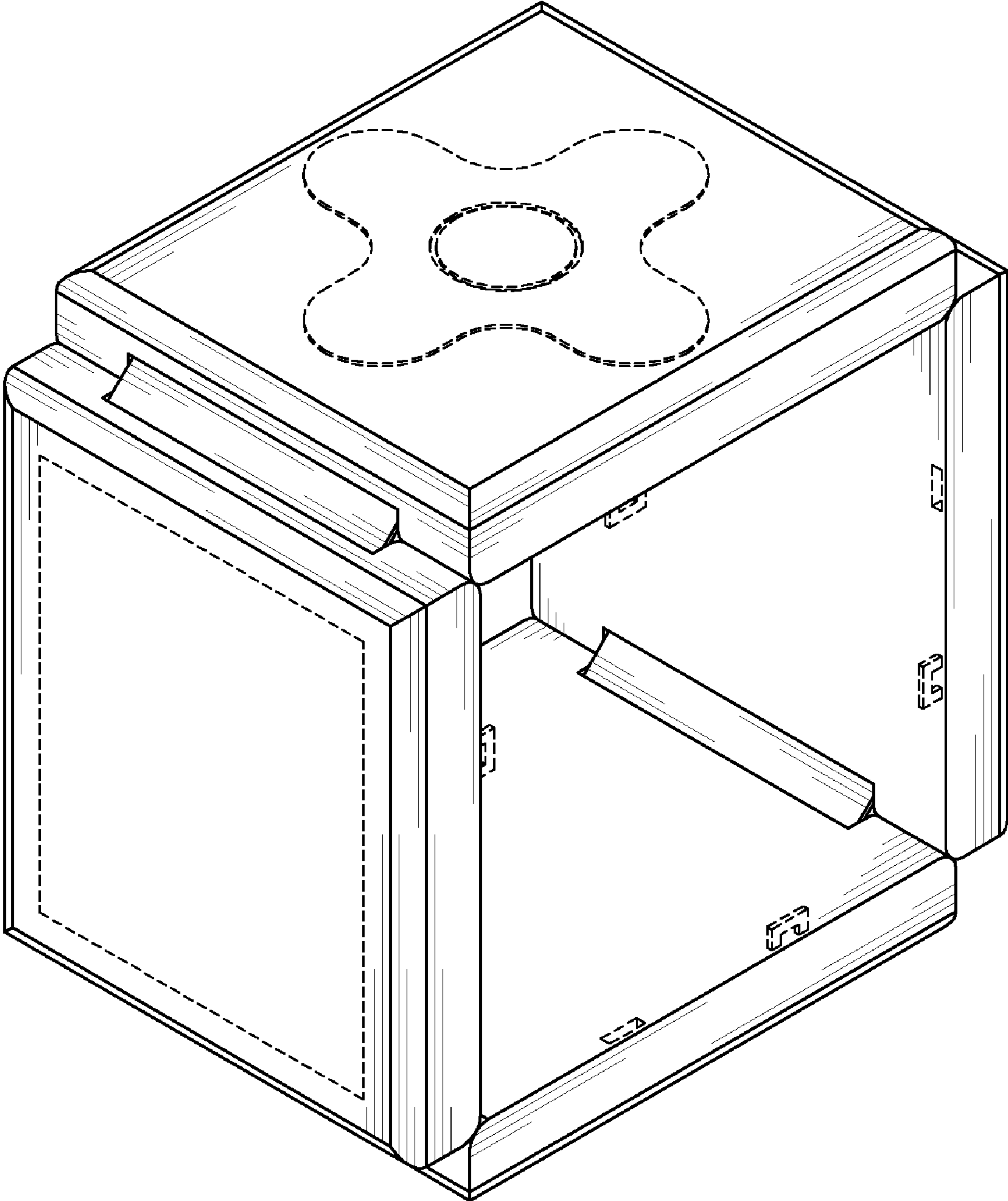


FIG. 8

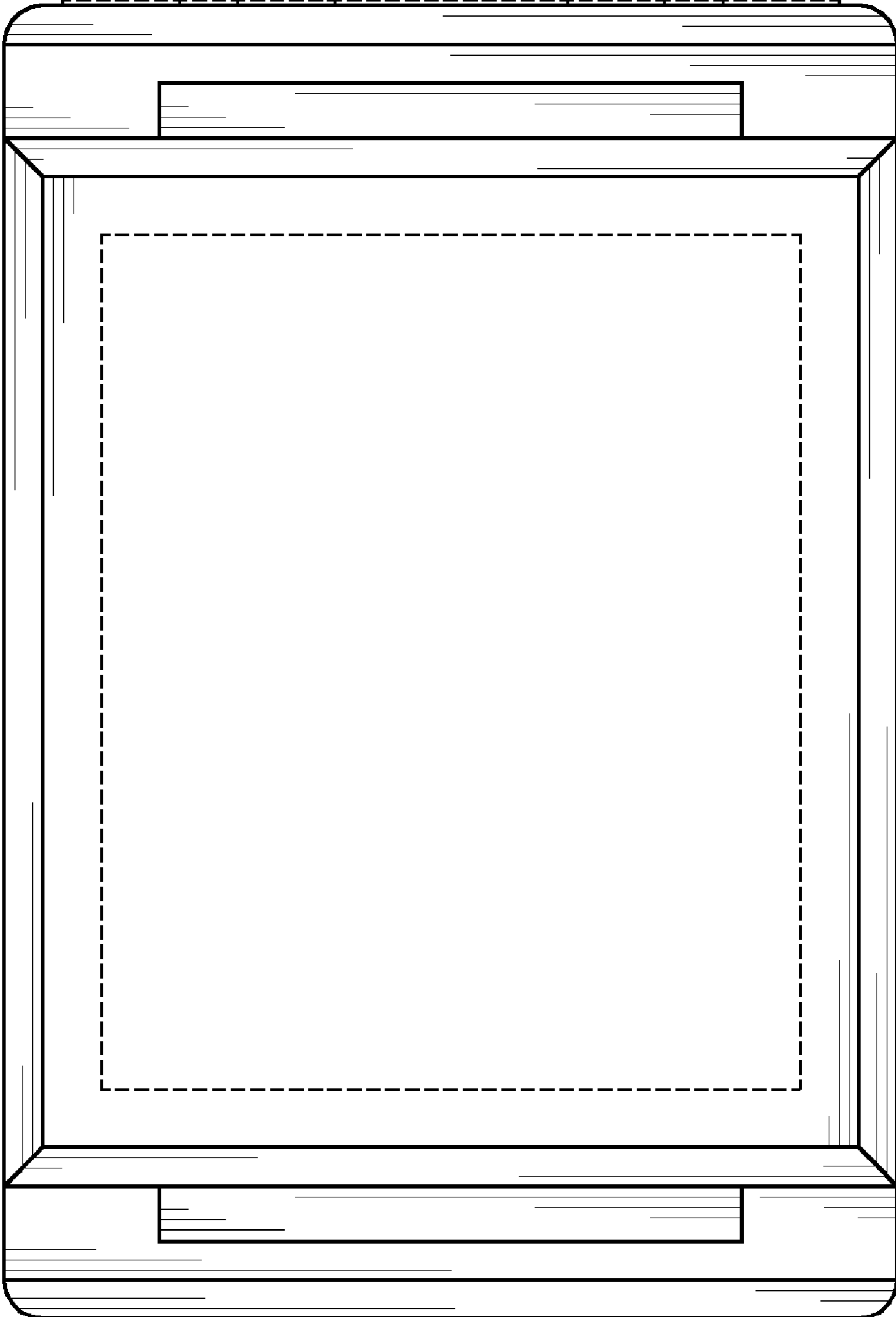


FIG. 9

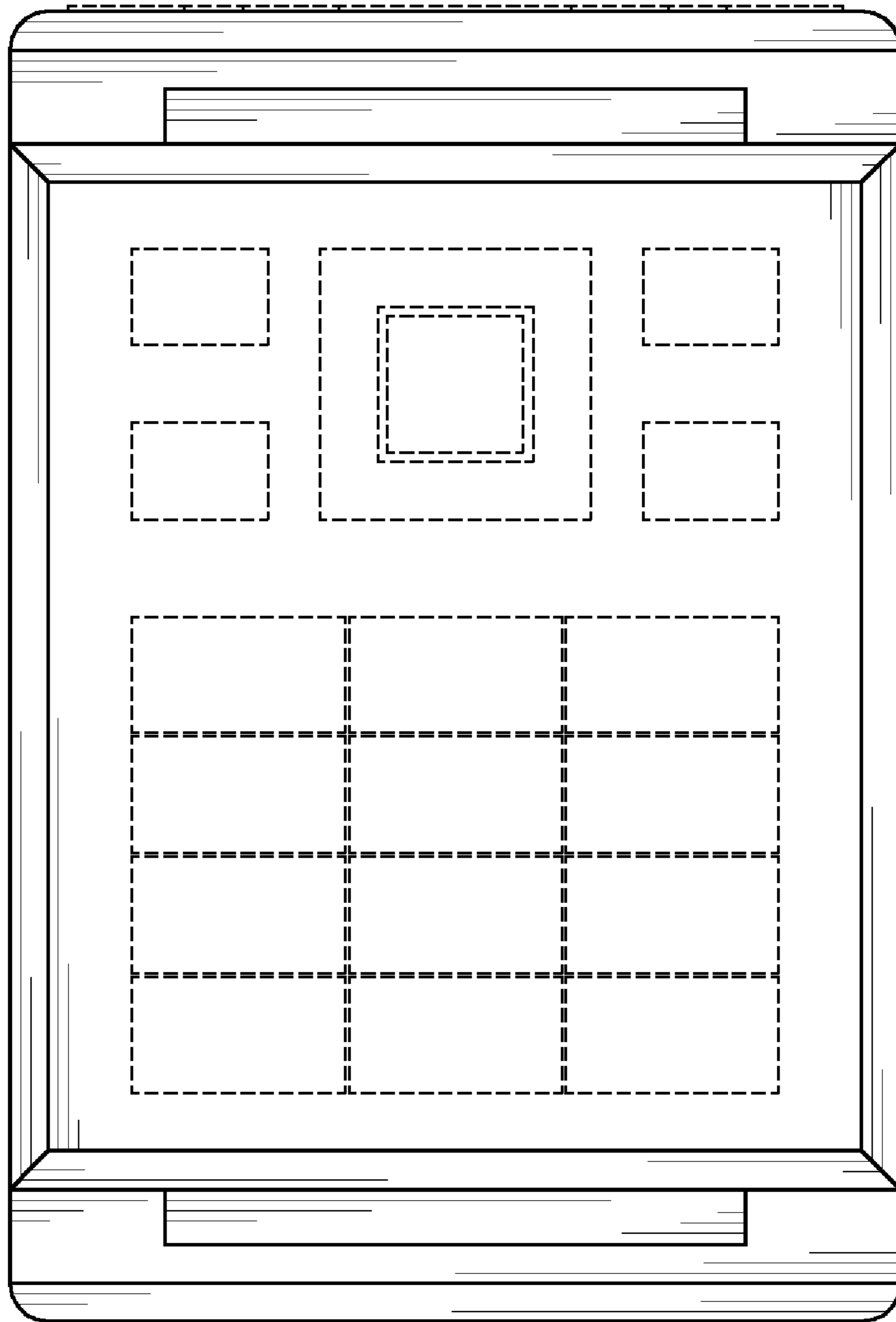


FIG. 10

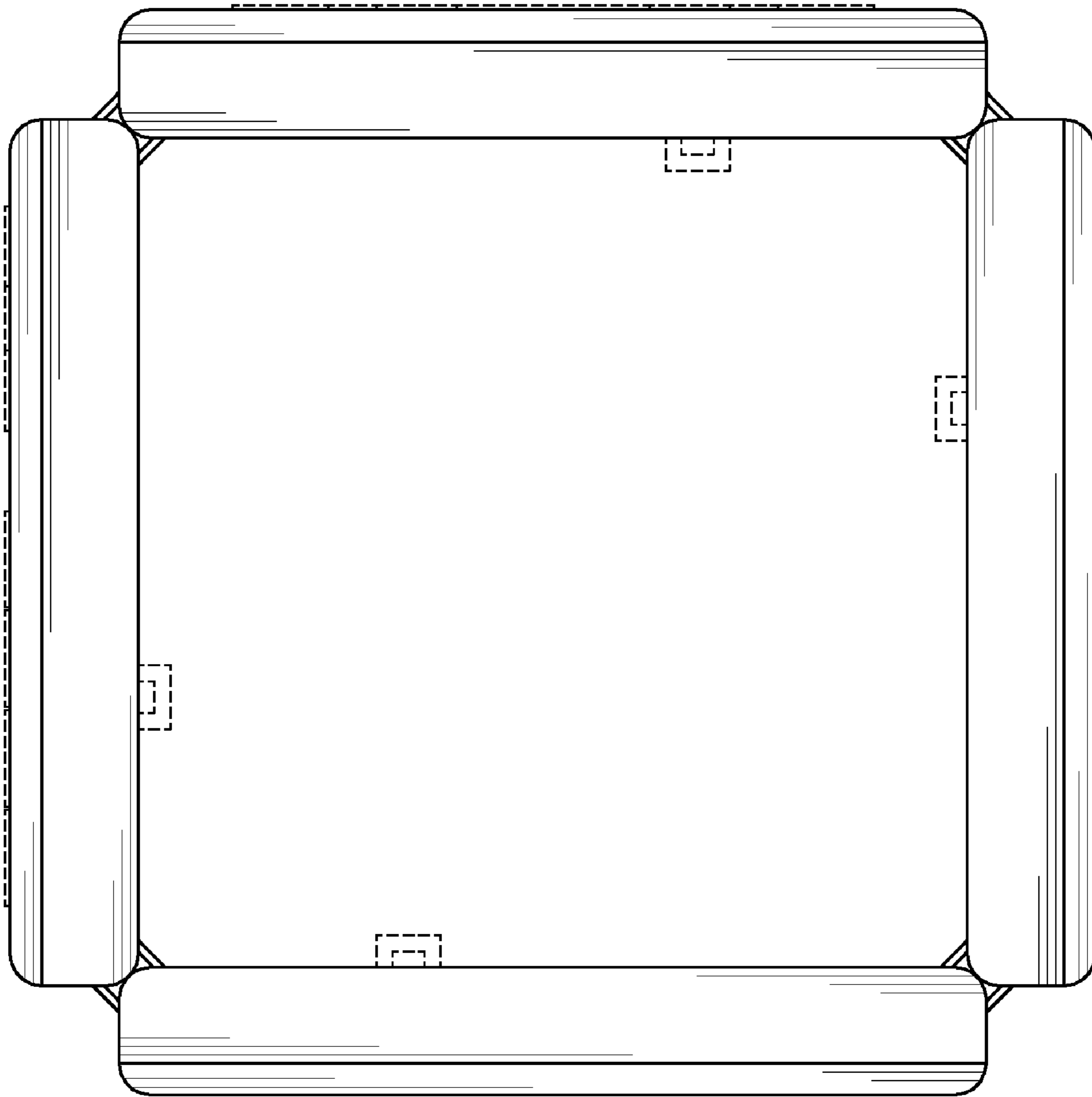


FIG. 11

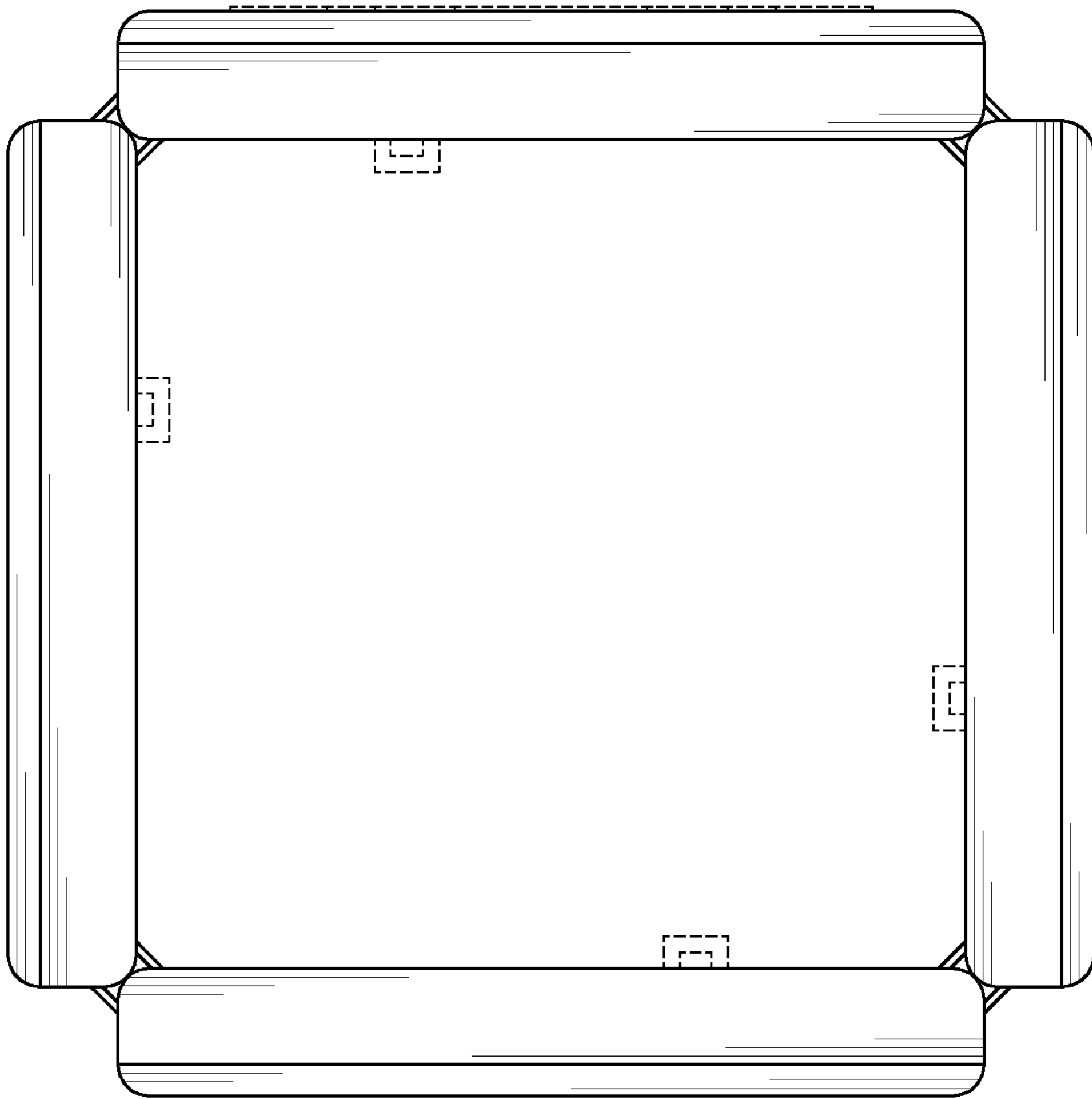


FIG. 12

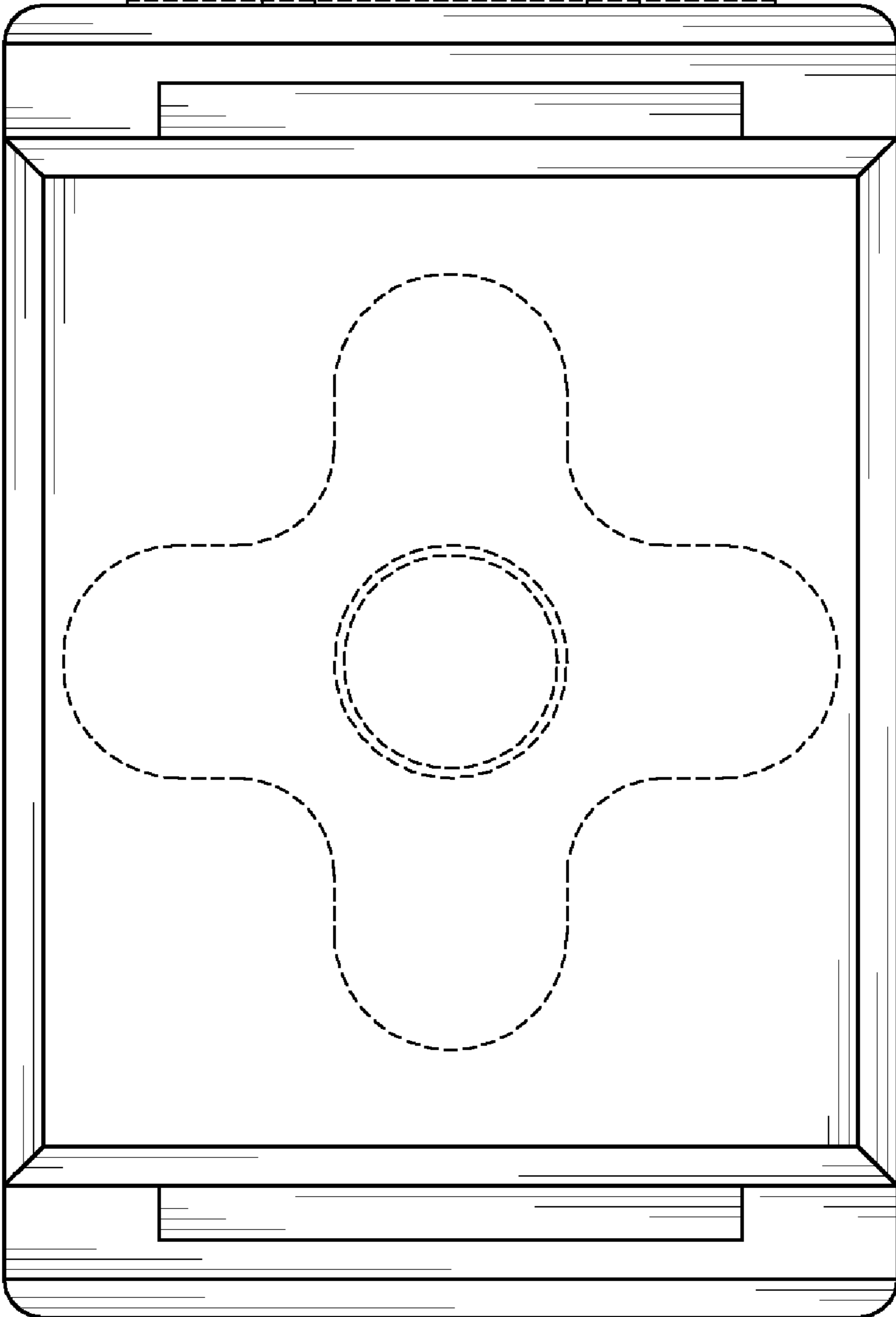


FIG. 13

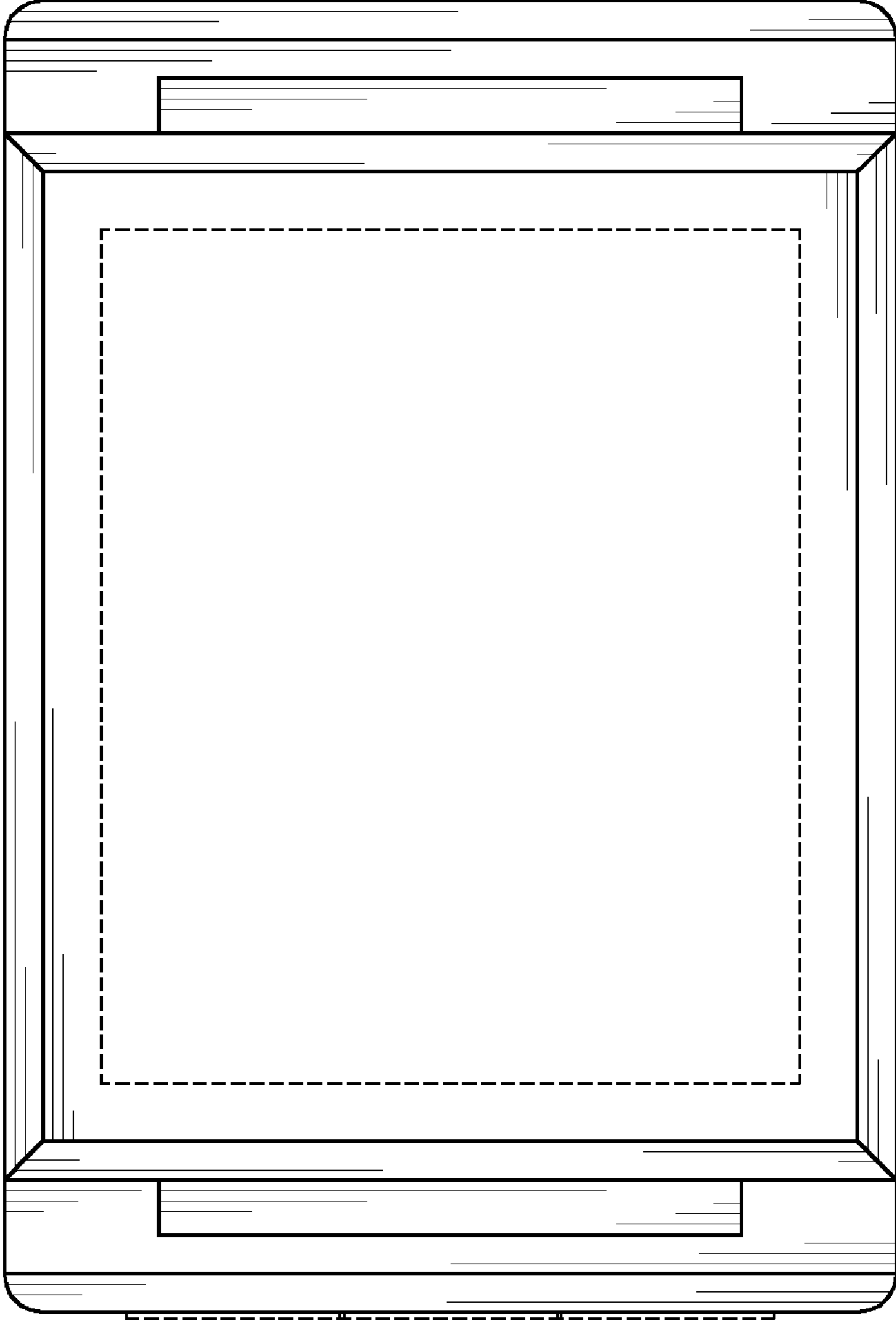


FIG. 14

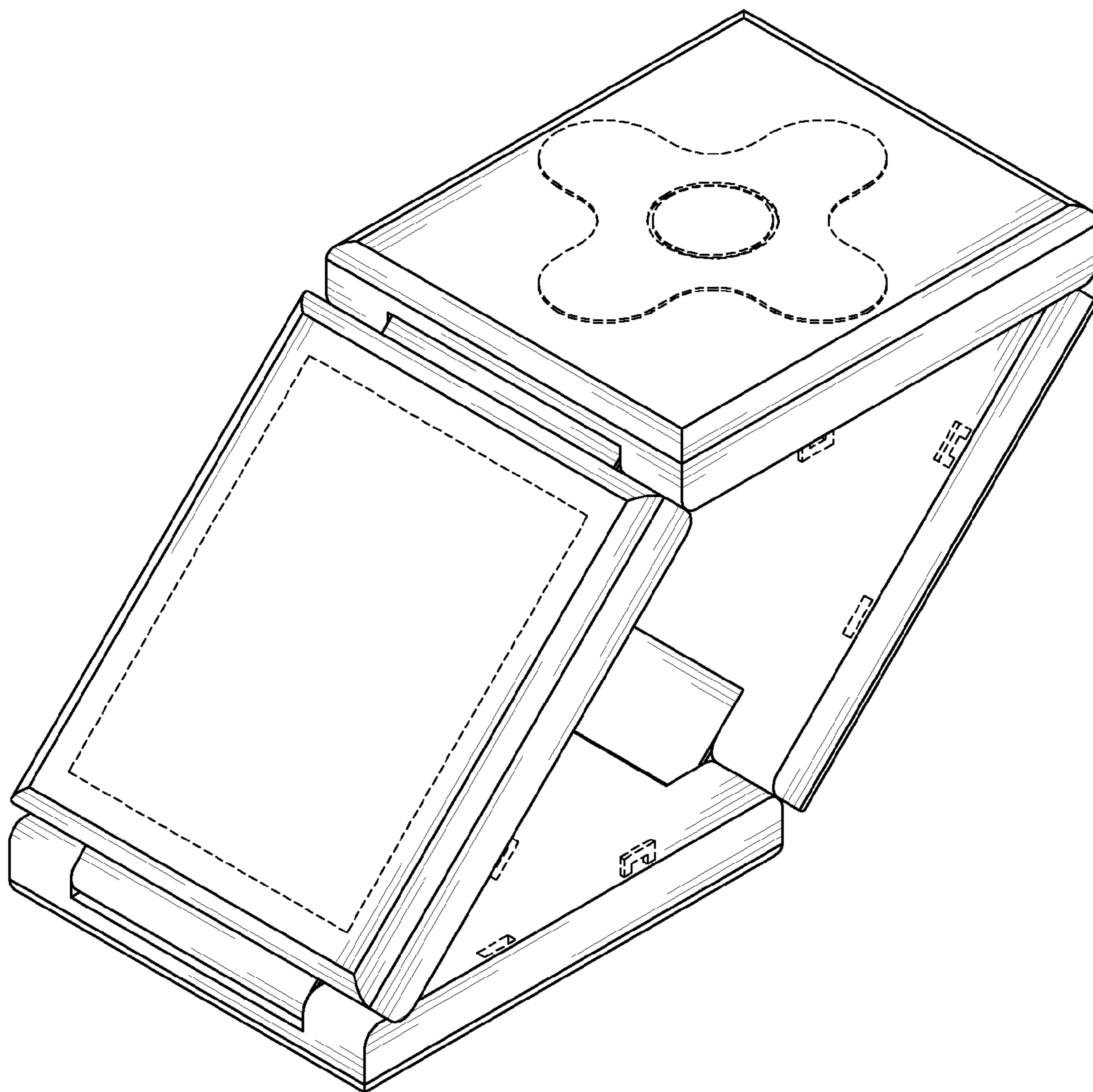


FIG. 15

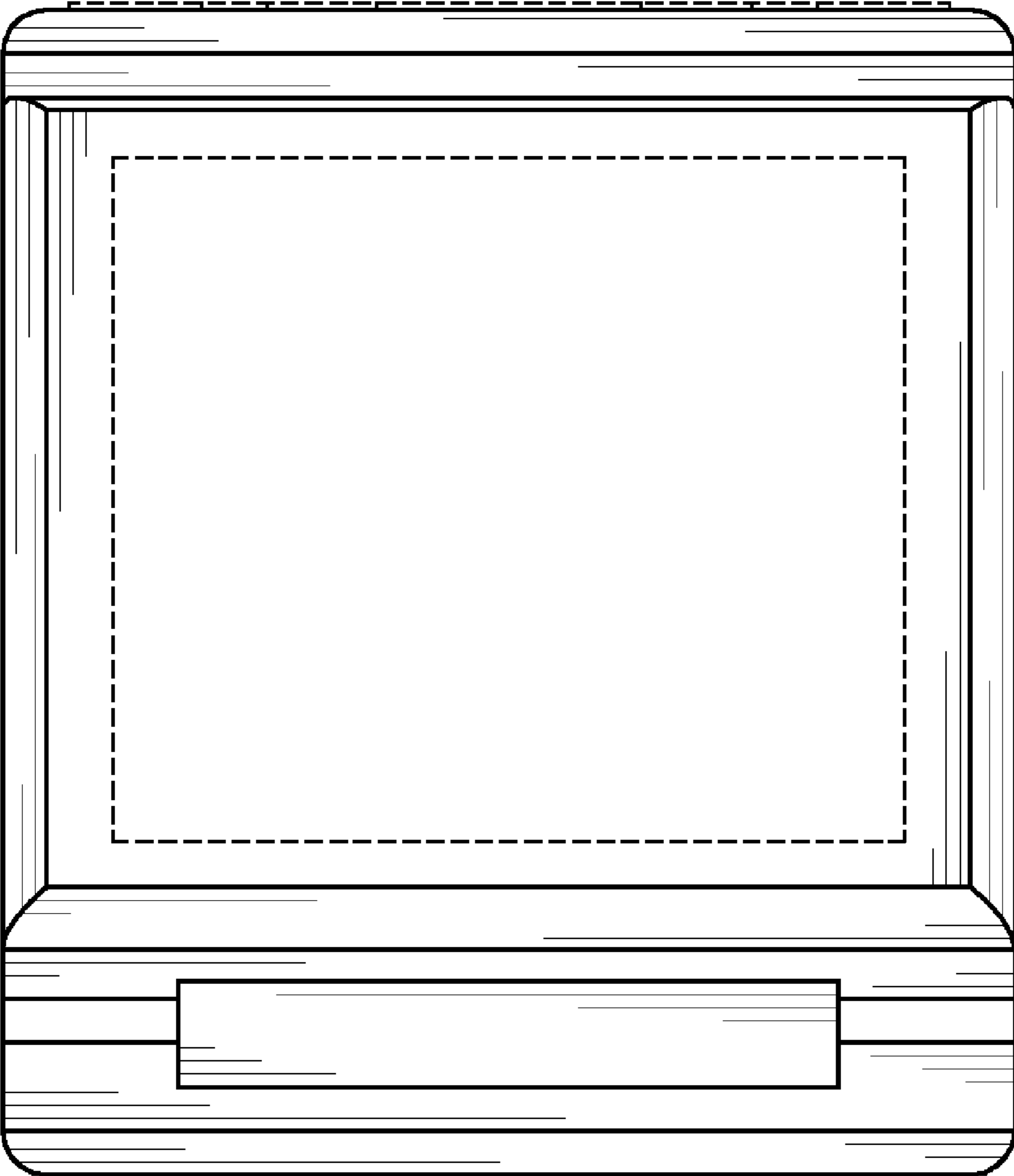


FIG. 16

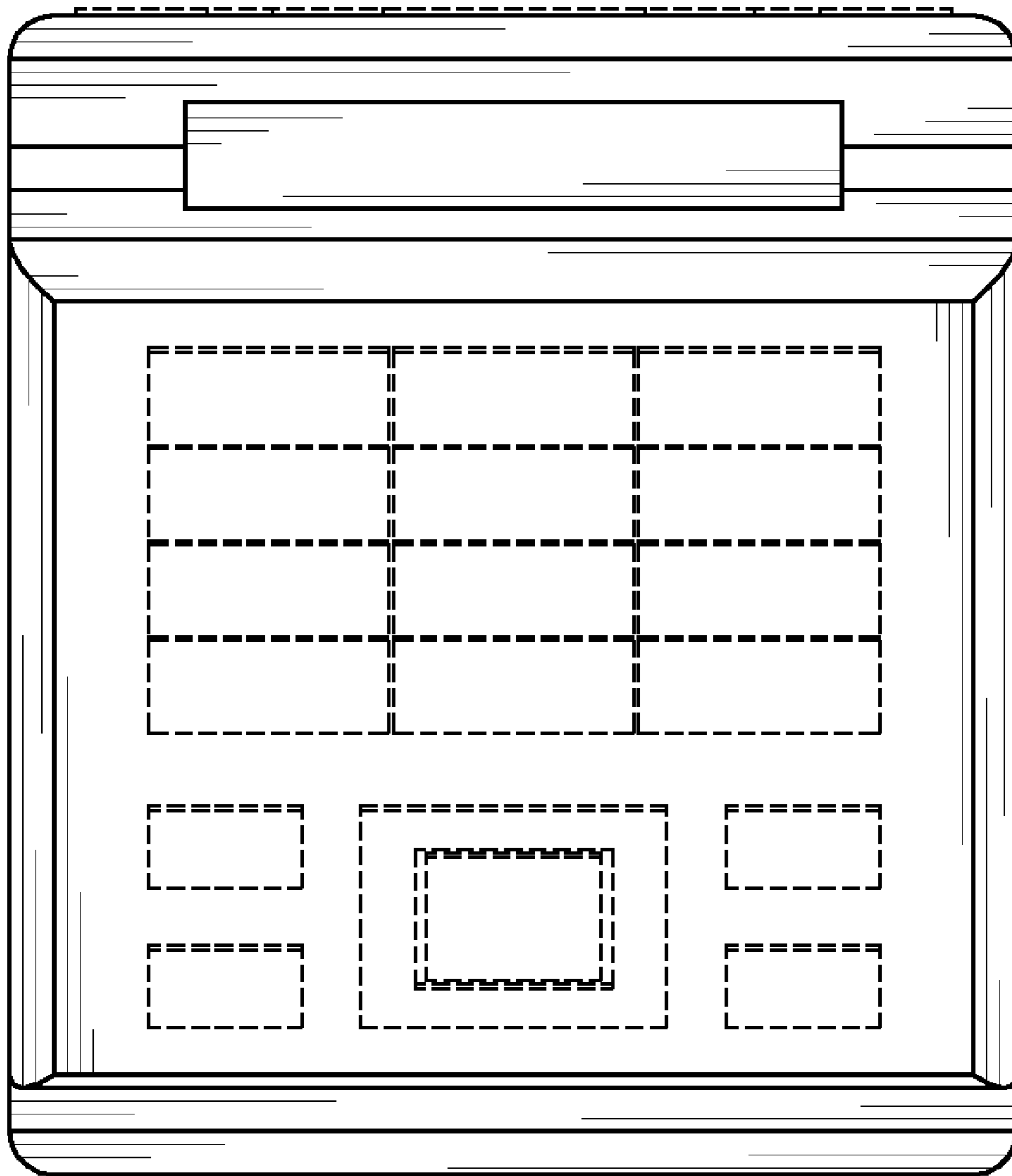


FIG. 17

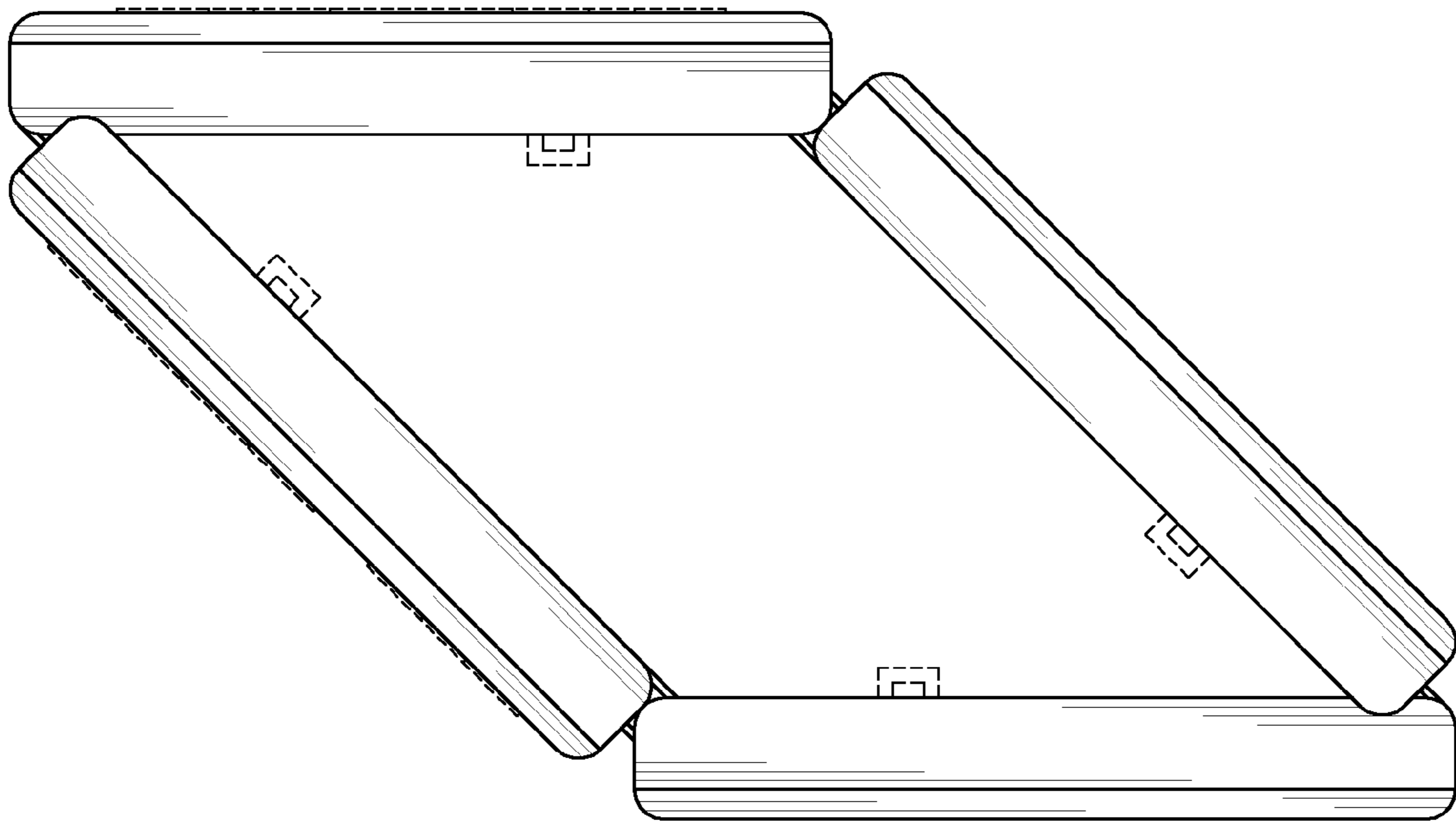


FIG. 18

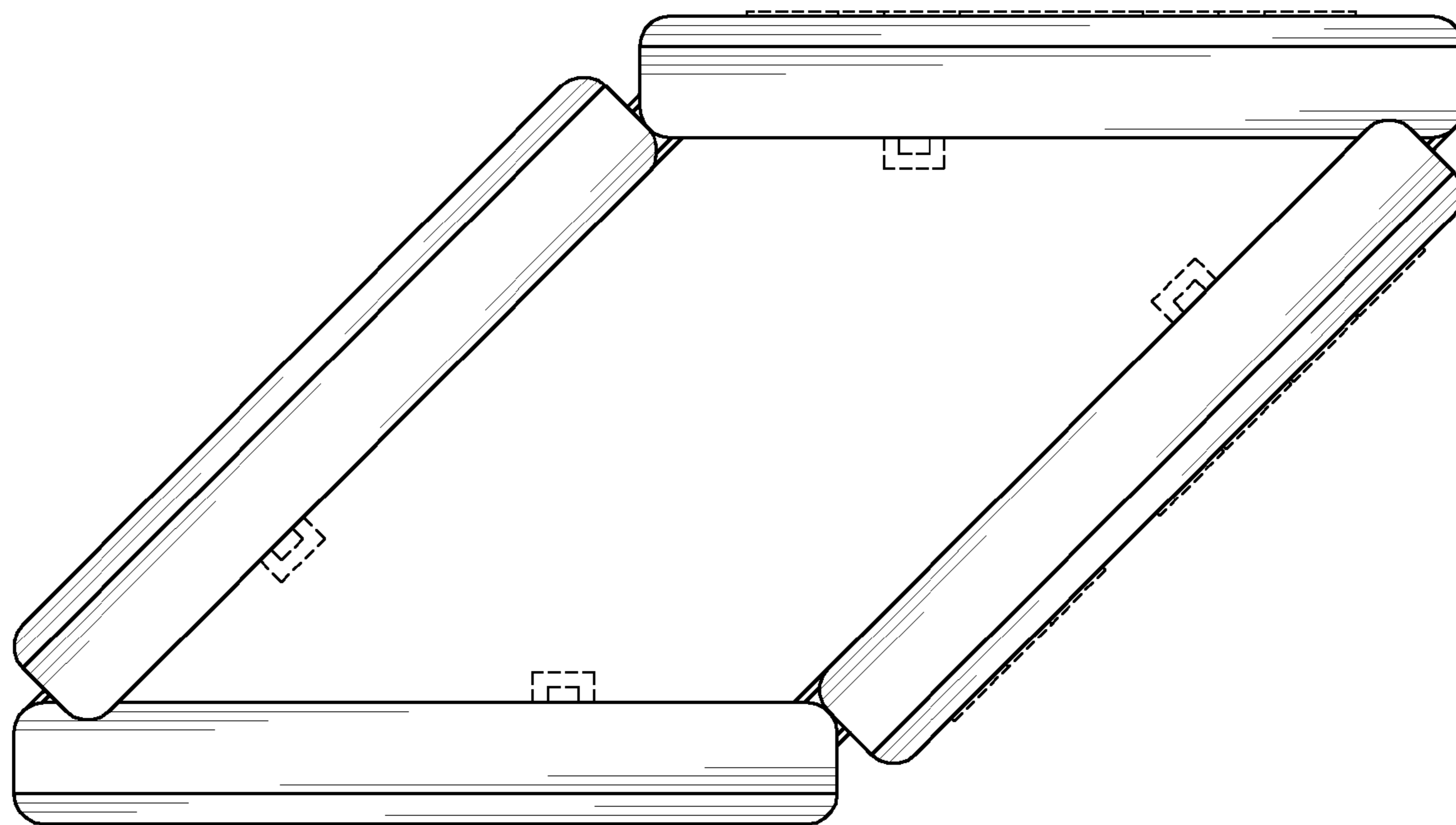


FIG. 19

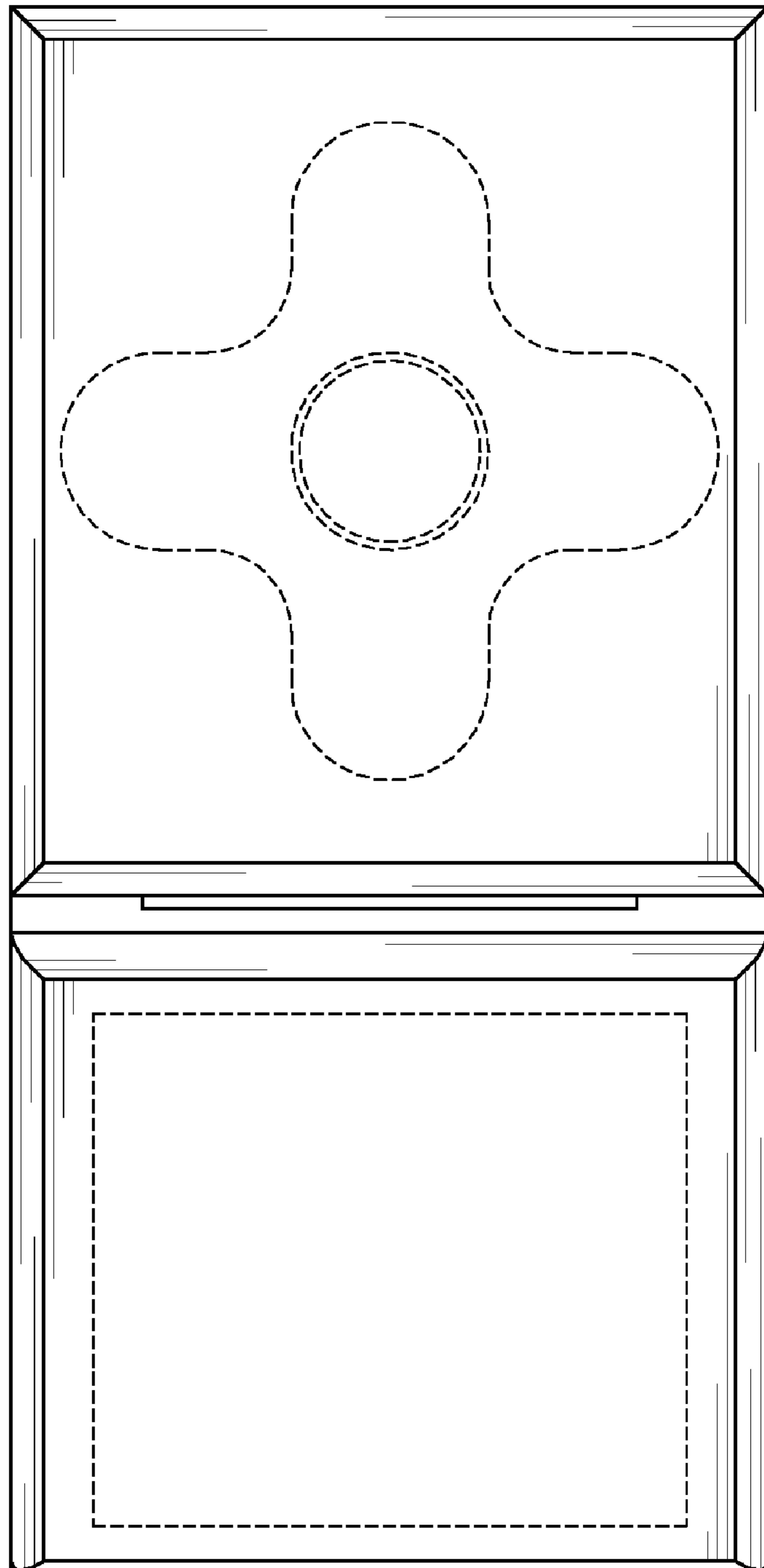


FIG. 20

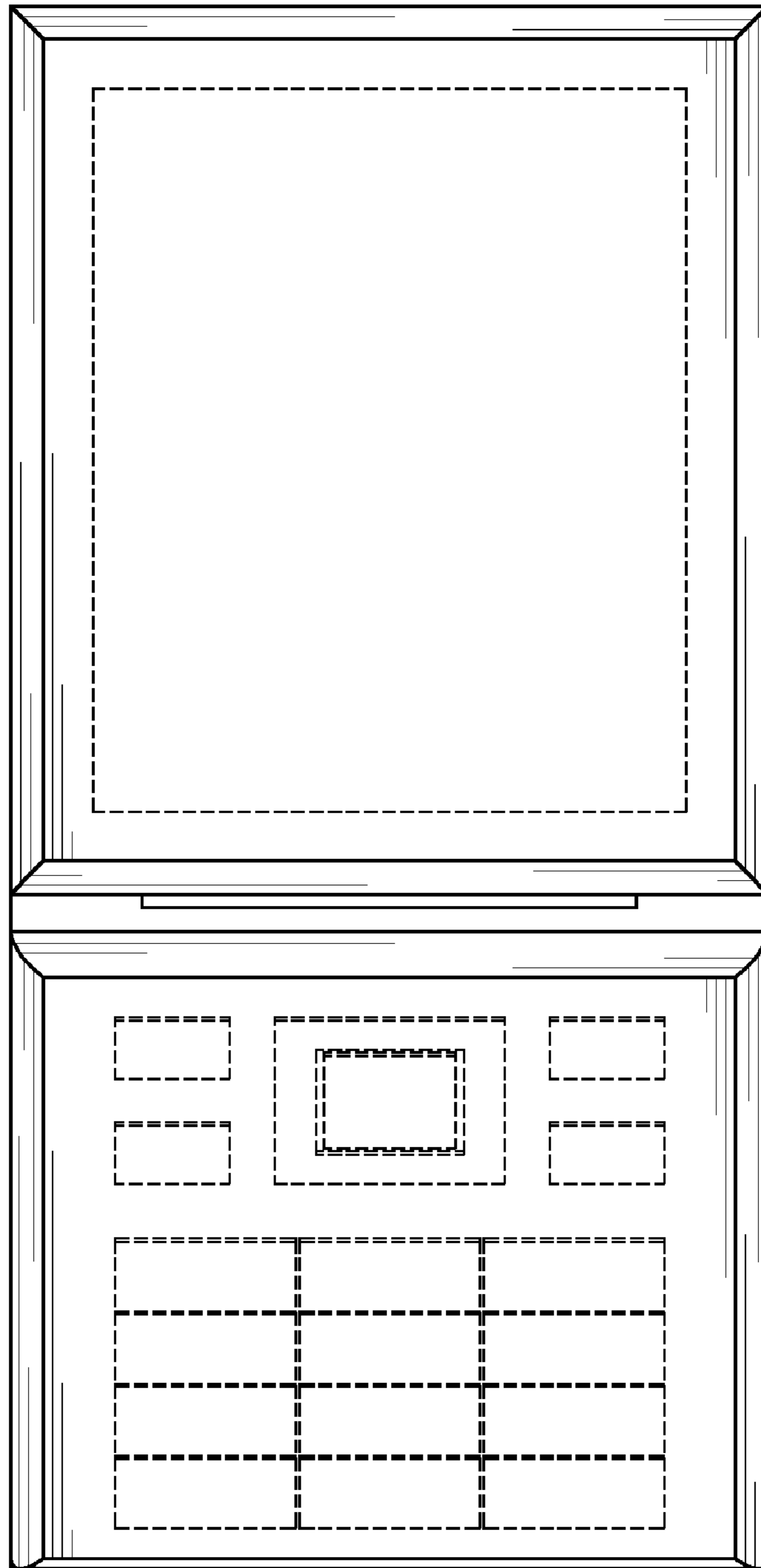


FIG. 21