



US00D629777S

(12) **United States Design Patent**
Li

(10) **Patent No.:** **US D629,777 S**
(45) **Date of Patent:** **** Dec. 28, 2010**

(54) **MOBILE PHONE**

(75) Inventor: **Jian-Hui Li**, Shenzhen (CN)

(73) Assignee: **FIH (Hong Kong) Limited**, Kowloon (HK)

(**) Term: **14 Years**

(21) Appl. No.: **29/353,974**

(22) Filed: **Jan. 18, 2010**

(30) **Foreign Application Priority Data**

Dec. 25, 2009 (CN) 2009 3 0331059

(51) **LOC (9) Cl.** **14-03**

(52) **U.S. Cl.** **D14/138 AA; D14/138 AB**

(58) **Field of Classification Search** **D14/138 AA, D14/496, 341, 345, 346, 203.3, 203.4, 203.7, D14/138 AD, 138 R, 138 AB; 455/575.1, 455/556.2, 556.1, 575.3; D21/517; 379/433.01, 379/433.04, 433.13; 361/679.04, 679.56**
See application file for complete search history.

(56) **References Cited**

U.S. PATENT DOCUMENTS

- 5,103,376 A * 4/1992 Blonder 361/679.09
- 5,644,469 A * 7/1997 Shioya et al. 361/679.06
- 5,900,848 A * 5/1999 Haneda et al. 345/1.1
- 6,249,431 B1 * 6/2001 Chan 361/679.27
- 6,483,445 B1 * 11/2002 England 341/22
- 6,757,157 B2 * 6/2004 Lammintauss et al. 361/679.3
- D496,944 S * 10/2004 Huang D14/203.4
- 6,850,226 B2 * 2/2005 Finke-Anlauff 345/169
- 6,999,802 B2 * 2/2006 Kim 455/575.1
- 7,187,364 B2 * 3/2007 Duarte et al. 345/168
- D542,763 S * 5/2007 Kim et al. D14/138 AA
- D543,528 S * 5/2007 Kim et al. D14/138 AB
- D555,623 S * 11/2007 Cho et al. D14/138 AB
- D560,196 S * 1/2008 Kim et al. D14/138 AA
- 7,499,264 B2 * 3/2009 Kemppinen 361/679.27
- D590,388 S * 4/2009 Price et al. D14/345
- D598,447 S * 8/2009 Hamada et al. D14/345
- 7,599,181 B2 * 10/2009 Chuang et al. 361/679.55

- D605,710 S * 12/2009 Ben-Moshe D21/517
- D607,864 S * 1/2010 Zhou et al. D14/138 AA
- D608,754 S * 1/2010 Zhou et al. D14/138 AA
- 7,756,554 B2 * 7/2010 Jung 455/575.3
- 2006/0073859 A1 * 4/2006 Chou 455/575.4
- 2009/0005130 A1 * 1/2009 Ishikura et al. 455/575.3
- 2009/0117955 A1 * 5/2009 Lo 455/575.3
- 2009/0233659 A1 * 9/2009 Ke et al. 455/575.3
- 2010/0004036 A1 * 1/2010 Liu 455/575.1
- 2010/0123646 A1 * 5/2010 Richardson 345/1.3

OTHER PUBLICATIONS

LG V9000 telephone, announced Feb. 2006, [online], [site visited Aug. 17, 2010]. Available from Internet, <URL: <http://www.gsmarena.com>>.*

* cited by examiner

Primary Examiner—Jeffrey D Asch

(74) *Attorney, Agent, or Firm*—Steven M. Reiss

(57) **CLAIM**

The ornamental design for a mobile phone, as shown and described.

DESCRIPTION

FIG. 1 is a perspective view of a mobile phone showing my new design and in a first configuration;

FIG. 2 is a front elevational view of the new design and in the first configuration;

FIG. 3 is a rear elevational view of the new design and in the first configuration;

FIG. 4 is a left side elevational view of the new design and in the first configuration;

FIG. 5 is a right side elevational view of the new design and in the first configuration;

FIG. 6 is a top plan view of the new design and in the first configuration;

FIG. 7 is a bottom plan view of the new design and in the first configuration;

FIG. 8 is a perspective view of the mobile phone of FIG. 1 in a second configuration;

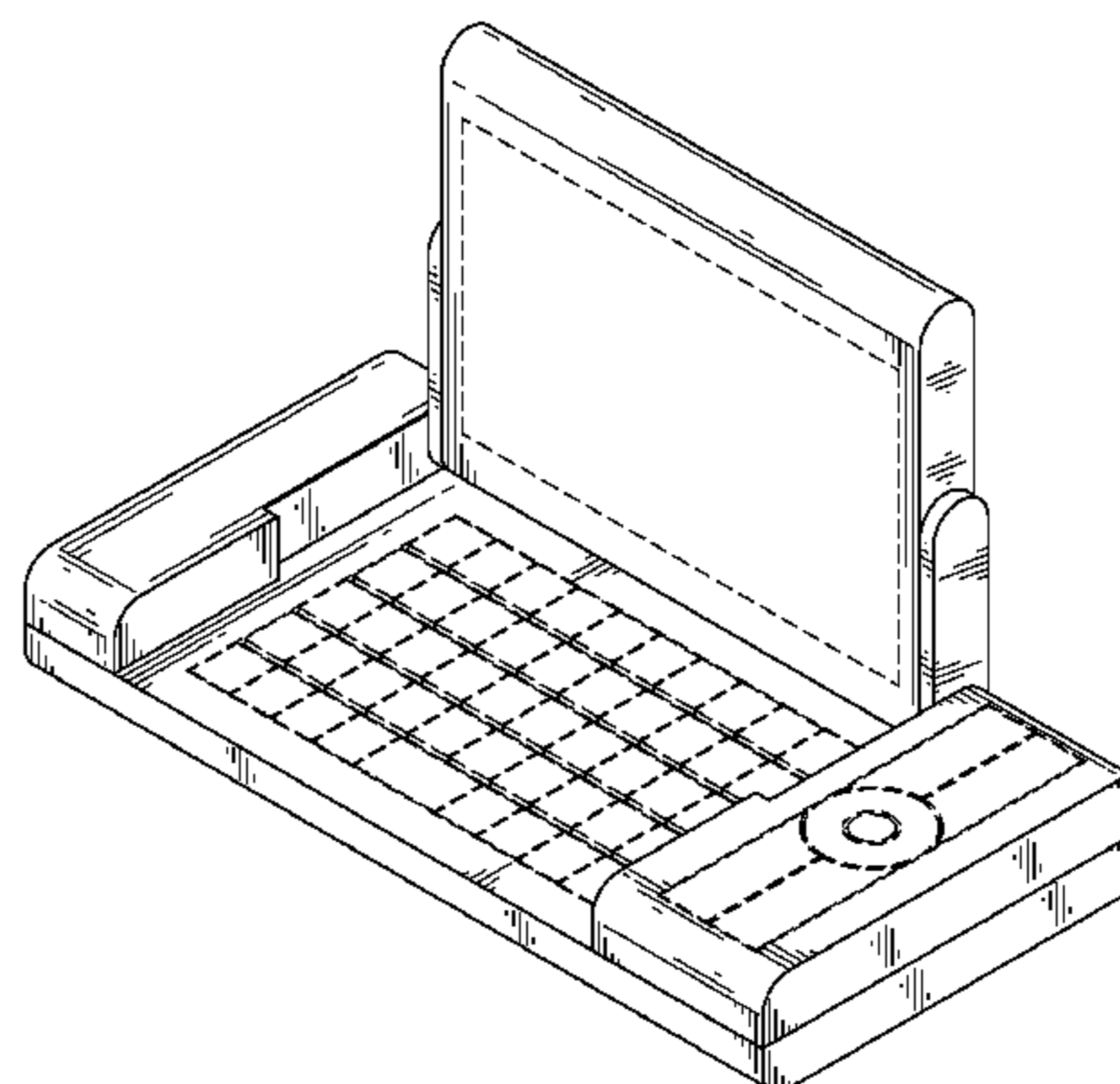
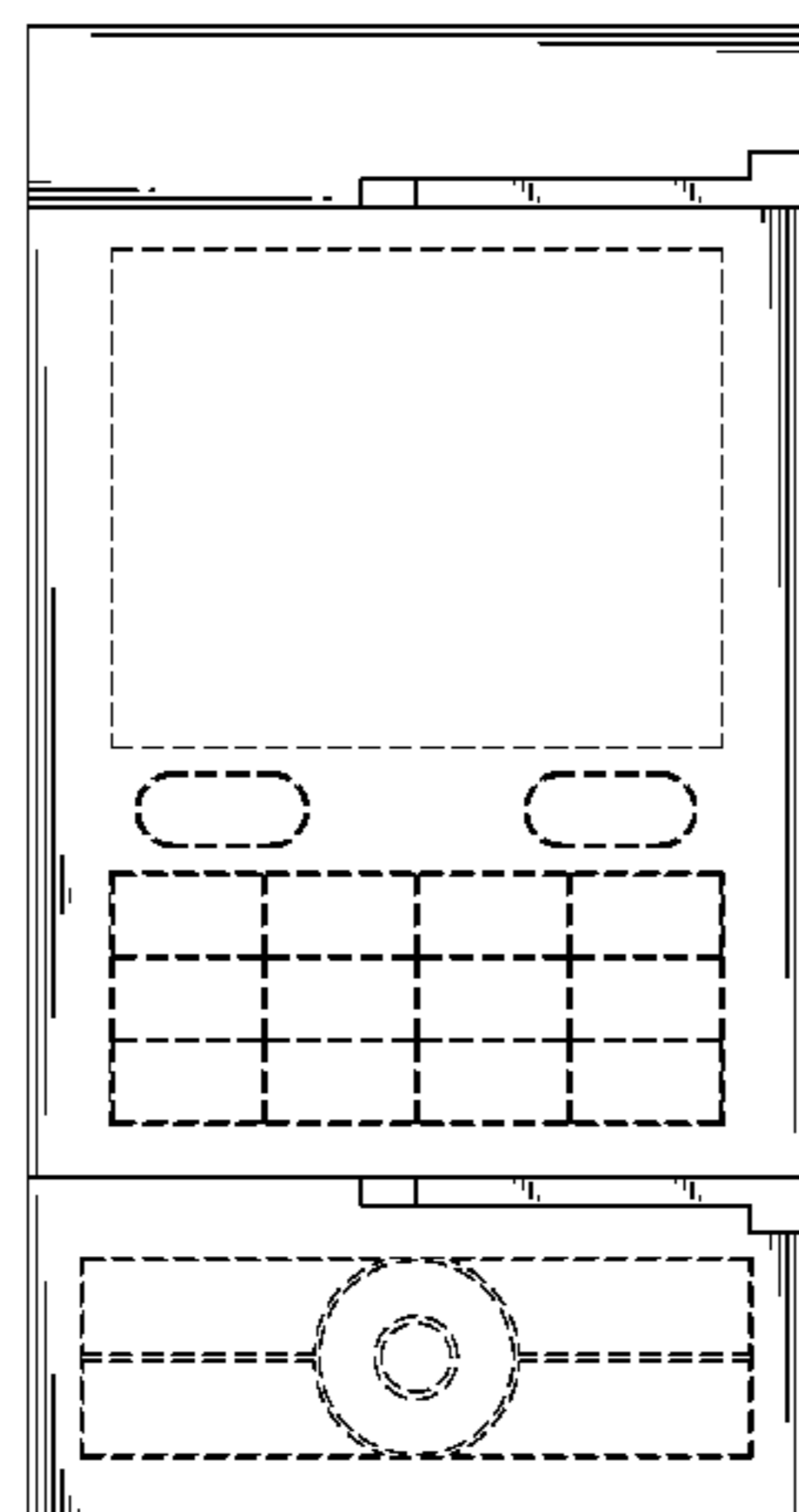


FIG. **9** is a front elevational view of the new design and in the second configuration;

FIG. **10** is a rear elevational view of the new design and in the second configuration;

FIG. **11** is a left side elevational view of the new design and in the second configuration;

FIG. **12** is a right side elevational view of the new design and in the second configuration;

FIG. **13** is a top plan view of the new design and in the second configuration;

FIG. **14** is a bottom plan view of the new design and in the second configuration;

FIG. **15** is a perspective view of the mobile phone of FIG. **1** in a third configuration;

FIG. **16** is a front elevational view of the new design and in the third configuration;

FIG. **17** is a rear elevational view of the new design and in the third configuration;

FIG. **18** is a left side elevational view of the new design and in the third configuration;

FIG. **19** is a right side elevational view of the new design and in the third configuration;

FIG. **20** is a top plan view of the new design and in the third configuration; and,

FIG. **21** is a bottom plan view of the new design and in the third configuration.

The broken lines shown throughout the views, which are immediately adjacent to the shaded areas and define unshaded regions, represent the bounds of the claimed design, while all other broken lines are directed to environment and are for illustrative purposes only; the broken lines form no part of the claimed design.

1 Claim, 21 Drawing Sheets

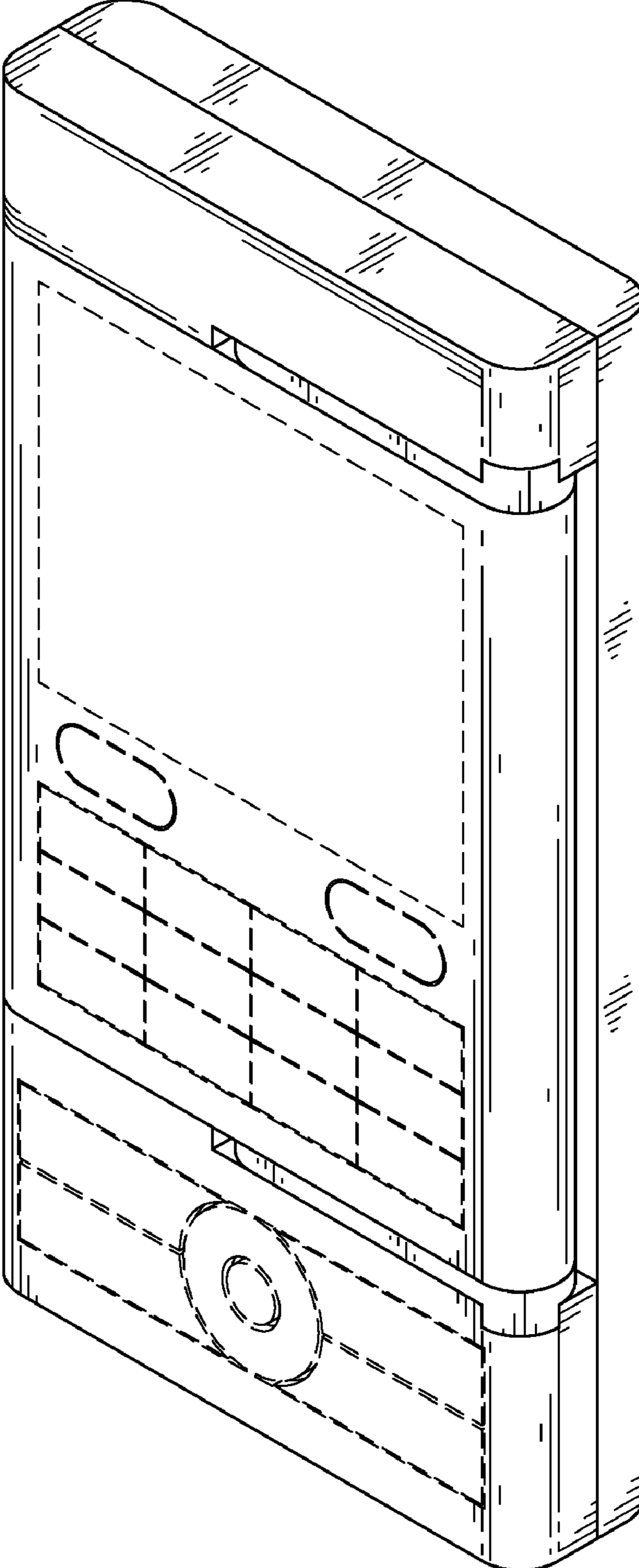


FIG. 1

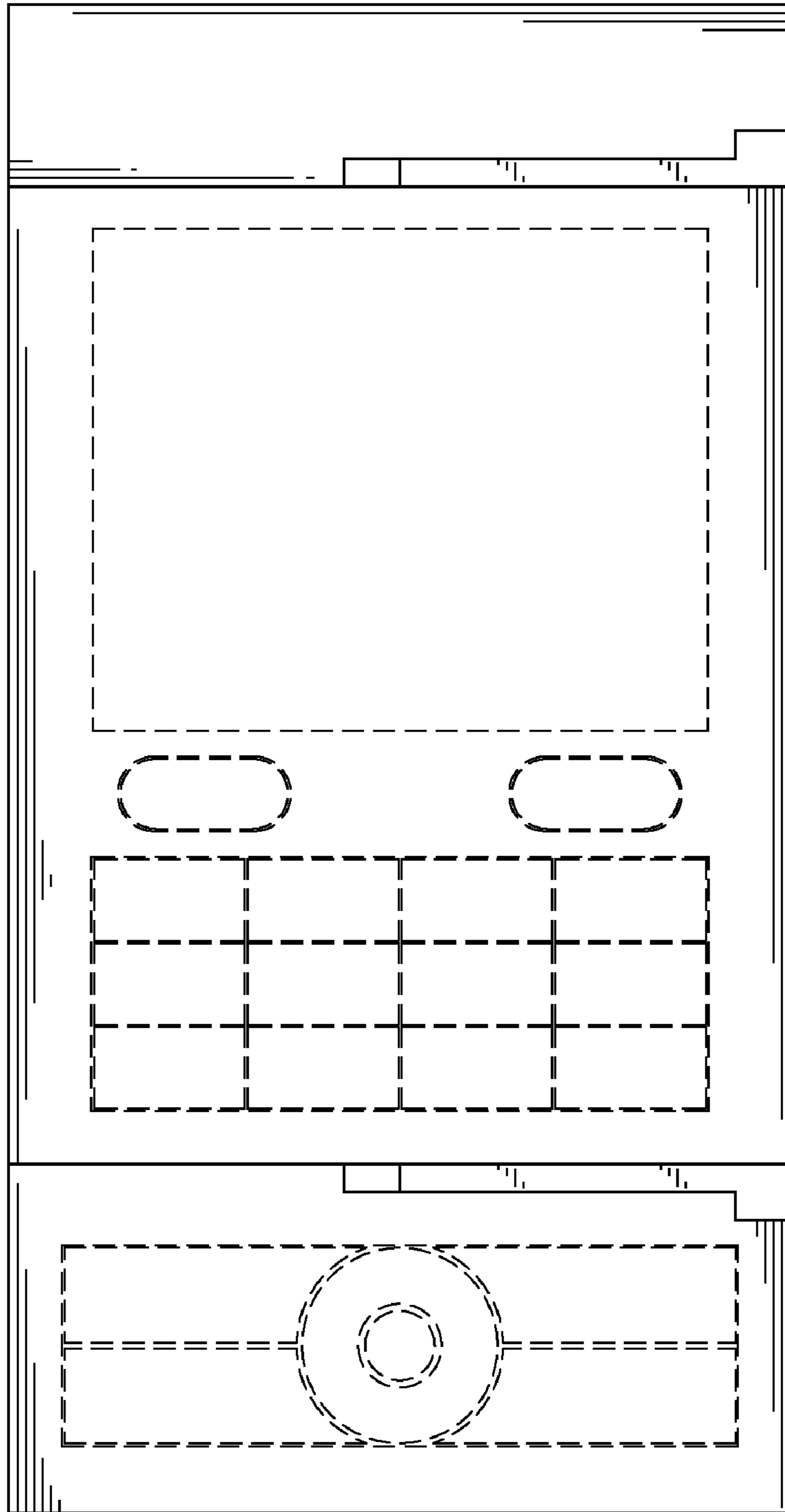


FIG. 2

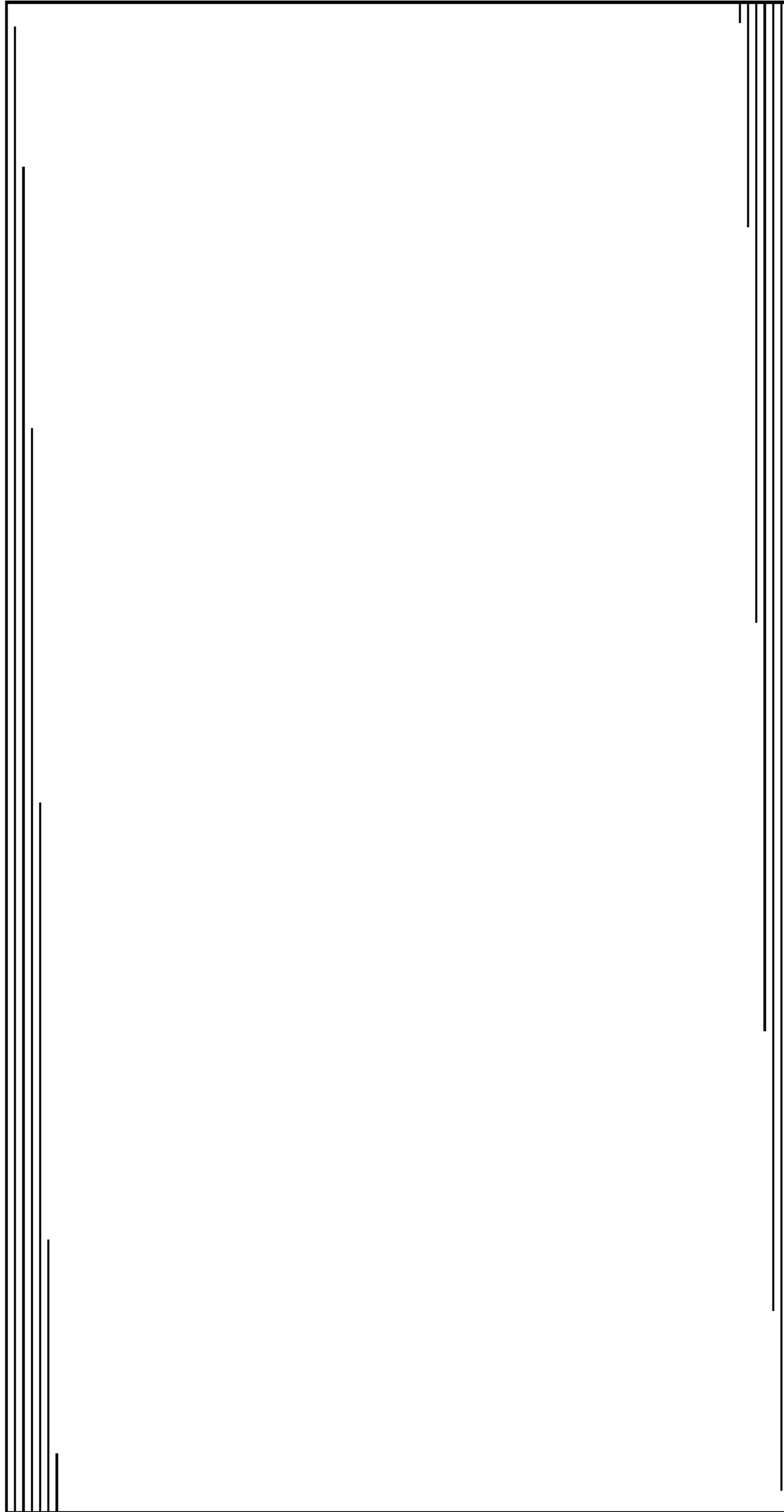


FIG. 3

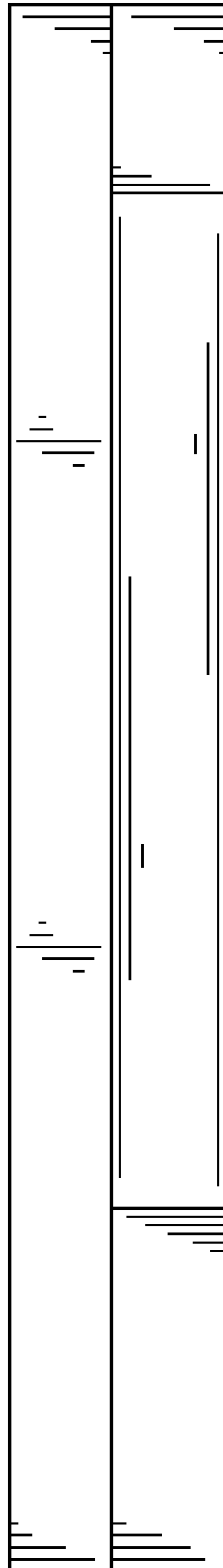


FIG. 4

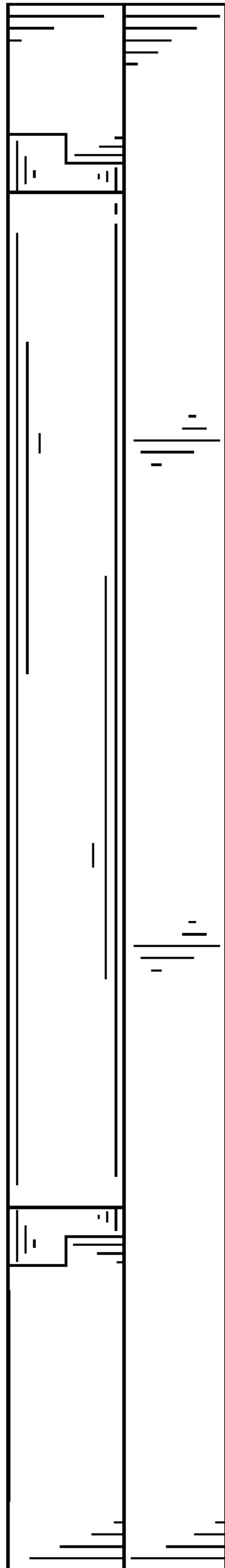


FIG. 5



FIG. 6



FIG. 7

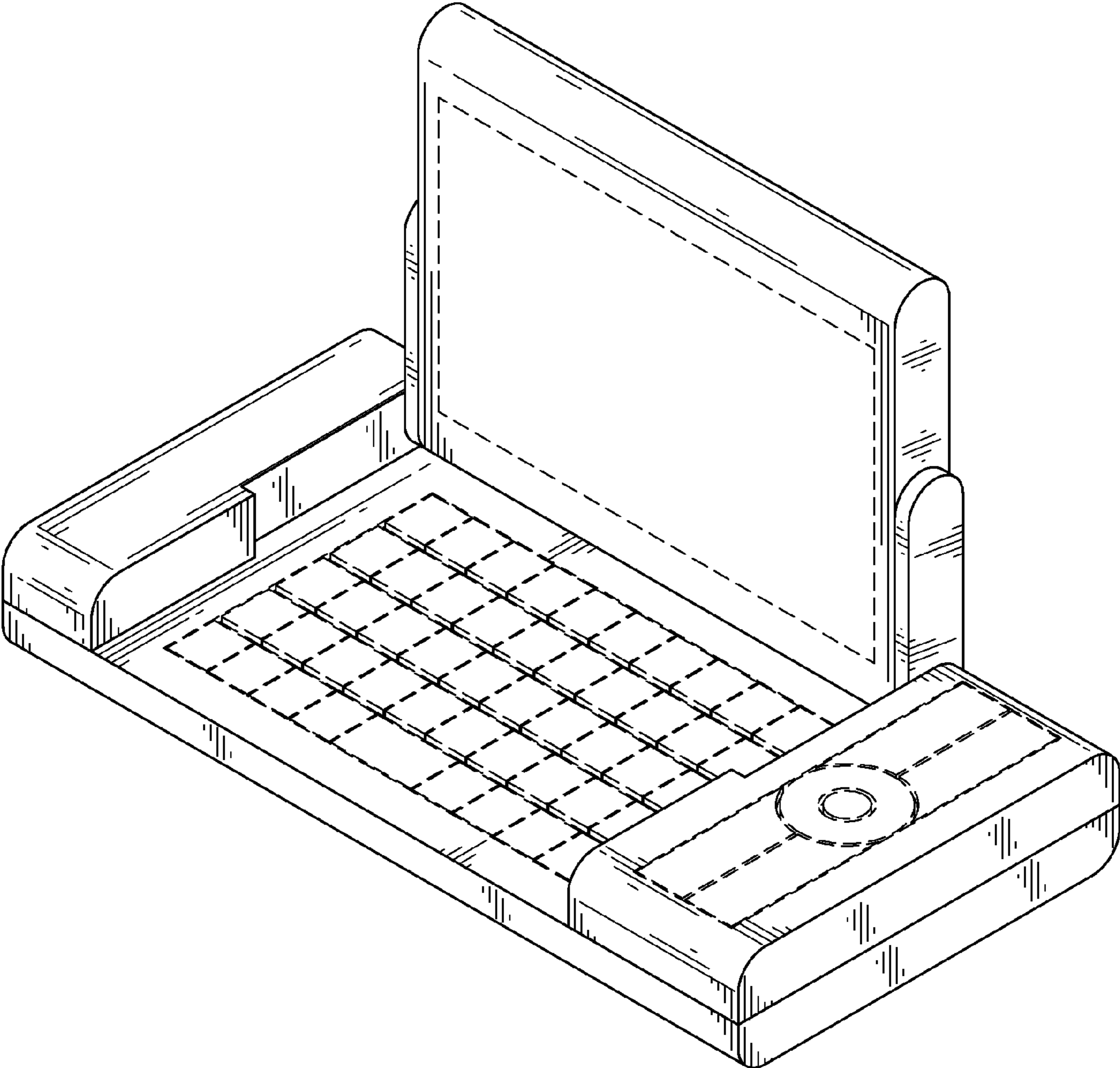


FIG. 8

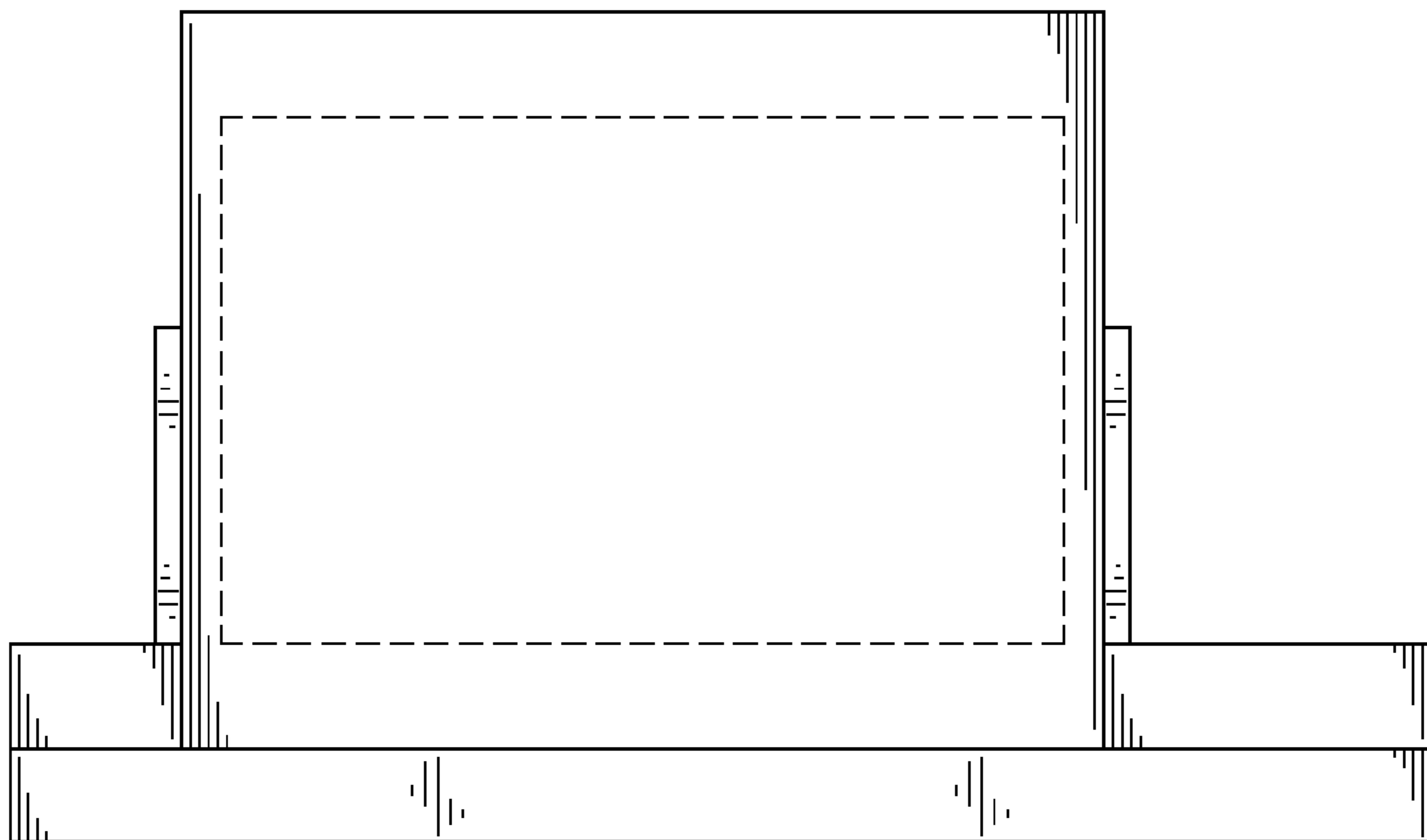


FIG. 9

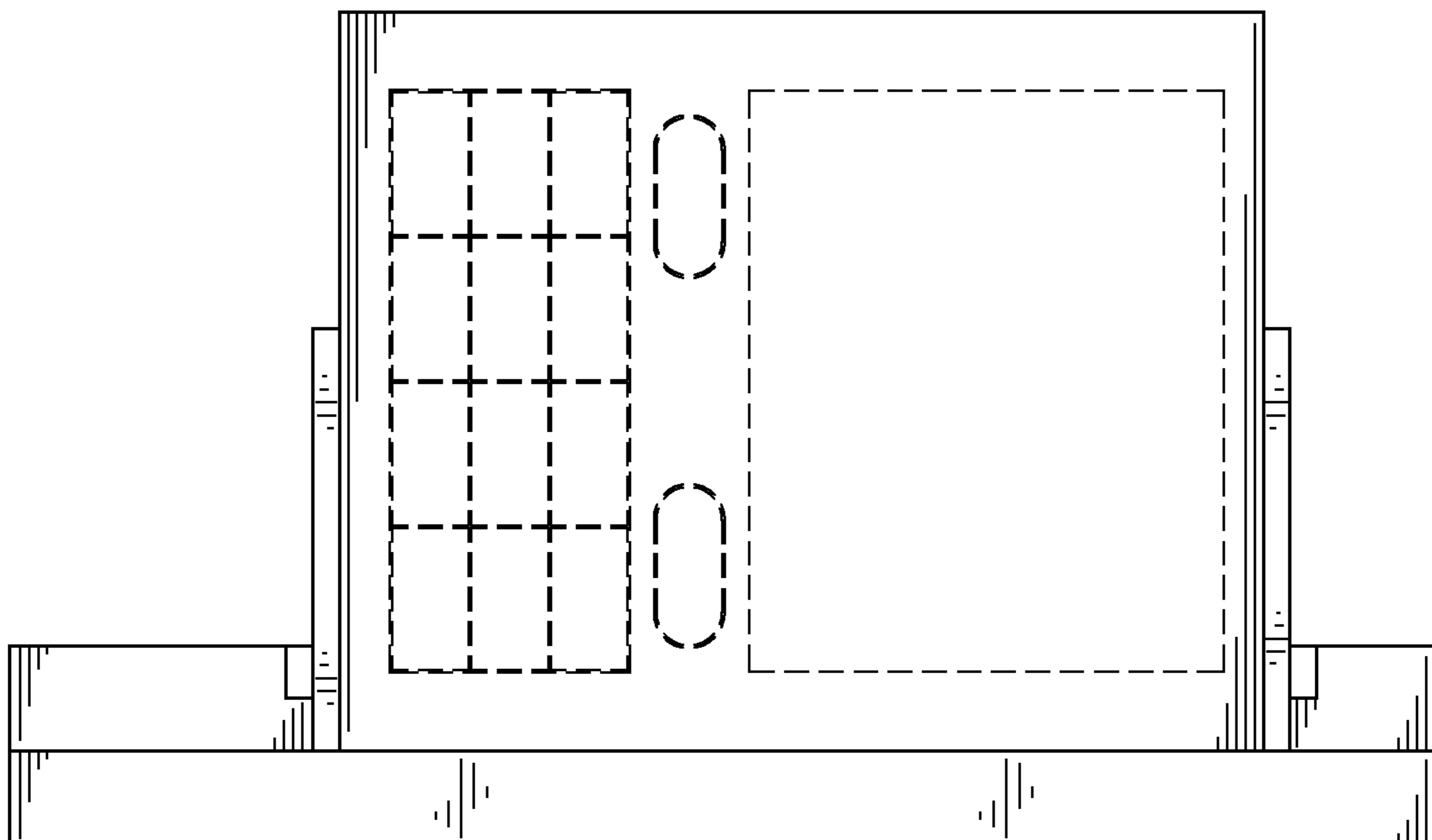


FIG. 10

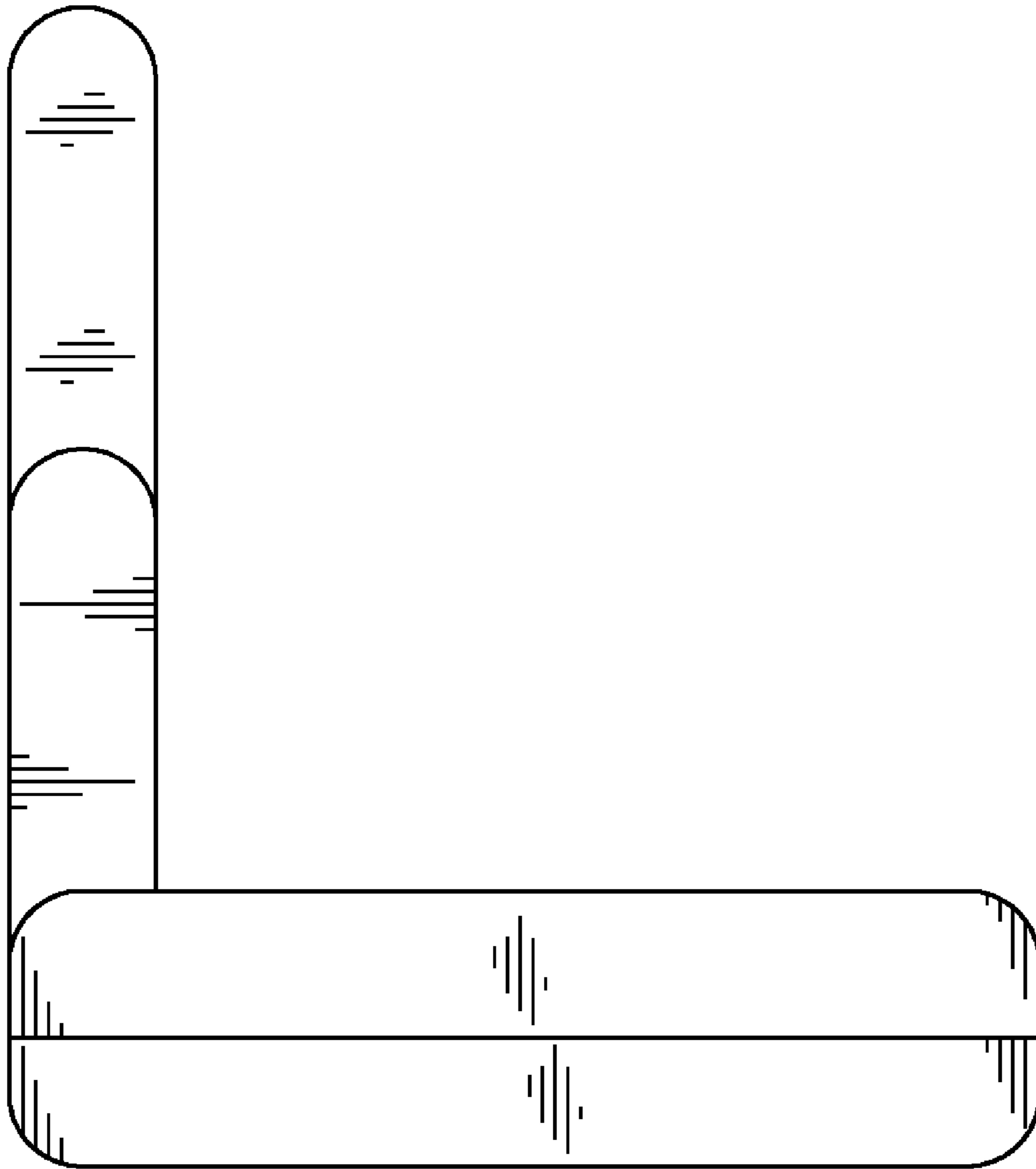


FIG. 11

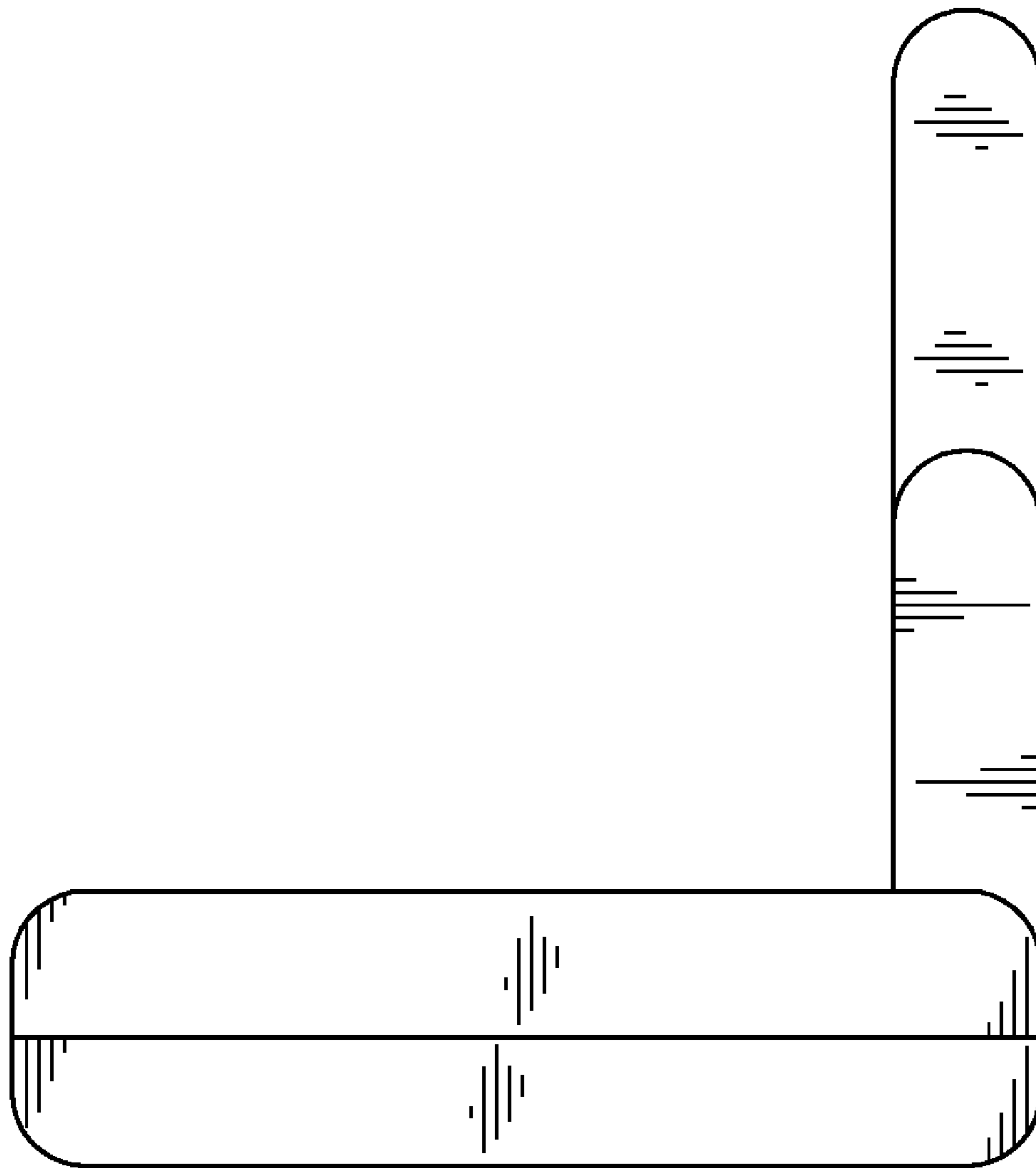


FIG. 12

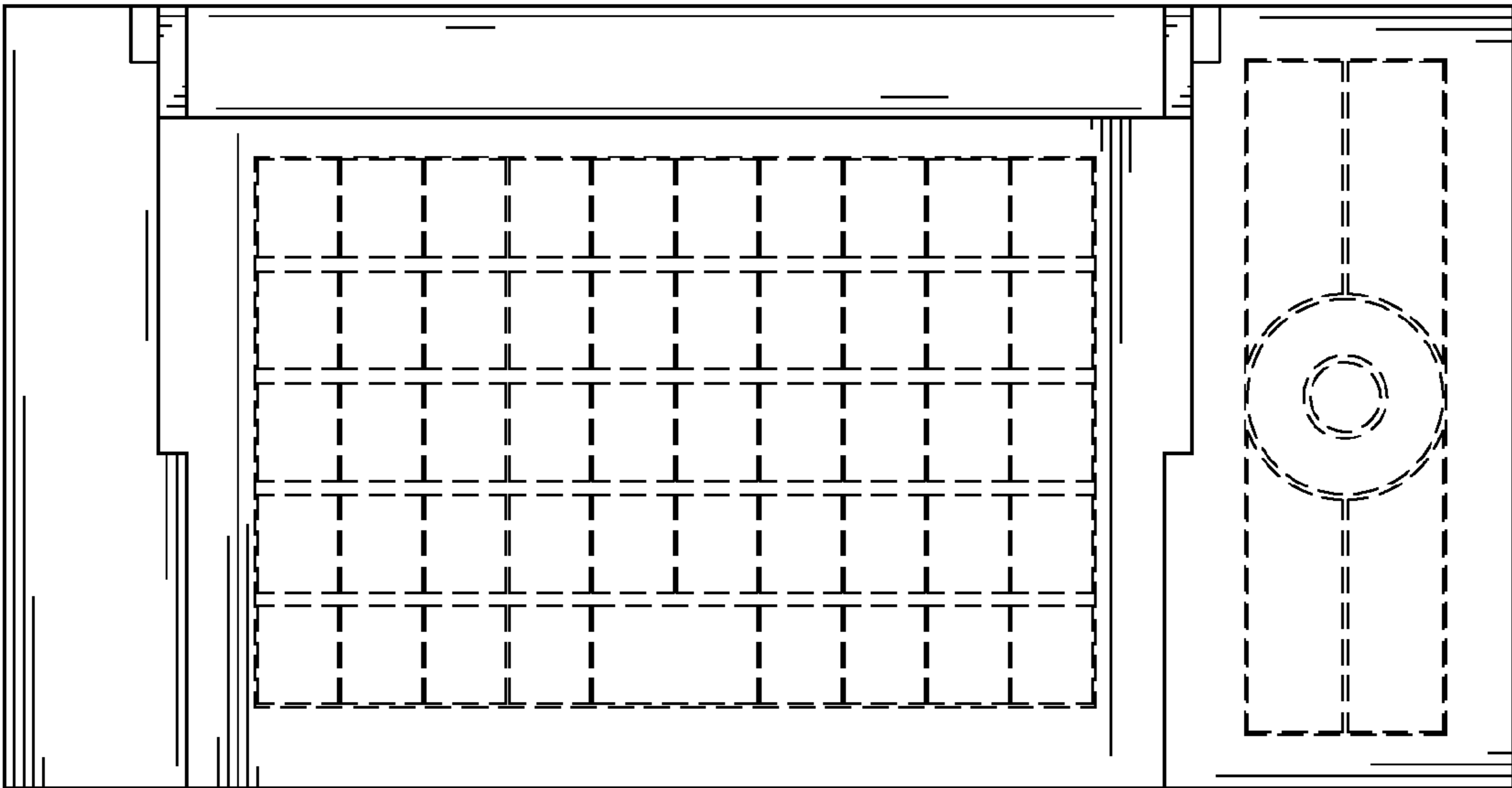


FIG. 13

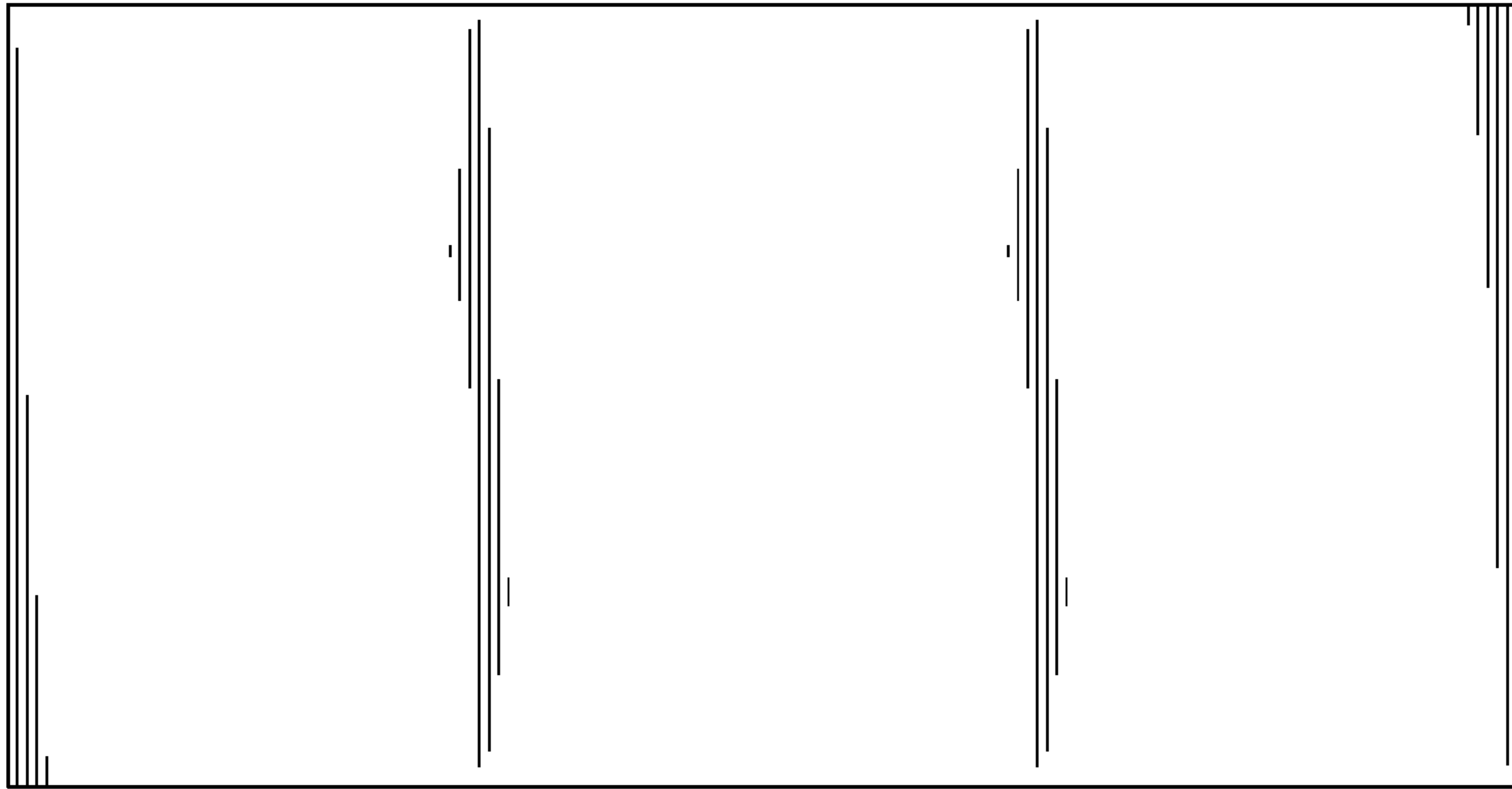


FIG. 14

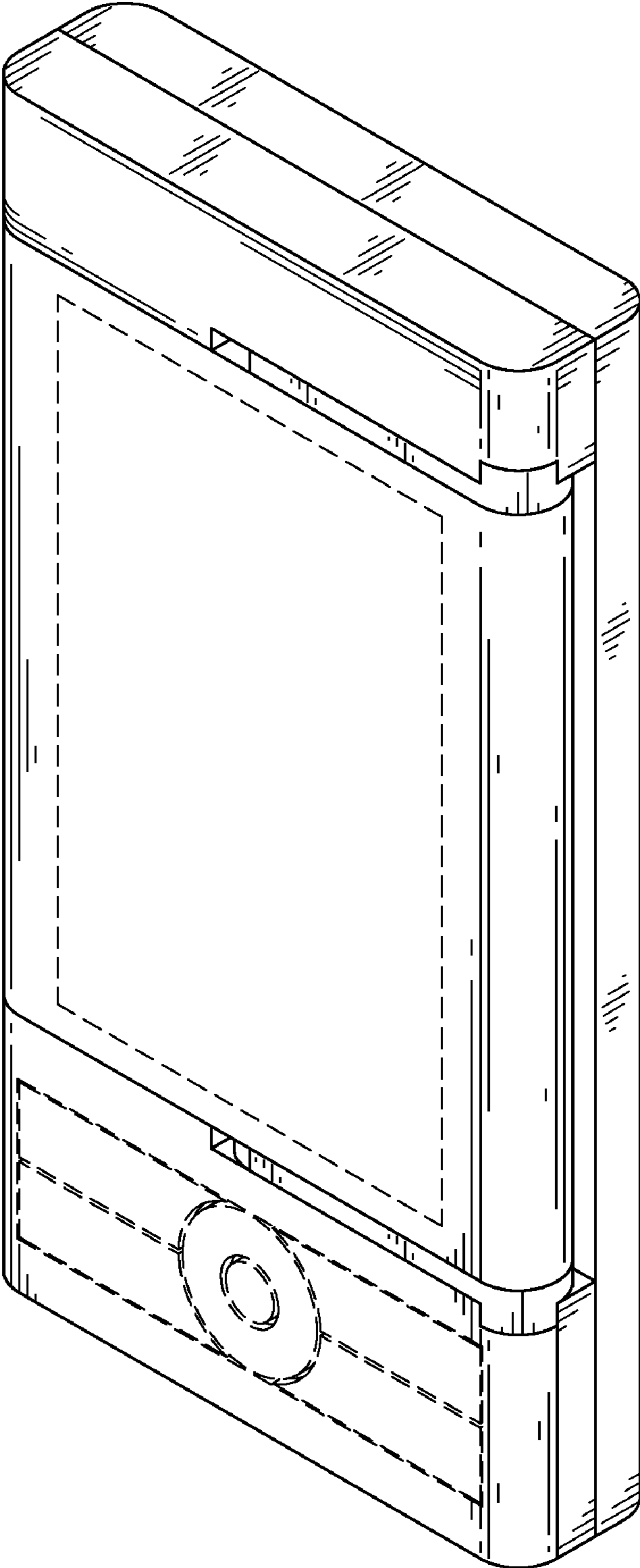


FIG. 15

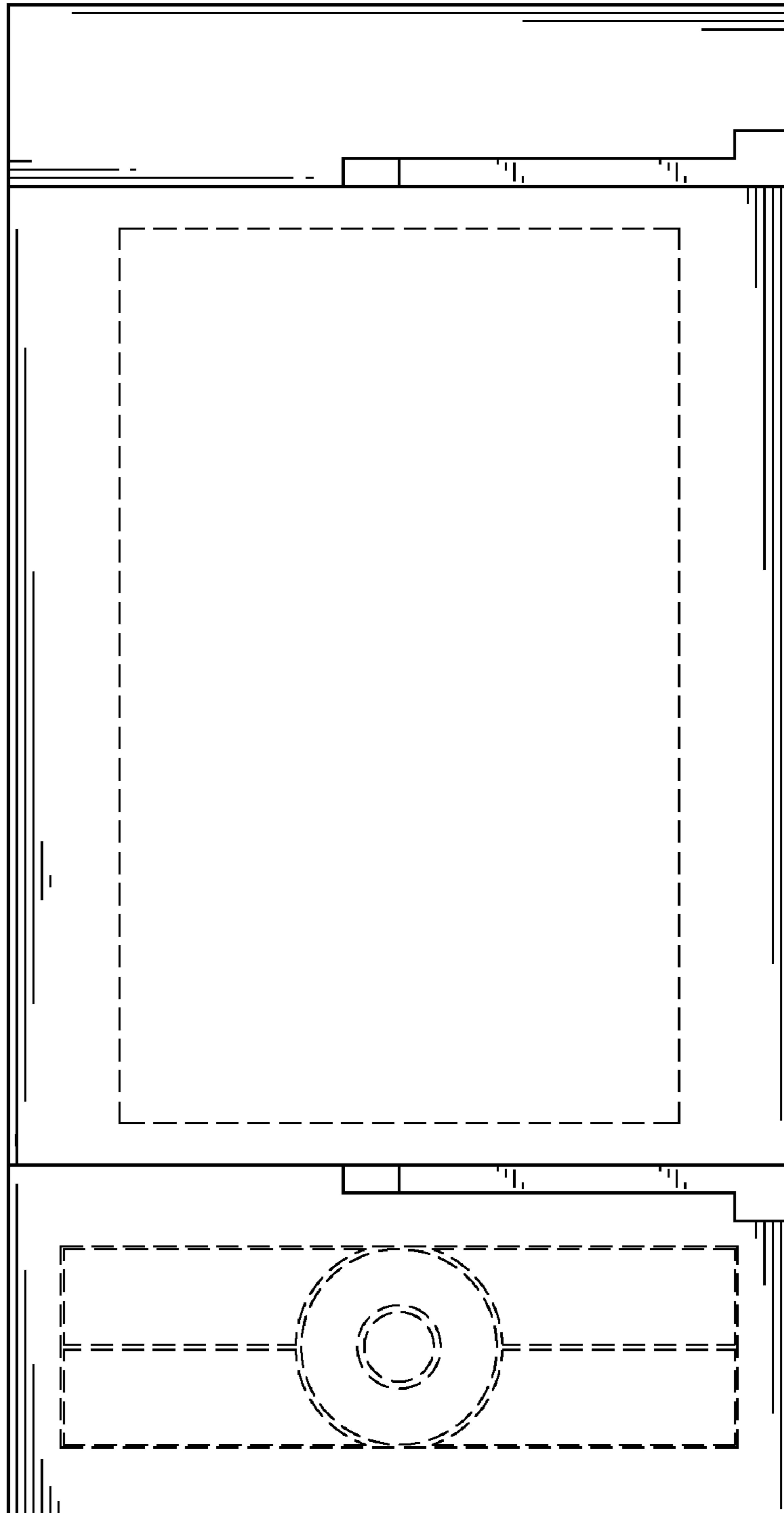


FIG. 16

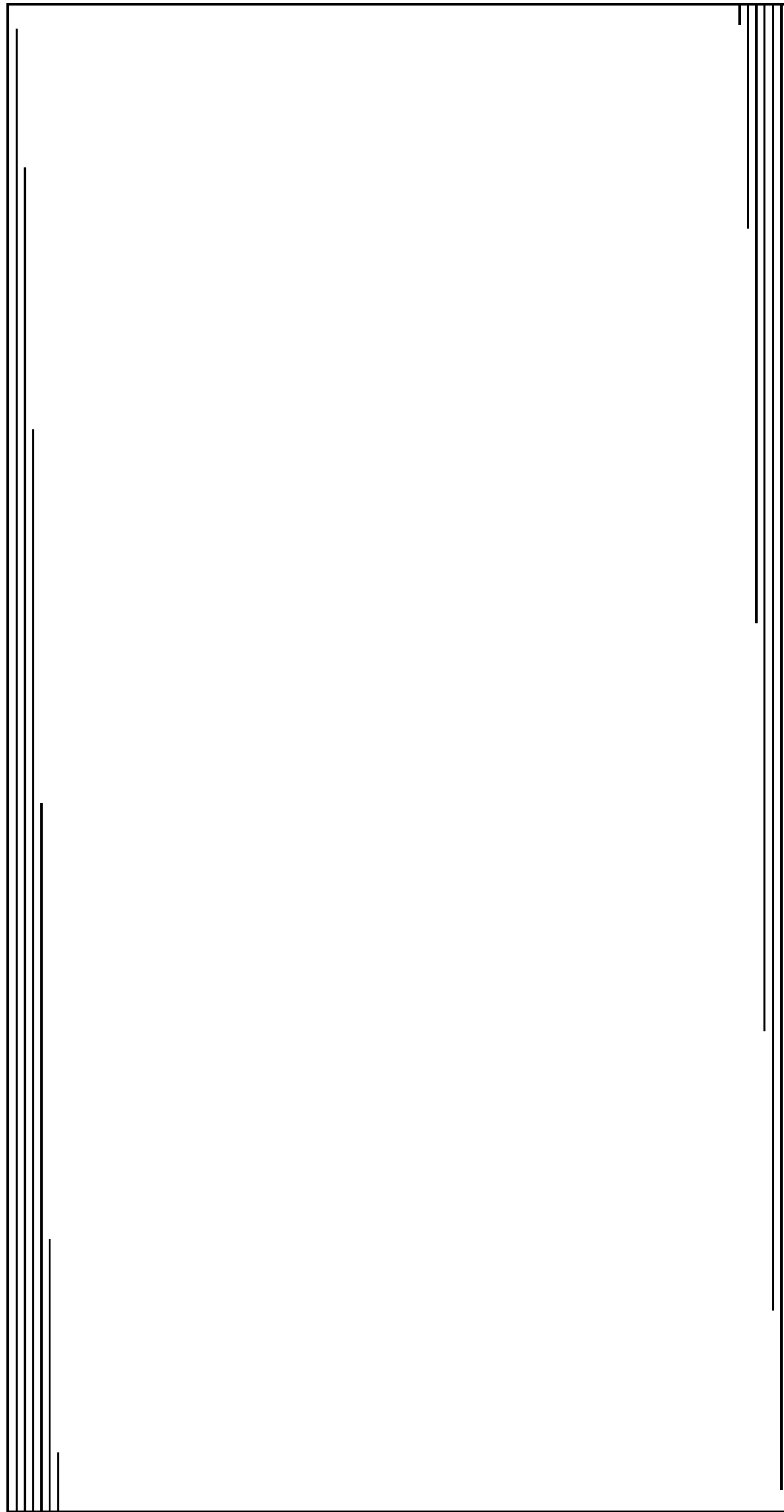


FIG. 17

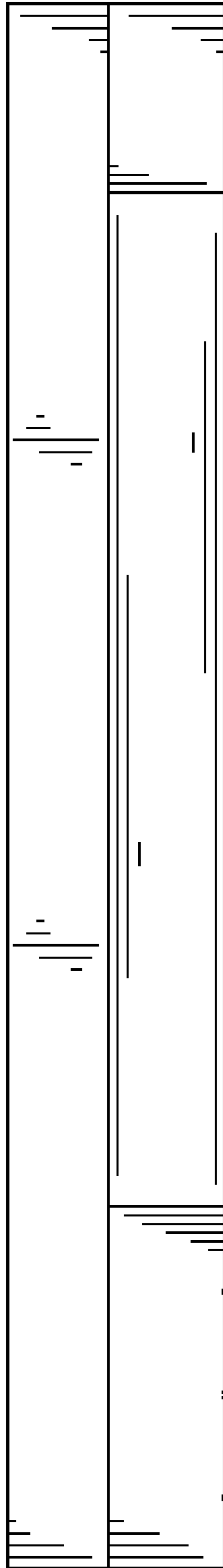


FIG. 18

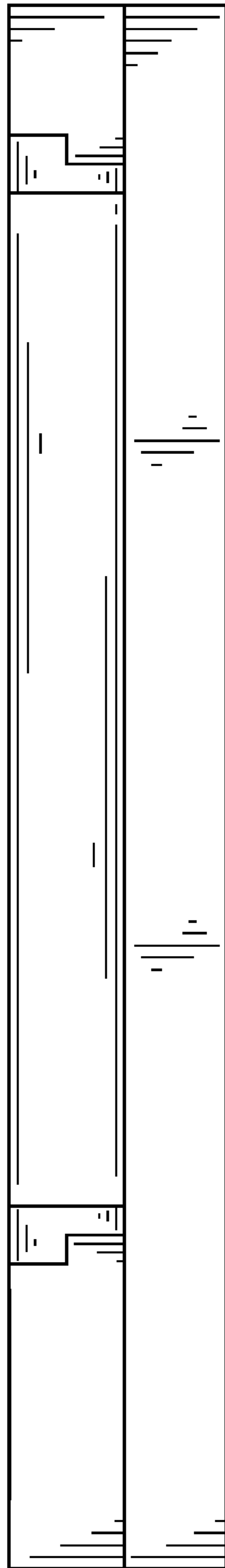


FIG. 19



FIG. 20



FIG. 21