



US00D629776S

(12) **United States Design Patent**  
**Lee et al.**

(10) **Patent No.:** **US D629,776 S**  
(45) **Date of Patent:** **\*\* Dec. 28, 2010**

(54) **MOBILE PHONE**

(75) Inventors: **Kyung-Jin Lee**, Seoul (KR); **Nam-Mi Kim**, Seoul (KR); **Young-Keun Lee**, Seoul (KR)

(73) Assignee: **Samsung Electronics Co., Ltd.** (KR)

(\*\*) Term: **14 Years**

(21) Appl. No.: **29/352,292**

(22) Filed: **Dec. 18, 2009**

(30) **Foreign Application Priority Data**

Nov. 6, 2009 (KR) ..... 30-2009-0048853

(51) **LOC (9) Cl.** ..... **14-03**

(52) **U.S. Cl.** ..... **D14/138 AD; D14/138 G**

(58) **Field of Classification Search** ..... D14/138 R,  
D14/138 AD, 138 AC, 138 C, 138 G, 191,  
D14/203.1–203.8, 496, 138 AA, 138 AB,  
D14/247–248, 137, 147, 218, 341–347; D10/65,  
D10/78, 104; D13/168; D18/7; 455/566,  
455/575.1, 575.3

See application file for complete search history.

(56) **References Cited**

**U.S. PATENT DOCUMENTS**

D528,090 S \* 9/2006 Lee et al. .... D14/138 AD  
D543,174 S \* 5/2007 Kim ..... D14/138 AD  
D545,289 S \* 6/2007 Wang ..... D14/138 AD  
D548,713 S \* 8/2007 Lee et al. .... D14/138 AD  
D552,580 S \* 10/2007 Mun ..... D14/138 AD  
D553,596 S \* 10/2007 Kim et al. .... D14/138 AD  
D554,098 S \* 10/2007 Lee ..... D14/138 AD  
D558,720 S \* 1/2008 Lee et al. .... D14/138 AD  
D559,220 S \* 1/2008 Lee et al. .... D14/138 AD  
D560,192 S \* 1/2008 Lee et al. .... D14/138 AD

D560,193 S \* 1/2008 Sung et al. .... D14/138 AD  
D561,724 S \* 2/2008 Kim et al. .... D14/138 AD  
D562,795 S \* 2/2008 Nara ..... D14/138 AD

(Continued)

**OTHER PUBLICATIONS**

Acer M900, announced Feb. 2009, [online], [retrieved on Oct. 28, 2009]. Retrieved from Internet ,<URL: <http://www.gsmarena.com>>.\*

(Continued)

*Primary Examiner*—Bridget L Eland  
(74) *Attorney, Agent, or Firm*—NSIP Law

(57) **CLAIM**

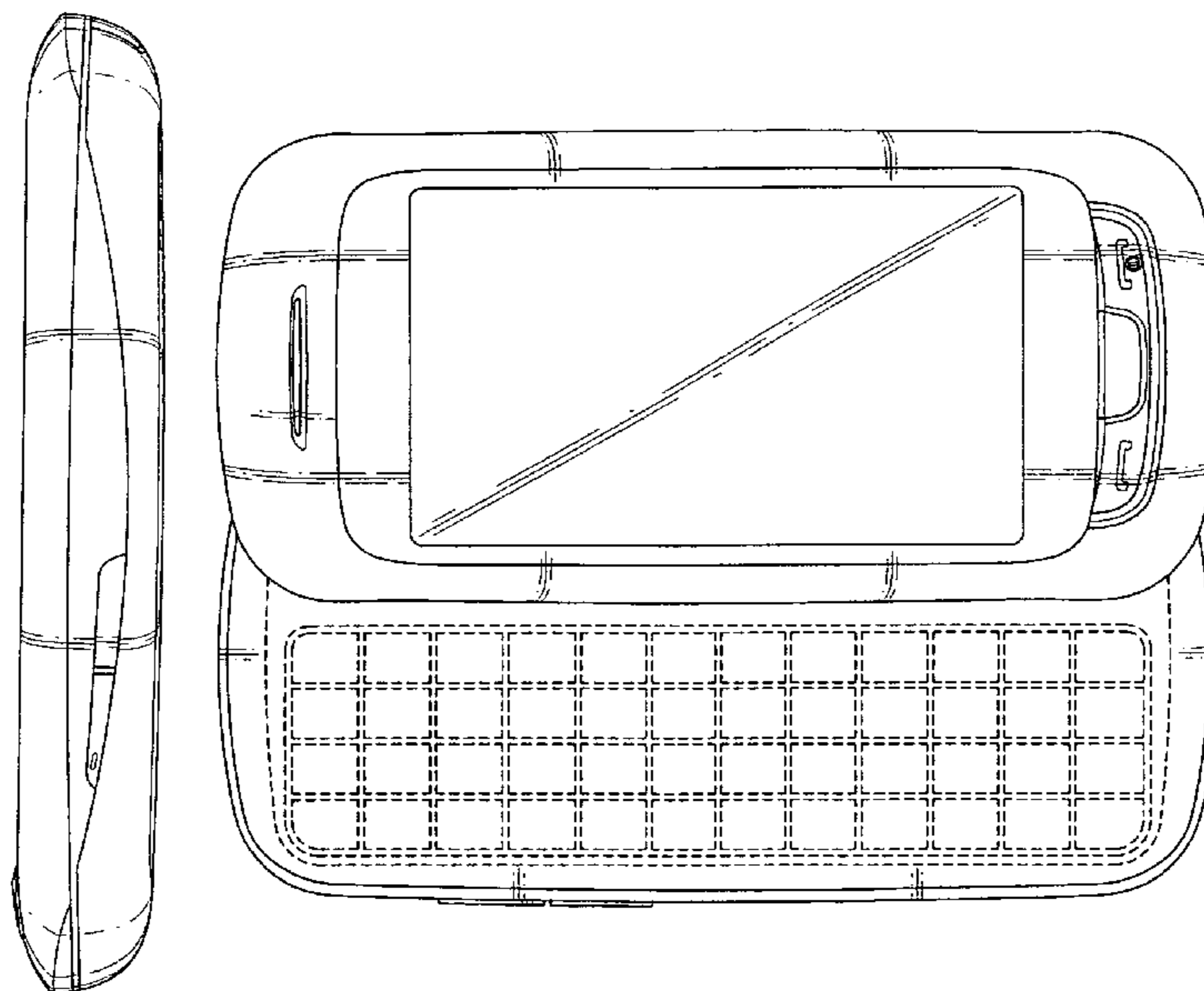
The ornamental design for a mobile phone, as shown and described.

**DESCRIPTION**

FIG. 1 is a perspective view of a mobile phone;  
FIG. 2 is a front view of the mobile phone of FIG. 1;  
FIG. 3 is a rear view of the mobile phone of FIG. 1;  
FIG. 4 is a left-side view of the mobile phone of FIG. 1;  
FIG. 5 is a right-side view of the mobile phone of FIG. 1;  
FIG. 6 is a top plan view of the mobile phone of FIG. 1;  
FIG. 7 is a bottom plan view of the mobile phone of FIG. 1;  
and,  
FIG. 8 is an open view of the mobile phone of FIG. 1.

The broken lines shown in FIG. 8 that are immediately adjacent the shaded areas represent the bounds of the claimed design while all other broken lines are directed to environment and are for illustrative purposes only; the broken lines form no part of the claimed design.

**1 Claim, 6 Drawing Sheets**



# US D629,776 S

Page 2

## U.S. PATENT DOCUMENTS

D563,933 S \* 3/2008 Lee et al. .... D14/138 AB  
D565,533 S \* 4/2008 Kim et al. .... D14/138 AD  
D578,098 S \* 10/2008 Oh ..... D14/138 AD  
D578,500 S \* 10/2008 Lee et al. .... D14/138 G  
D580,396 S \* 11/2008 Kang ..... D14/138 G  
D580,905 S \* 11/2008 Park et al. .... D14/138 AD  
D581,894 S \* 12/2008 Kim ..... D14/138 G  
D585,411 S \* 1/2009 Eaton ..... D14/138 G  
D585,418 S \* 1/2009 Laine ..... D14/138 AD  
D589,924 S \* 4/2009 Jung et al. .... D14/138 AD  
D592,167 S \* 5/2009 Park et al. .... D14/138 AD  
D594,433 S \* 6/2009 Seo et al. .... D14/138 AD  
D601,993 S \* 10/2009 Yun et al. .... D14/138 AD  
D602,461 S \* 10/2009 Kim et al. .... D14/138 AD  
D603,356 S \* 11/2009 Sterzick et al. .... D14/138 G  
D606,506 S \* 12/2009 Choi et al. .... D14/138 AD  
D607,865 S \* 1/2010 Lee et al. .... D14/138 AD

D608,331 S \* 1/2010 Kim et al. .... D14/138 AC  
D614,155 S \* 4/2010 Jang et al. .... D14/138 AD  
2003/0125094 A1\* 7/2003 Hyun et al. .... 455/566  
2005/0107119 A1\* 5/2005 Lee et al. .... 455/556.1  
2007/0218963 A1\* 9/2007 Kim ..... 455/575.4  
2008/0039157 A1\* 2/2008 Park ..... 455/575.1  
2008/0096616 A1\* 4/2008 Choi ..... 455/575.1  
2008/0242359 A1\* 10/2008 Seol et al. .... 455/566  
2009/0312065 A1\* 12/2009 Wang et al. .... 455/566

## OTHER PUBLICATIONS

i-mobile TV650 Touch, announced Jul. 2009, [online], [retrieved on Jul. 20, 2009]. Retrieved from Internet ,<URL: <http://www.gsmarena.com>>.\*

Samsung Impression, announced Mar. 2009, [online], [retrieved on Apr. 16, 2009]. Retrieved from Internet ,<URL: <http://www.gsmarena.com>>.\*

\* cited by examiner

FIG. 1

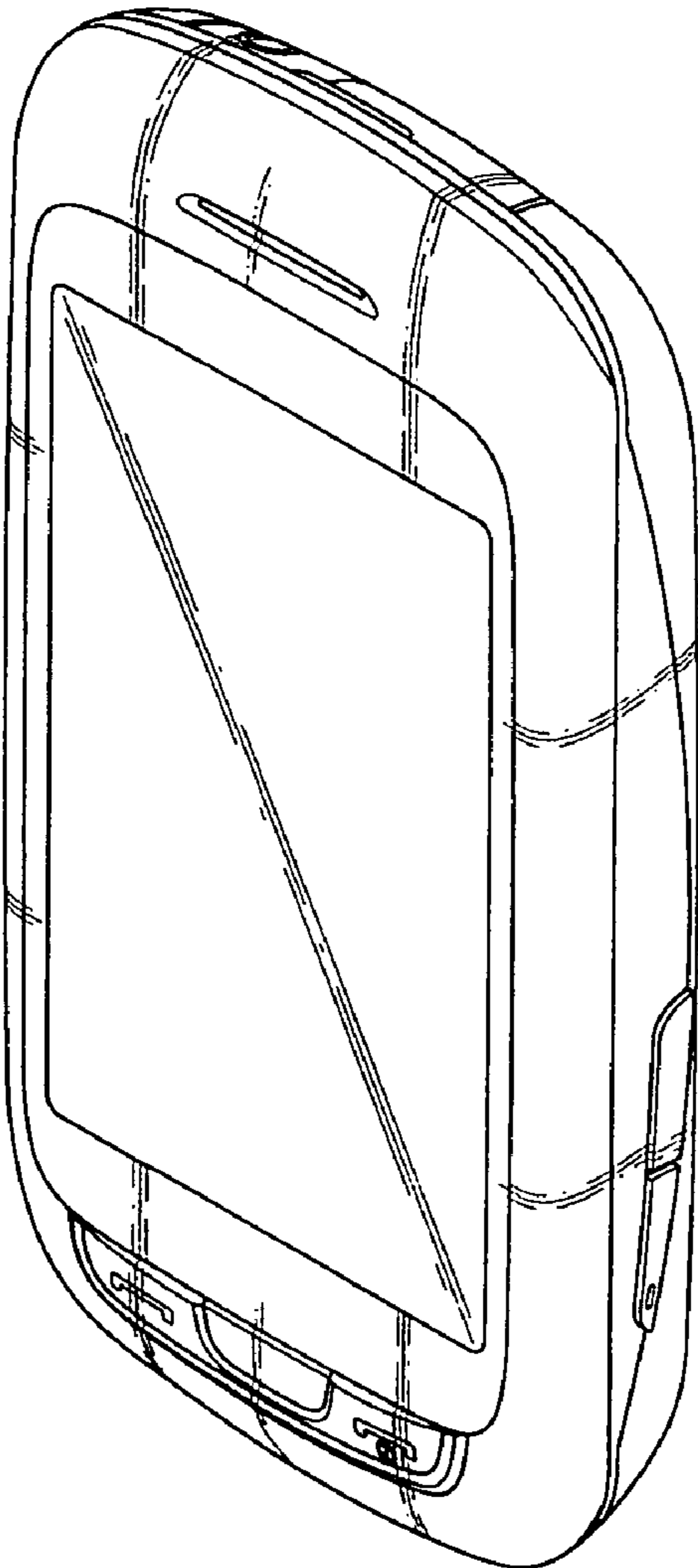


FIG. 2

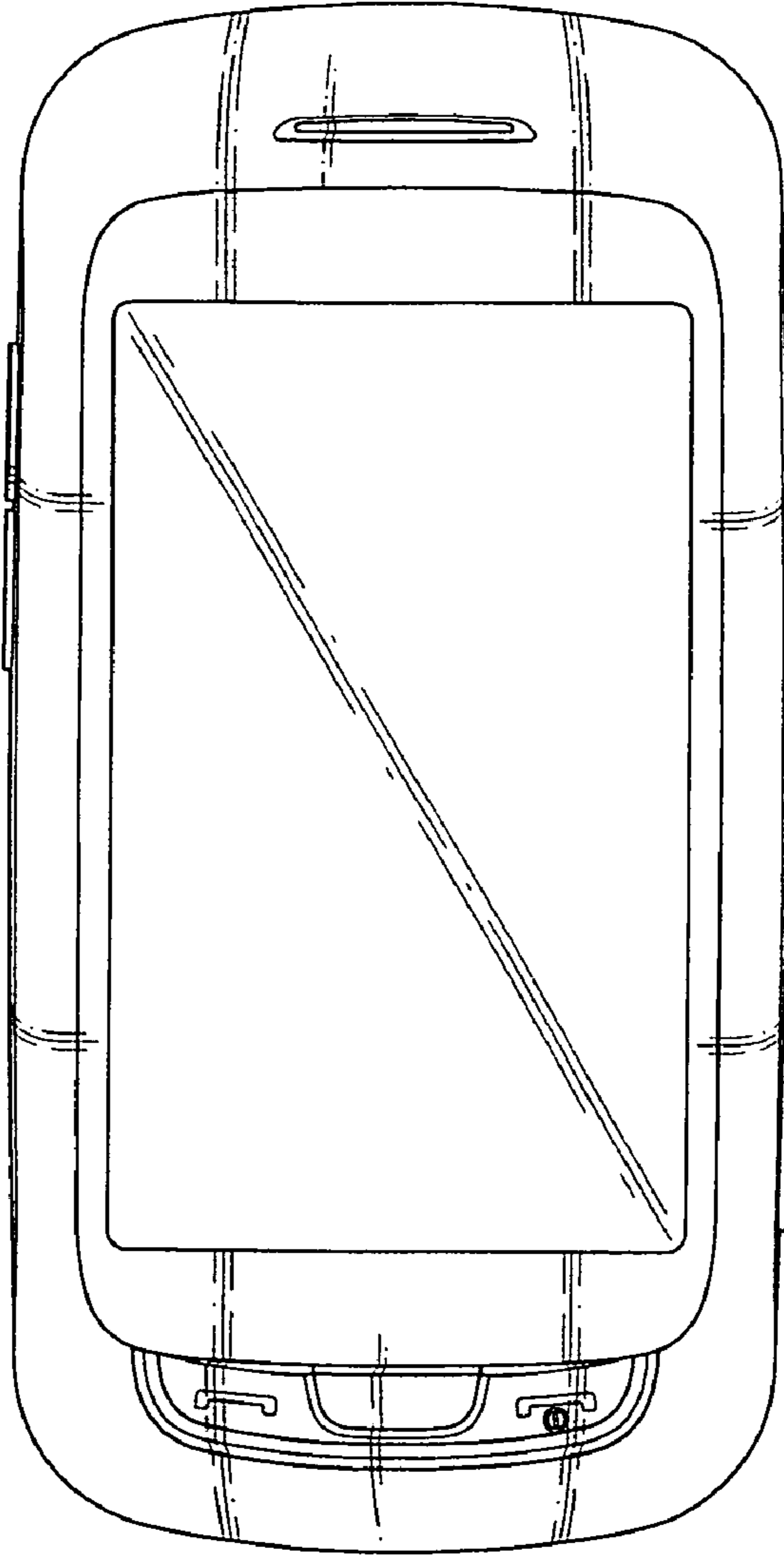


FIG. 3

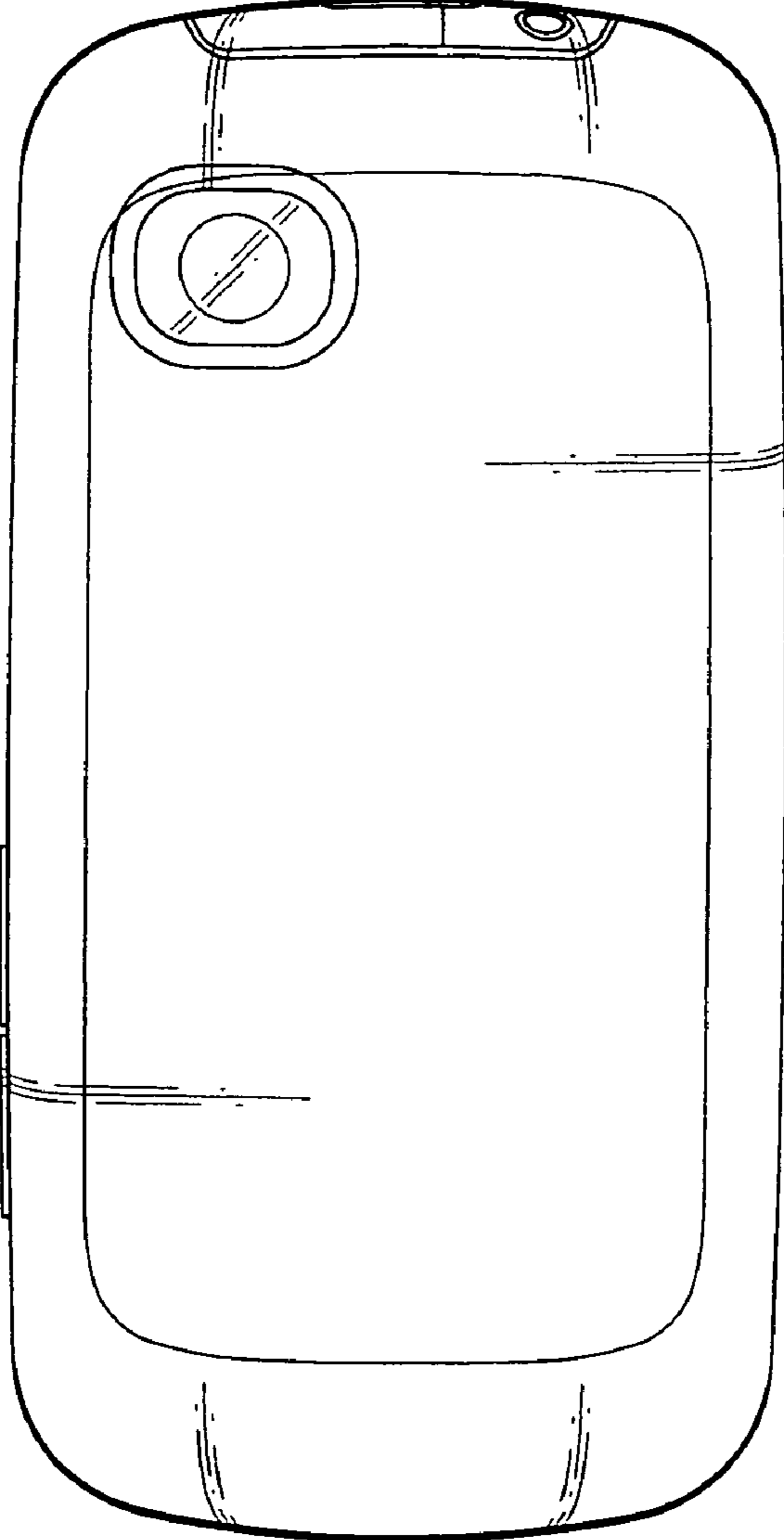


FIG. 4

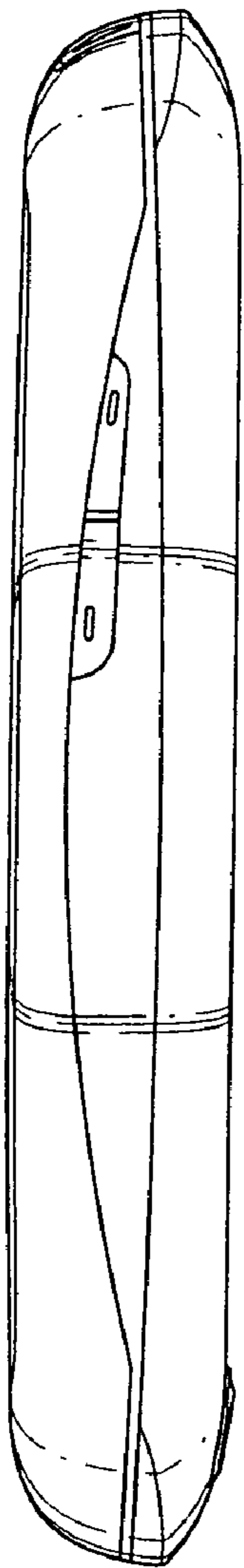


FIG. 5

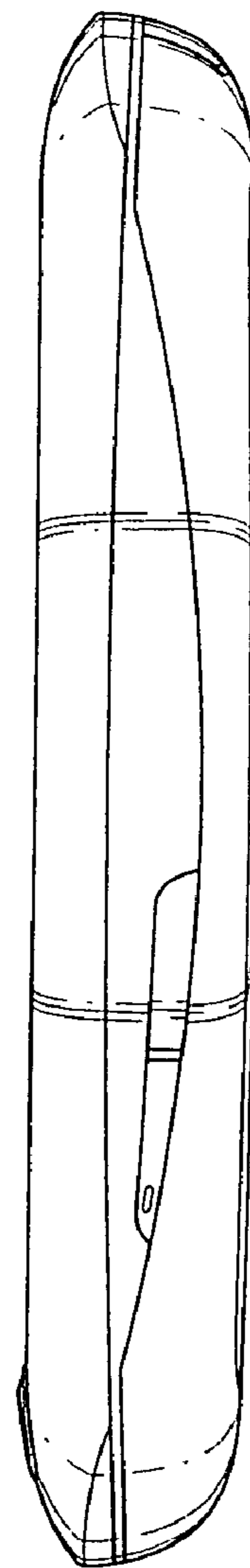


FIG. 6

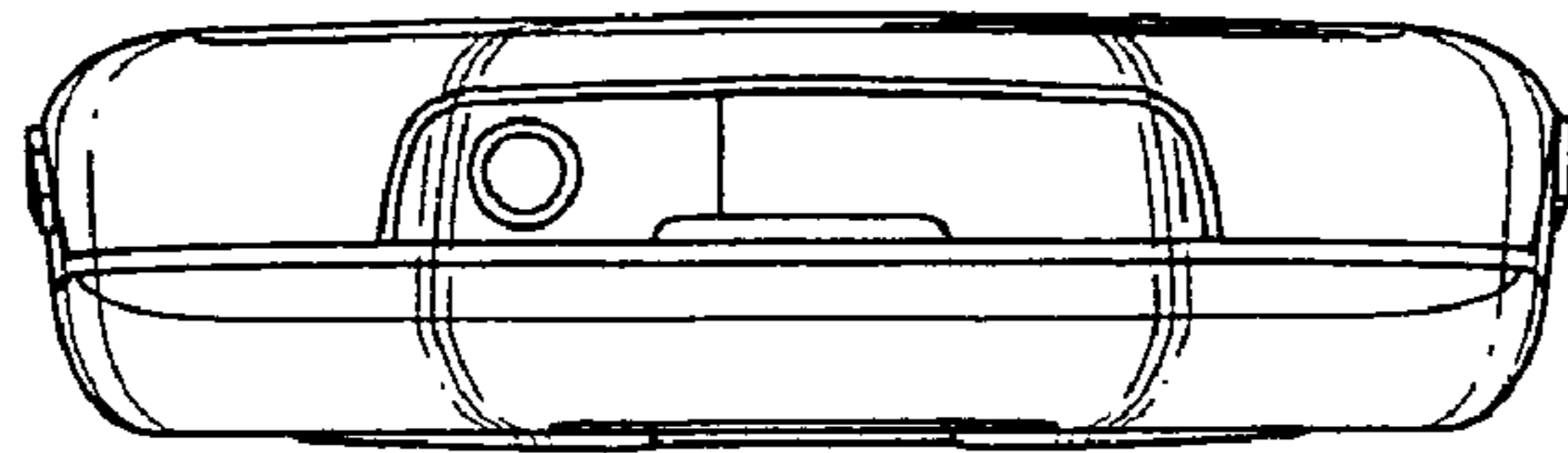


FIG. 7

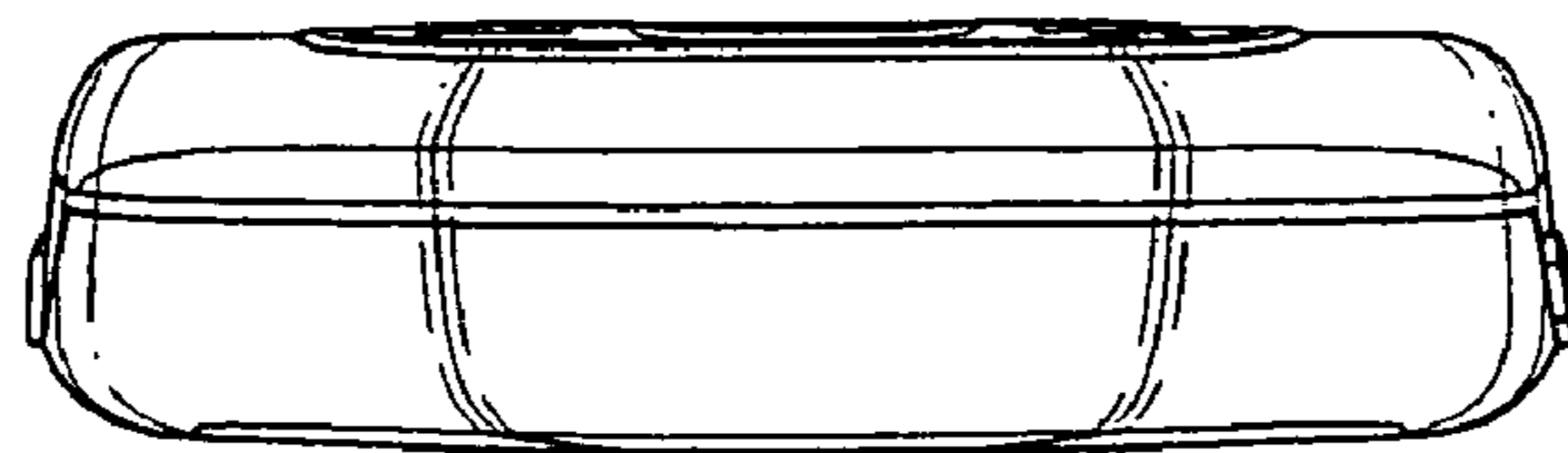


FIG. 8

