

US00D629774S

(12) **United States Design Patent**  
**Kim et al.**

(10) **Patent No.:** **US D629,774 S**

(45) **Date of Patent:** **\*\* \*Dec. 28, 2010**

(54) **MOBILE PHONE**

(75) Inventors: **Jin-Soo Kim**, Yongin-si (KR);  
**Min-Hyouk Lee**, Seoul (KR);  
**Seog-Guen Kim**, Seoul (KR)

(73) Assignee: **Samsung Electronics Co., Ltd.** (KR)

(\* ) Notice: This patent is subject to a terminal disclaimer.

(\*\*) Term: **14 Years**

(21) Appl. No.: **29/345,485**

(22) Filed: **Oct. 16, 2009**

(30) **Foreign Application Priority Data**

Sep. 14, 2009 (KR) ..... 30-2009-0040758

(51) **LOC (9) Cl.** ..... **14-03**

(52) **U.S. Cl.** ..... **D14/138 AD**

(58) **Field of Classification Search** ..... D14/138 R,  
D14/138 AD, 138 AC, 138 C, 138 G, 191,  
D14/203.1–203.8, 496, 138 AA, 138 AB,  
D14/247–248, 137, 147, 218, 341–347; D10/65,  
D10/78, 104; D13/168; D18/7; 455/566,  
455/575.1, 575.3

See application file for complete search history.

(56) **References Cited**

**U.S. PATENT DOCUMENTS**

- D457,883 S \* 5/2002 Sugioka et al. .... D14/342
- D481,692 S \* 11/2003 Husgafvel ..... D14/138 AD
- D519,998 S \* 5/2006 Park ..... D14/346
- 7,069,003 B2 \* 6/2006 Lehtikoinen et al. .... 455/414.2
- D527,369 S \* 8/2006 Chung et al. .... D14/138 AD
- D529,888 S \* 10/2006 Lee et al. .... D14/138 AD
- D555,135 S \* 11/2007 Chung et al. .... D14/138 AD
- D555,139 S \* 11/2007 Kim et al. .... D14/138 AD

- D560,188 S \* 1/2008 Lee et al. .... D14/138 AD
- D560,190 S \* 1/2008 Lee et al. .... D14/138 AD
- D560,191 S \* 1/2008 Choi et al. .... D14/138 AD
- D560,193 S \* 1/2008 Sung et al. .... D14/138 AD
- D561,512 S \* 2/2008 Park et al. .... D14/138 AD
- 7,331,516 B2 \* 2/2008 Hwang et al. .... 235/380

(Continued)

**OTHER PUBLICATIONS**

Gigabyte g-Smart, announced 2005, [online], [retrieved on Feb. 20, 2007]. Retrieved from Internet ,<URL: <http://www.gsmarena.com>>.\*

(Continued)

*Primary Examiner*—Bridget L Eland  
(74) *Attorney, Agent, or Firm*—NSIP Law

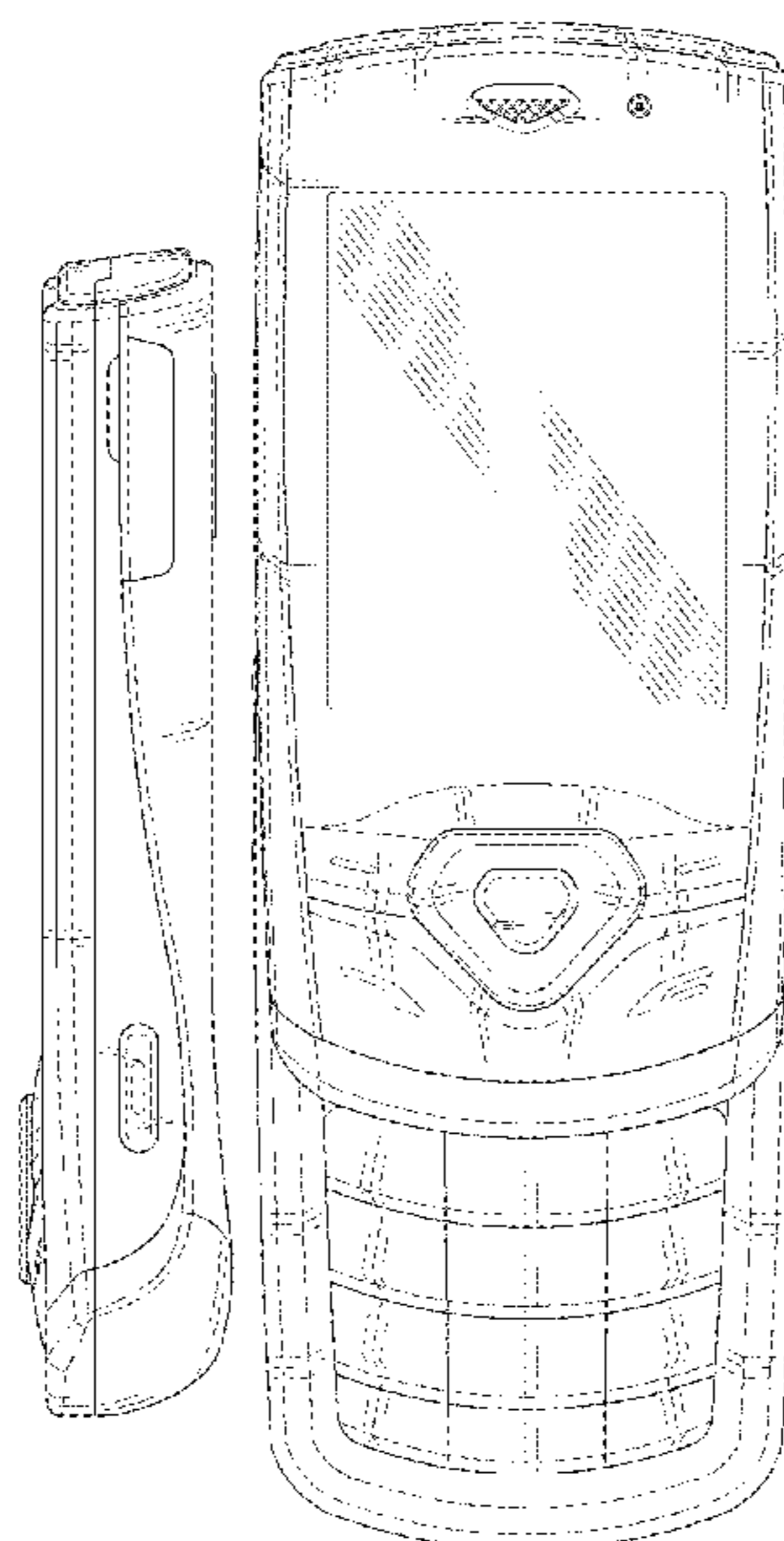
(57) **CLAIM**

The ornamental design for a mobile phone, as shown and described.

**DESCRIPTION**

FIG. 1 is a perspective view of a mobile phone;  
FIG. 2 is a front view of the mobile phone of FIG. 1;  
FIG. 3 is a rear view of the mobile phone of FIG. 1;  
FIG. 4 is a left-side view of the mobile phone of FIG. 1;  
FIG. 5 is a right-side view of the mobile phone of FIG. 1;  
FIG. 6 is a top plan view of the mobile phone of FIG. 1;  
FIG. 7 is a bottom plan view of the mobile phone of FIG. 1;  
and,  
FIG. 8 is a front open view of the mobile phone of FIG. 1.

**1 Claim, 6 Drawing Sheets**



# US D629,774 S

Page 2

## U.S. PATENT DOCUMENTS

D563,353 S \* 3/2008 Lee et al. .... D14/138 AD  
D563,370 S \* 3/2008 Choi et al. .... D14/138 AD  
D576,596 S \* 9/2008 Moon et al. .... D14/138 AD  
D579,903 S \* 11/2008 Kim et al. .... D14/138 AD  
7,507,044 B2 \* 3/2009 Kempainen ..... 400/489  
D590,366 S \* 4/2009 Kim ..... D14/138 AD  
D592,631 S \* 5/2009 Kim et al. .... D14/138 AD  
2005/0113154 A1 \* 5/2005 Park et al. .... 455/575.4  
2005/0221873 A1 \* 10/2005 Kameyama et al. .... 455/575.4  
2007/0021160 A1 \* 1/2007 Li ..... 455/575.4  
2008/0207188 A1 \* 8/2008 Ahn et al. .... 455/418  
2008/0207284 A1 \* 8/2008 Jung et al. .... 455/575.4

## OTHER PUBLICATIONS

Samsung E390, announced Oct. 2006, [online], [retrieved on Feb. 8, 2007]. Retrieved from Internet ,<URL: <http://www.gsmarena.com>>.\*  
Samsung S5600v Blade, announced Jun. 2009, [online], [retrieved on Jul. 13, 2009]. Retrieved from Internet ,<URL: <http://www.gsmarena.com>>.\*  
Samsung S3550 Shark 3, announced Jan. 2010, [online], [retrieved on Jan. 19, 2010]. Retrieved from Internet ,<URL: <http://www.gsmarena.com>>.\*  
Samsung S5550 Shark 2, announced Jan. 2010, [online], [retrieved on Jan. 19, 2010]. Retrieved from Internet ,<URL: <http://www.gsmarena.com>>.\*

\* cited by examiner

FIG. 1

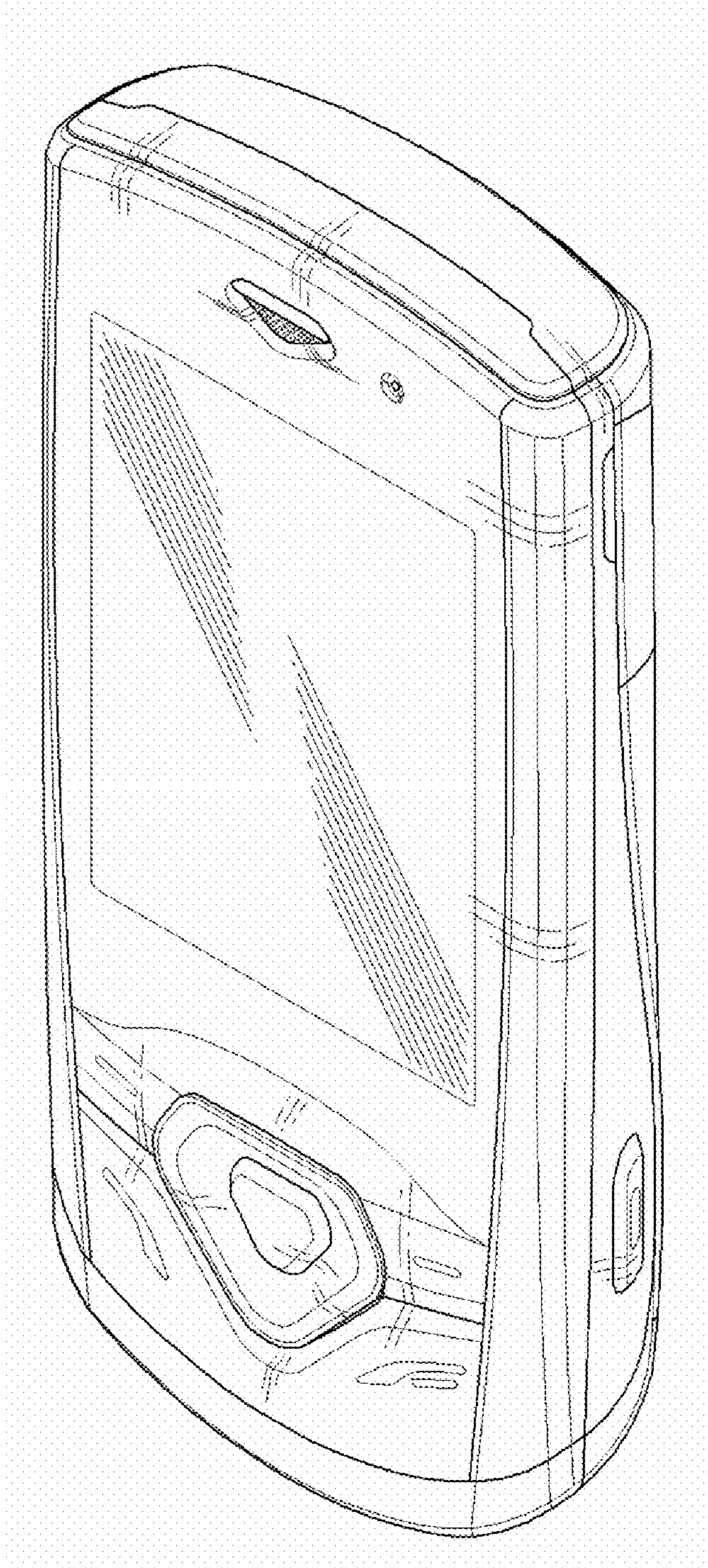


FIG. 2

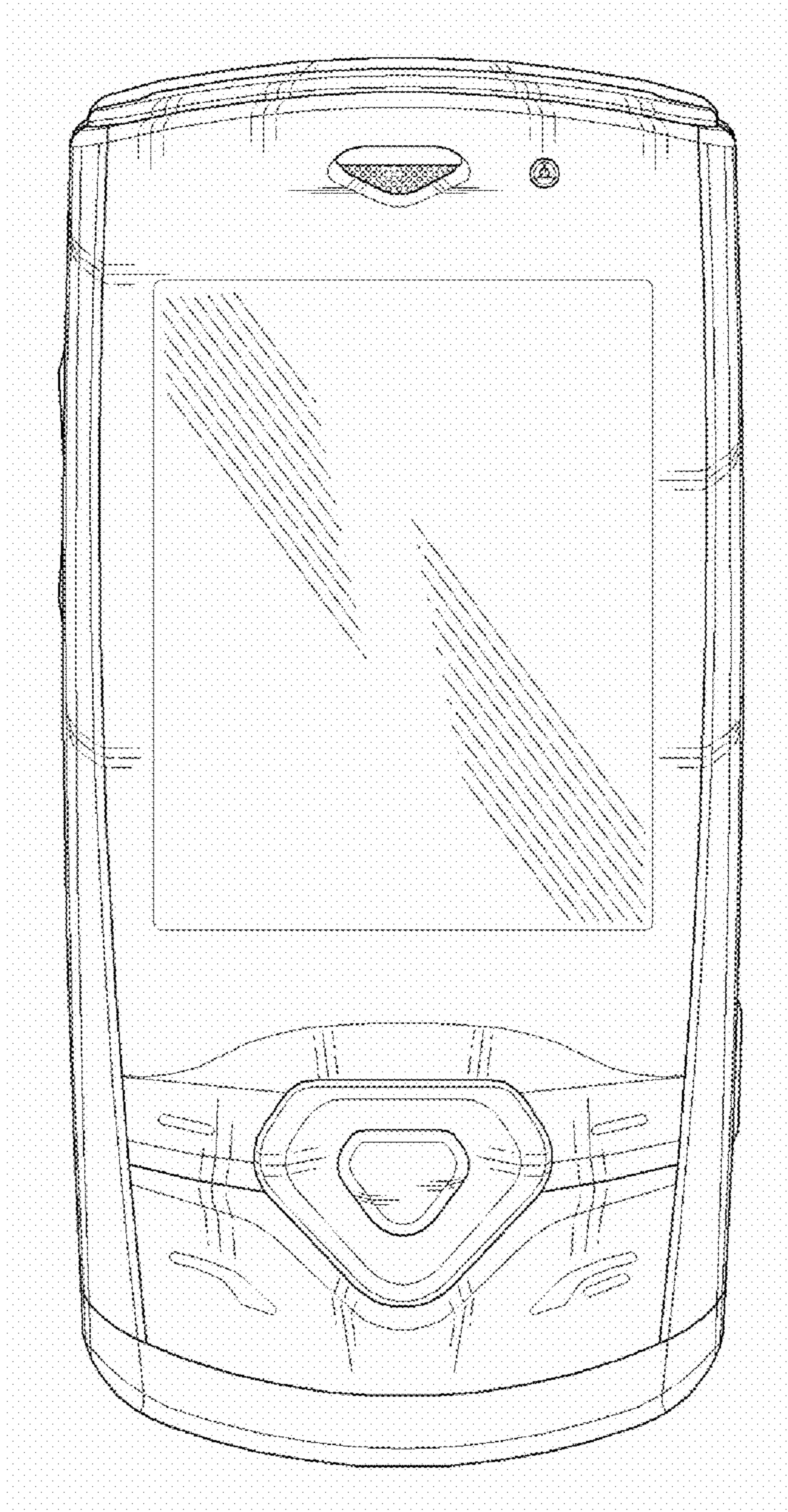
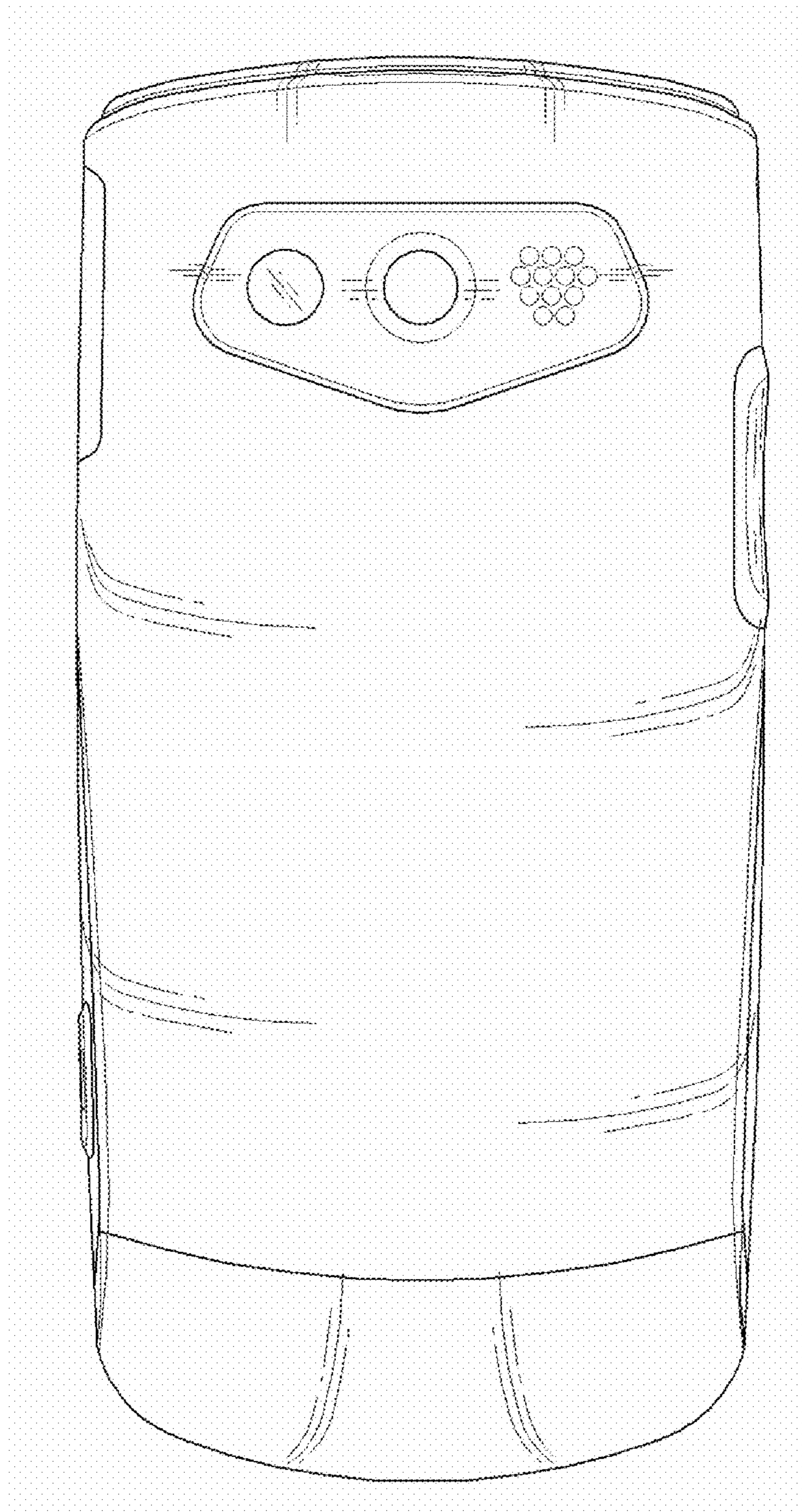
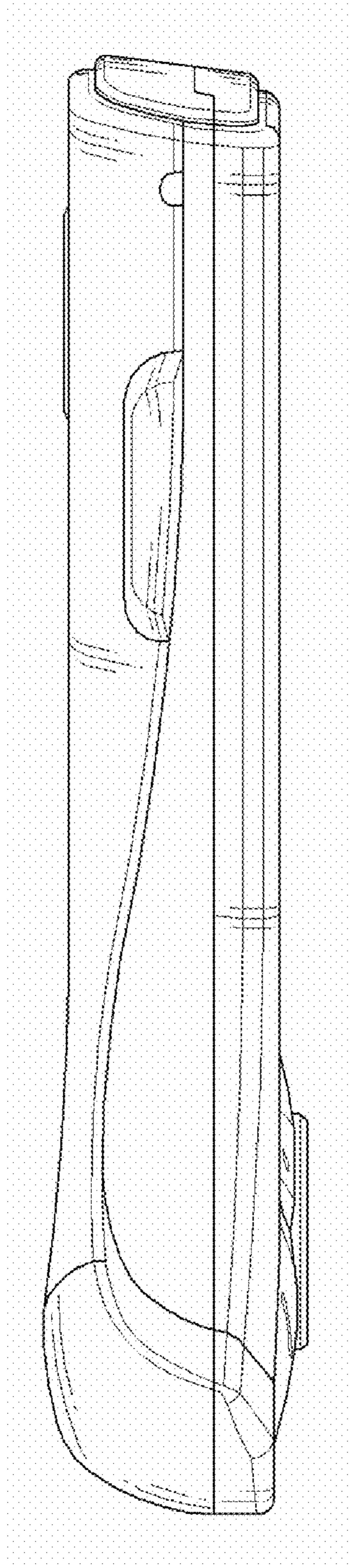


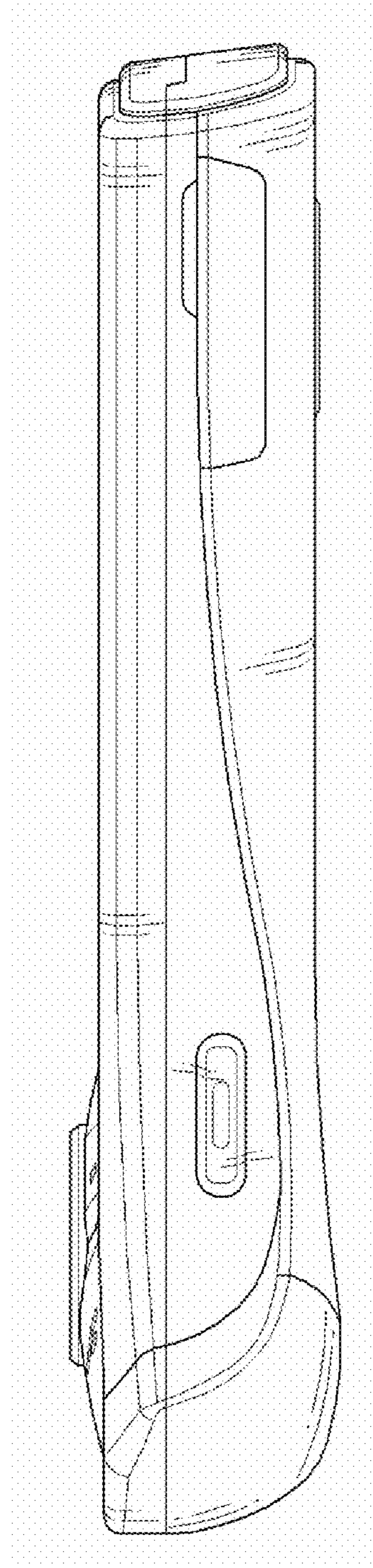
FIG. 3



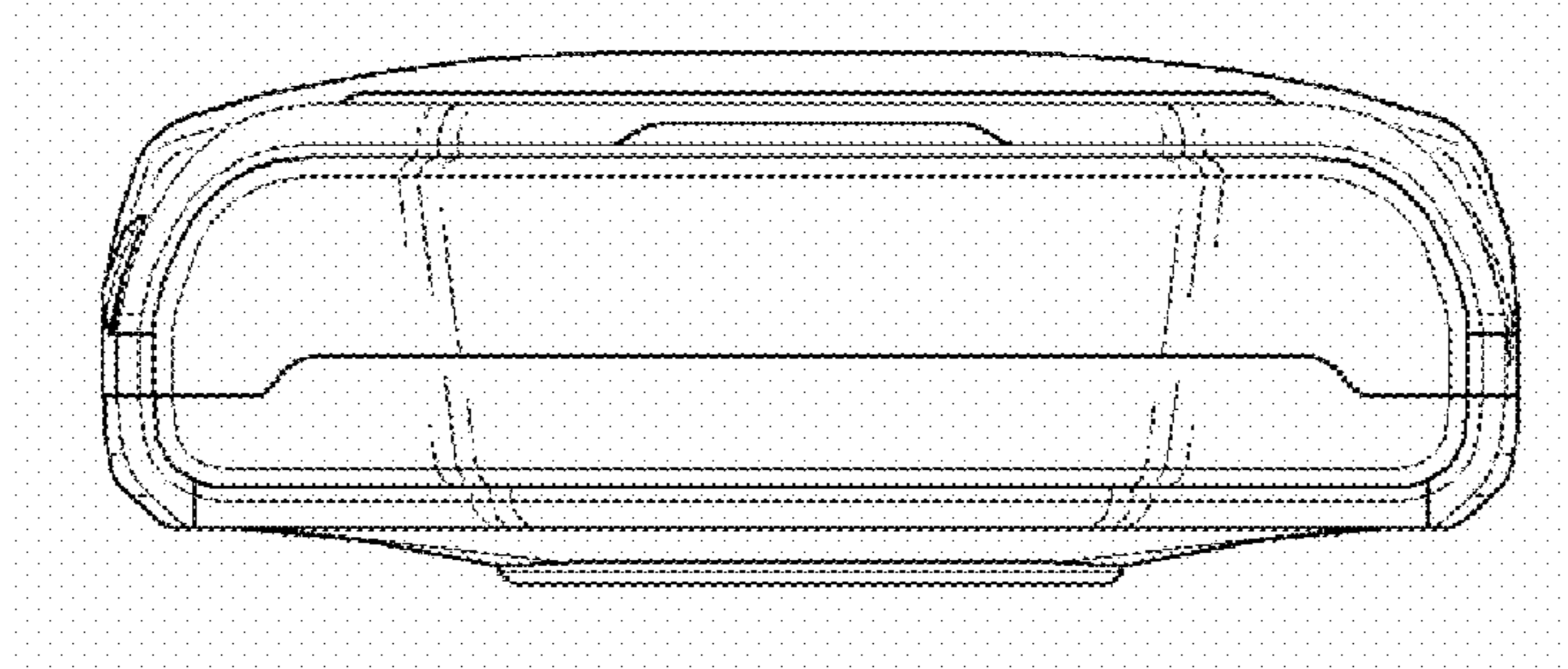
**FIG. 4**



**FIG. 5**



**FIG. 6**



**FIG. 7**

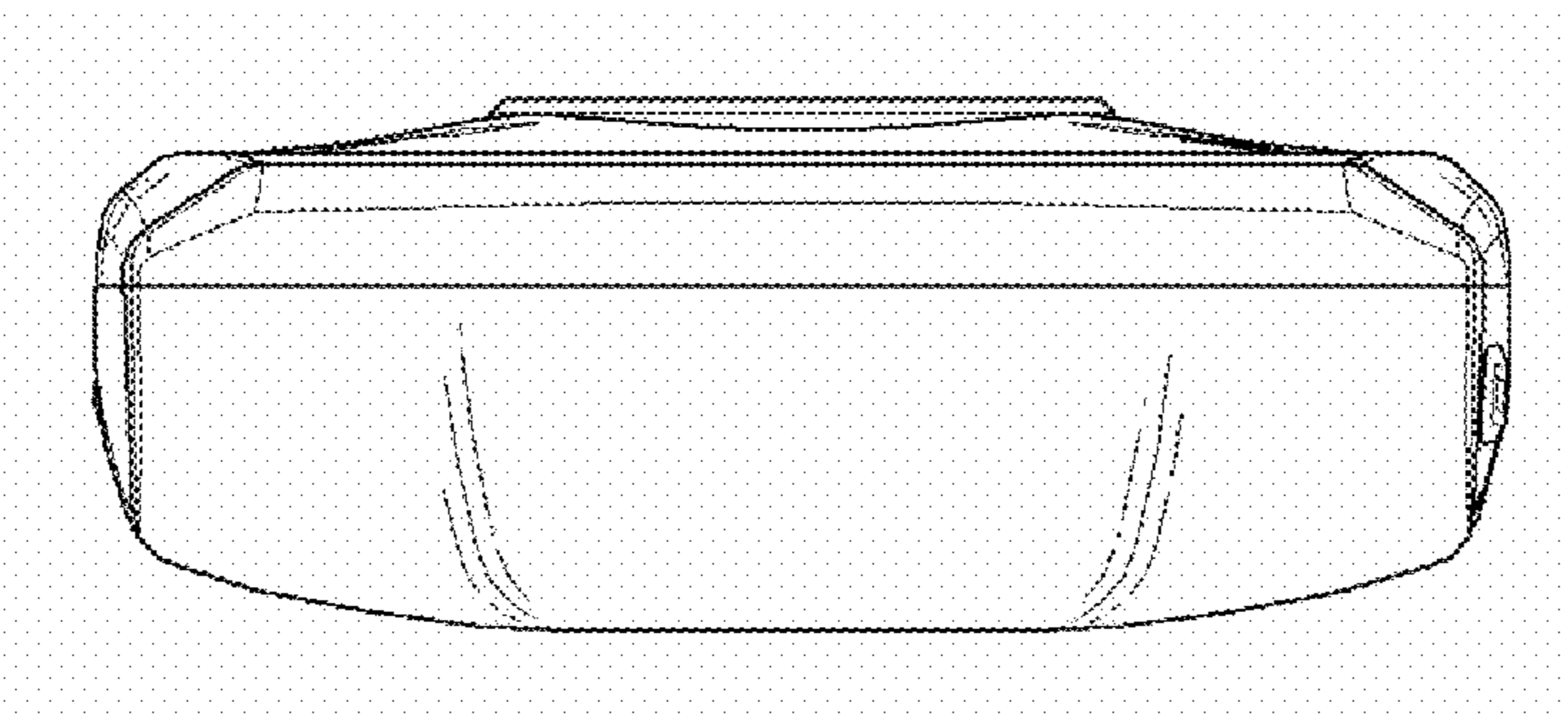


FIG. 8

