



US00D629773S

(12) **United States Design Patent**
Lee et al.

(10) **Patent No.:** **US D629,773 S**
(45) **Date of Patent:** **** Dec. 28, 2010**

(54) **MOBILE PHONE**

(75) Inventors: **Min-Hyouk Lee**, Seoul (KR);
Jae-Woong Chung, Seongnam-Si (KR);
Nam-Su Kim, Seoul (KR); **Seog-Guen Kim**, Seoul (KR); **Chang-Hwan Hwang**, Goyang-si (KR)

(73) Assignee: **Samsung Electronics Co., Ltd.** (KR)

(**) Term: **14 Years**

(21) Appl. No.: **29/345,436**

(22) Filed: **Oct. 15, 2009**

(30) **Foreign Application Priority Data**

Sep. 3, 2009 (KR) 30-2009-0039092

(51) **LOC (9) Cl.** **14-03**

(52) **U.S. Cl.** **D14/138 G**

(58) **Field of Classification Search** D14/138 R,
D14/138 AD, 138 AC, 138 C, 138 G, 191,
D14/203.1–203.8, 496, 138 AA, 138 AB,
D14/247–248, 137, 147, 218, 341–347; D10/65,
D10/78, 104; D13/168; D18/7; 455/566,
455/575.1, 575.3

See application file for complete search history.

(56) **References Cited**

U.S. PATENT DOCUMENTS

6,933,927 B2 * 8/2005 Lu 345/169
D525,609 S * 7/2006 Kim et al. D14/138 AB
D534,516 S * 1/2007 Lheem D14/138 AD
D544,460 S * 6/2007 Yau D14/138 AD
D549,204 S * 8/2007 Cho D14/138 AD
D551,647 S * 9/2007 Kim et al. D14/138 AD
D559,220 S * 1/2008 Lee et al. D14/138 AD
D560,192 S * 1/2008 Lee et al. D14/138 AD
D563,938 S * 3/2008 Kim et al. D14/138 AD

D567,819 S * 4/2008 Devericks et al. D14/496
D569,837 S * 5/2008 Baik et al. D14/138 G
D577,704 S * 9/2008 Park et al. D14/138 AD
D578,099 S * 10/2008 Park et al. D14/138 AD
D579,898 S * 11/2008 Lee et al. D14/138 G
D583,346 S * 12/2008 Jung et al. D14/138 AD
D584,272 S * 1/2009 Chung et al. D14/138 G
D589,021 S * 3/2009 Millora D14/138 AD

(Continued)

OTHER PUBLICATIONS

Samsung I8000 Omnia II, announced Jun. 2009, [online], [retrieved on Jun. 23, 2009]. Retrieved from Internet ,<URL: <http://www.gsmarena.com>>.*

(Continued)

Primary Examiner—Bridget L Eland

(74) *Attorney, Agent, or Firm*—NSIP Law

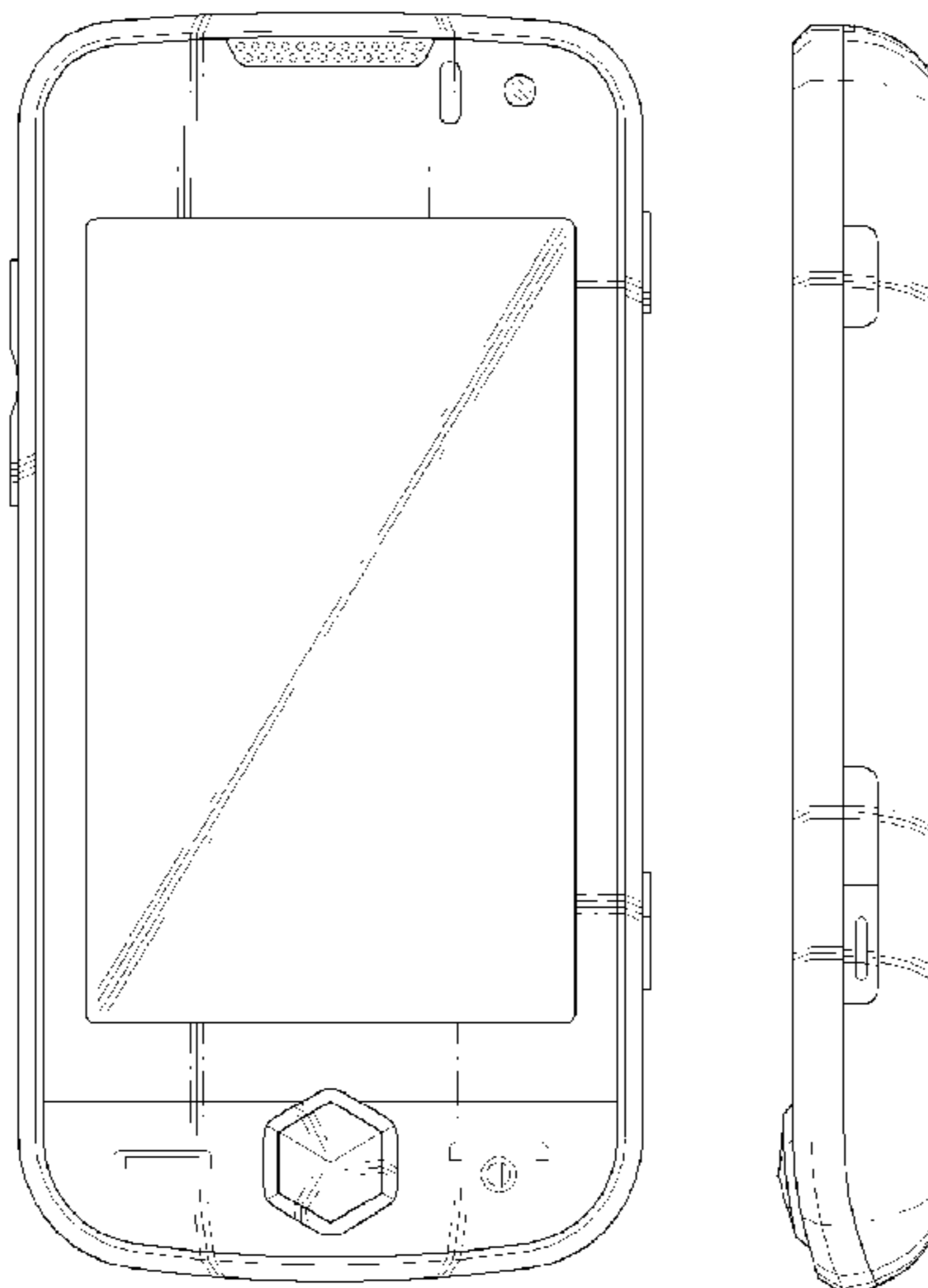
(57) **CLAIM**

The ornamental design for a mobile phone, as shown and described.

DESCRIPTION

FIG. 1 is a perspective view of a mobile phone;
FIG. 2 is a front view of the mobile phone of FIG. 1;
FIG. 3 is a rear view of the mobile phone of FIG. 1;
FIG. 4 is a left-side view of the mobile phone of FIG. 1;
FIG. 5 is a right-side view of the mobile phone of FIG. 1;
FIG. 6 is a top plan view of the mobile phone of FIG. 1; and,
FIG. 7 is a bottom plan view of the mobile phone of FIG. 1.

1 Claim, 5 Drawing Sheets



U.S. PATENT DOCUMENTS

D589,487 S * 3/2009 Park et al. D14/138 AD
D590,796 S * 4/2009 Kim et al. D14/138 AD
D605,156 S * 12/2009 Kim et al. D14/138 AB
D605,621 S * 12/2009 Kim et al. D14/138 AD
D606,506 S * 12/2009 Choi et al. D14/138 AD
D606,958 S * 12/2009 Knoppert et al. D14/138 AD
D611,023 S * 3/2010 Wu et al. D14/138 G
2003/0125094 A1 * 7/2003 Hyun et al. 455/566
2009/0117955 A1 * 5/2009 Lo 455/575.3

OTHER PUBLICATIONS

Samsung S8000 Jet, announced Jun. 2009, [online], [retrieved on Jun. 23, 2009]. Retrieved from Internet ,<URL: <http://www.gsmarena.com>>.*

Samsung S5600, announced Mar. 2009, [online], [retrieved on Mar. 20, 2009]. Retrieved from Internet ,<URL: <http://www.gsmarena.com>>.*

Samsung S5230, announced Mar. 2009, [online], [retrieved on Mar. 20, 2009]. Retrieved from Internet ,<URL: <http://www.gsmarena.com>>.*

Samsung M8910 Pixon 12, announced Jun. 2009, [online], [retrieved on Jun. 12, 2009]. Retrieved from Internet ,<URL: <http://www.gsmarena.com>>.*

Samsung S3650 Corby, announced Aug. 2009, [online], [retrieved on Aug. 4, 2009]. Retrieved from Internet ,<URL: <http://www.gsmarena.com>>.*

* cited by examiner

FIG. 1

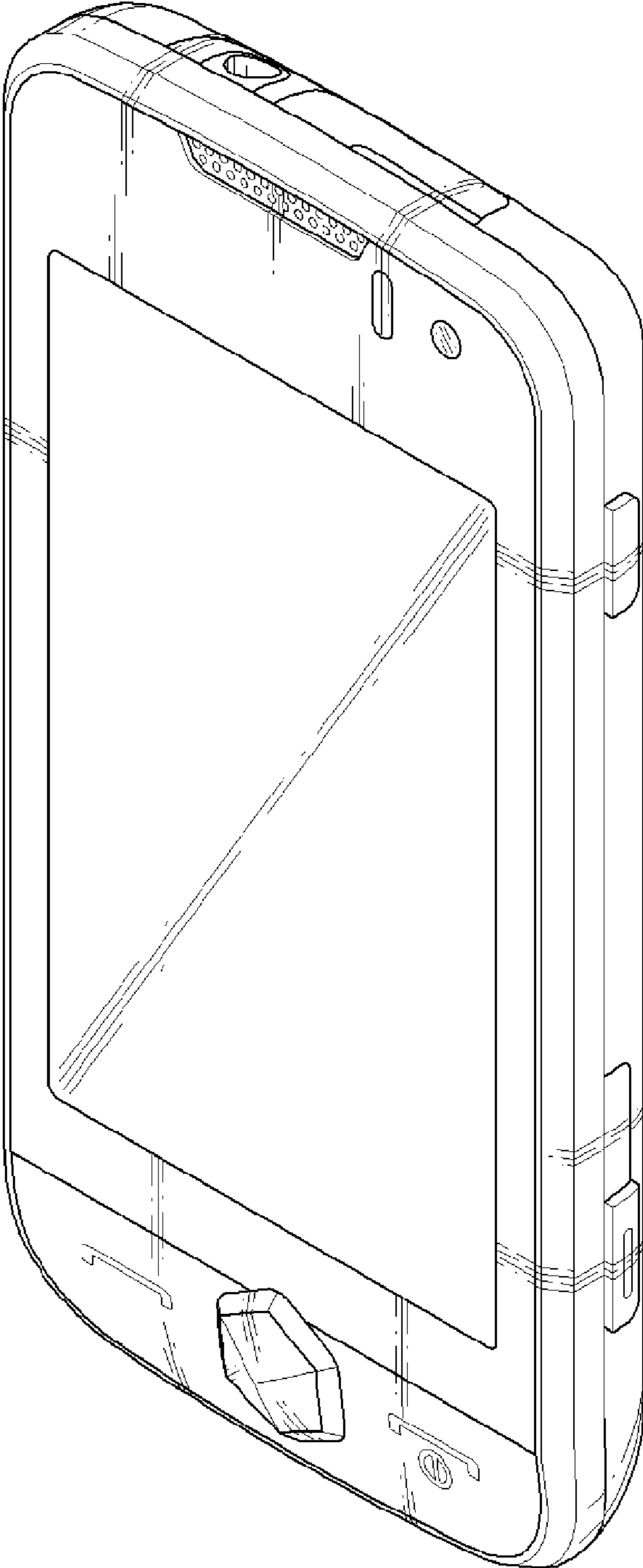


FIG. 2

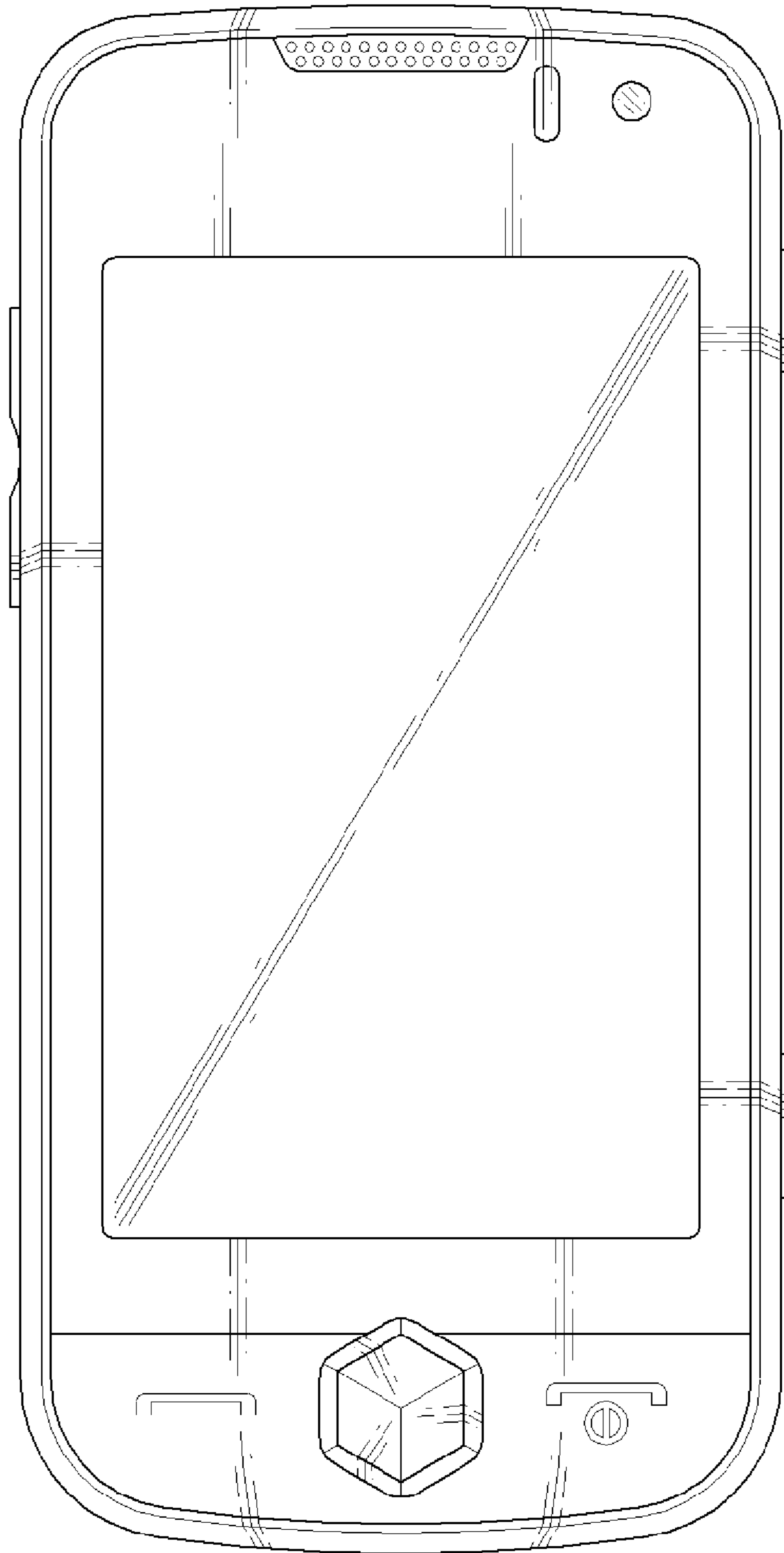


FIG. 3

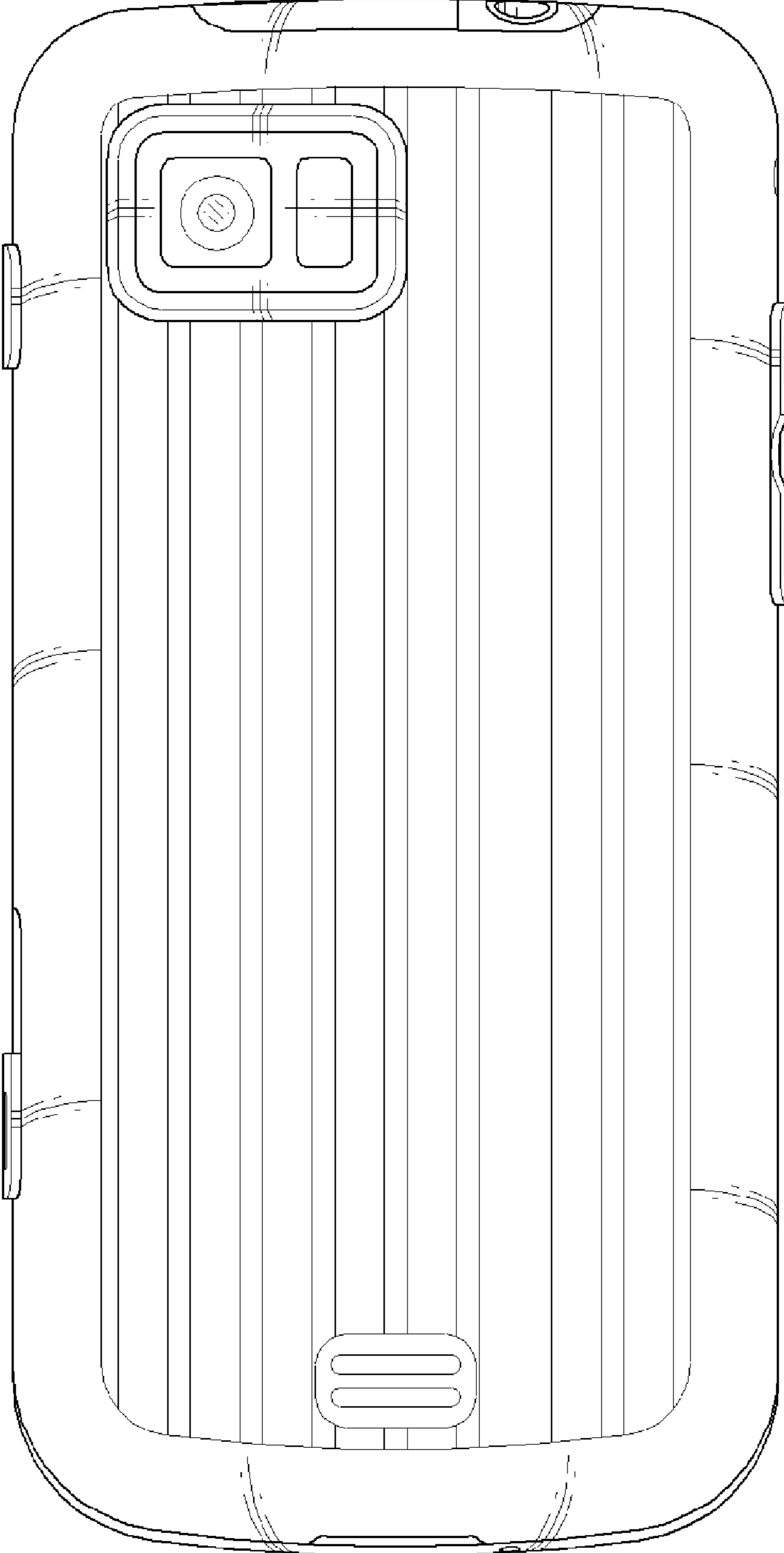


FIG. 4

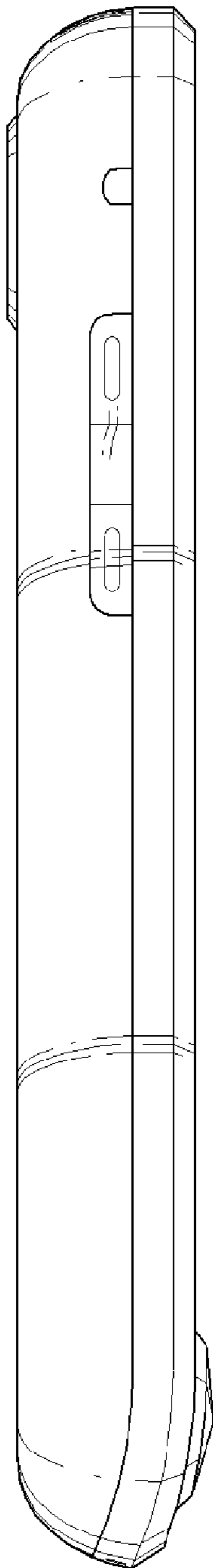


FIG. 5

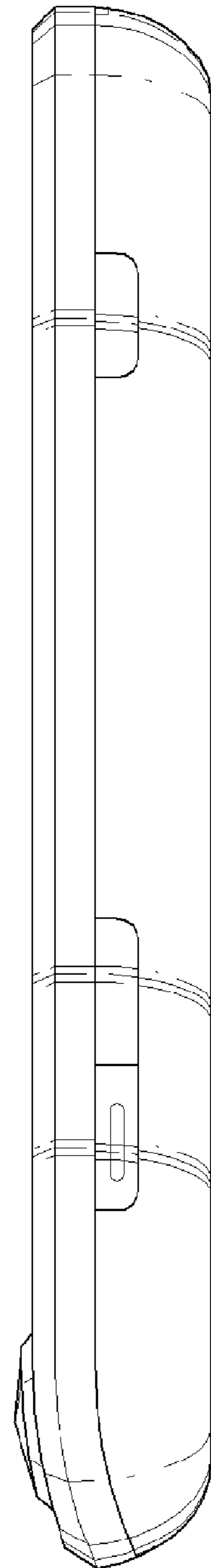


FIG. 6

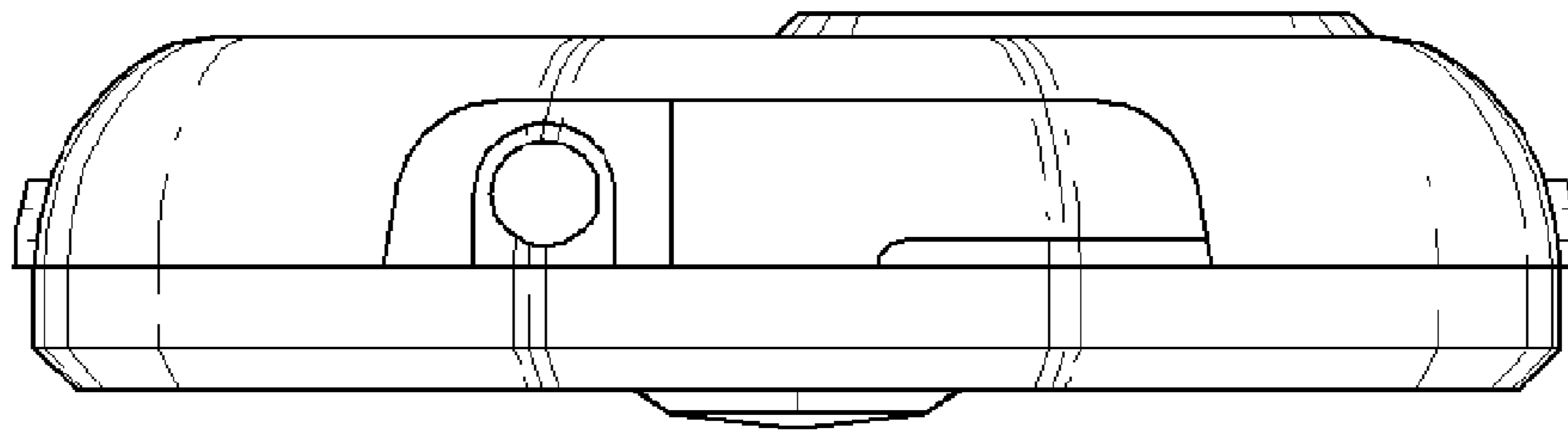


FIG. 7

