



US00D629771S

(12) **United States Design Patent**  
**Haspil et al.**

(10) **Patent No.:** **US D629,771 S**

(45) **Date of Patent:** **\*\* \*Dec. 28, 2010**

(54) **COMMUNICATION TABLET**

(75) Inventors: **John Haspil**, Boerne, TX (US); **Susan S. Steele**, Alpharetta, GA (US); **David Mornhineway**, San Antonio, TX (US); **Jerry O’Leary**, Chicago, IL (US); **Larry B. Pearson**, San Antonio, TX (US); **Tyler Wallis**, San Antonio, TX (US)

(73) Assignee: **AT&T Intellectual Property I, L.P.**, Reno, NV (US)

(\*) Notice: This patent is subject to a terminal disclaimer.

(\*\*) Term: **14 Years**

(21) Appl. No.: **29/329,125**

(22) Filed: **Dec. 9, 2008**

**Related U.S. Application Data**

(63) Continuation of application No. 29/284,419, filed on Sep. 7, 2007, now Pat. No. Des. 582,875.

(51) **LOC (9) Cl.** ..... **14-03**

(52) **U.S. Cl.** ..... **D14/138 G; D14/341**

(58) **Field of Classification Search** ..... D14/138 R, D14/138 AD, 138 AC, 138 C, 138 G, 191, D14/203.1–203.8, 496, 138 AA, 138 AB, D14/247–248, 137, 147, 218, 341–347; D10/65, D10/78, 104; D13/168; D18/7; 455/566, 455/575.1, 575.3

See application file for complete search history.

(56) **References Cited**

**U.S. PATENT DOCUMENTS**

D341,823 S 11/1993 Sakai

(Continued)

**FOREIGN PATENT DOCUMENTS**

DE DM068932 3/2007

**OTHER PUBLICATIONS**

Nokia 7710, “Full Phone Specifications”, 3 page article, [http://www.gsmarena.com/nokia\\_7710-921.php](http://www.gsmarena.com/nokia_7710-921.php); retrieved May 23, 2008.

(Continued)

*Primary Examiner*—Bridget L Eland

(74) *Attorney, Agent, or Firm*—Andrew Gust; Guntin Meles & Gust, PLC

(57) **CLAIM**

What is claimed is the ornamental design for a communication tablet, as shown and described.

**DESCRIPTION**

FIG. 1 is a perspective front view of a communication tablet showing a first embodiment of a new design;

FIG. 2 is a front view of the ornamental design of FIG. 1;

FIG. 3 is a rear view of the ornamental design of FIG. 1;

FIG. 4 is a left side view of the ornamental design of FIG. 1;

FIG. 5 is a right side view of the ornamental design of FIG. 1;

FIG. 6 is a top plan view of the ornamental design of FIG. 1;

FIG. 7 is a bottom plan view of the ornamental design of FIG. 1;

FIG. 8 is a perspective view of the ornamental design of FIG. 1 in a first position of a stand;

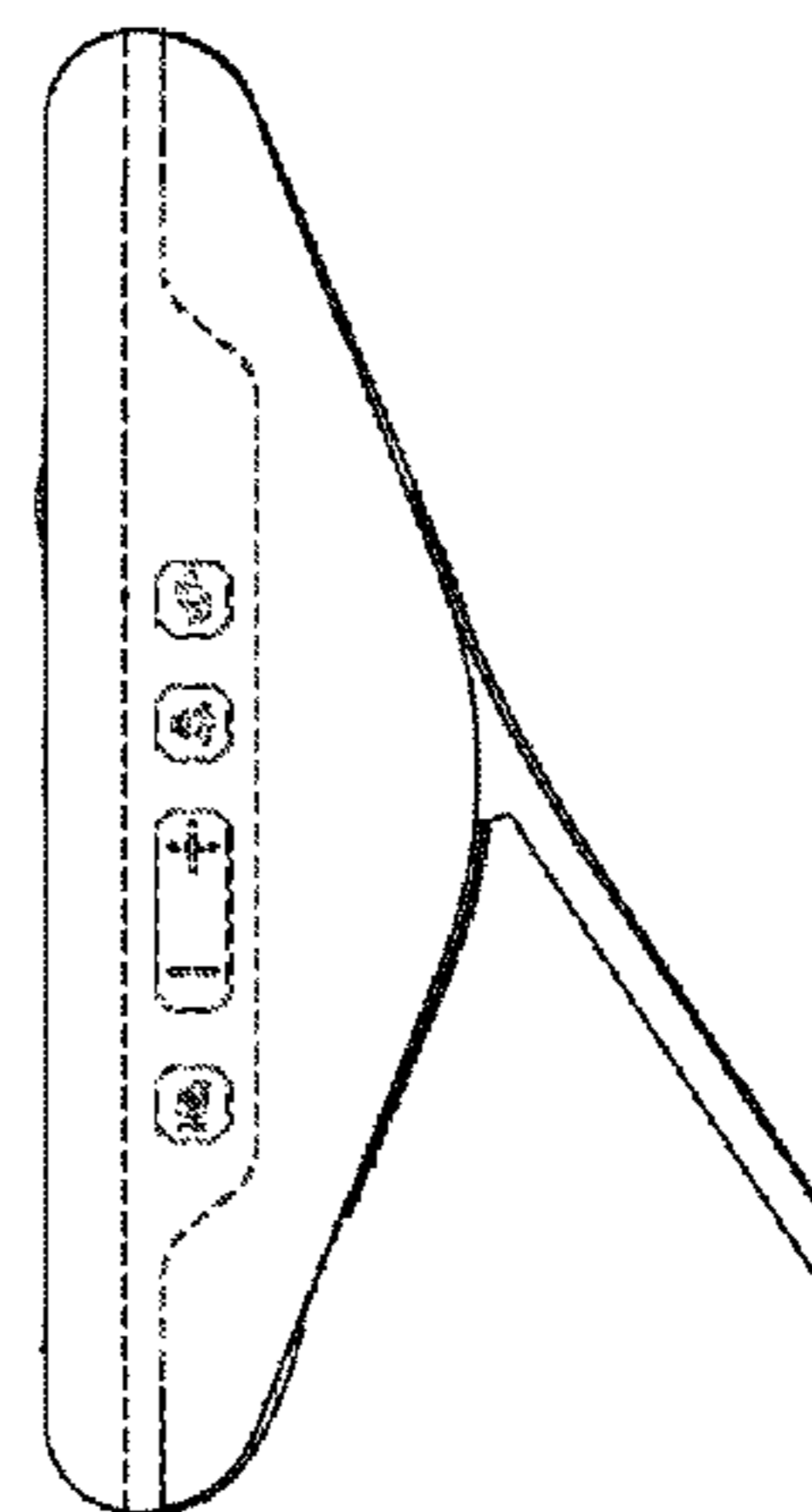
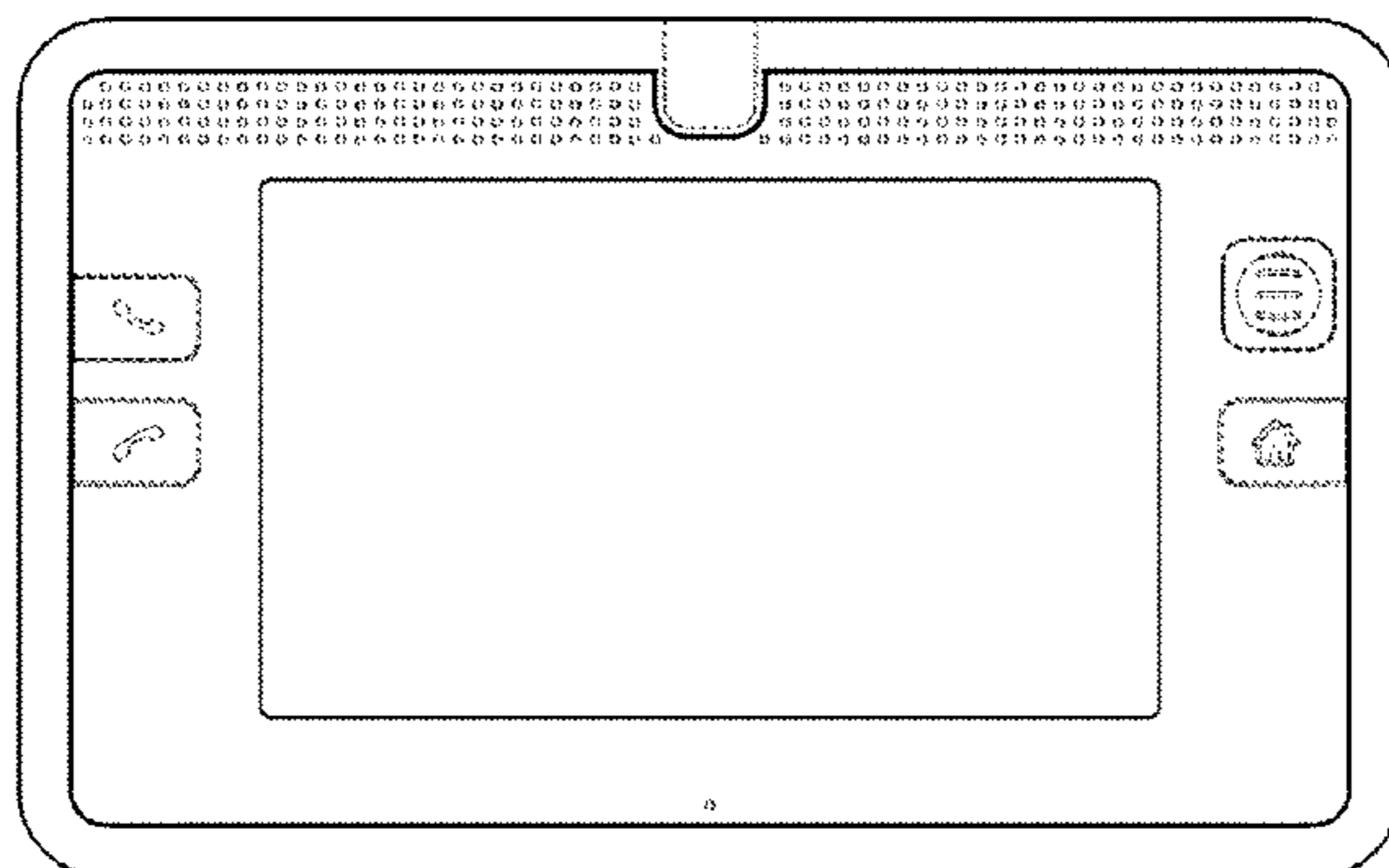
FIG. 9 is a perspective view of the ornamental design of FIG. 1 in a second position of the stand; and

FIG. 10 is a perspective view of a second embodiment of the communication tablet of FIG. 1 with the FIGS. 1-7 views being the same with the exception of the unclaimed stand; and,

FIG. 11 is an alternative perspective rear view of FIG. 10.

The broken lines immediately adjacent the claimed areas, which define regions or individual features that are fully encompassed by broken lines, represent the bounds of the claimed design, but the broken lines form no part of the claimed design. The region around the perimeter edge in FIG. 1 and FIGS. 3-11, which is encompassed by a spaced pair of broken lines, is a part of the claimed design. The pair of lines around the perimeter edge, and all other non-boundary broken lines, are directed to environment and are for illustrative purposes only. The broken lines throughout the views form no part of the claimed design.

**1 Claim, 6 Drawing Sheets**



# US D629,771 S

Page 2

## U.S. PATENT DOCUMENTS

D355,170 S *	2/1995	Mizusugi et al. ....	D14/336	D576,177 S *	9/2008	Asanuma et al. ....	D14/496
6,282,082 B1	8/2001	Armitage et al.		D576,618 S *	9/2008	Wong .....	D14/341
D458,252 S	6/2002	Palm et al.		D579,361 S *	10/2008	Wen .....	D10/78
D476,005 S	6/2003	Peng et al.		D580,930 S *	11/2008	Chien et al. ....	D14/346
D481,719 S	11/2003	Okawa et al.		D582,875 S *	12/2008	Haspil et al. ....	D14/138 G
D485,265 S *	1/2004	Sato et al. ....	D14/341	D585,399 S *	1/2009	Hwang .....	D14/130
D490,420 S	5/2004	Solomon et al.		D587,261 S *	2/2009	Skaf et al. ....	D14/341
6,757,156 B2 *	6/2004	Adams et al. ....	361/679.03	D592,625 S *	5/2009	Hwang .....	D14/130
D494,174 S *	8/2004	Hsu Li .....	D14/374	D596,597 S *	7/2009	Yu et al. ....	D14/130
D499,423 S *	12/2004	Bahroocha et al. ....	D14/203.7	D597,092 S *	7/2009	Wang et al. ....	D14/346
D501,007 S	1/2005	Heng		D597,541 S *	8/2009	Kazma et al. ....	D14/341
D502,179 S	2/2005	Cha et al.		D600,242 S *	9/2009	Yeh et al. ....	D14/341
D504,890 S *	5/2005	Sung et al. ....	D14/346	D601,353 S *	10/2009	Sadler et al. ....	D6/308
D505,676 S	5/2005	Porter et al.		2002/0040541 A1 *	4/2002	Wang .....	40/714
D511,528 S *	11/2005	Yang .....	D14/203.7	2003/0236102 A1	12/2003	Kawai et al.	
D521,524 S	5/2006	Chang		2004/0174137 A1	9/2004	Kim et al.	
D528,541 S	9/2006	Maskatia		2005/0227737 A1	10/2005	Moon et al.	
D532,791 S	11/2006	Kim		2005/0272483 A1	12/2005	Ko et al.	
D540,705 S *	4/2007	Shubin .....	D10/65	2007/0032273 A1	2/2007	Hsiao et al.	
D548,733 S	8/2007	Johansson		2008/0069323 A1	3/2008	Walter et al.	
D553,153 S	10/2007	Kim					
D556,211 S	11/2007	Howard					
D558,460 S	1/2008	Yu et al.					
D563,804 S	3/2008	Jeon					
D563,806 S	3/2008	Jeon					
D563,807 S	3/2008	Jeon					
D565,978 S	4/2008	Stevens et al.					
D569,373 S *	5/2008	Lee et al. ....	D14/341				
D569,374 S *	5/2008	Kataoka et al. ....	D14/341				
D570,347 S *	6/2008	Kataoka et al. ....	D14/341				
D571,799 S *	6/2008	Ogasawara .....	D14/341				

## OTHER PUBLICATIONS

Motorola Sidekick Slide, "Full Phone Specifications", 2 page article; [http://www.gsmarena.com/motorola\\_sidekick\\_slide-2218.php](http://www.gsmarena.com/motorola_sidekick_slide-2218.php); retrieved May 23, 2008.

Samsung F700, "Full Phone Specifications", 2 page article; [http://www.gsmarena.com/samsung\\_f700-1849.php](http://www.gsmarena.com/samsung_f700-1849.php); retrieved Feb. 8, 2007.

\* cited by examiner

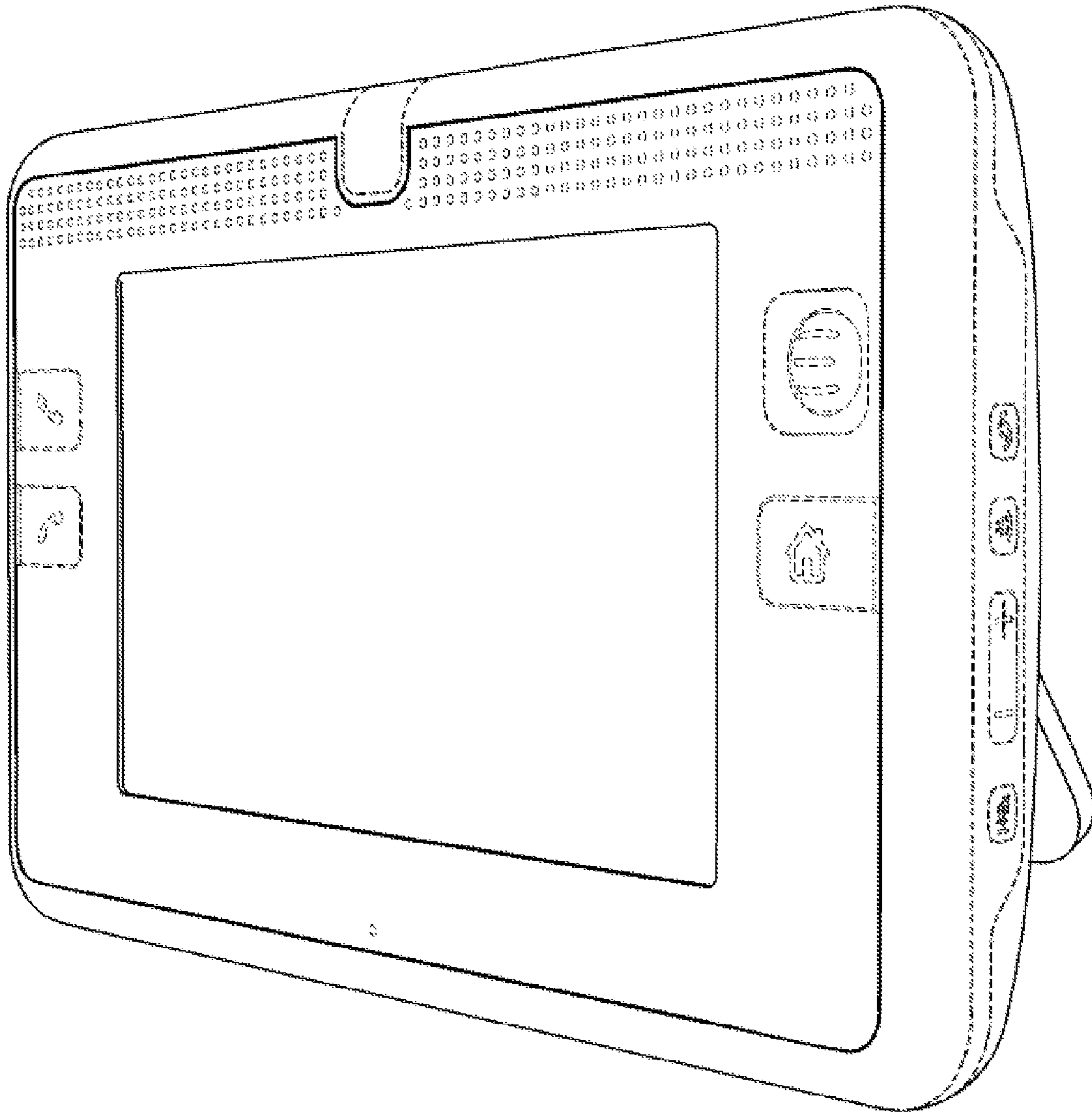


FIG. 1

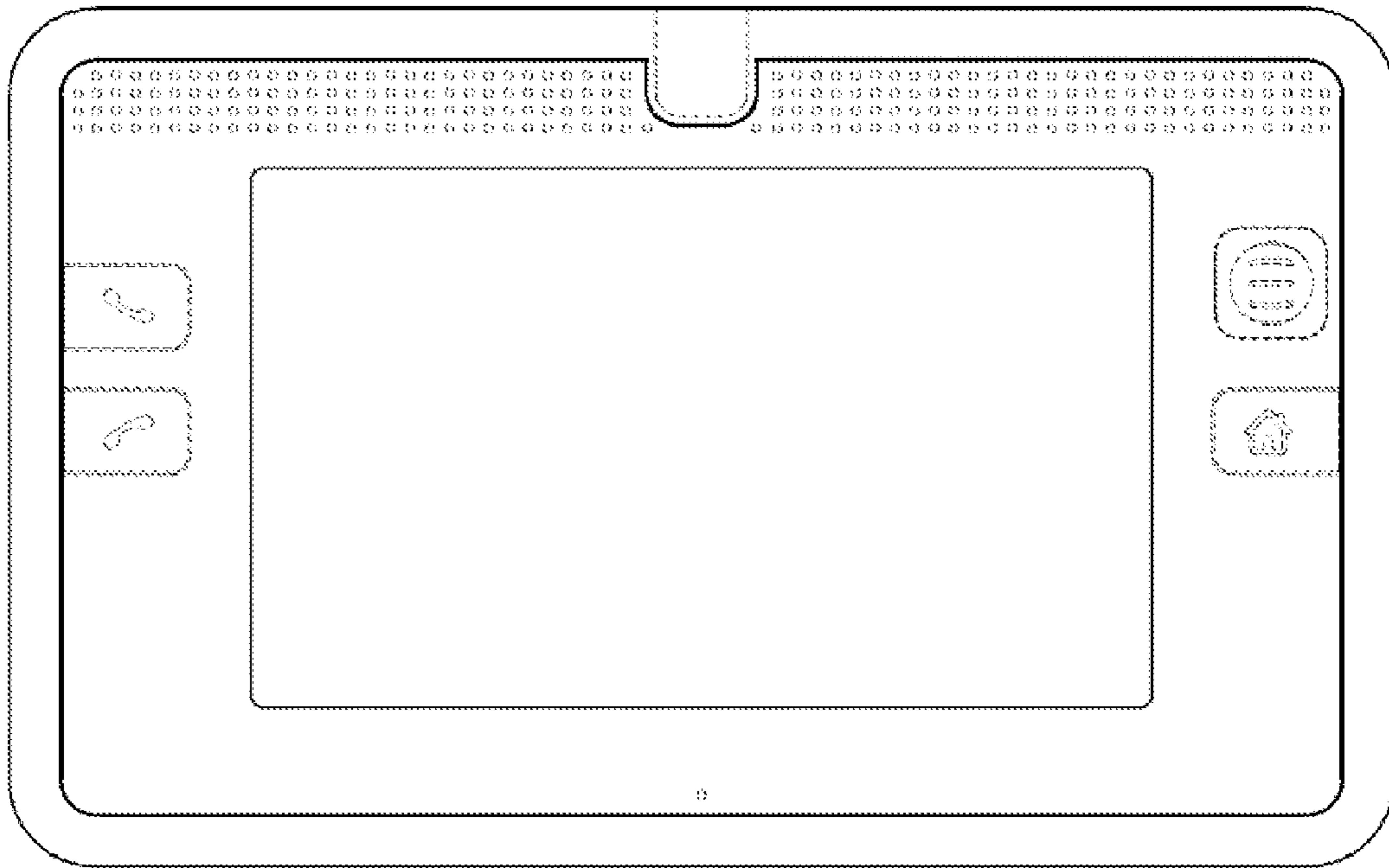


FIG. 2

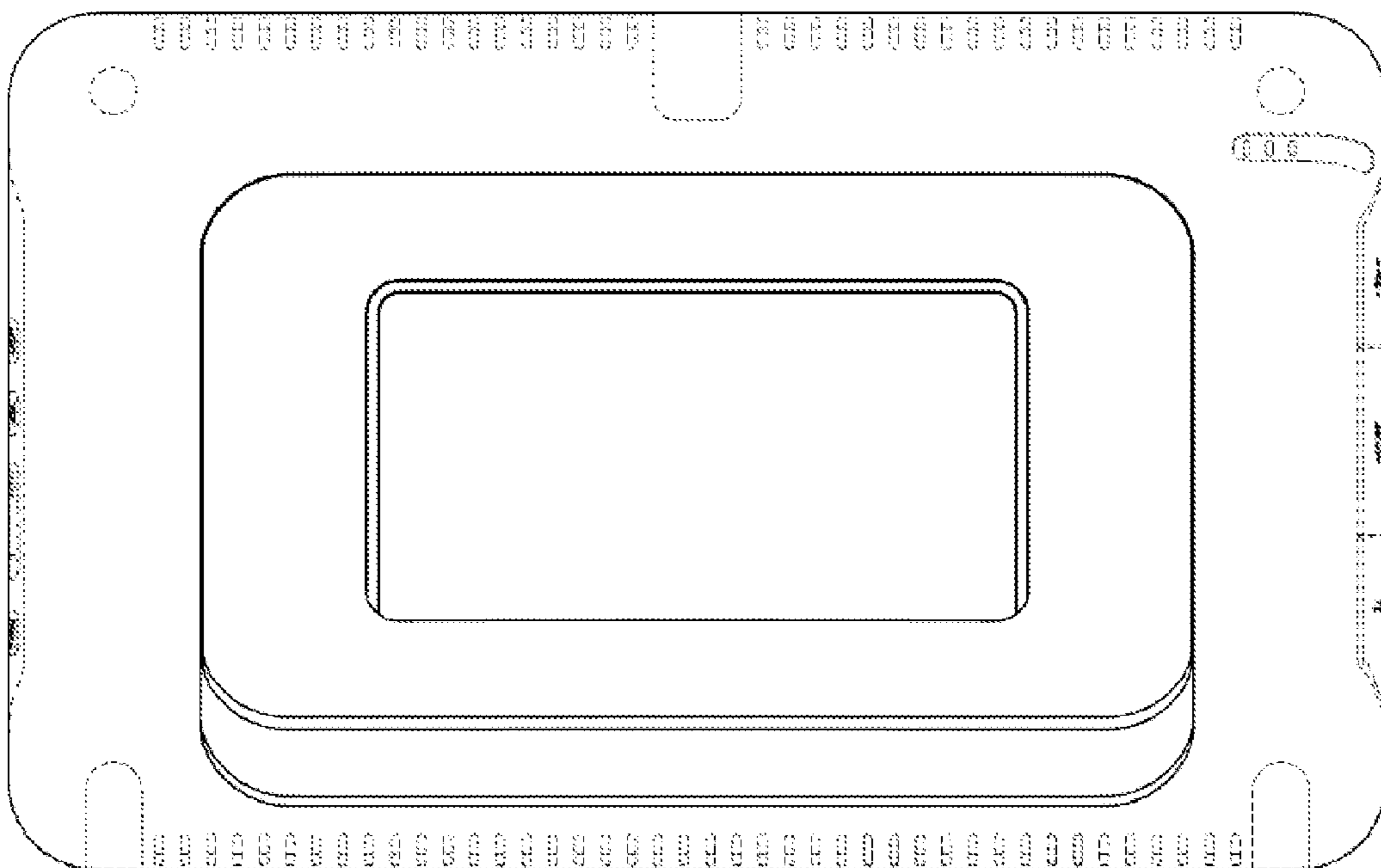


FIG. 3

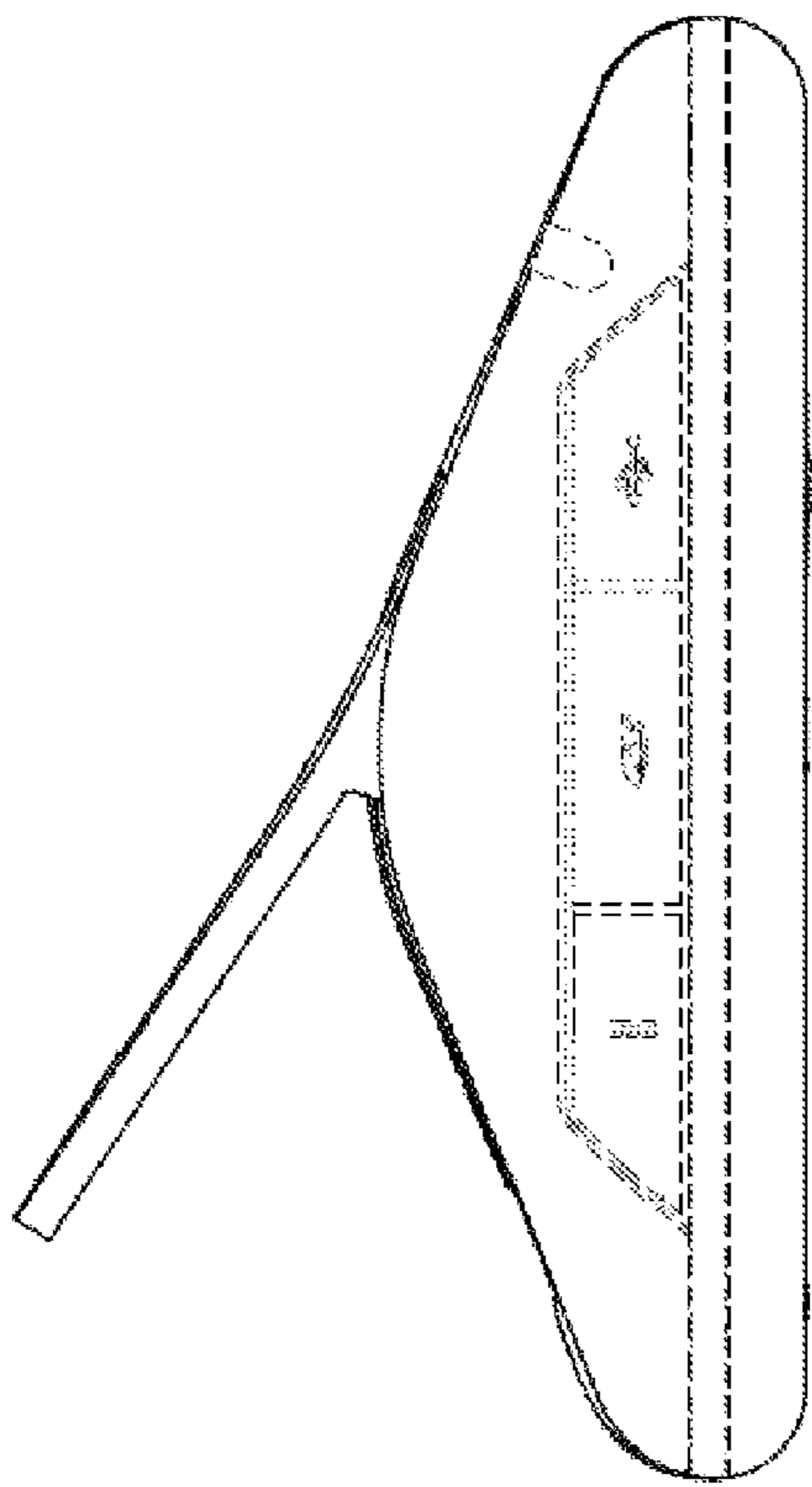


FIG. 4

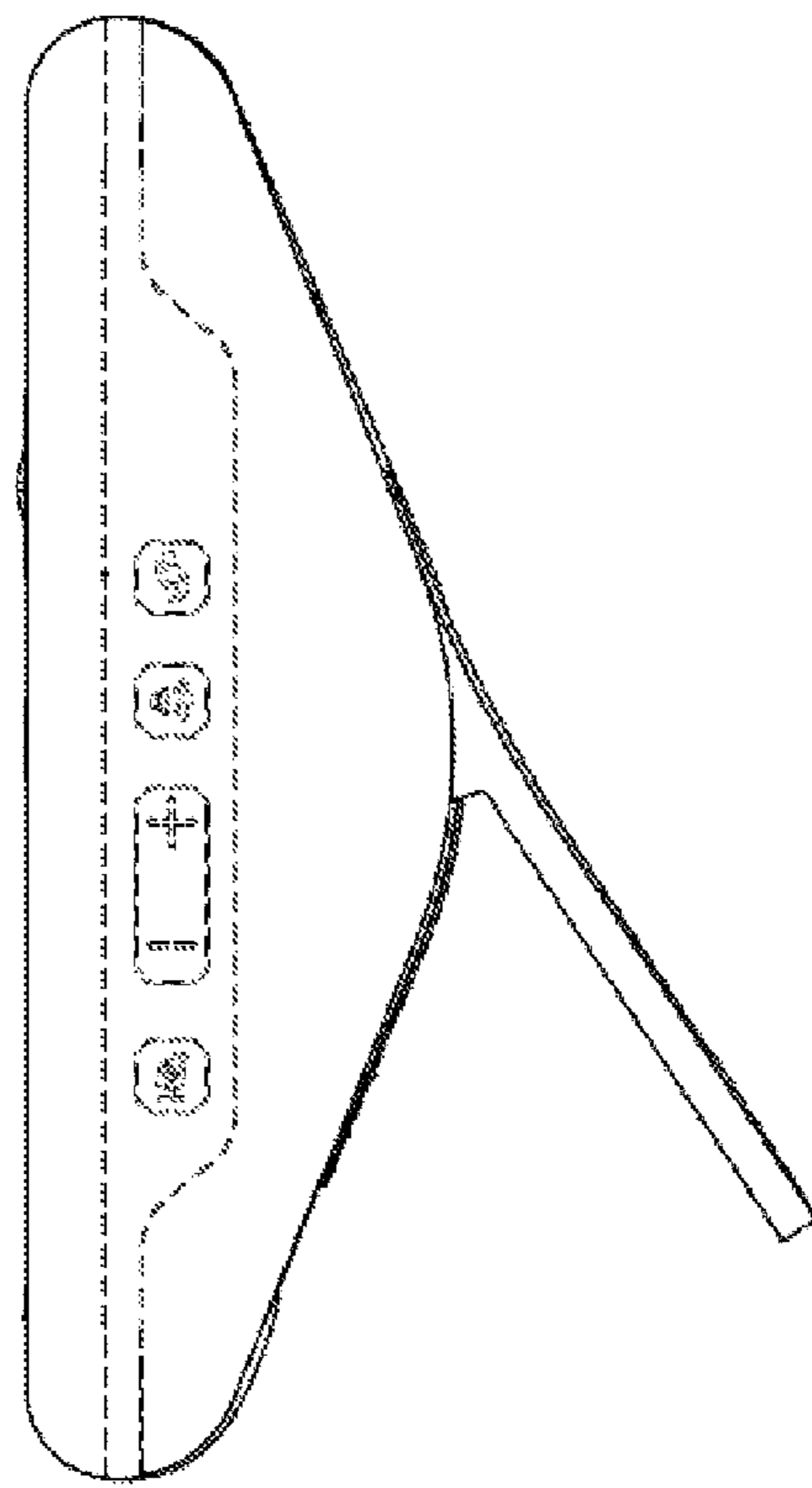


FIG. 5

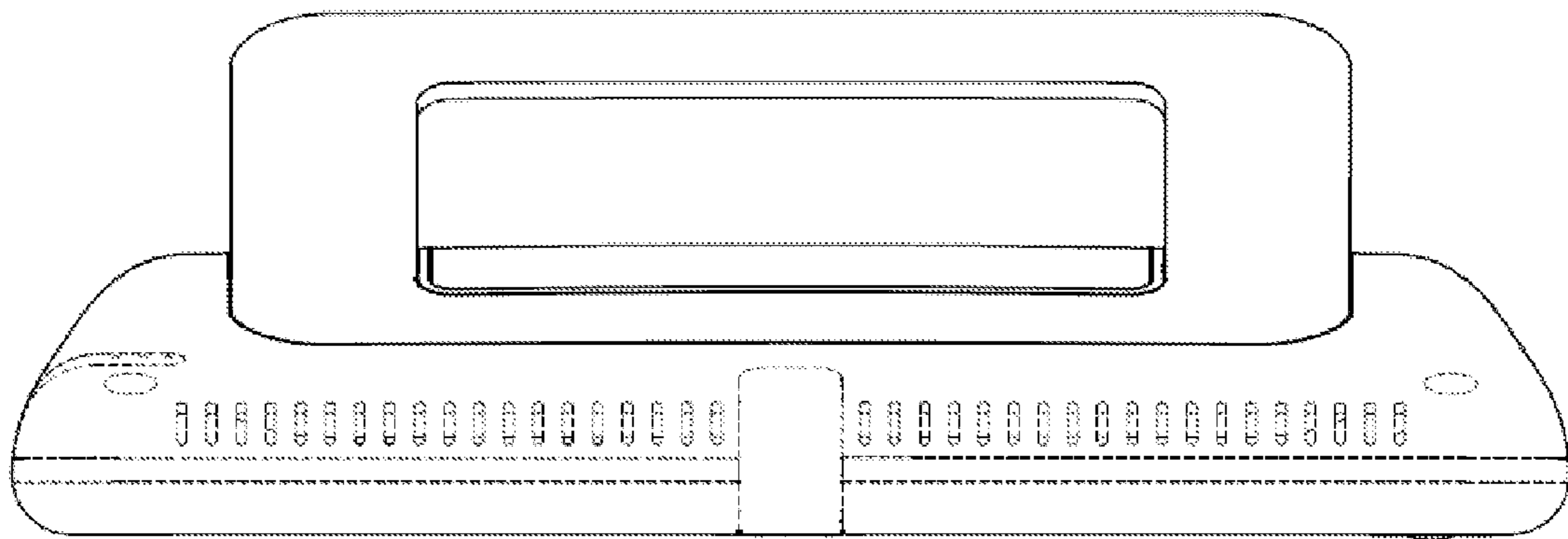


FIG. 6

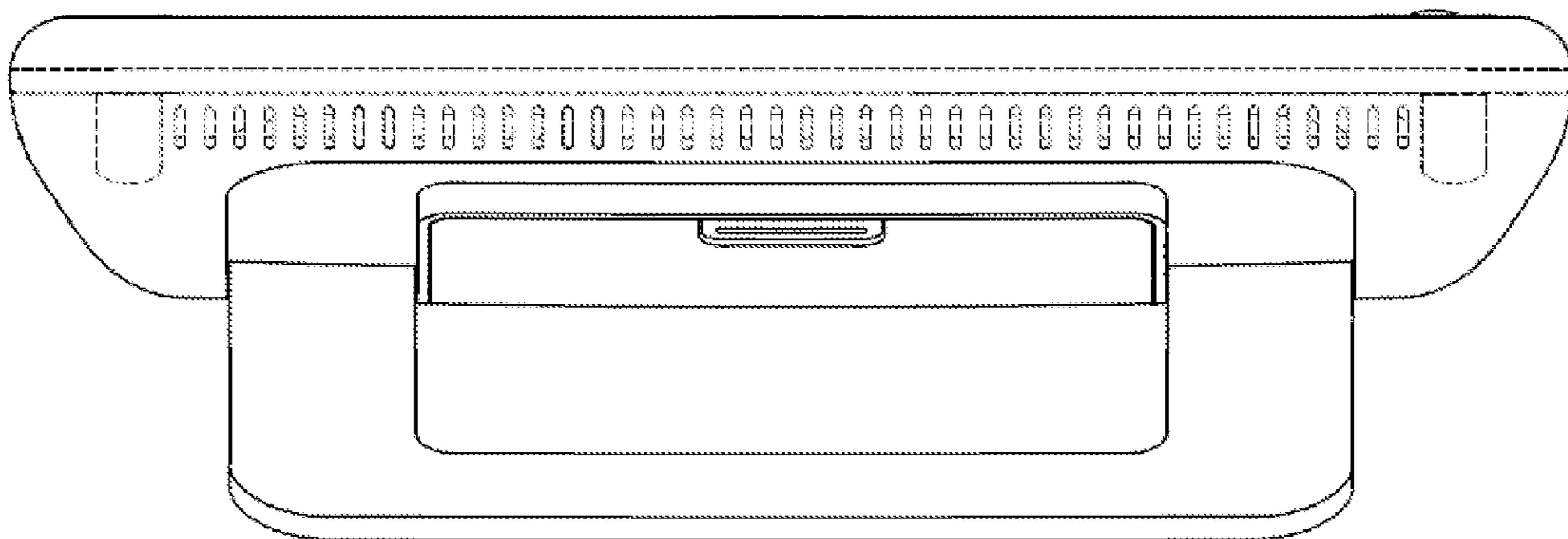


FIG. 7

FIG. 8

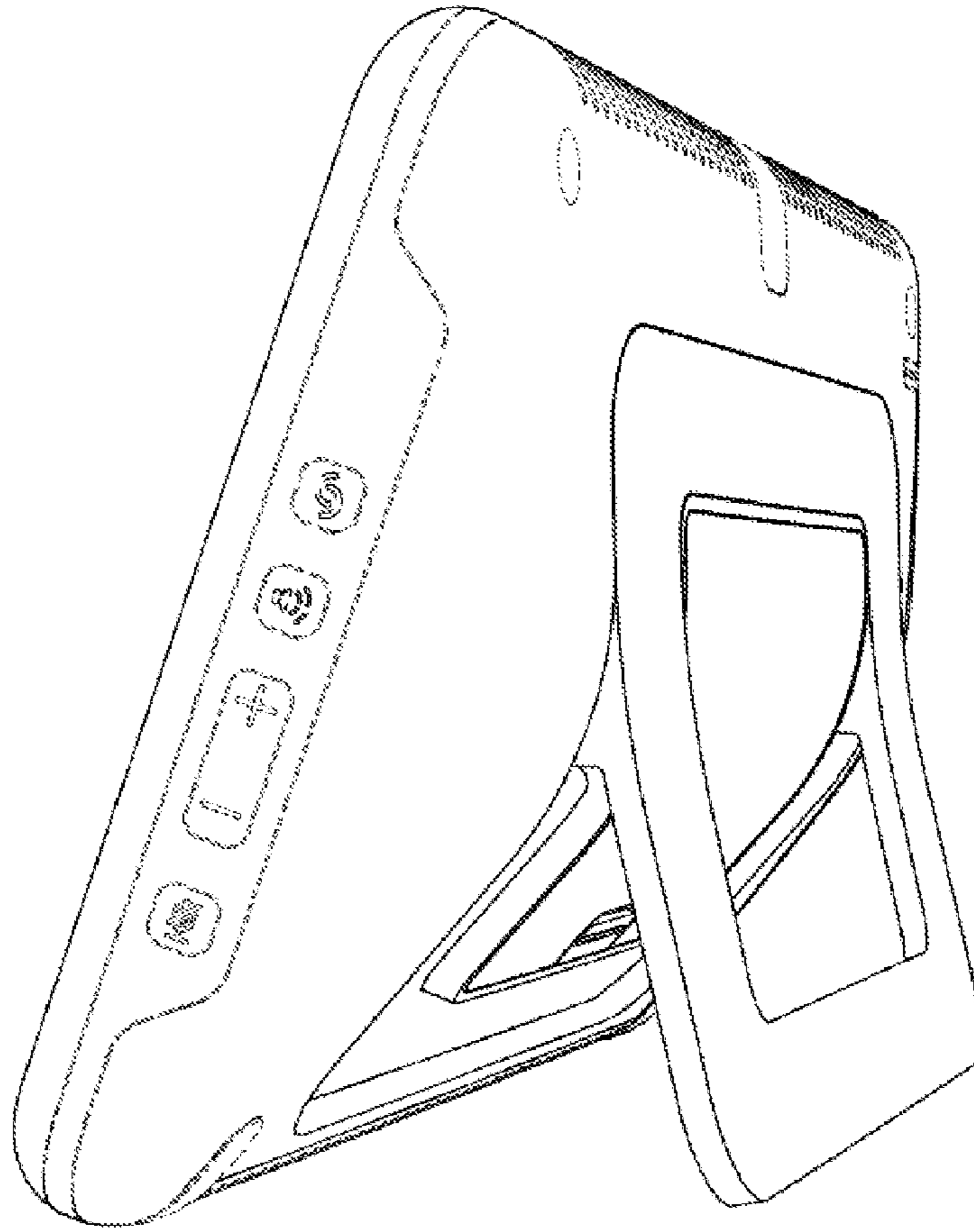


FIG. 9

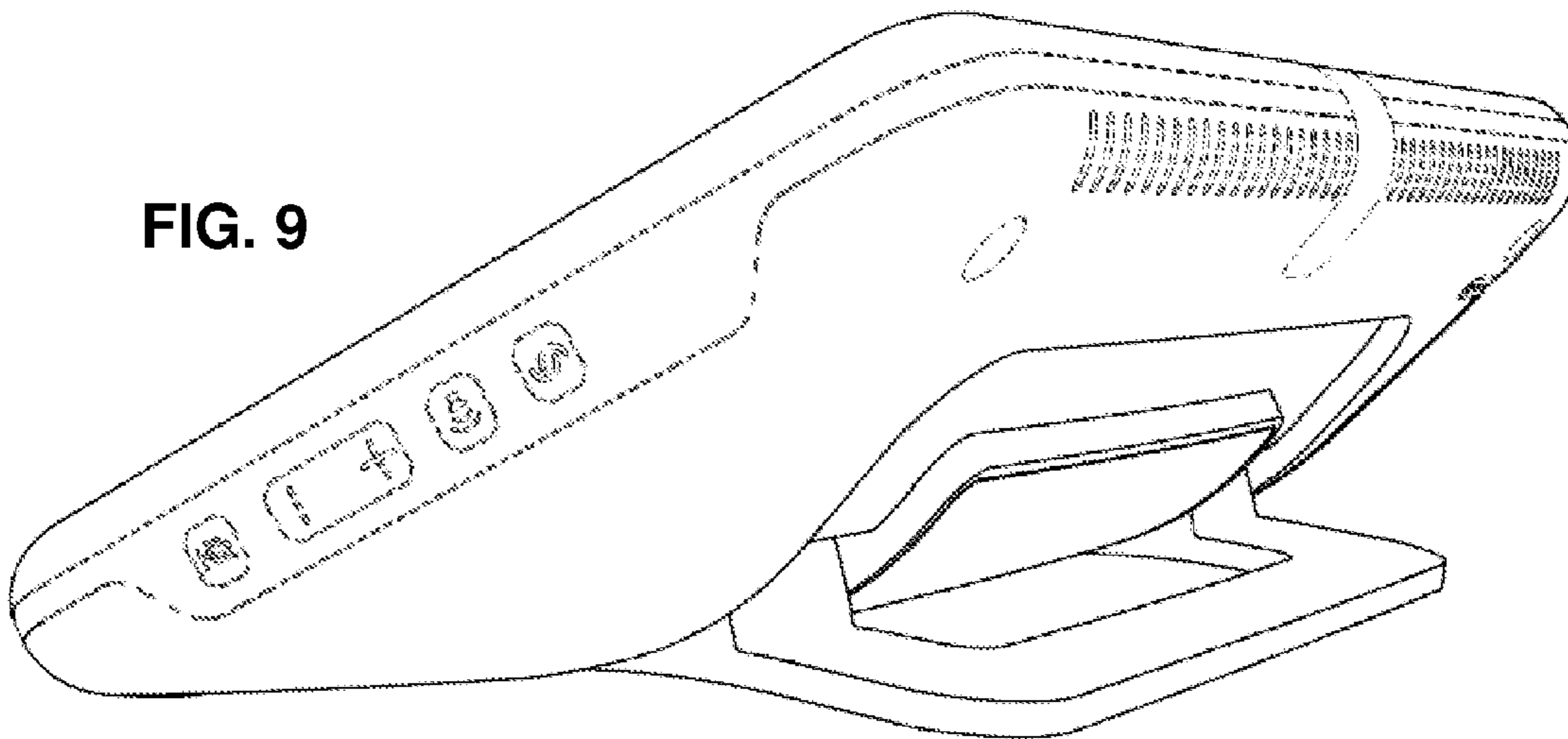


FIG. 10

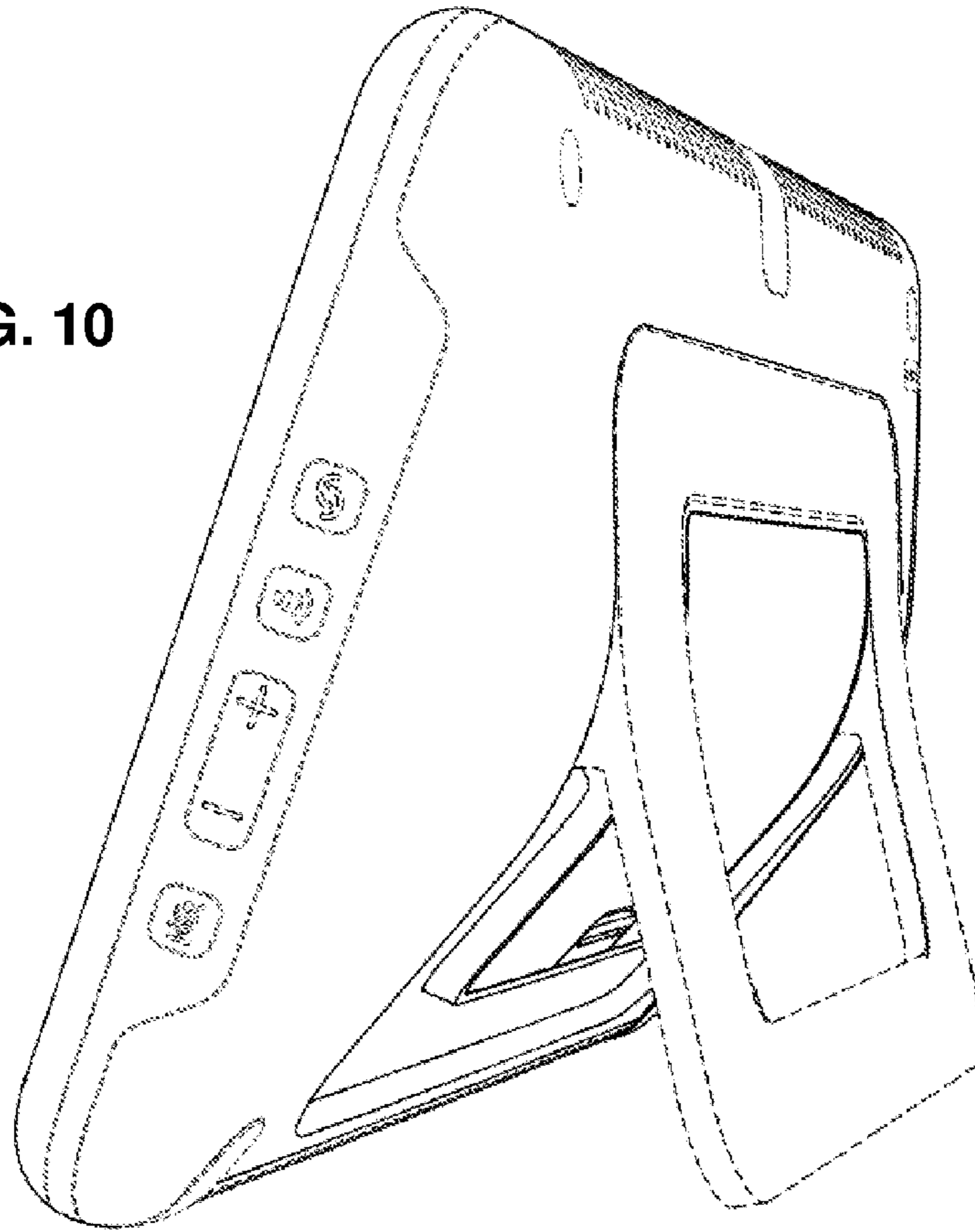


FIG. 11

