



US00D629770S

(12) **United States Design Patent**
Messner

(10) **Patent No.:** **US D629,770 S**

(45) **Date of Patent:** **** Dec. 28, 2010**

(54) **MEDIA PLAYER WITH CAMERA**

D583,828 S * 12/2008 Li et al. D14/496

(75) Inventor: **Barry Messner**, Anaheim Hills, CA
(US)

* cited by examiner

Primary Examiner—Rapahel Barkai
Assistant Examiner—Randall Gholson

(73) Assignee: **MerchSource, LLC**, Foothill Ranch, CA
(US)

(74) *Attorney, Agent, or Firm*—The Eclipse Group LLP

(**) Term: **14 Years**

(57) **CLAIM**

(21) Appl. No.: **29/325,504**

We claim the ornamental design for a media player with a camera, as shown and described.

(22) Filed: **Oct. 1, 2008**

DESCRIPTION

(51) **LOC (9) Cl.** **14-01**

FIG. 1 is a front perspective view of a media player with a camera.

(52) **U.S. Cl.** **D14/129; D16/208**

FIG. 2 is a rear perspective view of the media player with a camera illustrated in FIG. 1.

(58) **Field of Classification Search** D14/125–134,
D14/137, 138, 147, 156, 157, 160, 167, 168,
D14/188, 204, 218, 341–347, 496, 435, 474,
D14/483; 369/1, 2, 75.11, 86, 99; 370/342–344;
455/344–351, 90.3, 556.2; 273/148 B; 463/1,
463/43–47; 379/433.01–433.13; 361/814;
348/14.02

FIG. 3 is a front elevational view of the media player with a camera illustrated in FIG. 1.

See application file for complete search history.

FIG. 4 is a rear elevational view of the media player with a camera illustrated in FIG. 1.

(56) **References Cited**

FIG. 5 is a right side view of the media player with a camera illustrated in FIG. 1.

U.S. PATENT DOCUMENTS

FIG. 6 is a left side view of the media player with a camera illustrated in FIG. 1.

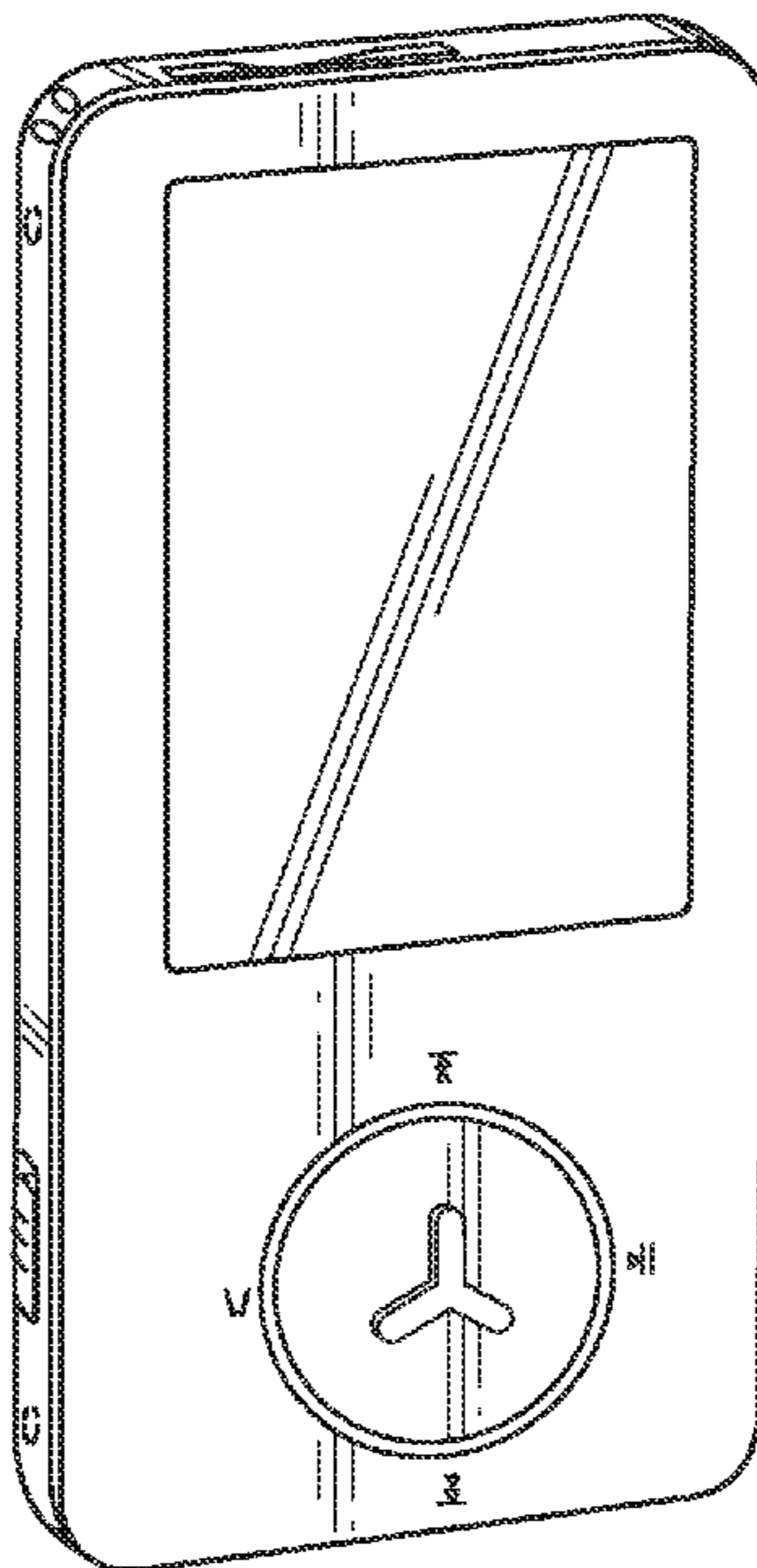
- D511,347 S * 11/2005 Naruki D14/203.7
- D554,149 S * 10/2007 Kim D14/496
- D560,683 S * 1/2008 Lee D14/496
- D561,204 S * 2/2008 Toh D14/496
- D566,726 S * 4/2008 Kaneko et al. D14/496
- D571,376 S * 6/2008 Kaneko et al. D14/496
- D571,825 S * 6/2008 Ledbetter et al. D14/496
- D572,268 S * 7/2008 Niizawa et al. D14/496
- D575,799 S * 8/2008 Zhang et al. D14/496
- D578,140 S * 10/2008 Sheba et al. D14/496

FIG. 7 is a top plan view of the media player with a camera illustrated in FIG. 1; and,

FIG. 8 is a bottom plan view of the media player with a camera illustrated in FIG. 1.

The portions of the media player with a camera in broken lines are shown for illustrative purposes only and form no part of the claimed design.

1 Claim, 6 Drawing Sheets



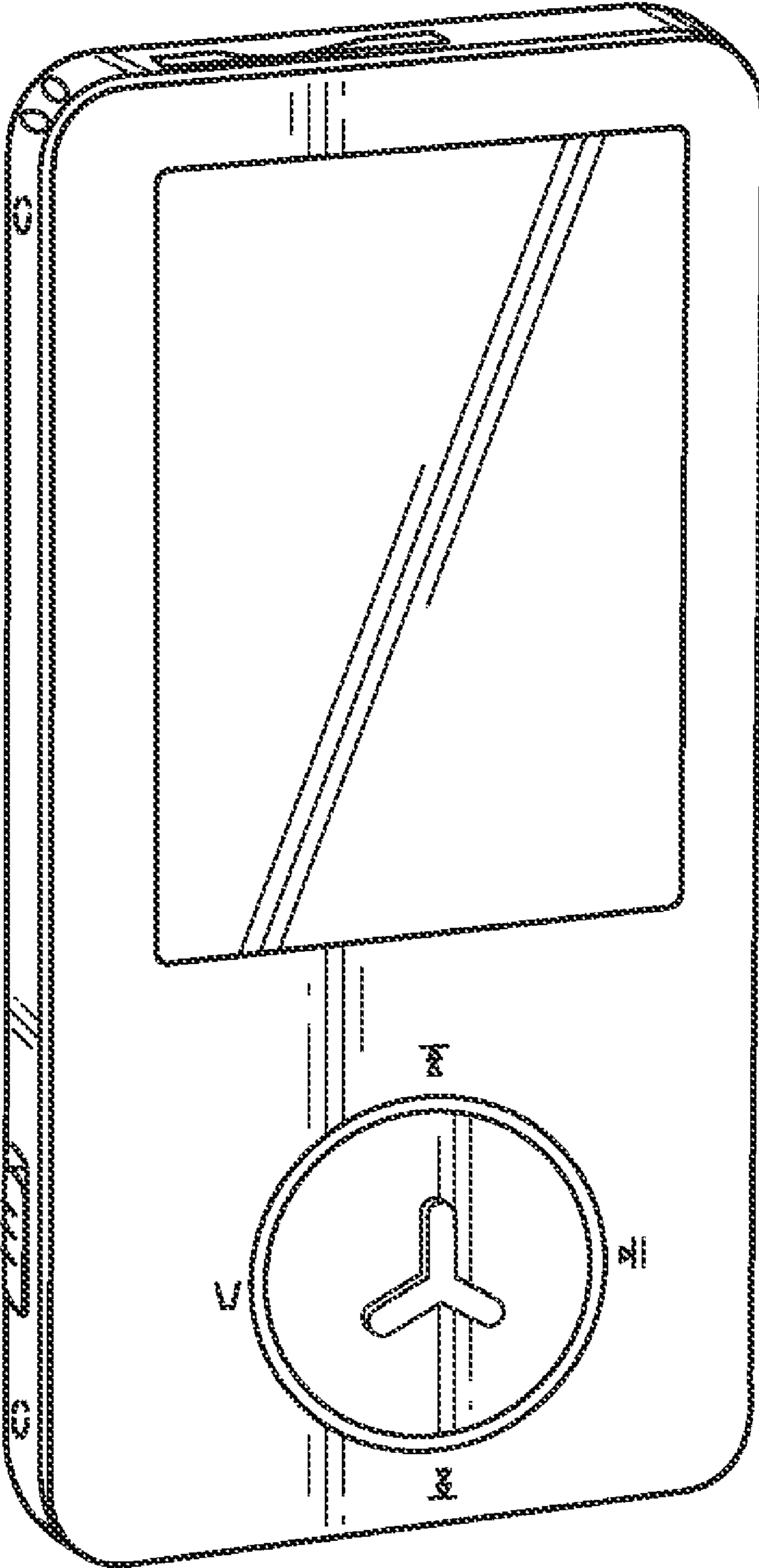


Fig. 1

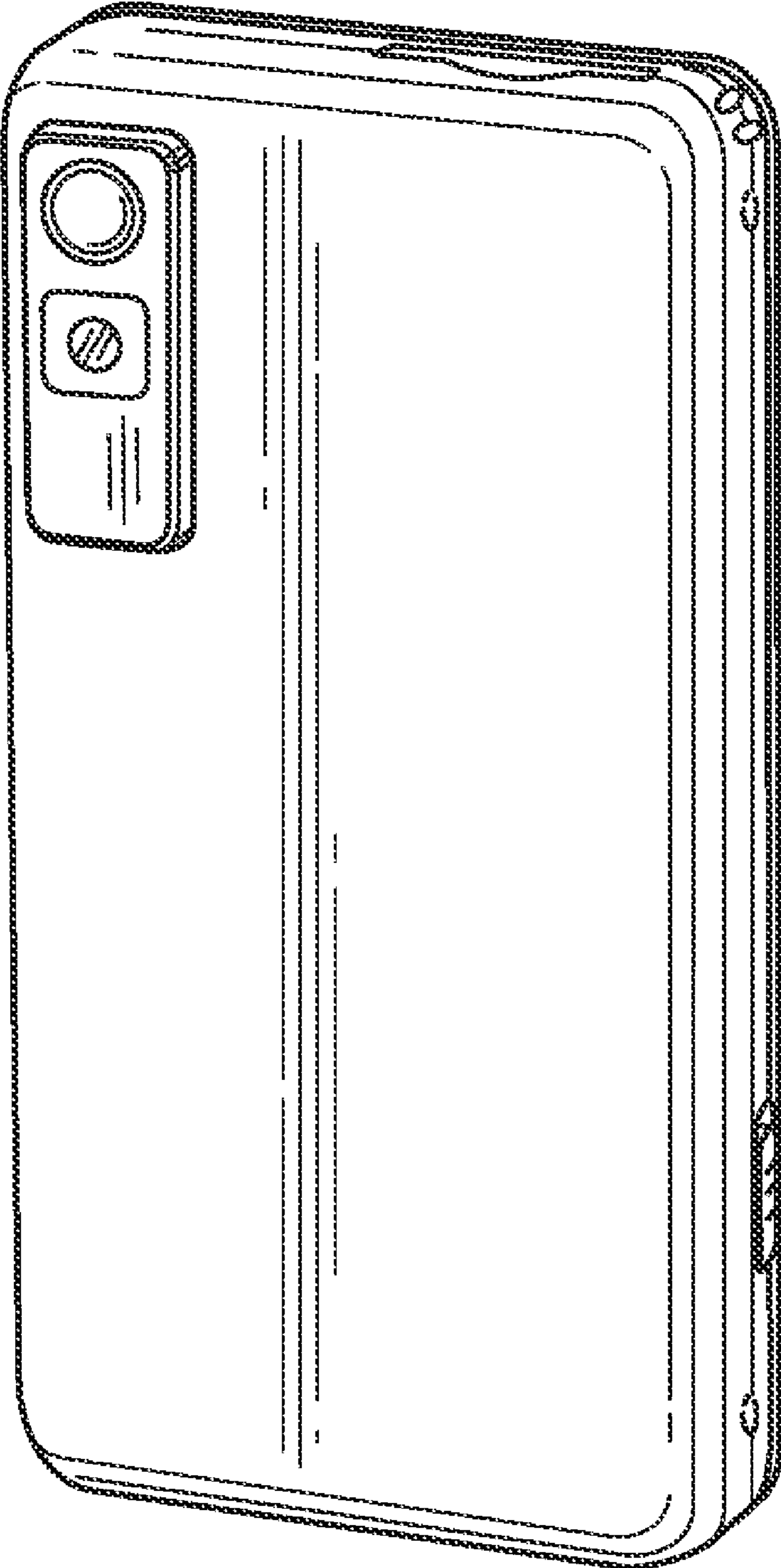


Fig. 2

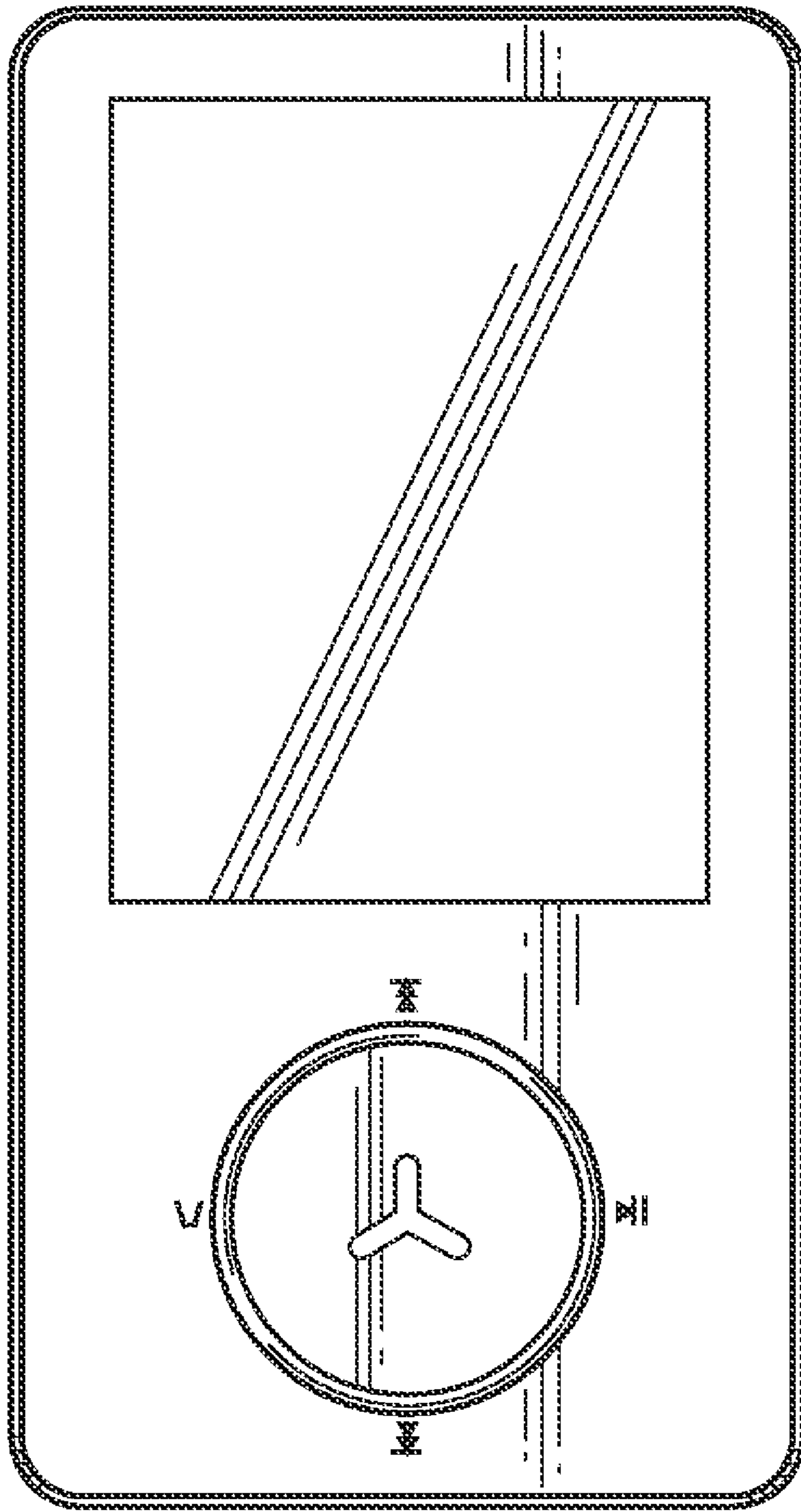


Fig. 3

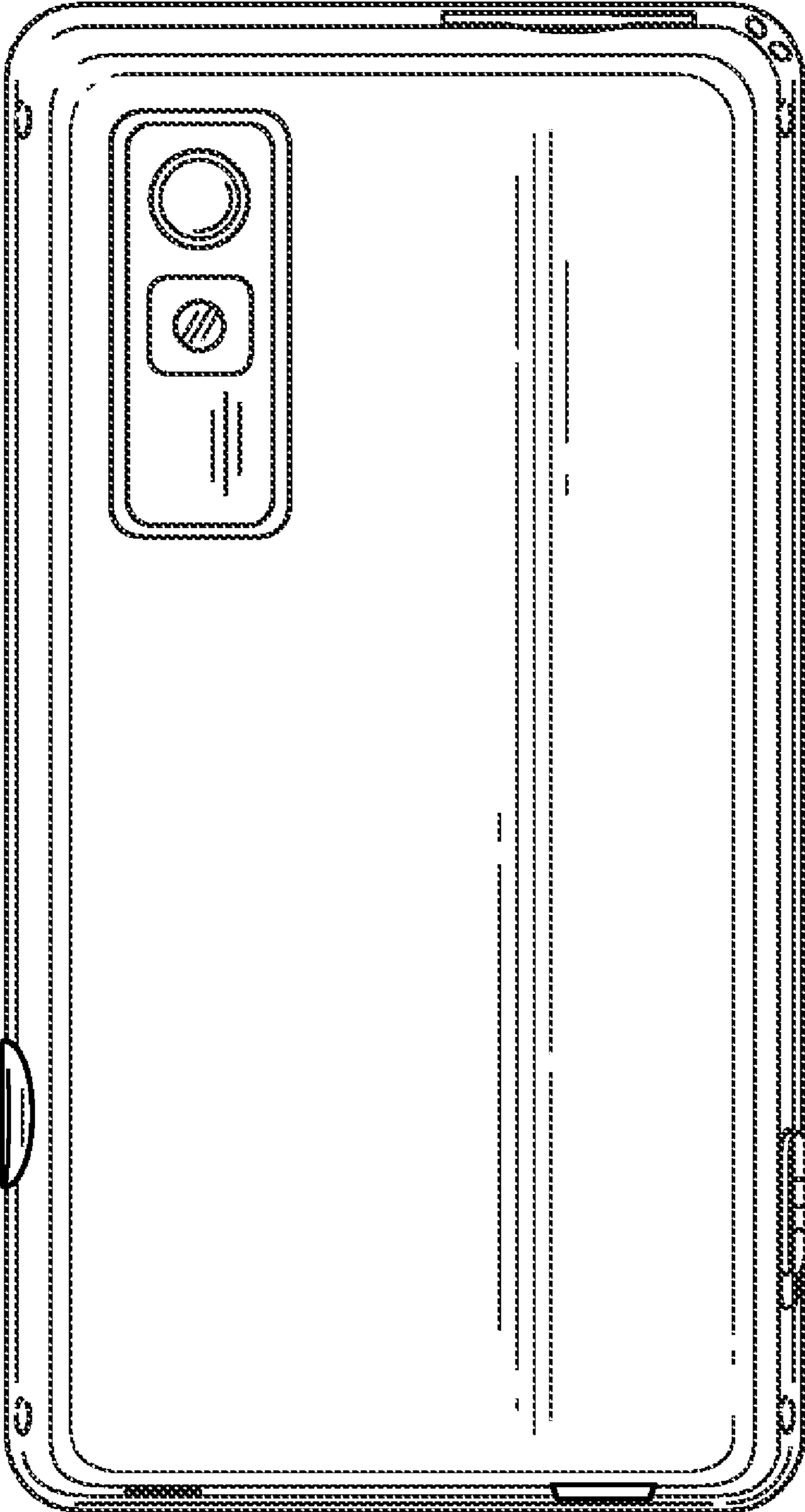


Fig. 4

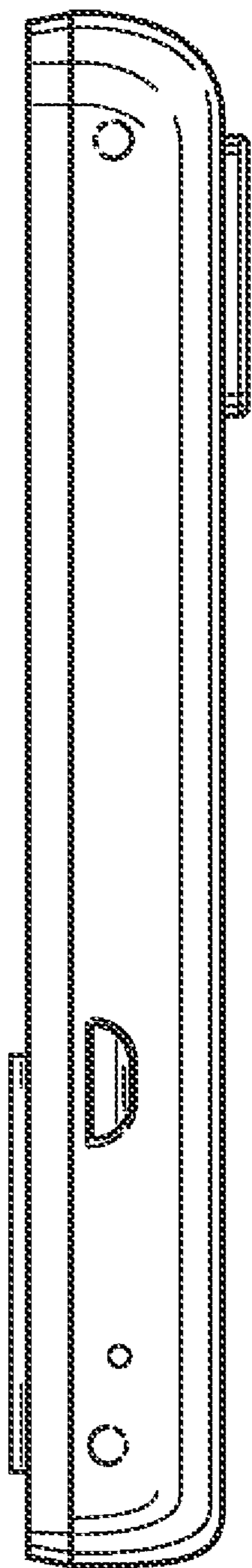


Fig. 5

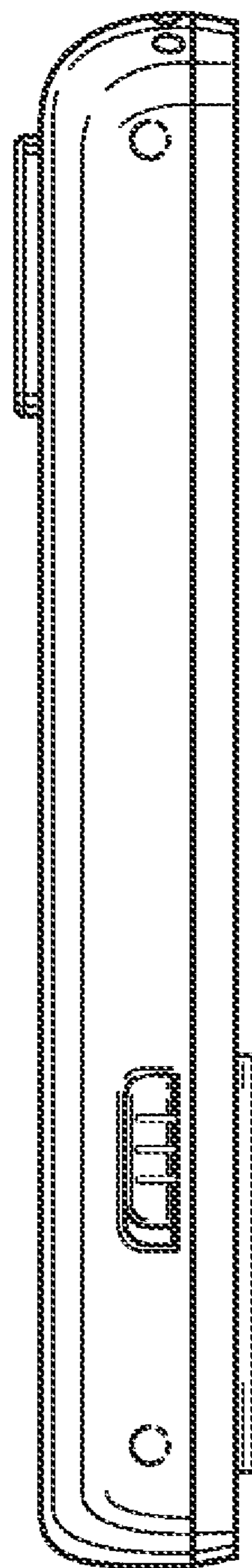


Fig. 6

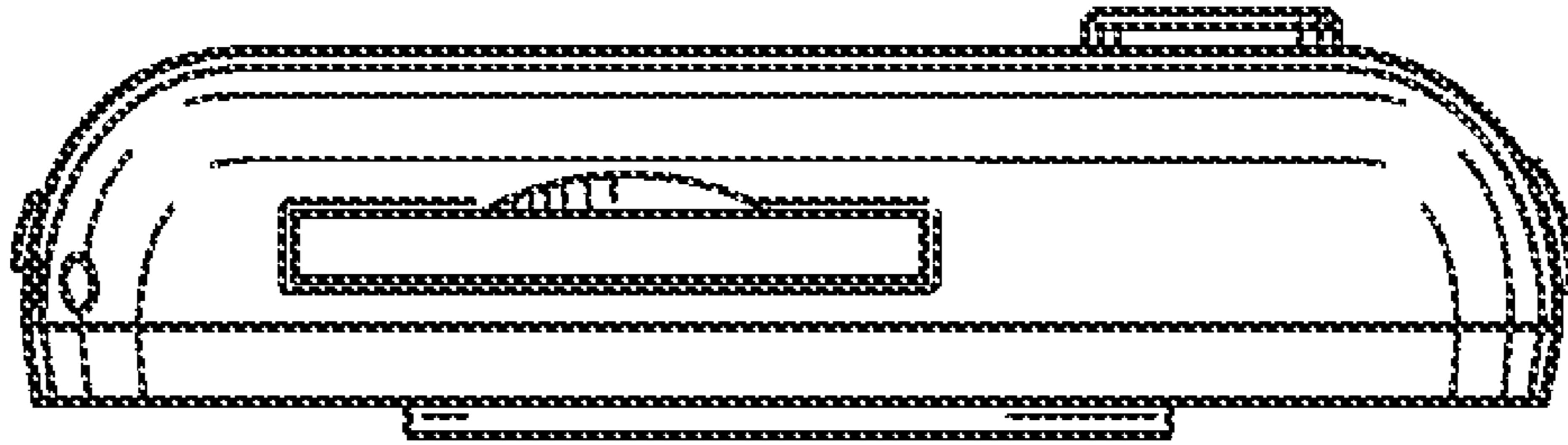


Fig. 7

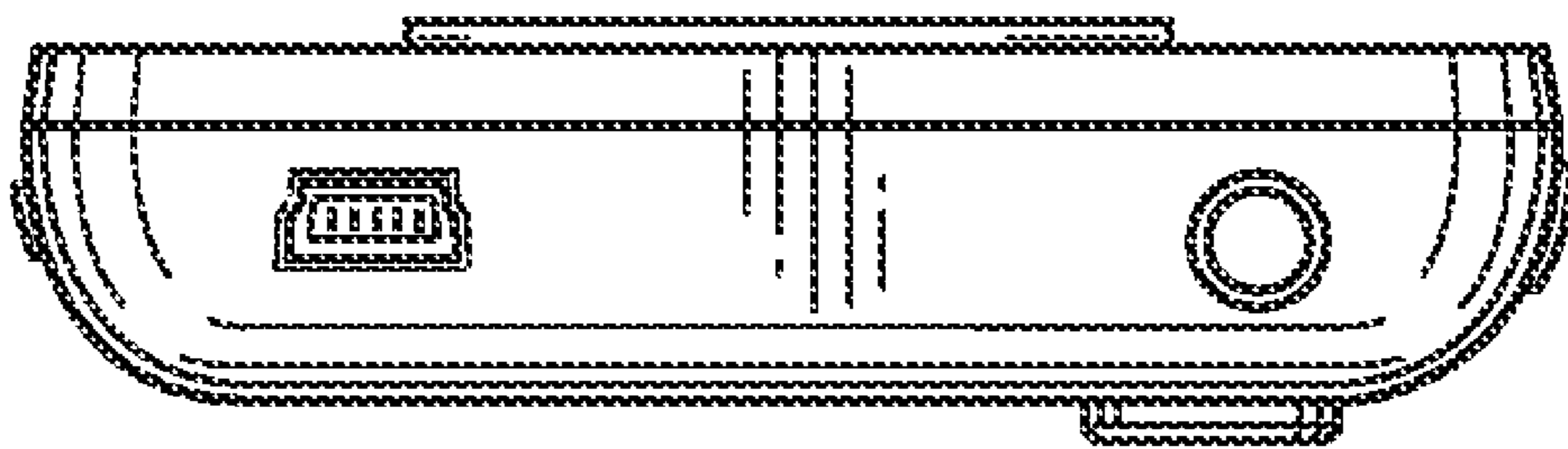


Fig. 8