



US00D629766S

(12) **United States Design Patent**  
**Stepanian**

(10) **Patent No.:** **US D629,766 S**

(45) **Date of Patent:** **\*\* Dec. 28, 2010**

(54) **CONTROL BUTTON ARRAY FOR REMOTE CONTROL HOUSING**

(76) Inventor: **Robert Stepanian**, 4134 Cranford Cir., San Jose, CA (US) 95124

(\*\*) Term: **14 Years**

(21) Appl. No.: **29/342,589**

(22) Filed: **Aug. 27, 2009**

(51) **LOC (9) Cl.** ..... **13-03**

(52) **U.S. Cl.** ..... **D13/174; D13/168**

(58) **Field of Classification Search** ..... D13/168, D13/174; D10/104, 106; D14/218, 247, D14/399, 400, 454, 455, 456, 138 AA; D18/41; D21/385; 455/352; 345/156, 169; 348/734; 340/825.22, 825.24, 825.25, 825.31, 825.36, 340/825.69, 825.72; 341/176

See application file for complete search history.

(56) **References Cited**

**U.S. PATENT DOCUMENTS**

D202,348 S *	9/1965	Cochrane .....	D13/174
D239,394 S *	3/1976	Adams et al. ....	D13/169
D287,598 S *	1/1987	Moggridge .....	D14/456
5,650,831 A	7/1997	Farwell	
D387,061 S	12/1997	Nozoe	
D395,891 S	7/1998	Gerba et al.	
D400,885 S *	11/1998	Goto .....	D14/218
D407,071 S	3/1999	Keating	
D425,899 S	5/2000	Dent	
D440,970 S *	4/2001	Henderson et al. ....	D14/399
D470,854 S *	2/2003	Jones et al. ....	D14/456
6,518,953 B1 *	2/2003	Armstrong .....	345/159
D471,201 S *	3/2003	Tsukuda .....	D14/455
6,707,448 B1	3/2004	Kunimatsu et al.	
6,810,271 B1 *	10/2004	Wood et al. ....	455/566
D504,417 S	4/2005	Reza et al.	
D514,527 S	2/2006	DiPasquale	
D532,754 S *	11/2006	Ng et al. ....	D13/168
D534,131 S	12/2006	Ng et al.	
D542,236 S *	5/2007	Klein et al. ....	D13/168

D542,260 S *	5/2007	Lee .....	D14/138 AA
D552,599 S *	10/2007	Krzyzanowski et al. ....	D14/218
D562,300 S *	2/2008	Marry et al. ....	D14/138 AA
D592,651 S *	5/2009	Tompkin .....	D14/247
D603,414 S *	11/2009	Wun et al. ....	D14/455
D605,711 S *	12/2009	Ben-Moshe .....	D21/517
D607,847 S *	1/2010	Elliott et al. ....	D13/168
D616,427 S *	5/2010	Li .....	D14/247
2002/0002707 A1	1/2002	Ekel et al.	
2002/0092025 A1	7/2002	Klump	
2002/0158812 A1	10/2002	Pallakoff	
2003/0174084 A1	9/2003	Maeda	
2004/0224638 A1	11/2004	Fadell et al.	
2005/0012723 A1	1/2005	Pallakoff	
2006/0017857 A1	1/2006	Sata et al.	
2010/0182515 A1 *	7/2010	Lou .....	348/734

\* cited by examiner

*Primary Examiner*—Selina Sikder

(74) *Attorney, Agent, or Firm*—James F. Hann; Haynes Beffel & Wolfeld LLP

(57) **CLAIM**

The ornamental design for a control button array for remote control housing, as shown and described.

**DESCRIPTION**

This is related to copending U.S. patent application, titled Control Button Array for Remote Control Housing filed on the same date as this application, 29/342,587, the disclosure of which is incorporated by reference.

FIG. 1 is a top, right, rear view of a control button array for remote control housing showing our new design;

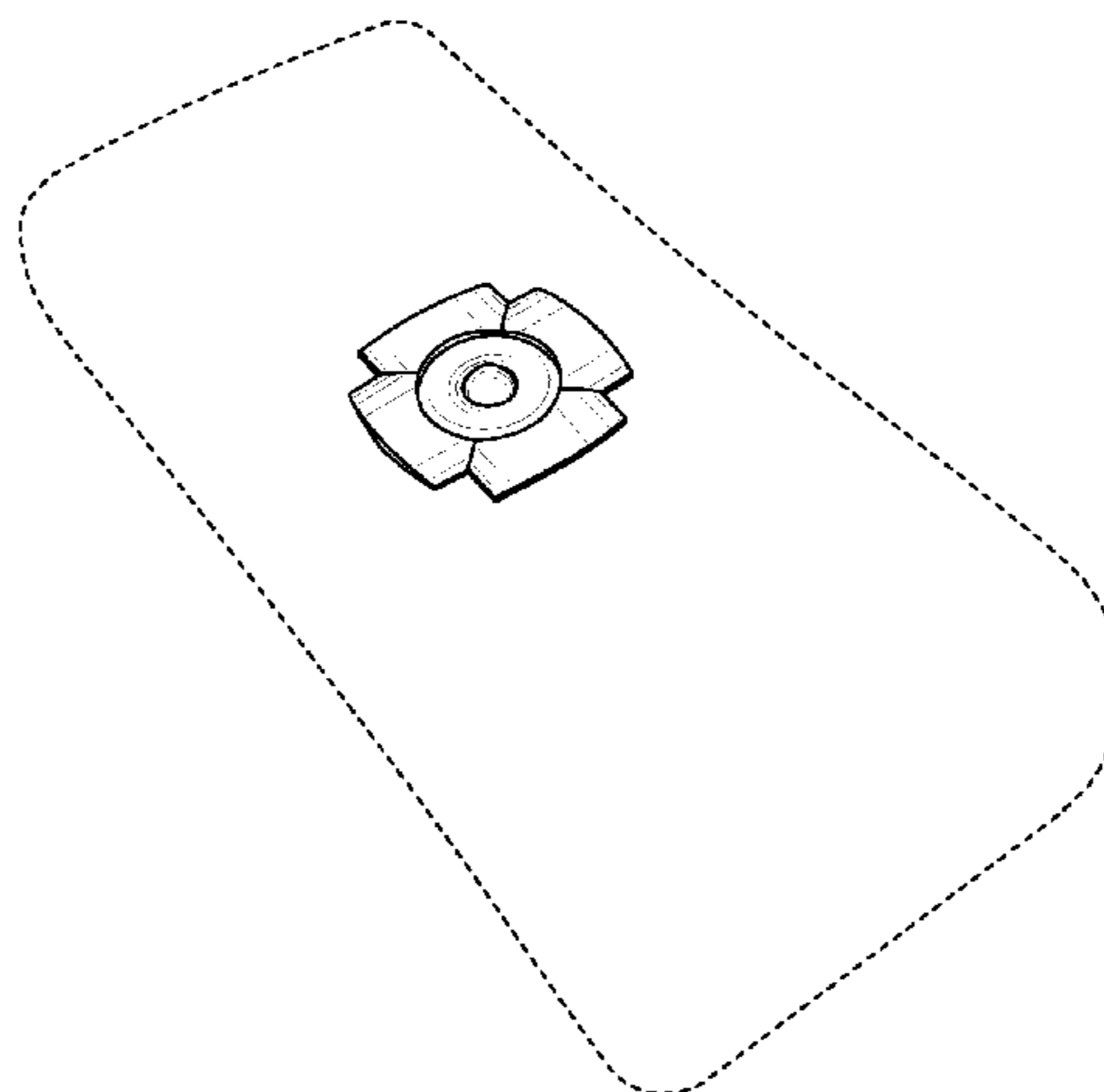
FIG. 2 is a top plan view thereof; and,

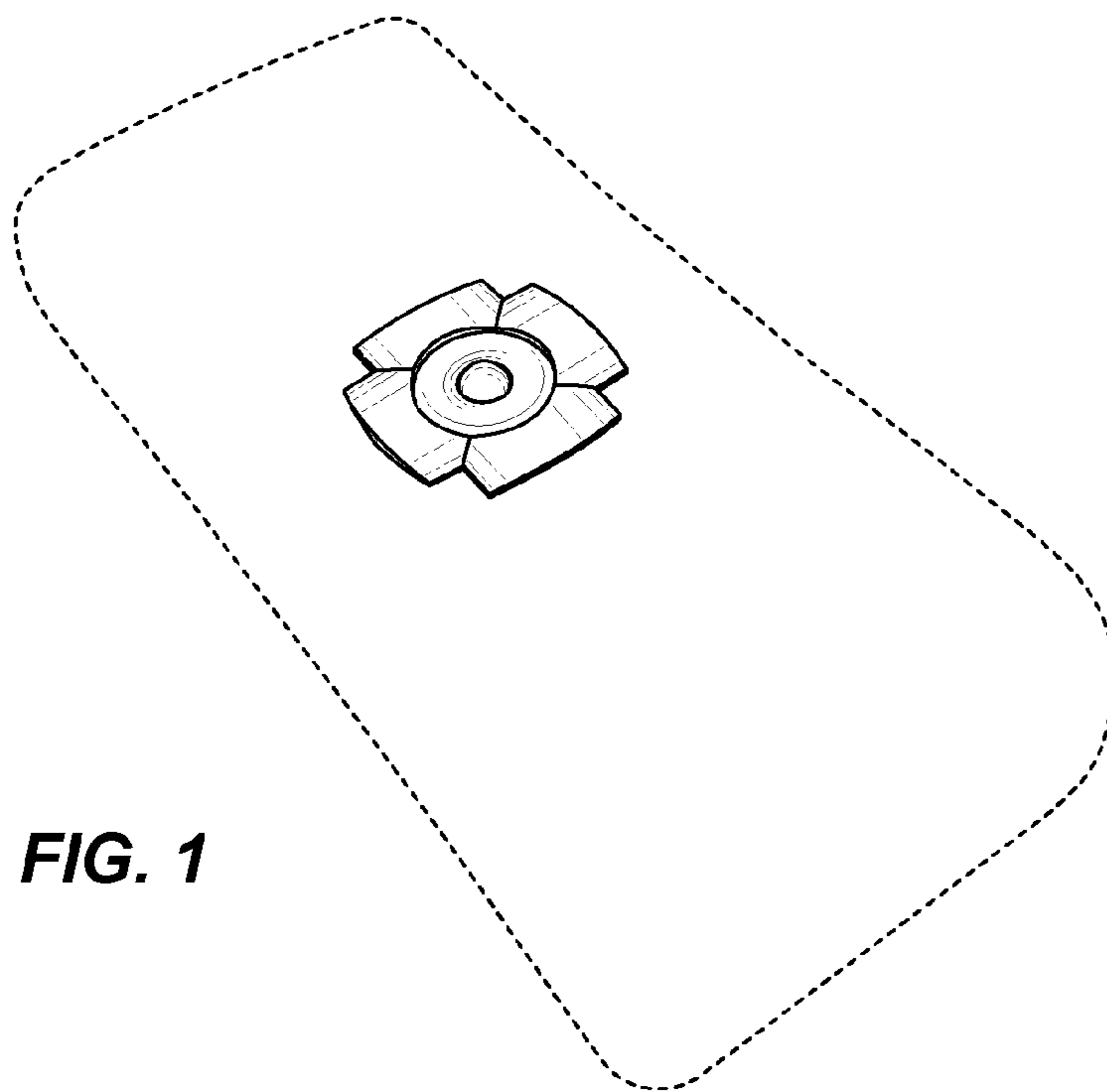
FIG. 3 is a right side elevational view thereof.

The broken lines in all views are shown for illustrative purposes only and form no part of the claimed design.

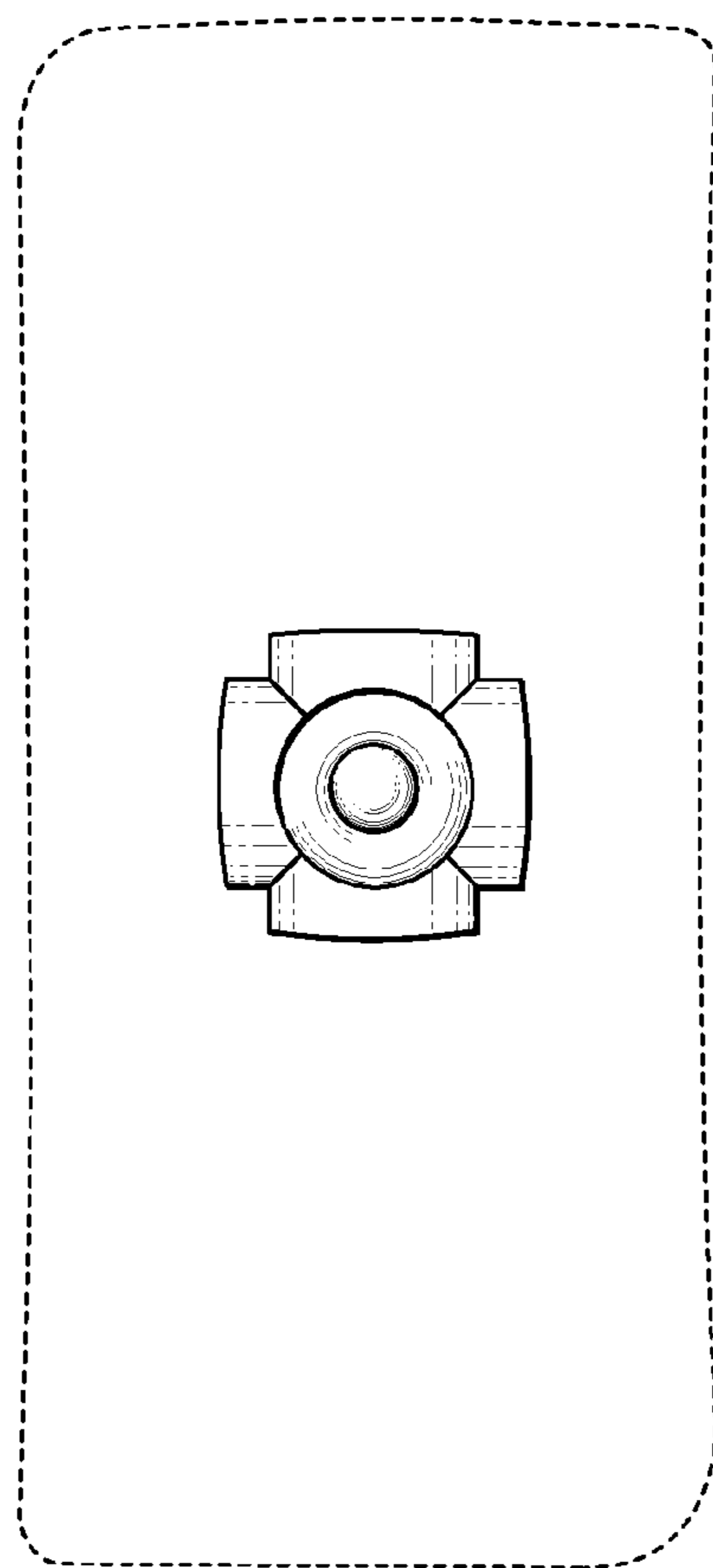
The control button array for remote control housing is used as an input for a remote control.

**1 Claim, 1 Drawing Sheet**

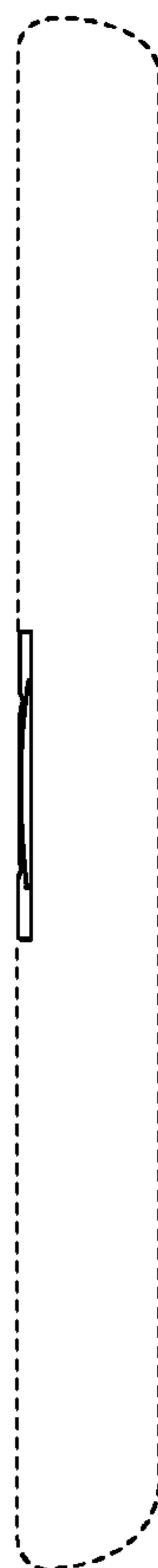




**FIG. 1**



**FIG. 2**



**FIG. 3**