



US00D629764S

(12) **United States Design Patent**  
**de Swarte et al.**

(10) **Patent No.:** **US D629,764 S**

(45) **Date of Patent:** **\*\* Dec. 28, 2010**

(54) **REMOTE CONTROL**

(75) Inventors: **Gregory de Swarte**, Sheboygan, WI (US); **Hsin-I Tsai**, Cheltenham (GB); **Julie L. Yessin**, Brookfield, CT (US); **Herbert V. Kohler, Jr.**, Kohler, WI (US)

(73) Assignee: **Kohler Co.**, Kohler, WI (US)

(\*\*) Term: **14 Years**

(21) Appl. No.: **29/359,362**

(22) Filed: **Apr. 9, 2010**

(51) **LOC (9) Cl.** ..... **14-03**

(52) **U.S. Cl.** ..... **D13/168**

(58) **Field of Classification Search** ..... D13/168;  
D10/104, 106; D14/218; 340/825.22, 825.24,  
340/825.25, 825.31, 825.36, 825.69, 825.72;  
341/176; 455/352; 345/156, 169; 348/734;  
463/39; 700/17, 65, 83

See application file for complete search history.

(56) **References Cited**

U.S. PATENT DOCUMENTS

D313,973 S *	1/1991	Walker	.....	D13/168
D325,581 S *	4/1992	Schwartz	.....	D14/218
D355,895 S *	2/1995	Soren et al.	.....	D14/240
D385,541 S *	10/1997	Taylor	.....	D13/168
D401,911 S *	12/1998	Hwang	.....	D13/168
D405,796 S *	2/1999	Uehara	.....	D14/218
D546,782 S *	7/2007	Poulet et al.	.....	D13/168
D547,275 S *	7/2007	Bonnaud	.....	D13/168

D551,215 S *	9/2007	Lee, Jr. et al.	.....	D14/218
D560,617 S *	1/2008	Poulet	.....	D13/158
D569,813 S *	5/2008	Charleux et al.	.....	D13/168
D608,303 S *	1/2010	Klausing et al.	.....	D13/168
D611,433 S *	3/2010	Tang et al.	.....	D13/168
D617,746 S *	6/2010	Choi	.....	D13/168
2007/0043454 A1 *	2/2007	Sonnenberg	.....	700/65
2007/0073423 A1 *	3/2007	Jeong	.....	700/65
2007/0093919 A1 *	4/2007	Ciechanowski et al.	.....	700/65

\* cited by examiner

*Primary Examiner*—Selina Sikder

(74) *Attorney, Agent, or Firm*—Ladas & Parry LLP

(57) **CLAIM**

The ornamental design for a remote control, as shown and described.

**DESCRIPTION**

FIG. 1 is a perspective view of the front, top, and right side of a remote control embodying our new design;

FIG. 2 is a top plan view thereof;

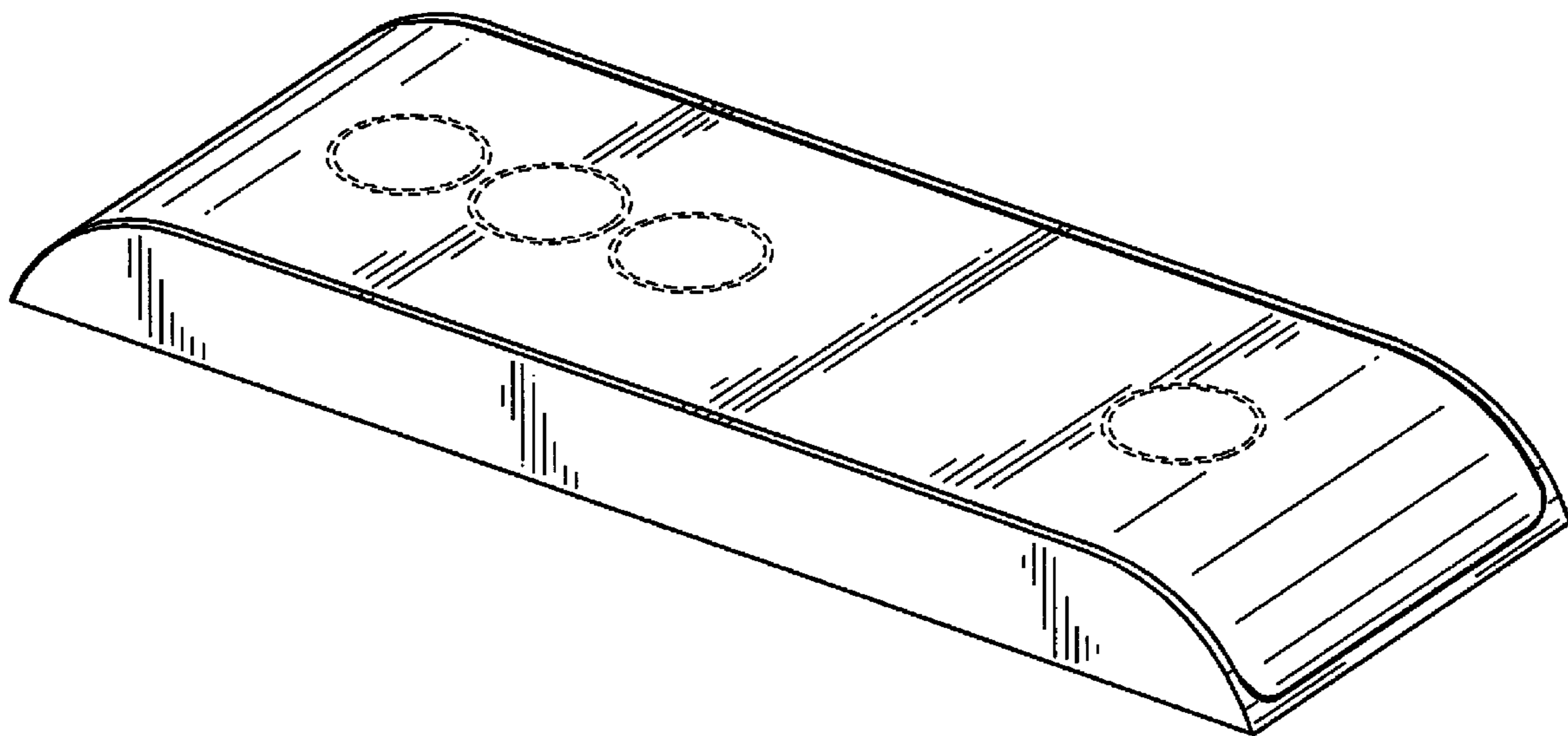
FIG. 3 is a front elevational view thereof, the rear elevational view being a mirror image of the front elevational view;

FIG. 4 is a right side elevational view thereof, the left side elevational view being a mirror image of the right side elevational view; and,

FIG. 5 is a rear plan view thereof.

The broken lines in the drawings form no part of the claimed design.

**1 Claim, 3 Drawing Sheets**



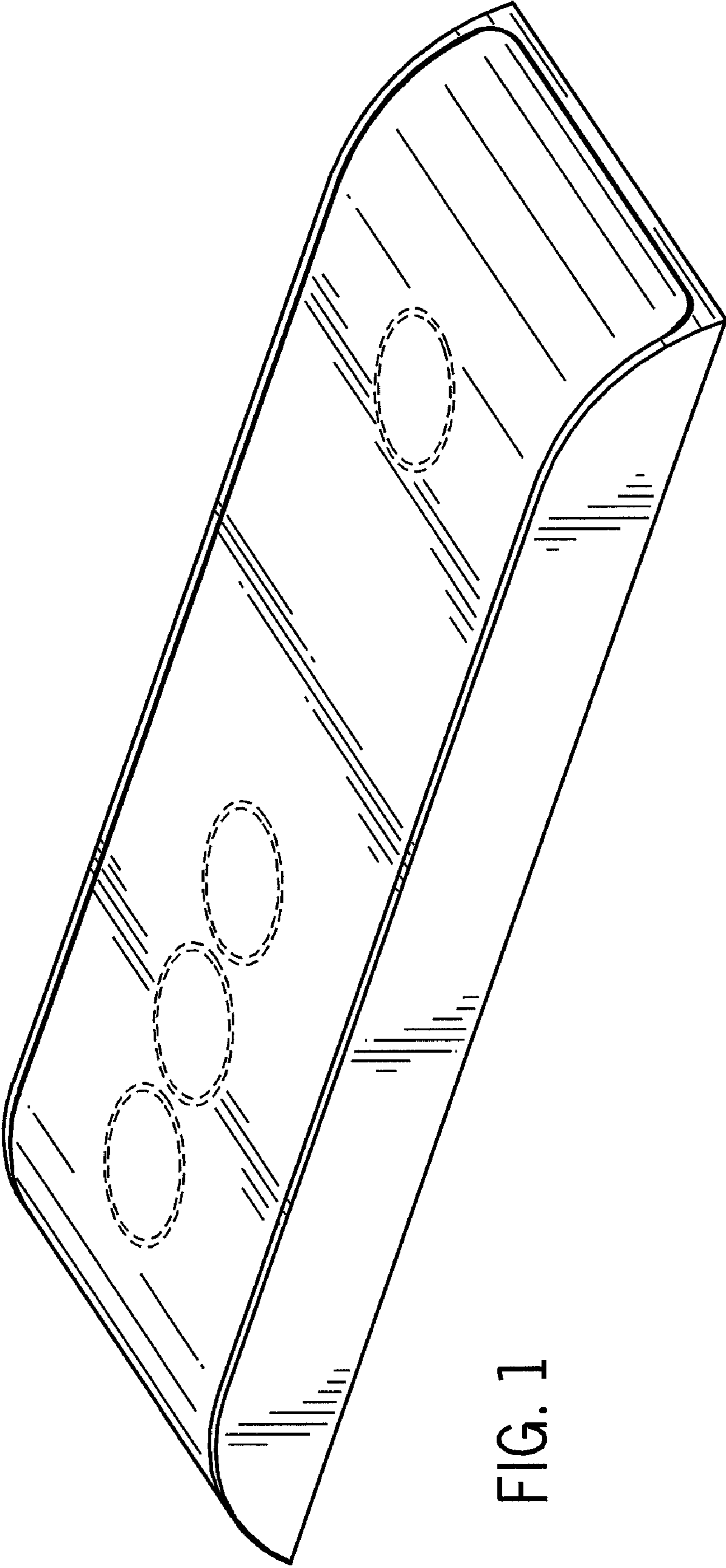


FIG. 1

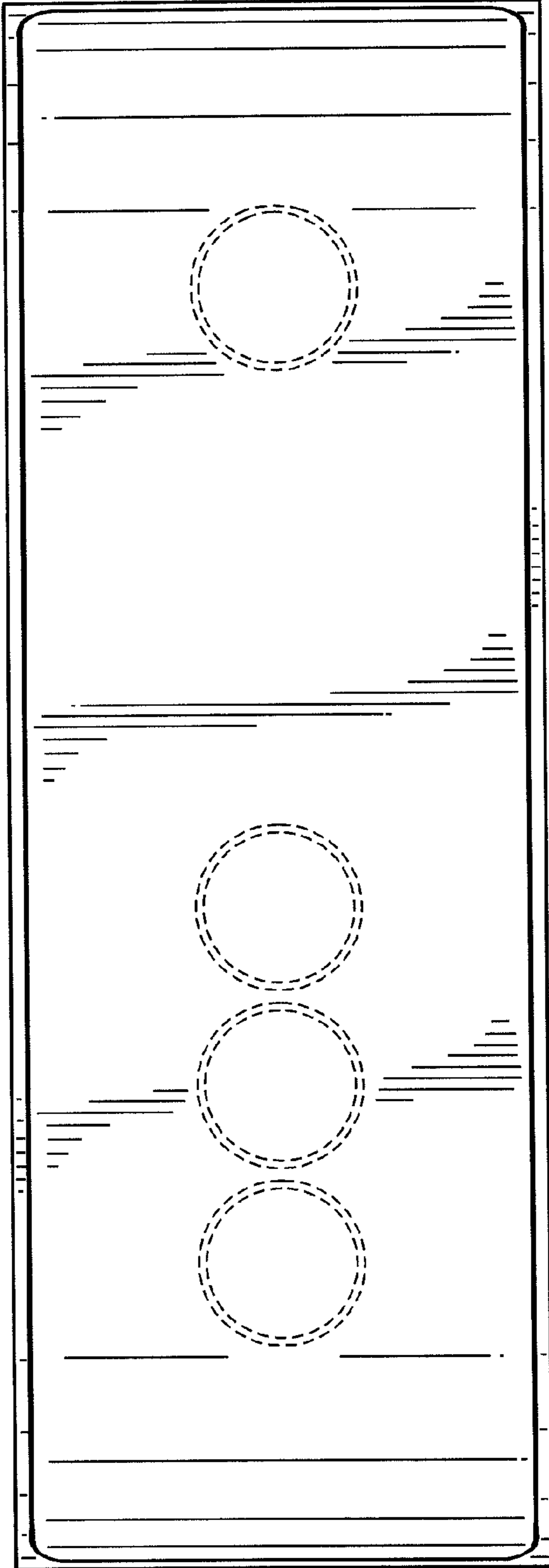


FIG. 2

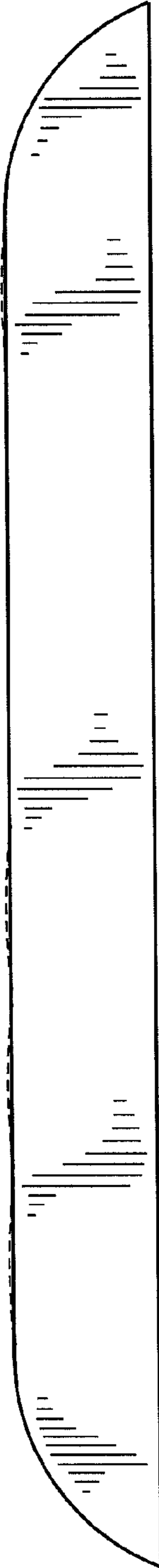


FIG. 3

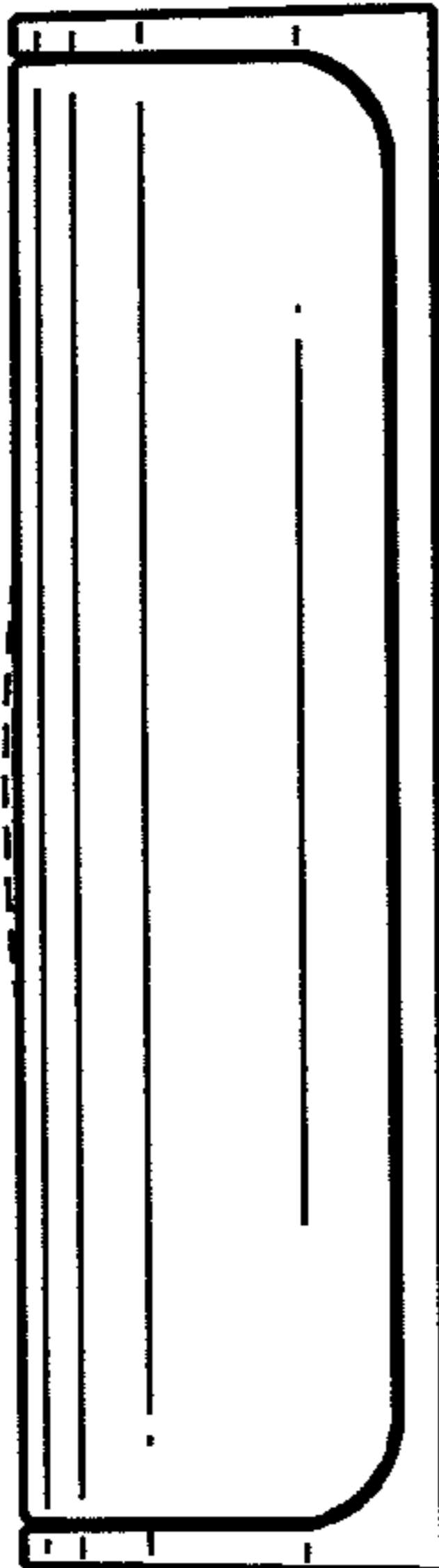


FIG. 4

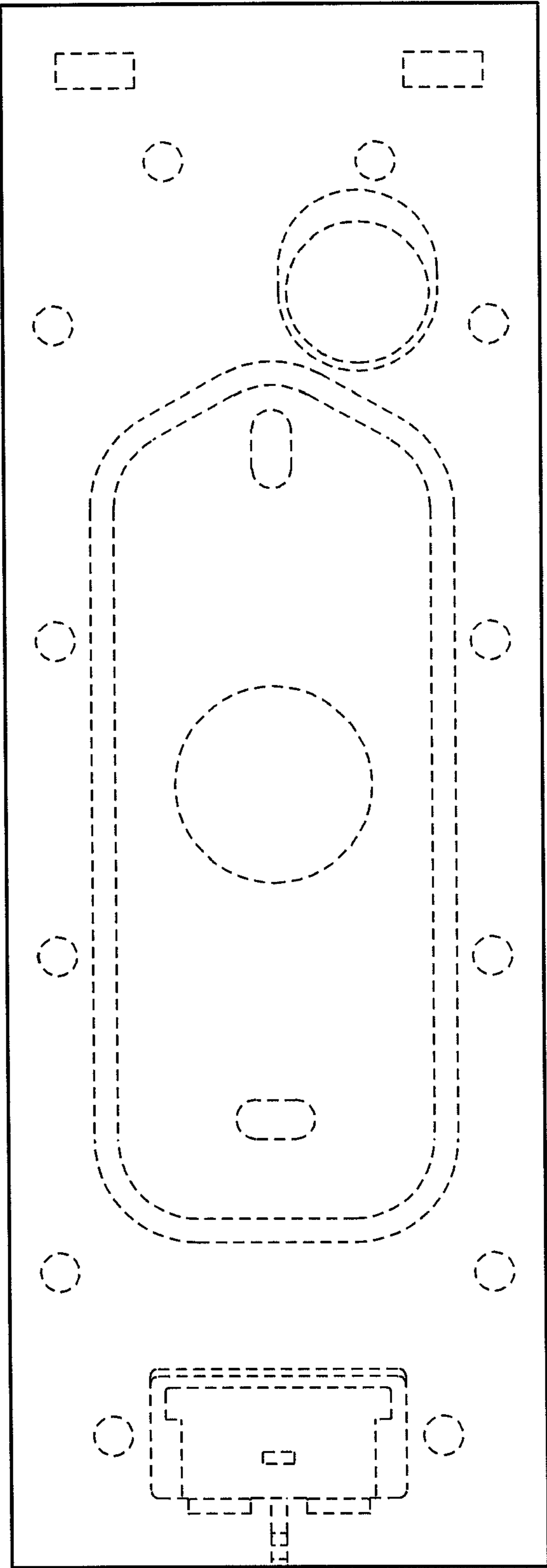


FIG. 5