



US00D629762S

(12) **United States Design Patent**  
**Naumann et al.**

(10) **Patent No.:** **US D629,762 S**  
(45) **Date of Patent:** **\*\* Dec. 28, 2010**

(54) **PROTECTIVE CASING FOR ELECTRICAL DEVICES**

(75) Inventors: **Reiner Naumann**, Mannheim (DE);  
**Markus Reinhart**, Hassmersheim (DE);  
**Frank Hieronymus**,  
Hesseneck-Schoellenbach (DE)

(73) Assignee: **Cooper Crouse-Hinds GmbH**, Soest (DE)

(\*\*) Term: **14 Years**

(21) Appl. No.: **29/342,085**

(22) Filed: **Aug. 18, 2009**

(51) **LOC (9) Cl.** ..... **13-03**

(52) **U.S. Cl.** ..... **D13/160**

(58) **Field of Classification Search** ..... D13/158,  
D13/159, 160, 161, 162, 184, 199; 200/43.14,  
200/50.01, 50.21–50.23, 51 R, 293, 400,  
200/401; 361/42, 44, 45, 50, 71, 115, 608,  
361/634

See application file for complete search history.

(56) **References Cited**

**U.S. PATENT DOCUMENTS**

- D300,315 S \* 3/1989 Thomas ..... D13/160
- 5,493,083 A \* 2/1996 Olivier ..... 200/17 R
- D406,106 S \* 2/1999 Gonser ..... D13/160
- D498,464 S \* 11/2004 Kim ..... D13/160

D580,880 S \* 11/2008 Lifran ..... D13/160  
**OTHER PUBLICATIONS**

Stahl, *Control Panels, Distribution Panels and Components, Miniature Circuit-Breaker Series 8562*, Dec. 5, 2006, pp. 1-26, Stahl Internal Catalogue.

Stahl, *Control Panels, Distribution Panels and Components, EEs d Enclosures in Light Metal or Stainless Steel Flameproof Encapsulation CUBEx Series 8564*, Mar. 11, 2006, pp. 1-8, Stahl General Catalogue.

Bartec, *Relais*, Nov. 2008, 1 page, Bartec brochure.

\* cited by examiner

*Primary Examiner*—Daniel D Bui

*Assistant Examiner*—Thomas J Johannes

(74) *Attorney, Agent, or Firm*—King & Spalding LLP

(57) **CLAIM**

The ornamental design for protective casing for electrical devices, as shown and described.

**DESCRIPTION**

FIG. 1 is a perspective view of a protective casing for electrical devices showing our new design;

FIG. 2 is a right side view thereof;

FIG. 3 is a left side view thereof;

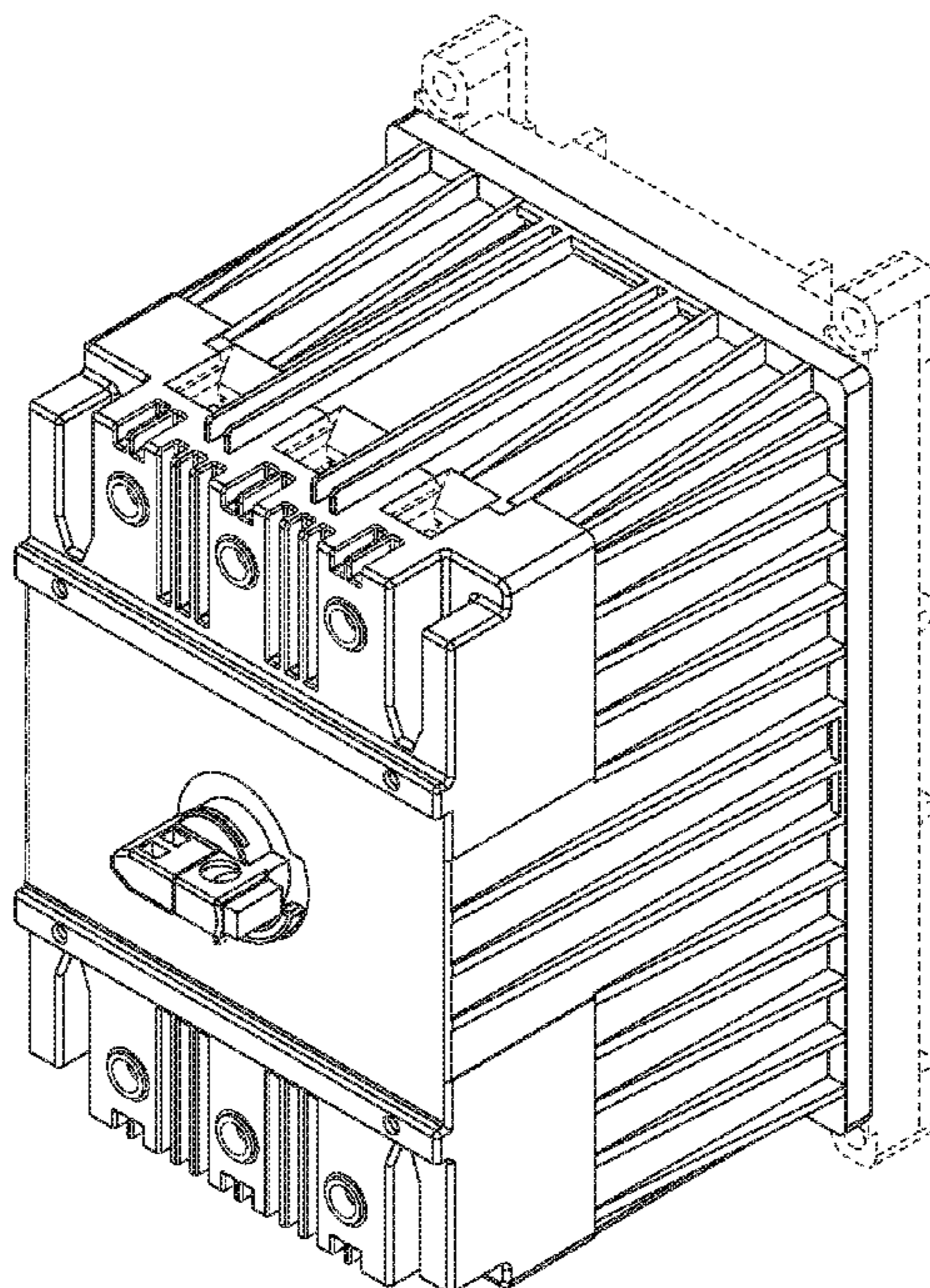
FIG. 4 is a front view thereof;

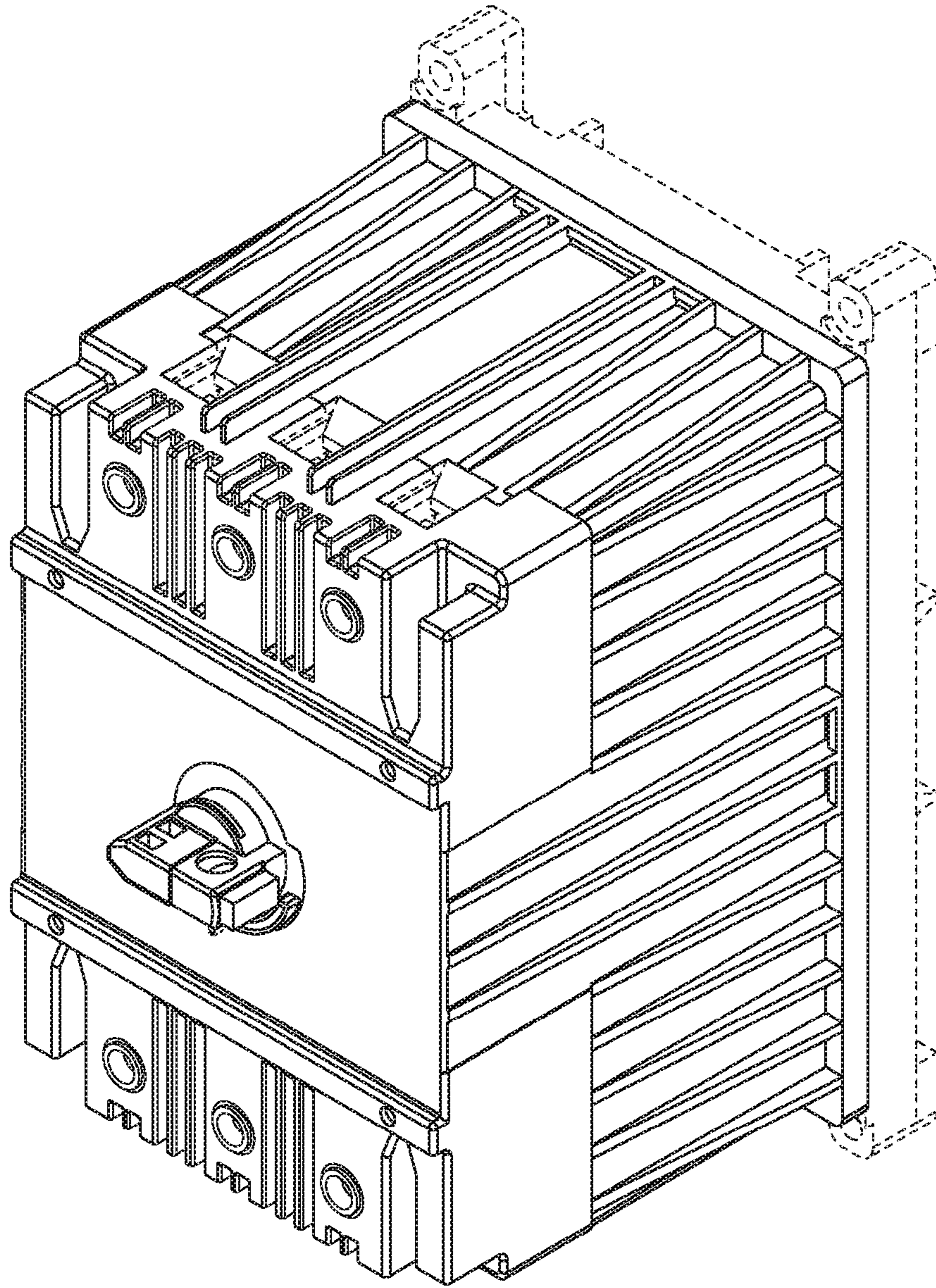
FIG. 5 is a rear view thereof; and,

FIG. 6 is a top view thereof.

The broken line portion of the figure drawings is included to show unclaimed subject matter only and forms no part of the claimed design.

**1 Claim, 4 Drawing Sheets**





**FIG. 1**

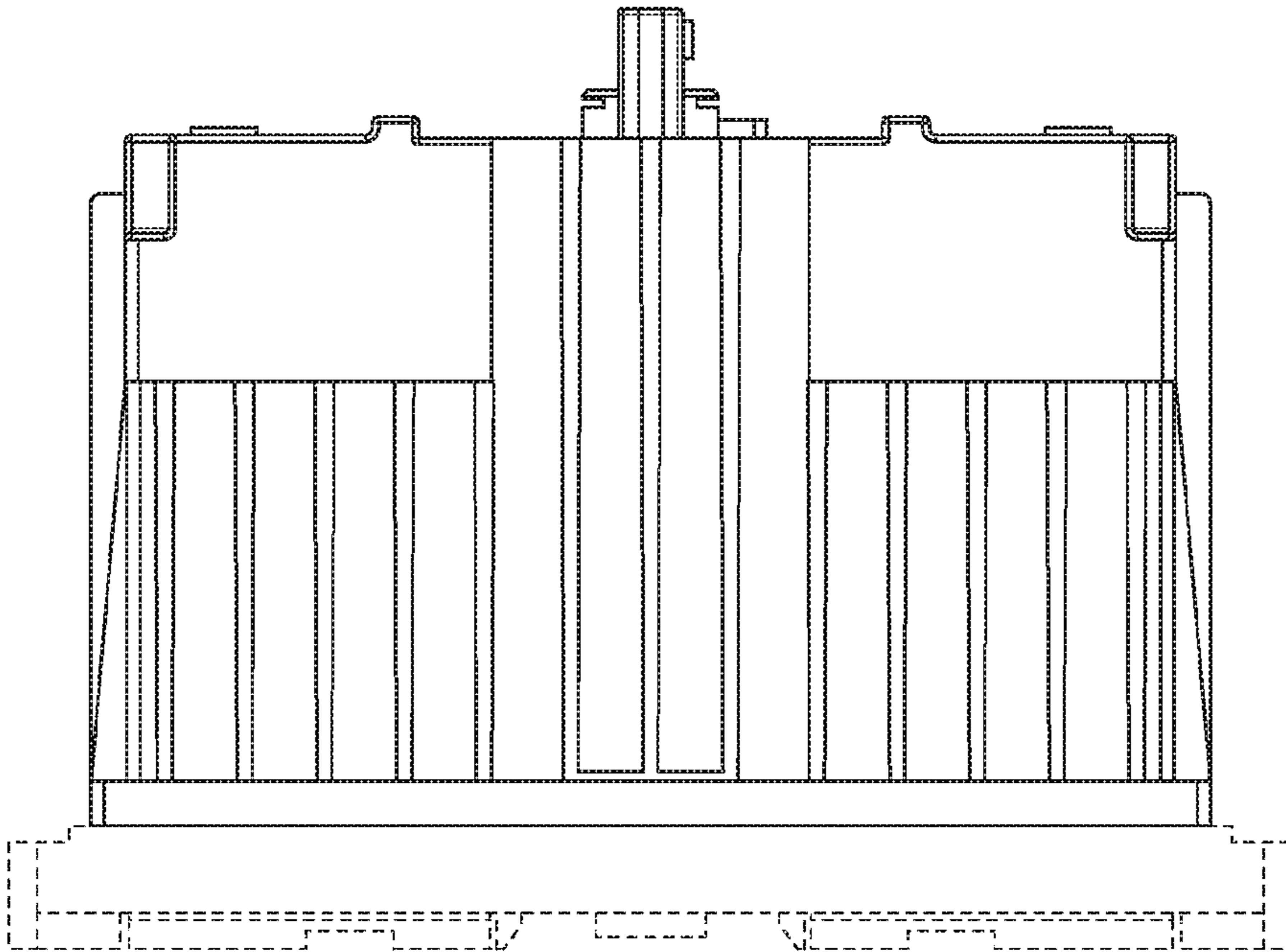


FIG. 3

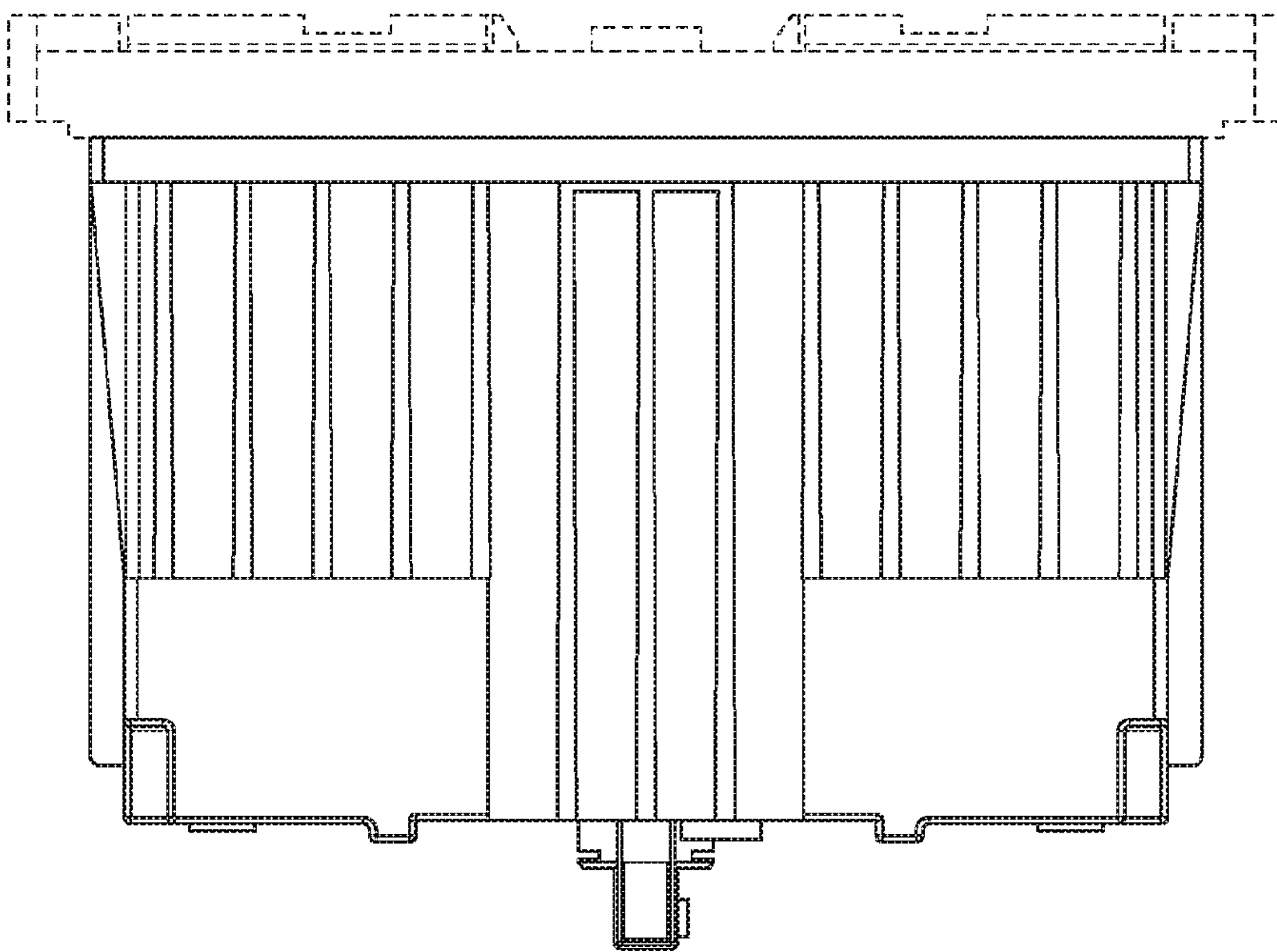
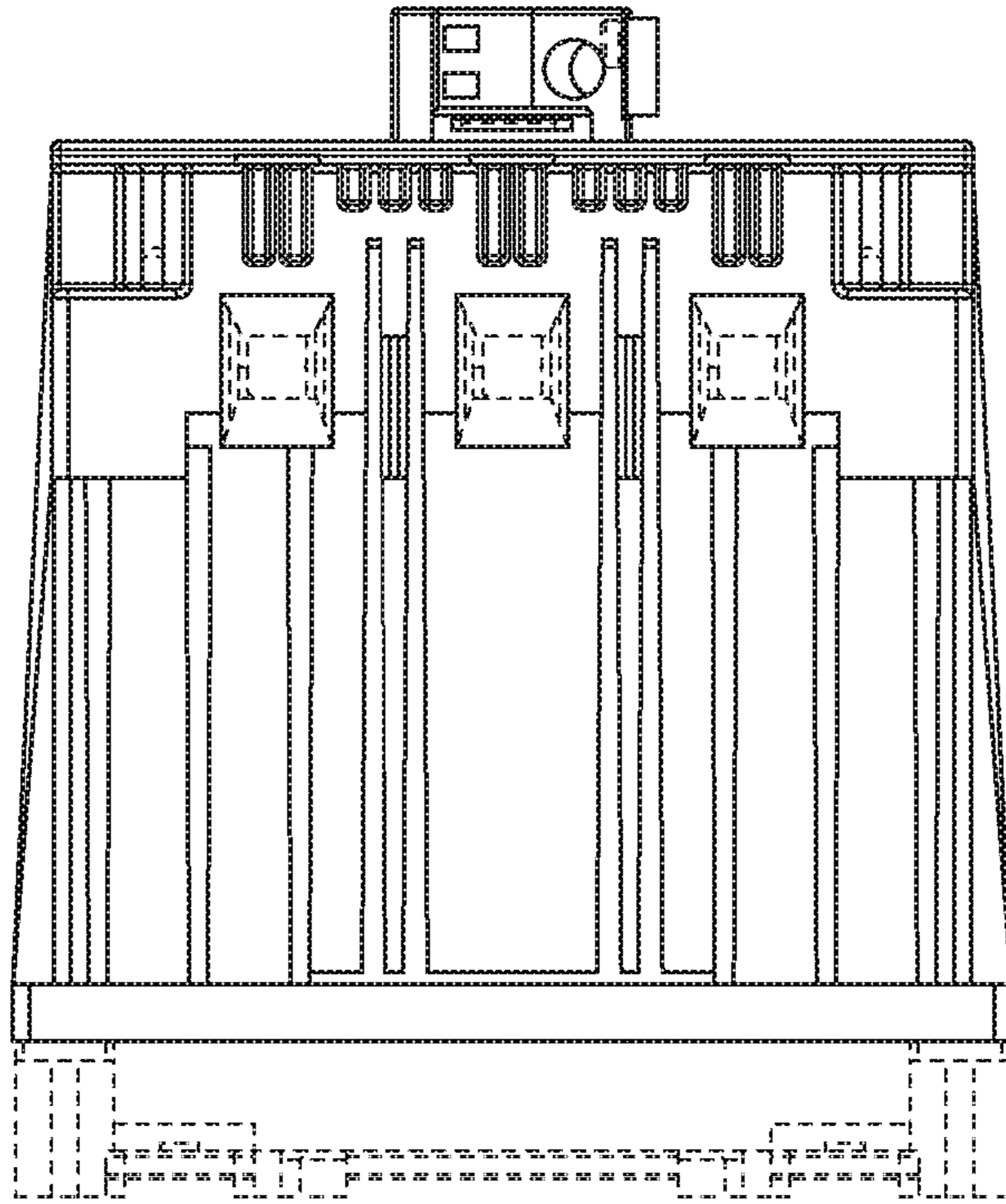
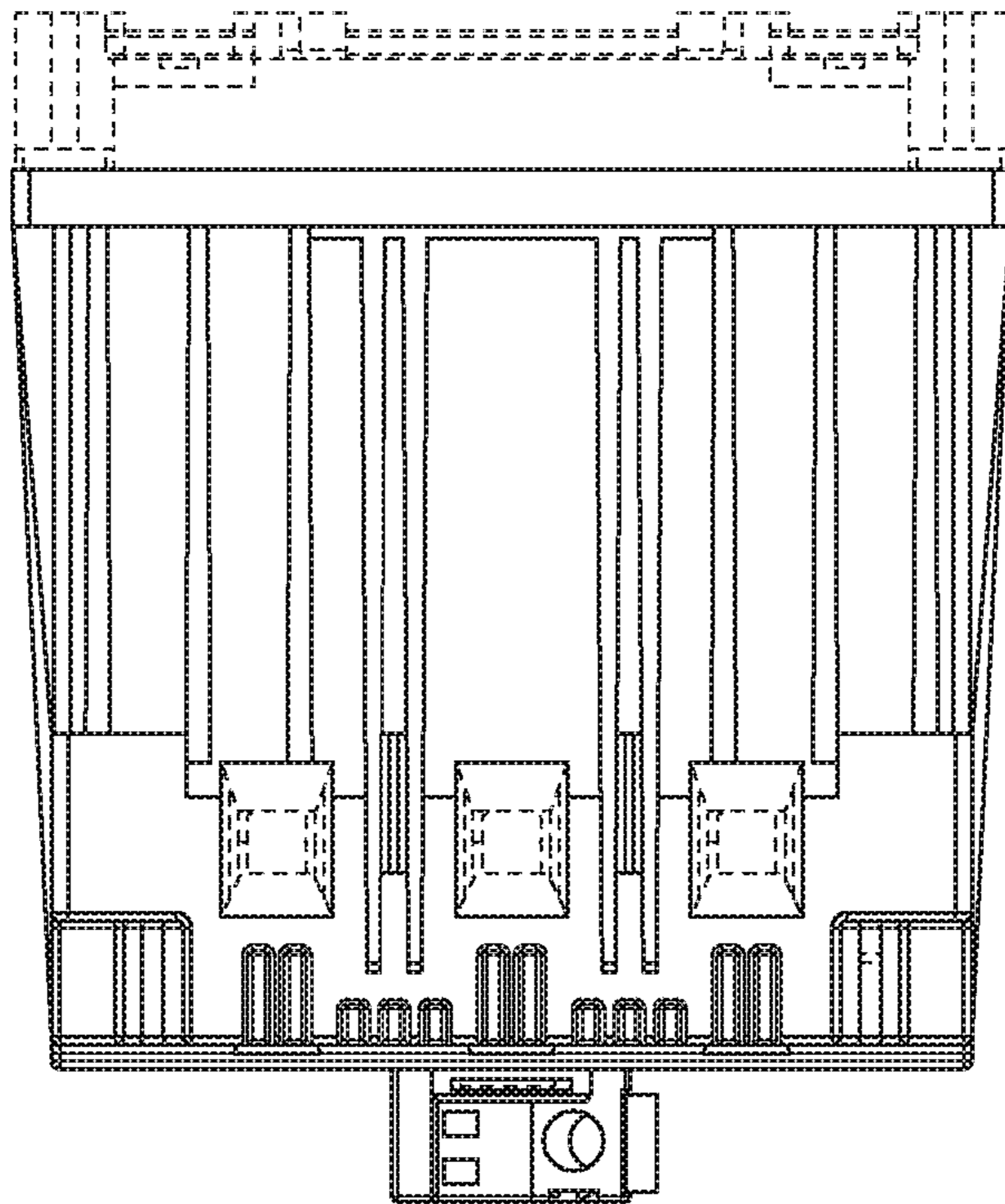


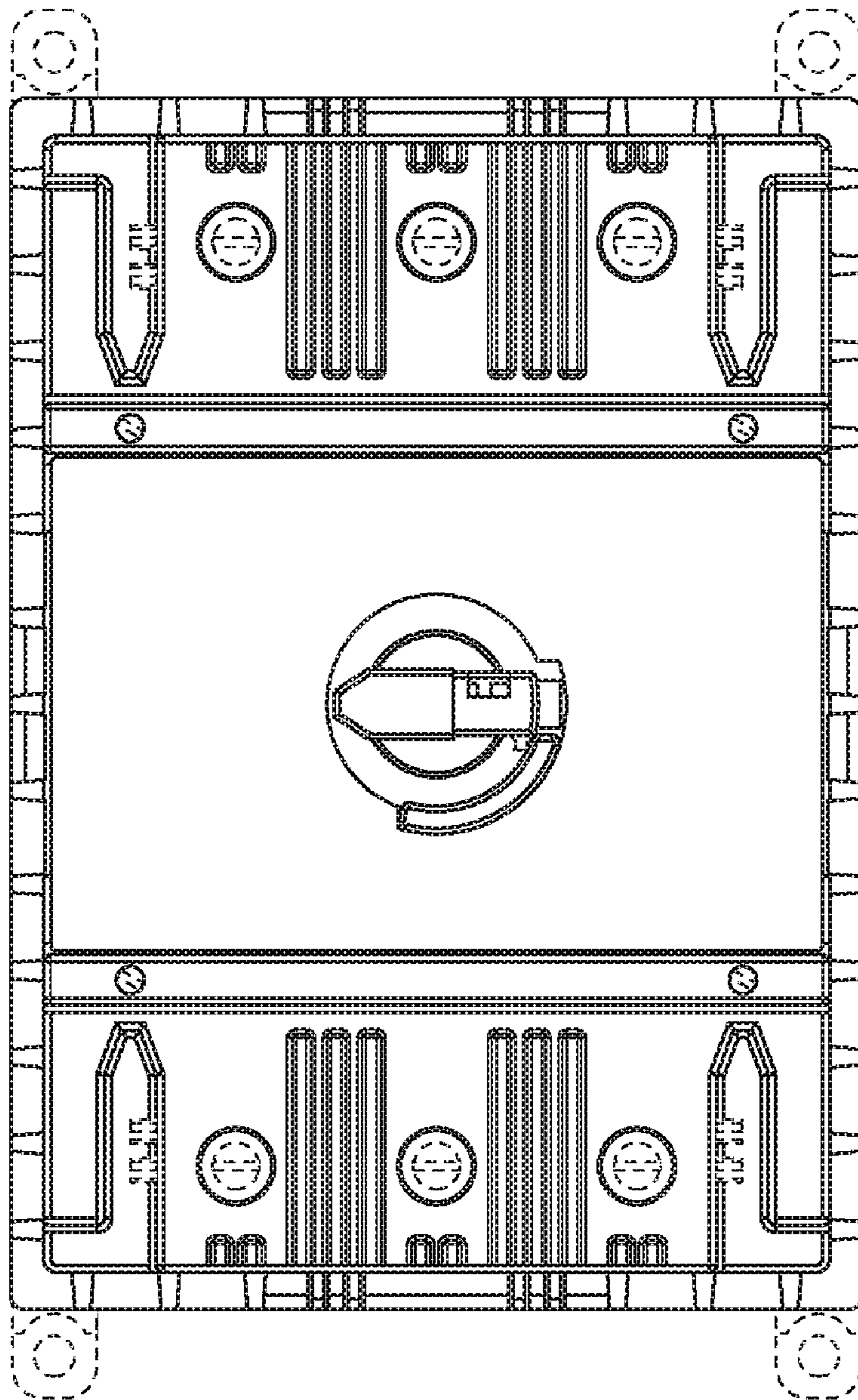
FIG. 2



**FIG. 4**



**FIG. 5**



**FIG. 6**