

US00D629759S

(12) **United States Design Patent**
Hara

(10) **Patent No.:** **US D629,759 S**
(45) **Date of Patent:** **** Dec. 28, 2010**

(54) **ELECTRICAL CONNECTOR**

(75) Inventor: **Hiroaki Hara**, Tokyo (JP)

(73) Assignee: **I-Pex Co., Ltd.** (JP)

(**) Term: **14 Years**

(21) Appl. No.: **29/362,971**

(22) Filed: **Jun. 2, 2010**

(30) **Foreign Application Priority Data**

Dec. 10, 2009 (JP) 2009-028759

Dec. 10, 2009 (JP) 2009-028760

Mar. 30, 2010 (JP) 2010-007786

(51) **LOC (9) Cl.** **13-03**

(52) **U.S. Cl.** **D13/147**

(58) **Field of Classification Search** D13/133,
D13/147, 154, 184; 439/260, 329, 395, 422,
439/492-499

See application file for complete search history.

(56) **References Cited**

U.S. PATENT DOCUMENTS

D444,130 S * 6/2001 Hayashi et al. D13/147

D533,138 S * 12/2006 Yoshikai D13/147

D590,777 S * 4/2009 Tanaka D13/147

D609,648 S * 2/2010 Kai et al. D13/147

D609,649 S * 2/2010 Kai et al. D13/147

FOREIGN PATENT DOCUMENTS

JP D1156339 10/2002

JP D1201844 4/2004

JP D1267584 4/2006

JP D1316780 12/2007

JP D1383814 3/2010

* cited by examiner

Primary Examiner—Daniel D Bui

(74) *Attorney, Agent, or Firm*—Studebaker & Brackett PC;
Donald R. Studebaker

(57) **CLAIM**

The ornamental design for an electrical connector, as shown and described.

DESCRIPTION

FIG. 1 is a front, top and left side perspective view of a first embodiment of an electrical connector showing my new design;

FIG. 2 is a rear, top and left side perspective view thereof;

FIG. 3 is a front, top and left side perspective view thereof, in use condition;

FIG. 4 is a top plan view thereof;

FIG. 5 is a front view thereof;

FIG. 6 is a bottom plan view thereof;

FIG. 7 is a rear view thereof;

FIG. 8 is a right side view thereof, the left side view is a mirror image thereto;

FIG. 9 is a front, top and left side perspective view of a second embodiment of the electrical connector showing my new design;

FIG. 10 is a rear, top and left side perspective view thereof;

FIG. 11 is a front, top and left side perspective view thereof, in use condition;

FIG. 12 is a top plan view thereof;

FIG. 13 is a front view thereof;

FIG. 14 is a bottom plan view thereof;

FIG. 15 is a rear view thereof;

FIG. 16 is a right side view thereof, the left side view is a mirror image thereof;

FIG. 17 is a front, top and left side perspective view of a third embodiment of the electrical connector showing my new design;

FIG. 18 is a rear, top and left side perspective view thereof;

FIG. 19 is a front, top and left side perspective view thereof, in use condition

FIG. 20 is a top plan view thereof;

FIG. 21 is a front view thereof;

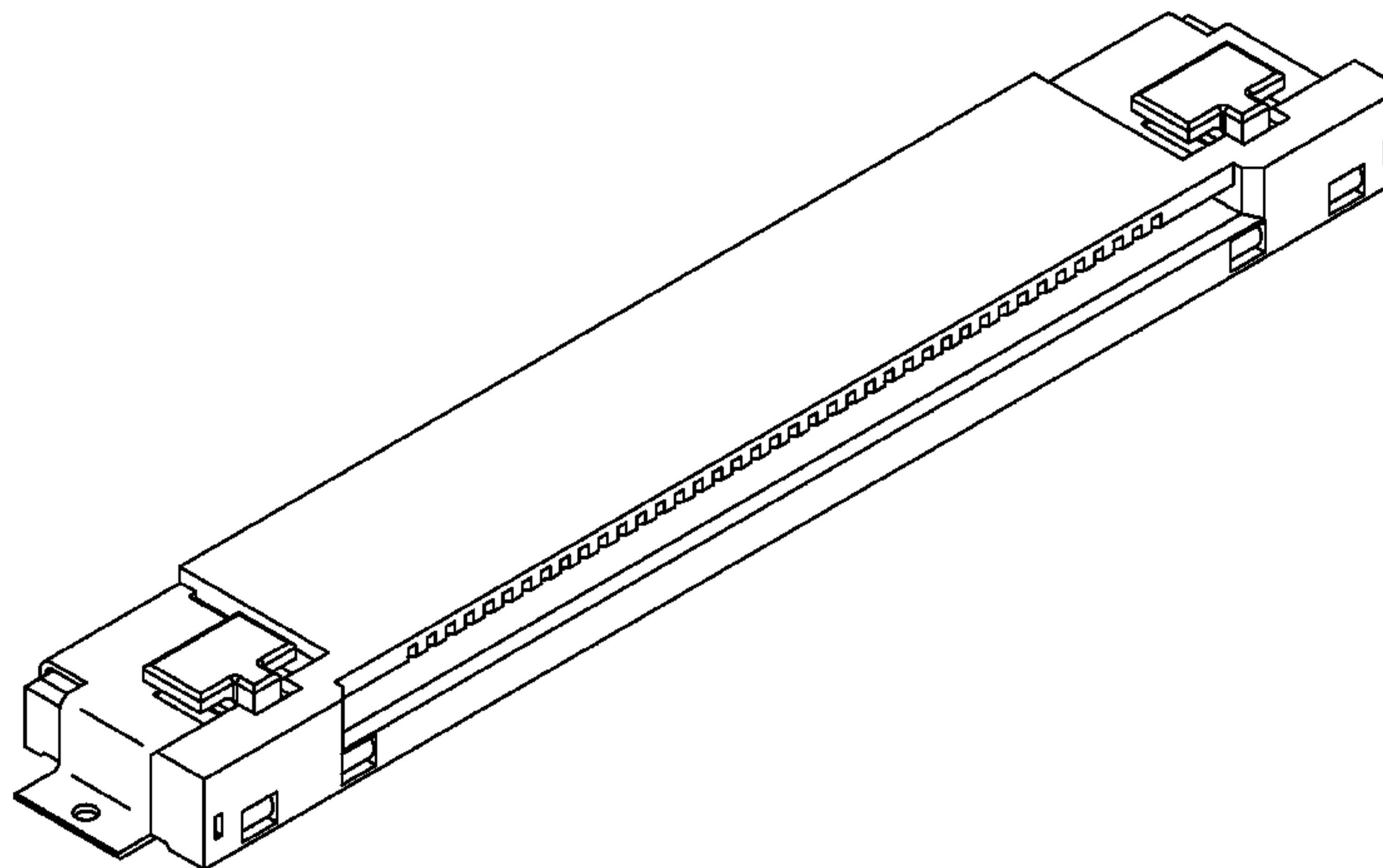
FIG. 22 is a bottom plan view thereof;

FIG. 23 is a rear view thereof; and,

FIG. 24 is a right side view thereof, the left side view is a mirror image thereto.

The broken line shown in the drawing views is included for the purpose of illustrating environmental structure and forms no part of the claimed design.

1 Claim, 18 Drawing Sheets



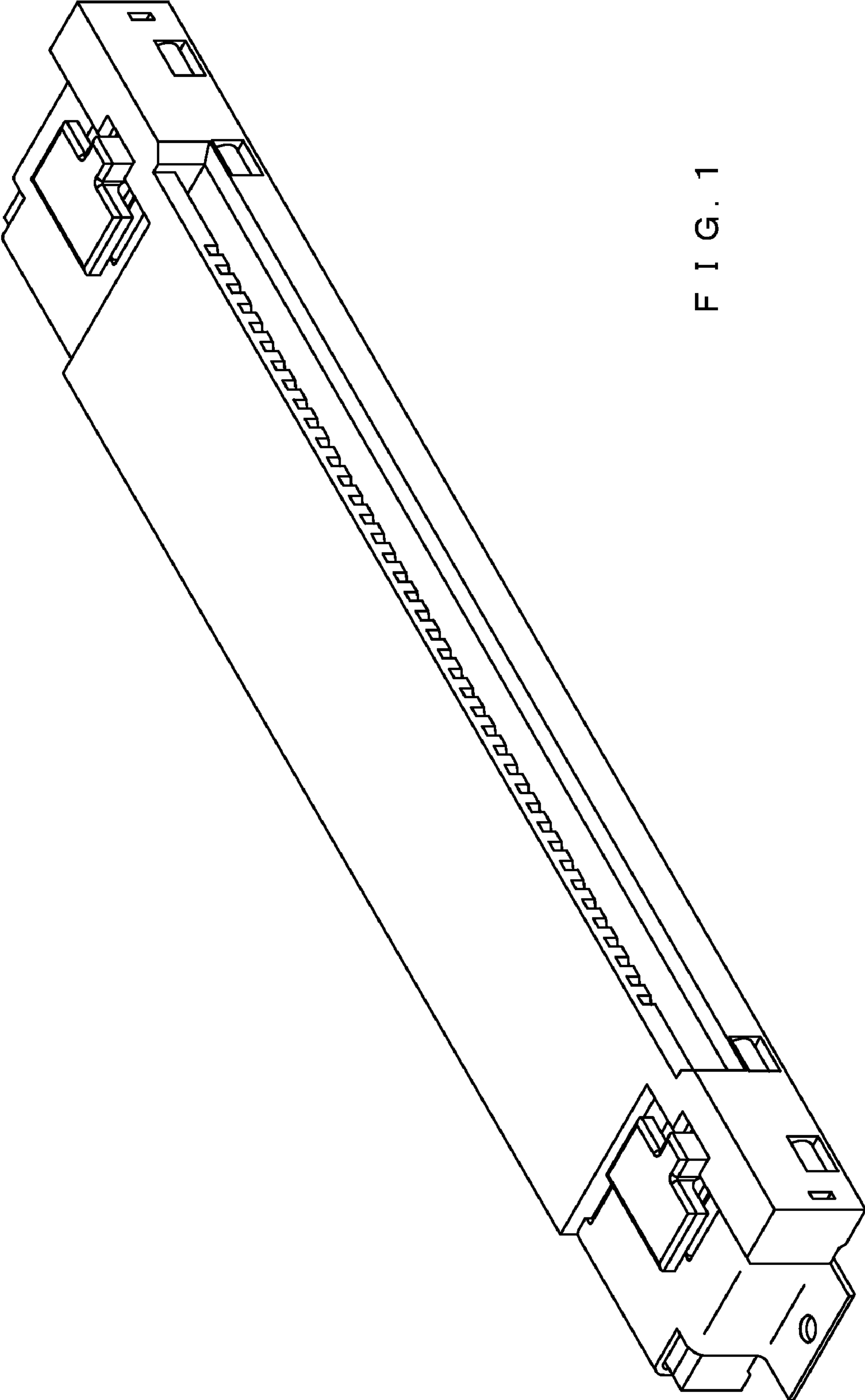


FIG. 1

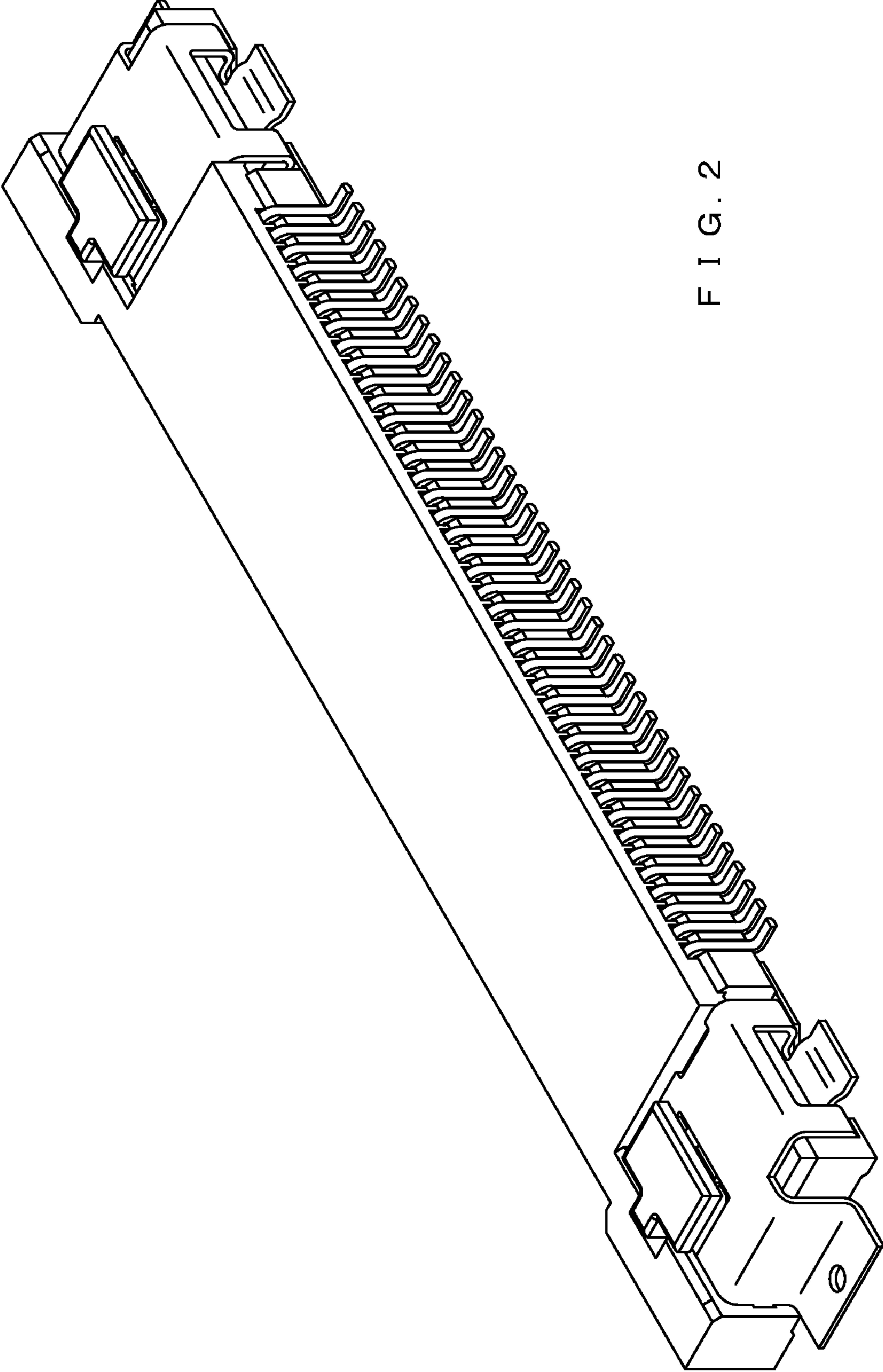


FIG. 2

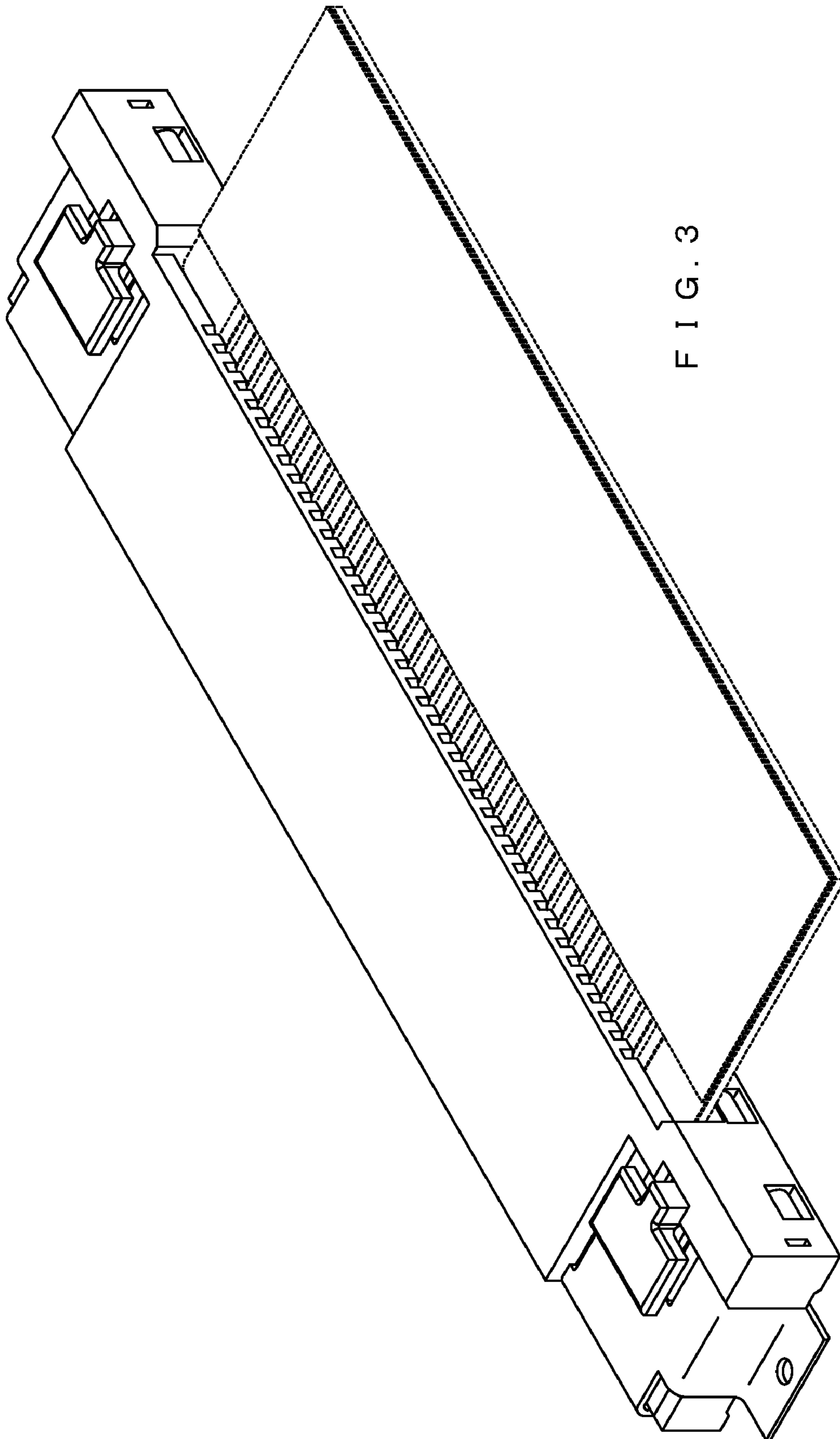


FIG. 3

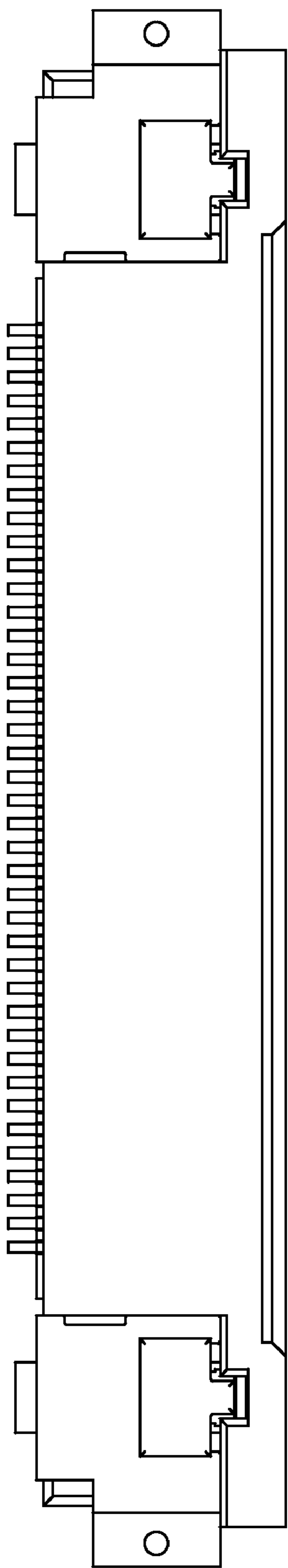


FIG. 4

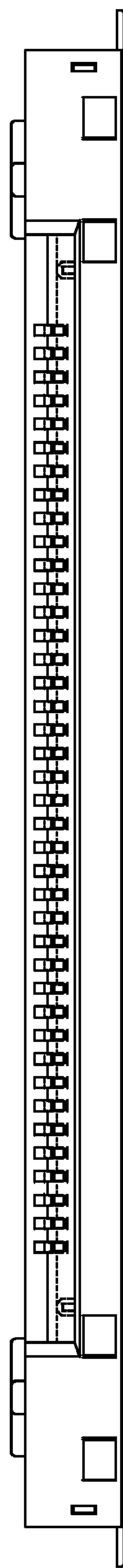


FIG. 5

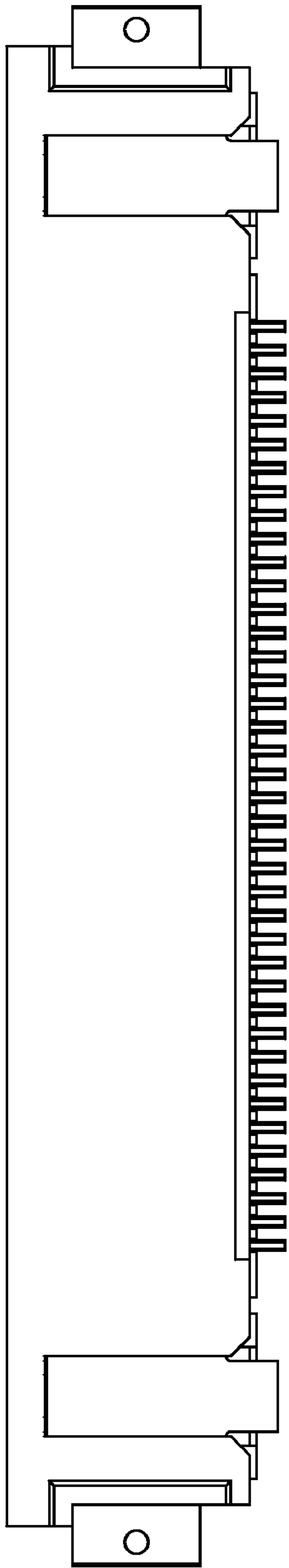


FIG. 6

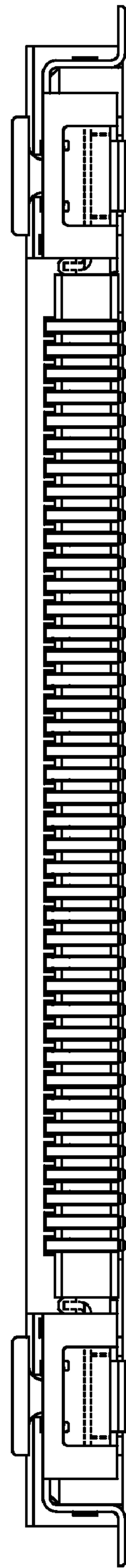


FIG. 7

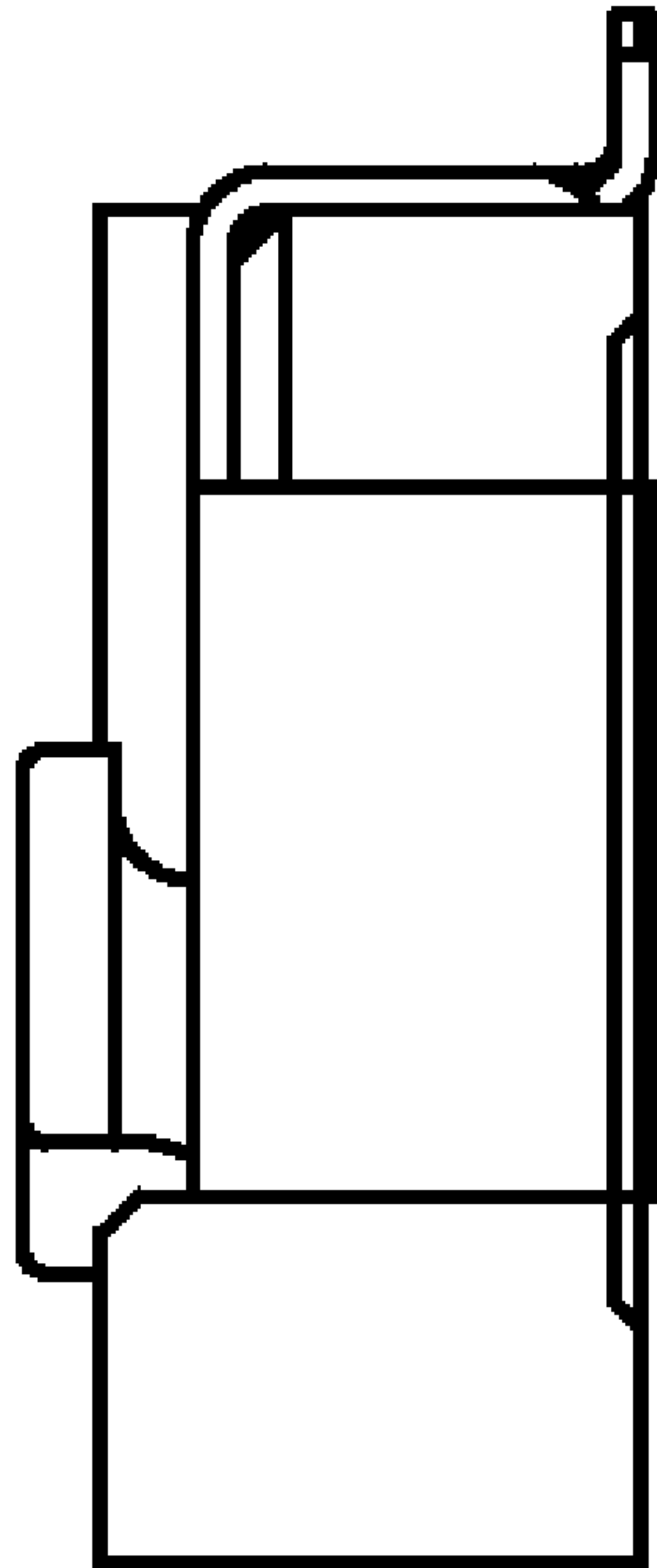


FIG. 8

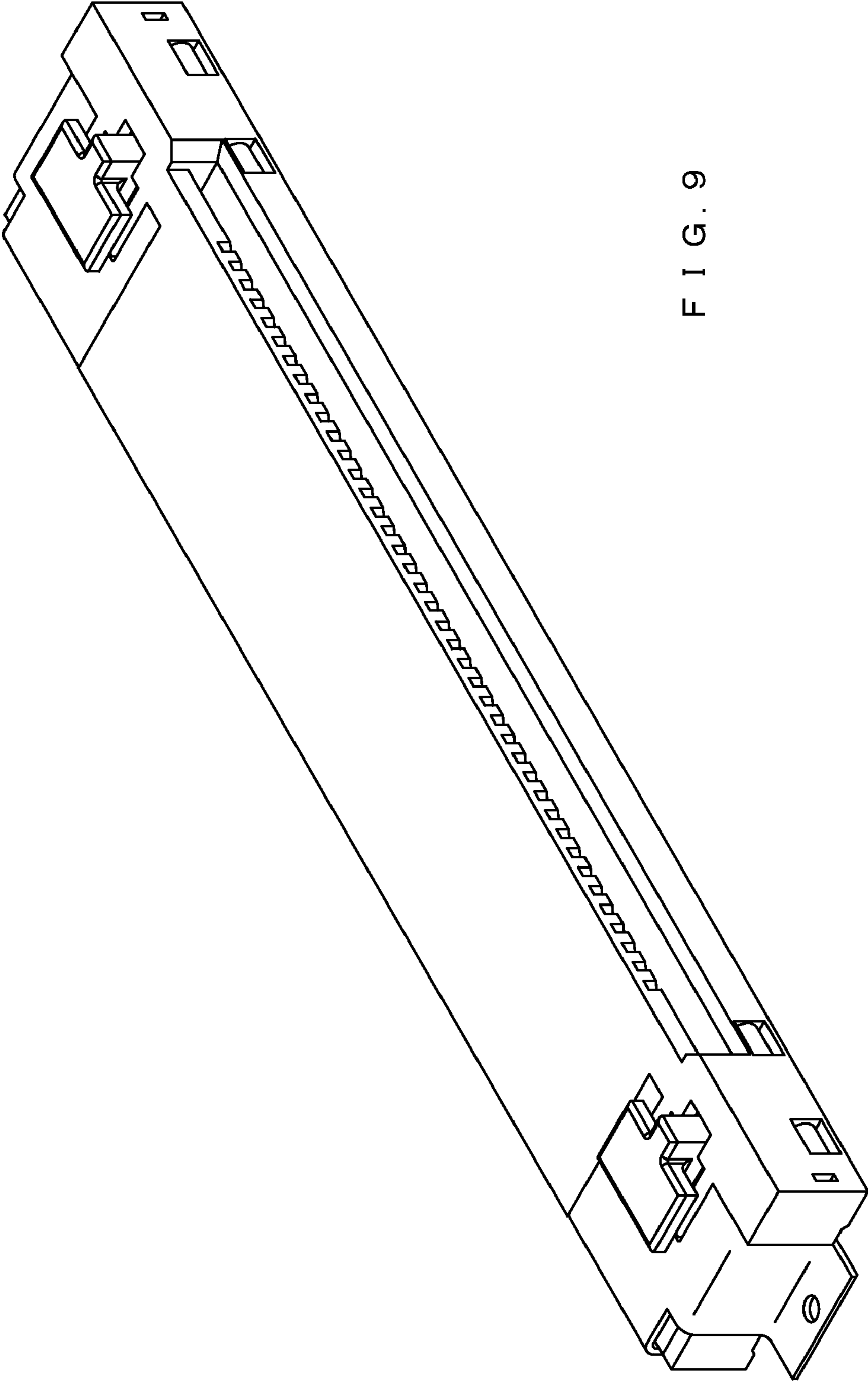


FIG. 9

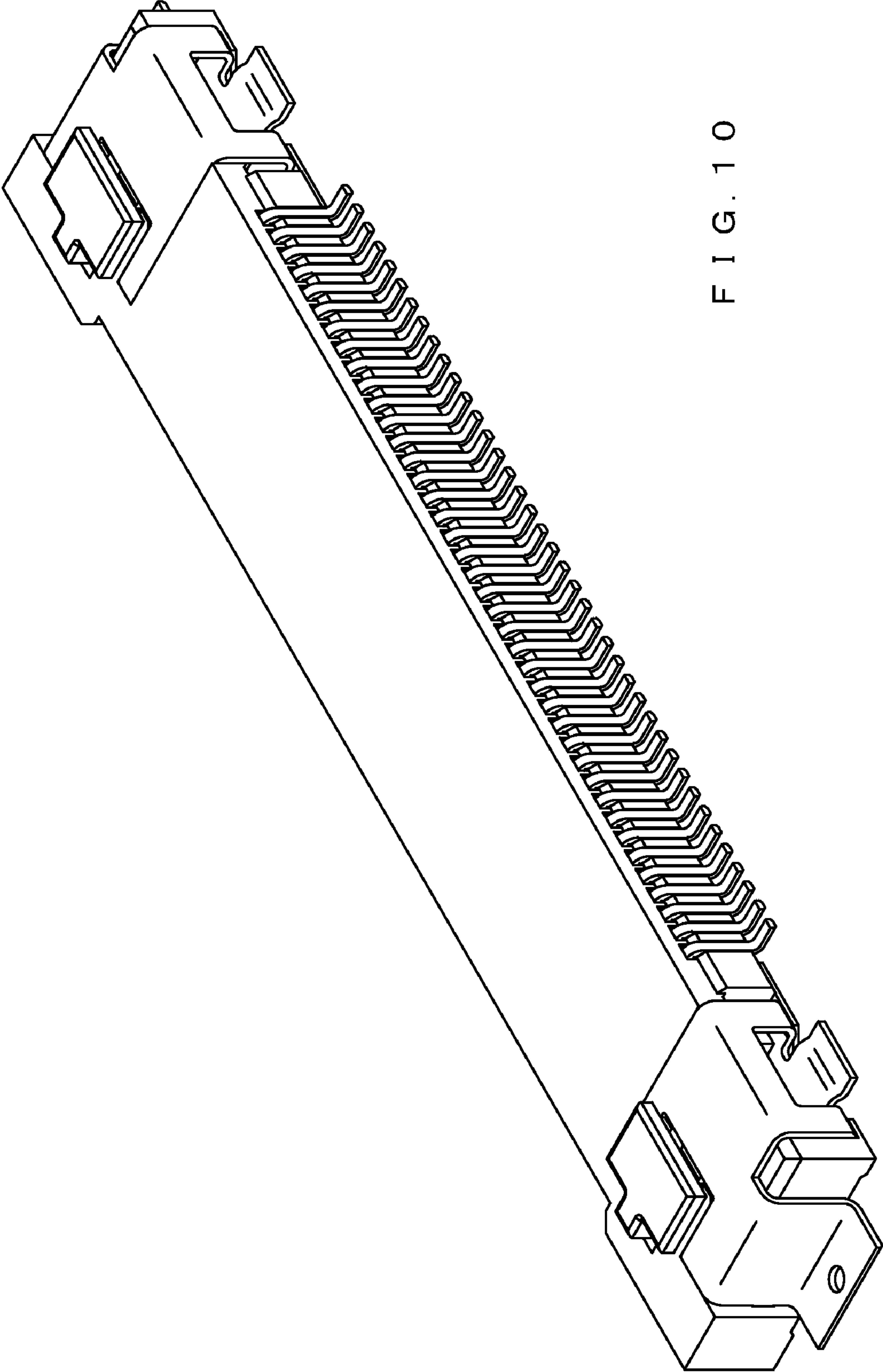
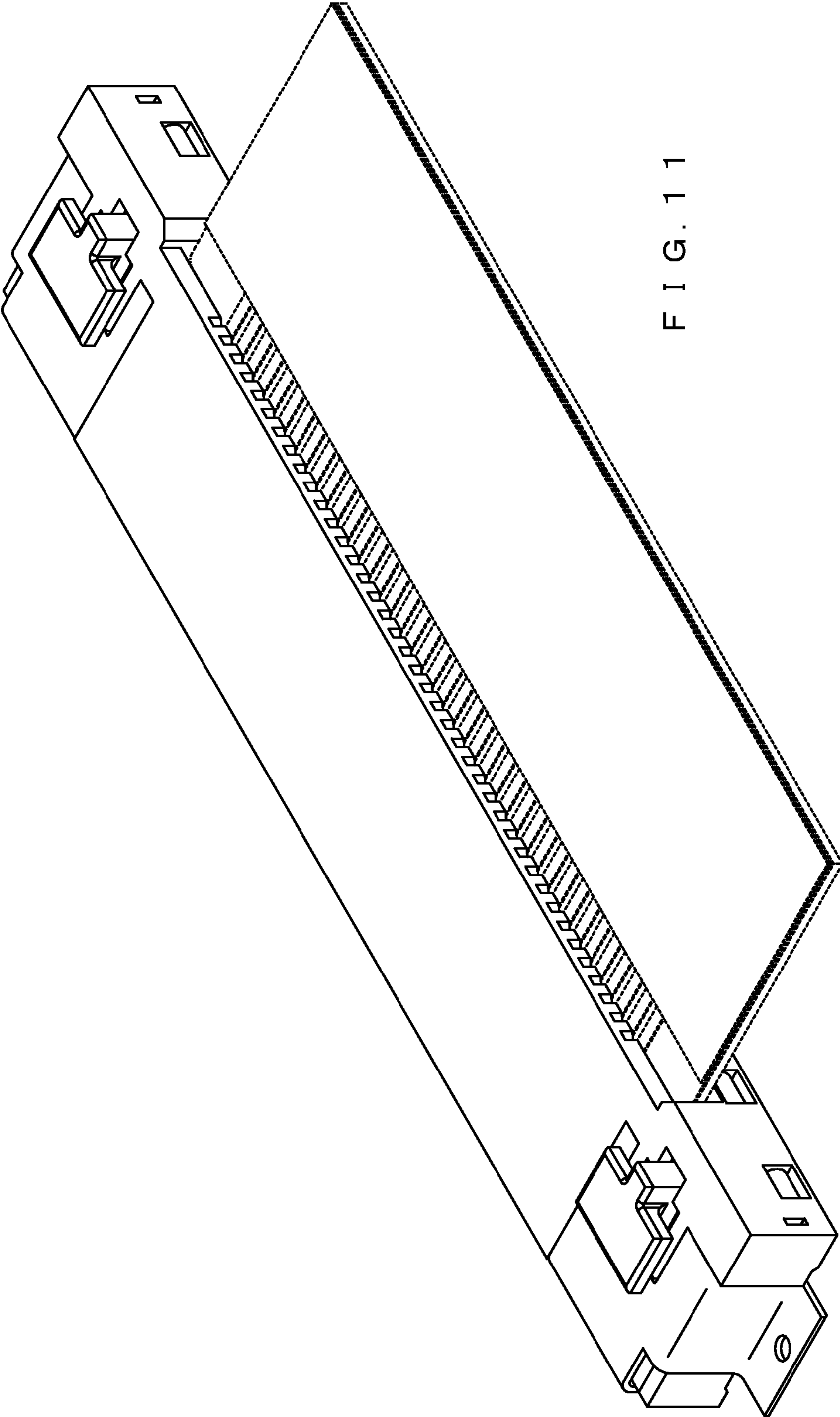


FIG. 10



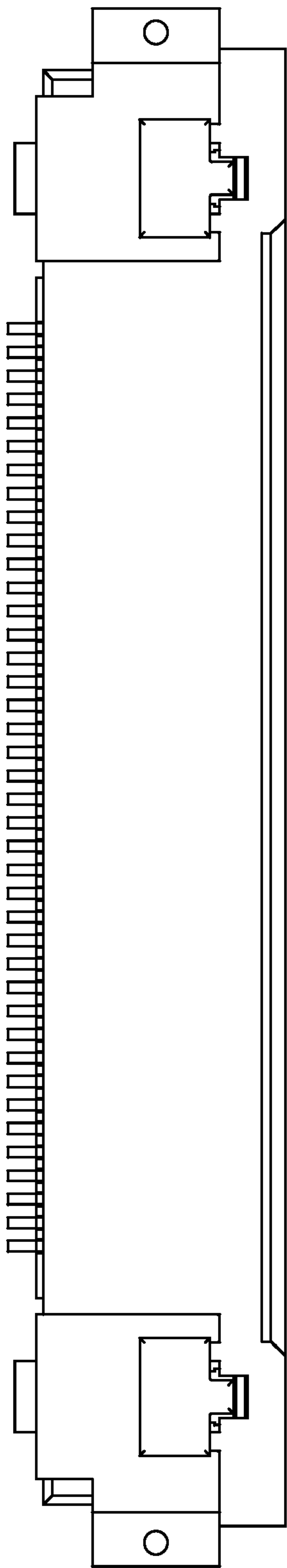


FIG. 12

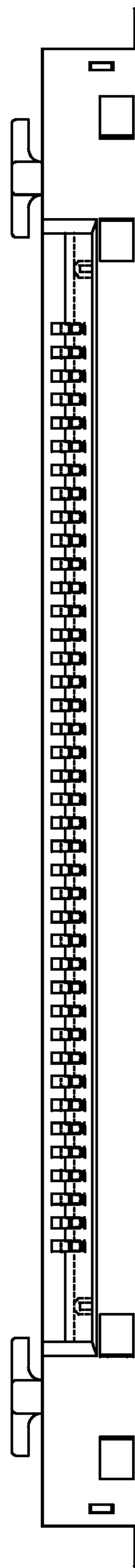


FIG. 13

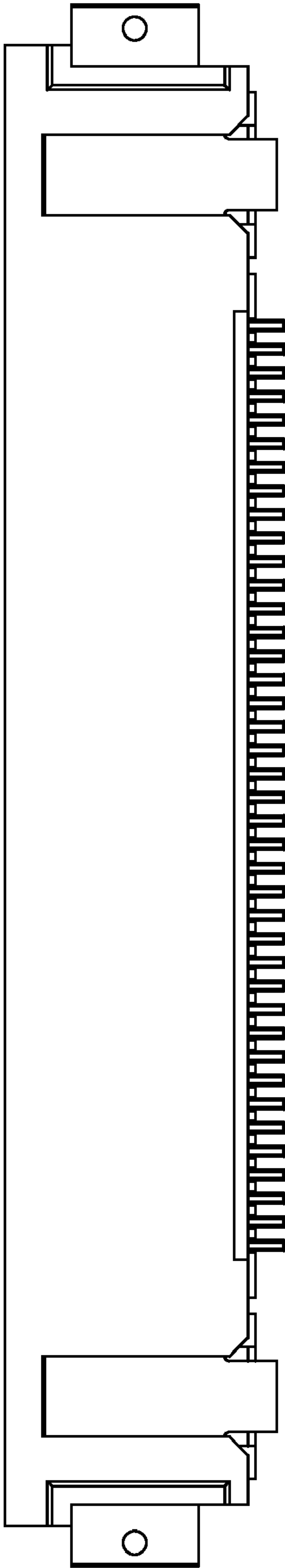


FIG. 14

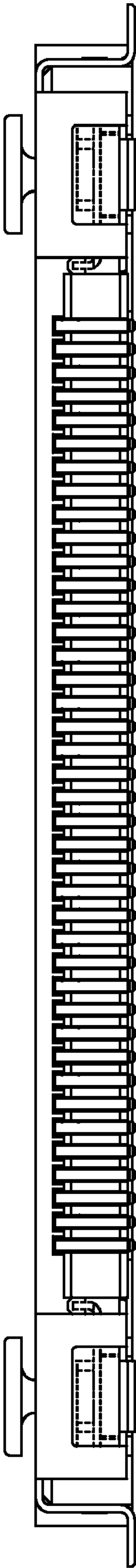


FIG. 15

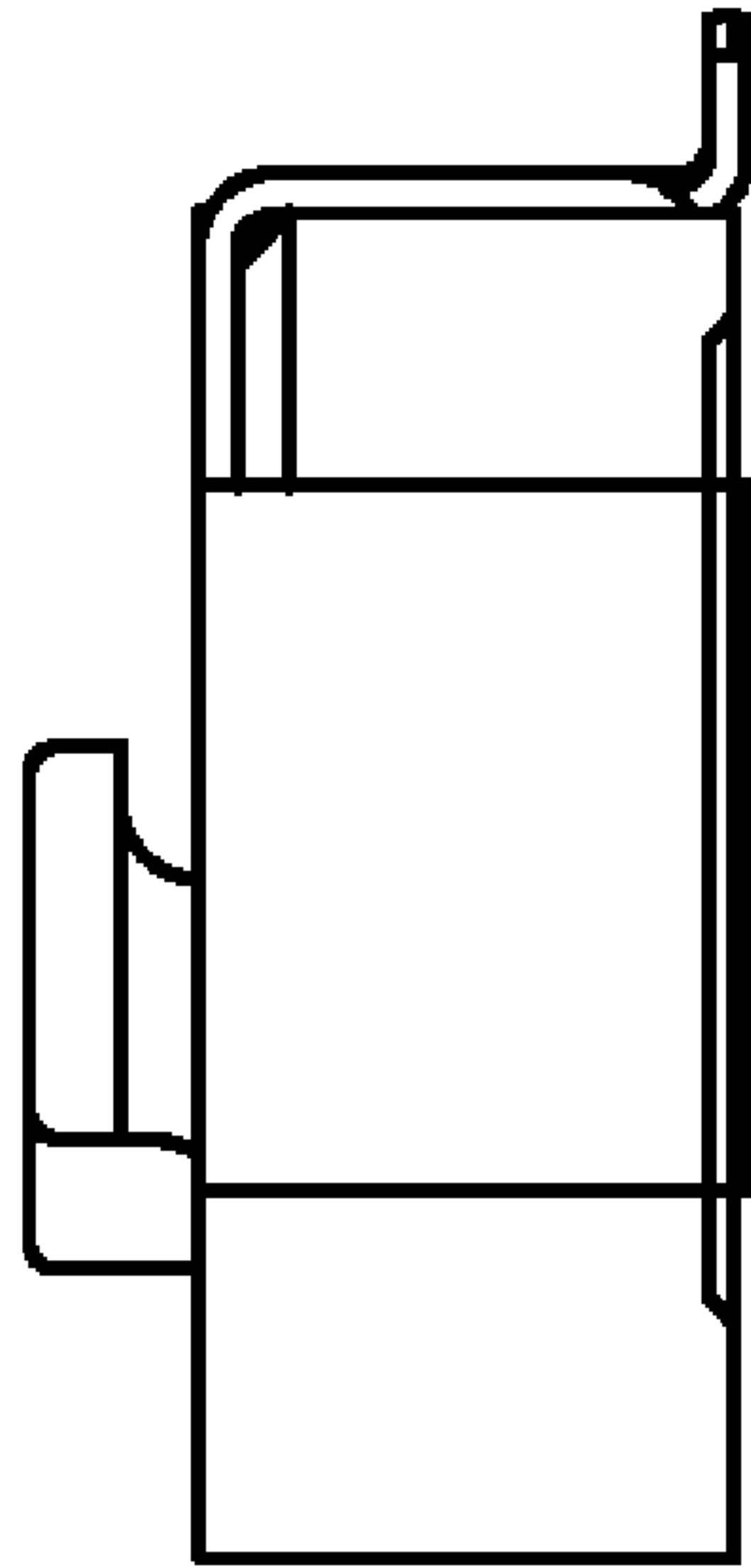


FIG. 16

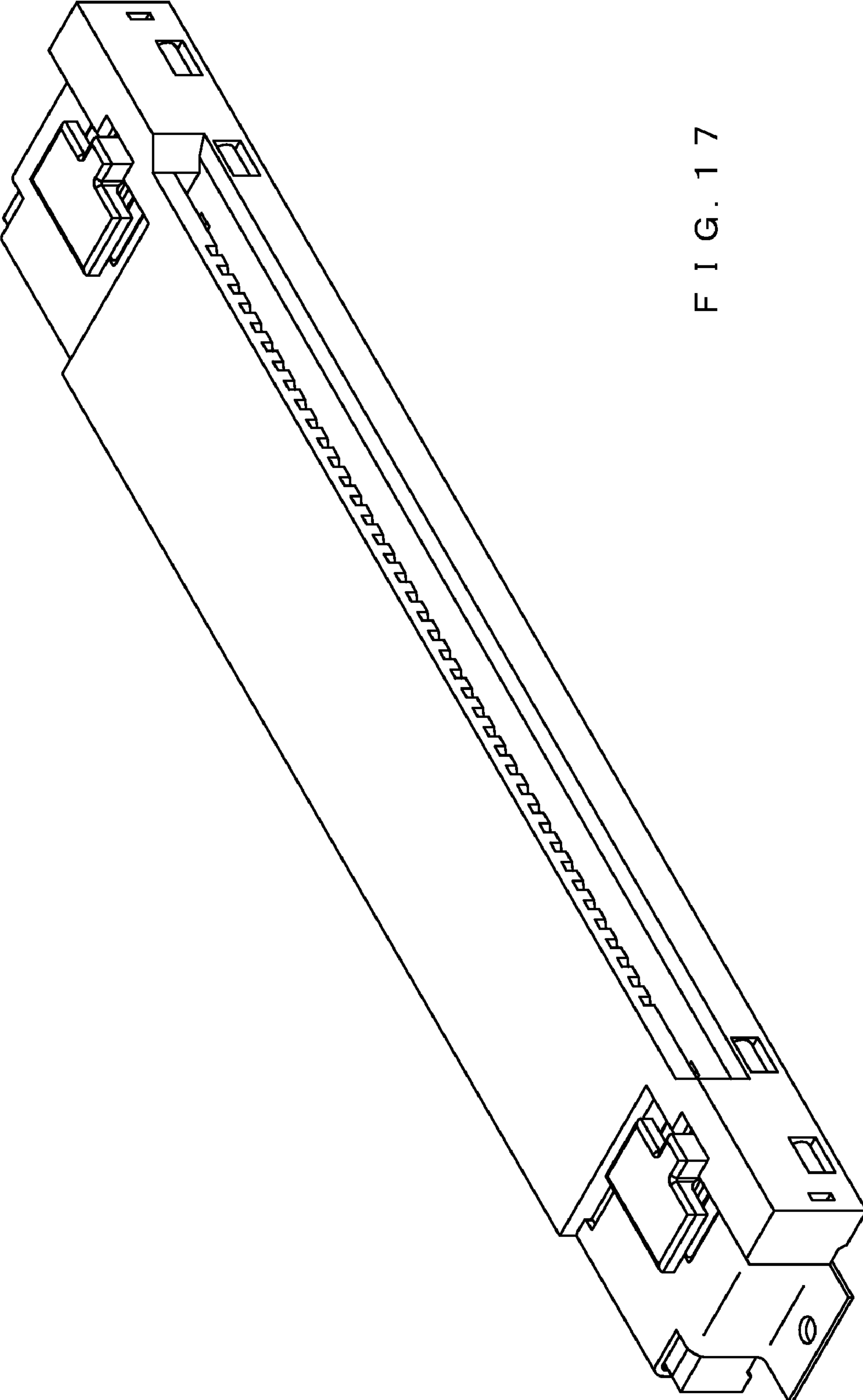


FIG. 17

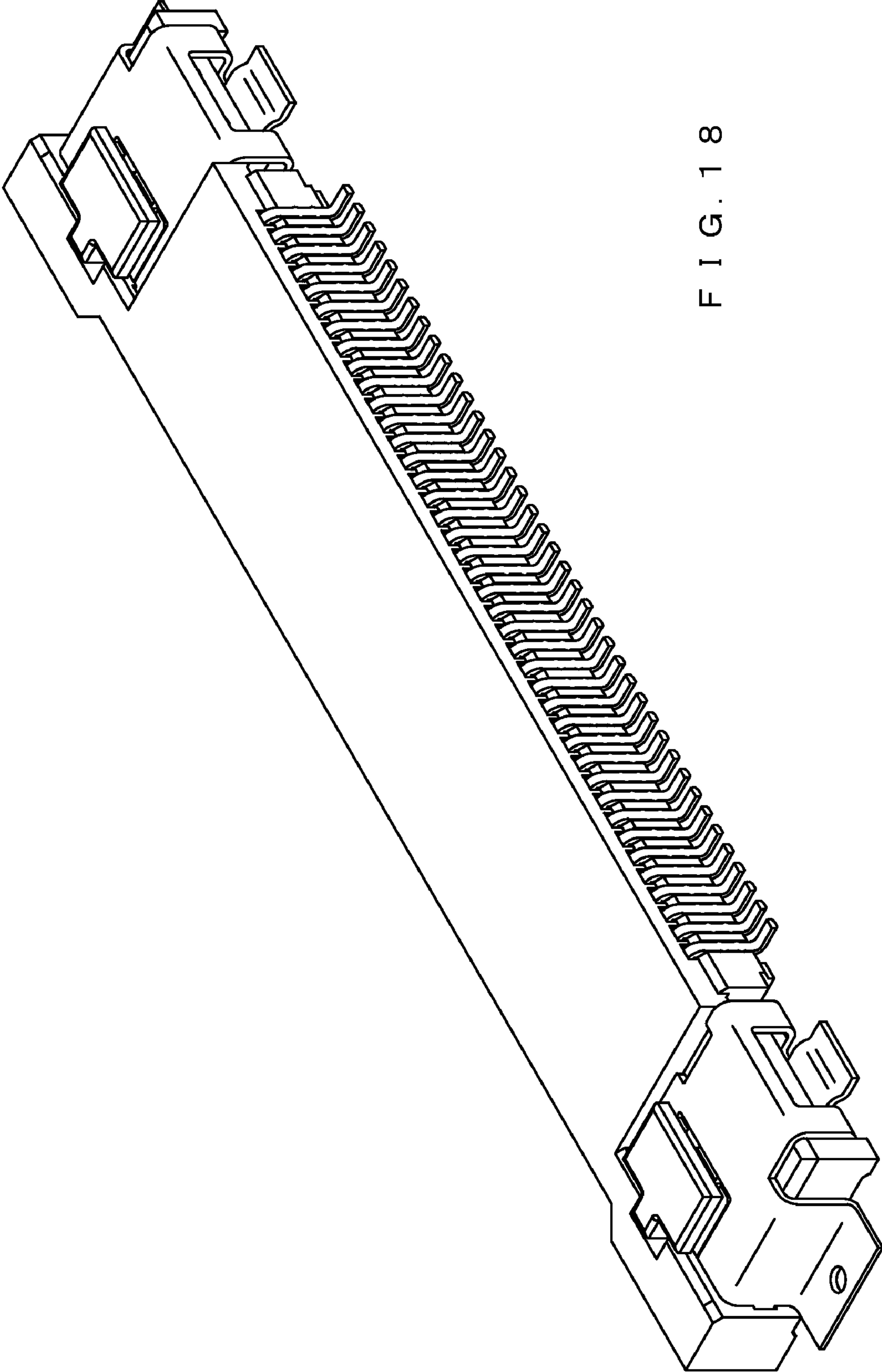


FIG. 18

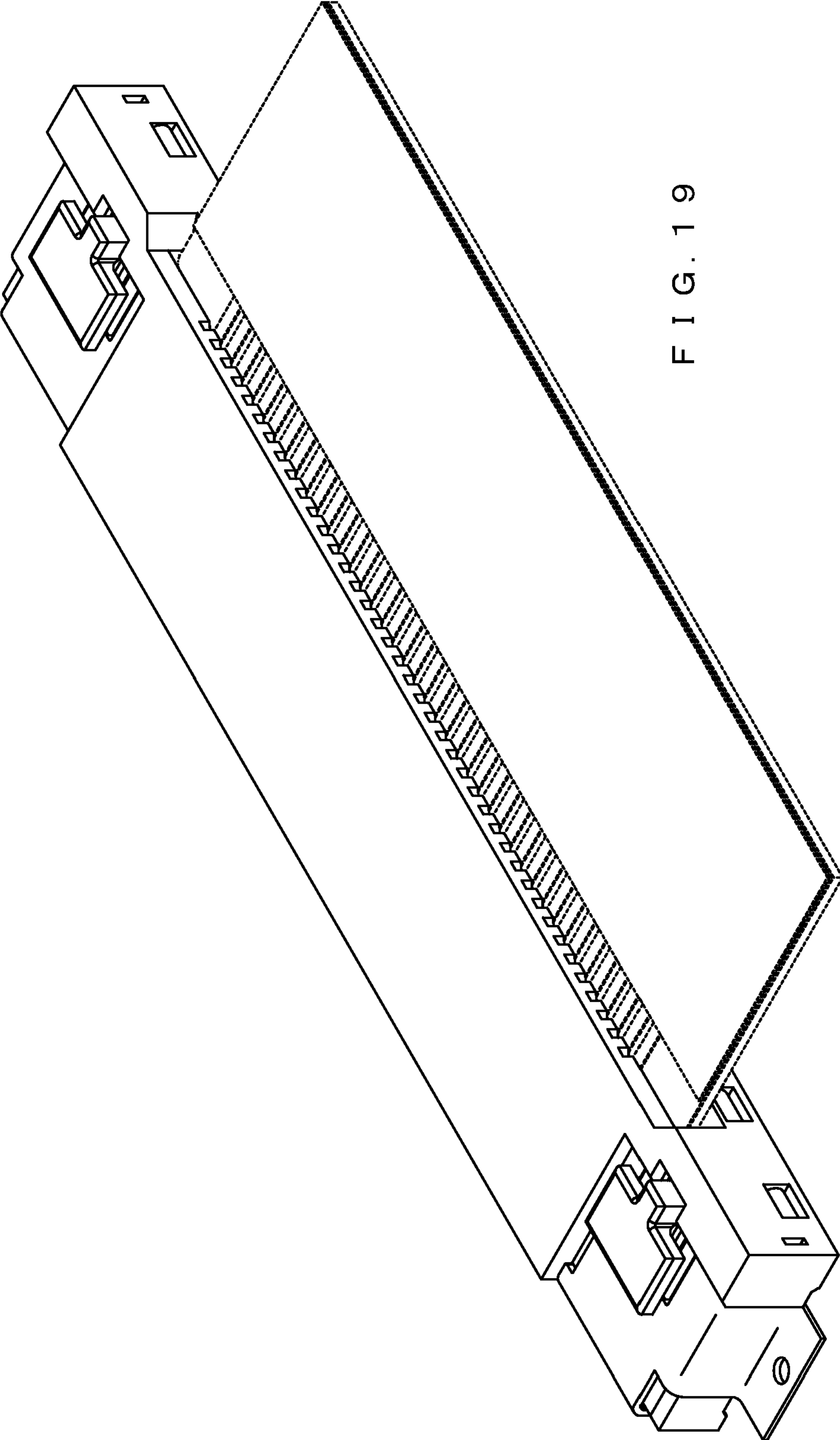


FIG. 19

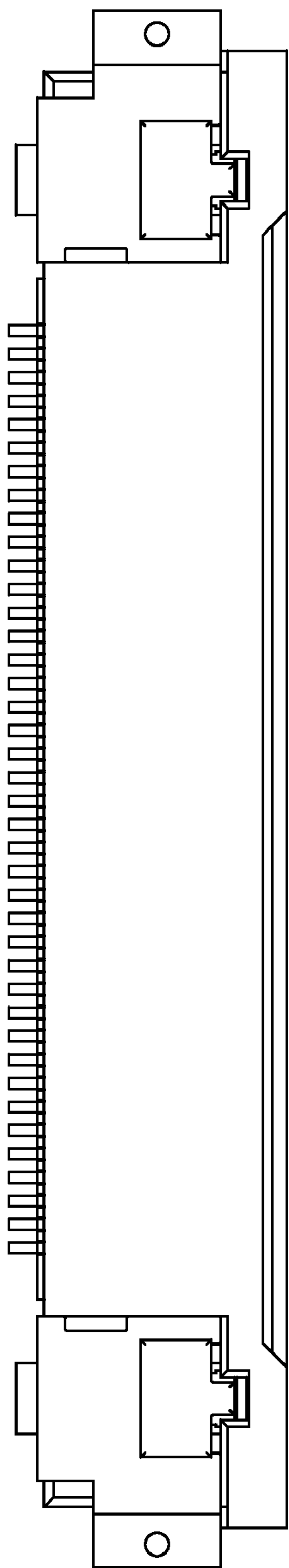


FIG. 20

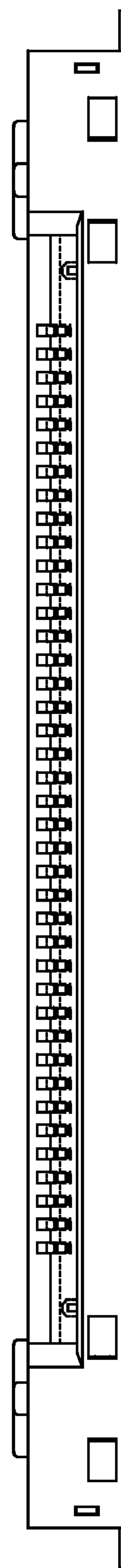


FIG. 21

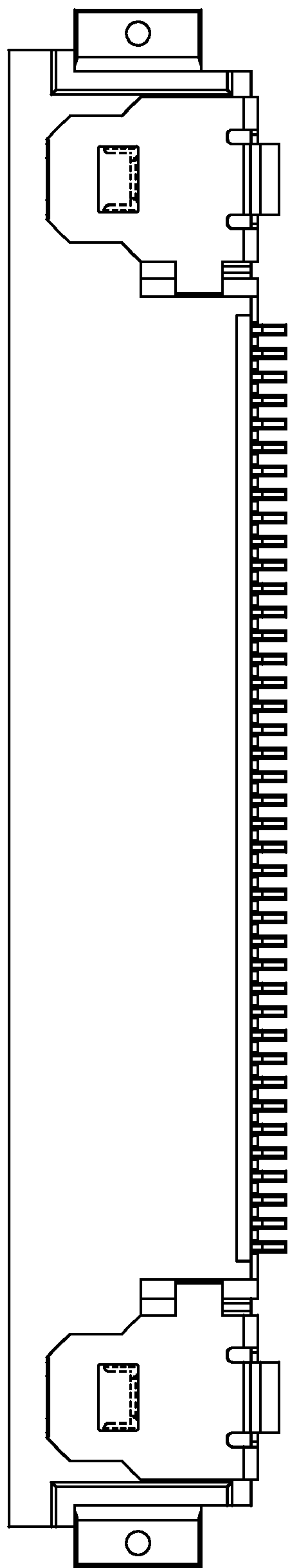


FIG. 22

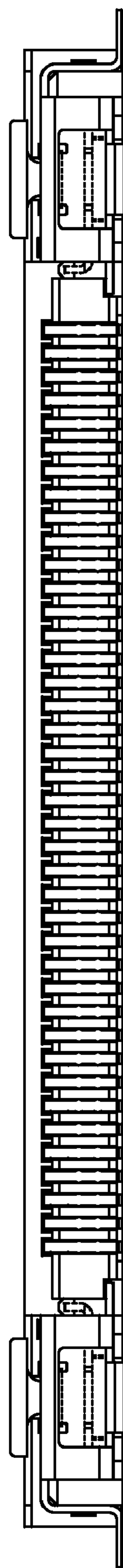


FIG. 23

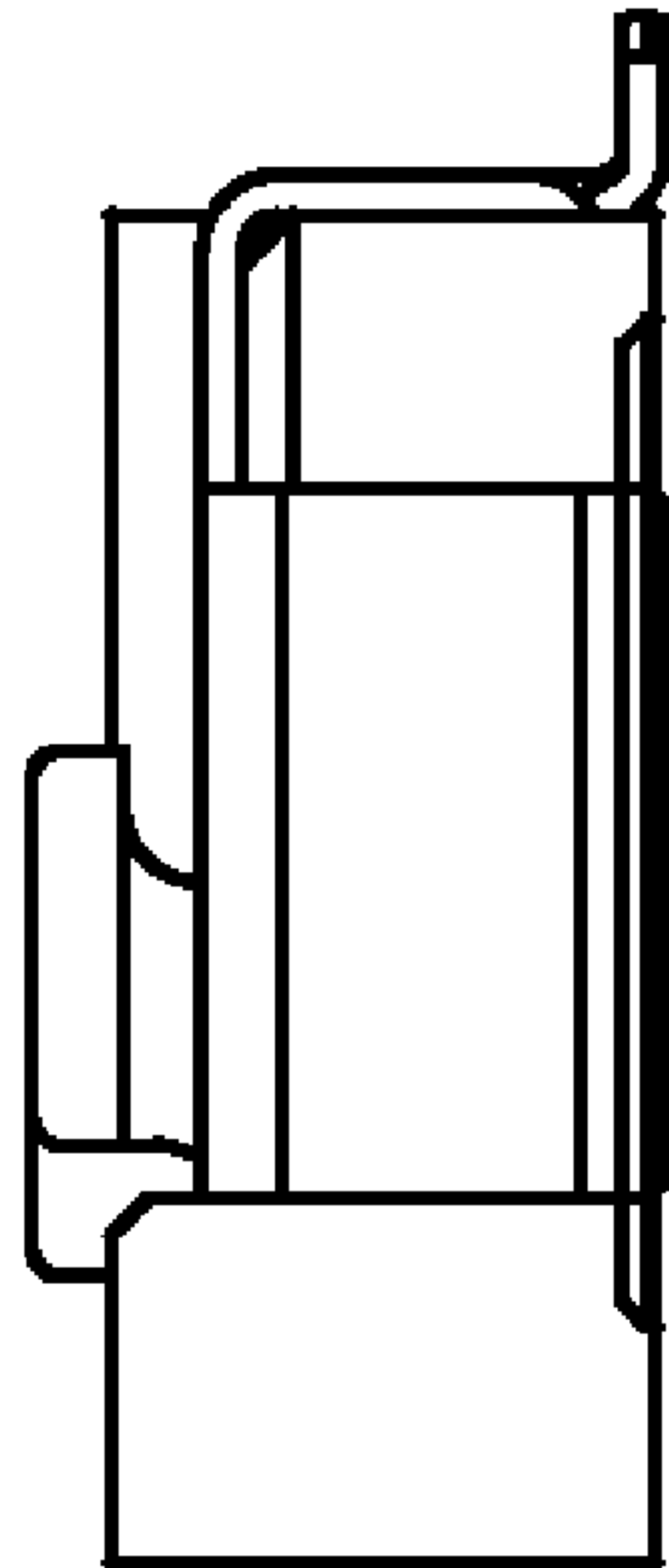


FIG. 24