



US00D629756S

(12) **United States Design Patent**  
**Zhu et al.**

(10) **Patent No.:** **US D629,756 S**  
(45) **Date of Patent:** **\*\* Dec. 28, 2010**

(54) **ELECTRICAL CONNECTOR**

(75) Inventors: **Zi-Qiang Zhu**, Kunshan (CN);  
**Xiao-Peng Yu**, Kunshan (CN); **Feng Xiong**, Kunshan (CN); **Hong-Qiang Han**, Kunshan (CN)

(73) Assignee: **Hon Hai Precision Ind. Co., Ltd.**,  
Taipei Hsien (TW)

(\*\*) Term: **14 Years**

(21) Appl. No.: **29/356,510**

(22) Filed: **Feb. 26, 2010**

(30) **Foreign Application Priority Data**

Aug. 31, 2009 (CN) ..... 2009 3 0313911

(51) **LOC (9) Cl.** ..... **13-03**

(52) **U.S. Cl.** ..... **D13/147**

(58) **Field of Classification Search** ..... D13/133,  
D13/147, 154, 184; 439/79, 108, 378, 483,  
439/527, 567, 533, 607.01, 607.04, 607.05,  
439/607.17, 607.25, 607.34, 607.41, 607.53,  
439/668, 680, 892, 894

See application file for complete search history.

(56) **References Cited**

**U.S. PATENT DOCUMENTS**

D481,681 S \* 11/2003 Takahashi ..... D13/147  
D590,776 S \* 4/2009 Kondo ..... D13/147  
D602,873 S \* 10/2009 Sasaki et al. .... D13/147

D605,598 S \* 12/2009 Hori et al. .... D13/147  
D609,186 S \* 2/2010 Han et al. .... D13/147  
D618,625 S \* 6/2010 Nagata et al. .... D13/147

**FOREIGN PATENT DOCUMENTS**

TW D101972 12/2004

\* cited by examiner

*Primary Examiner*—Daniel D Bui

(74) *Attorney, Agent, or Firm*—Wei Te Chung; Andrew C. Cheng; Ming Chieh Chang

(57) **CLAIM**

The ornamental design for an electrical connector, as shown and described.

**DESCRIPTION**

FIG. 1 is a front, top and right side perspective view of an electrical connector showing our new design;

FIG. 2 is a front elevational view thereof;

FIG. 3 is a rear elevational view thereof;

FIG. 4 is a left side elevational view thereof;

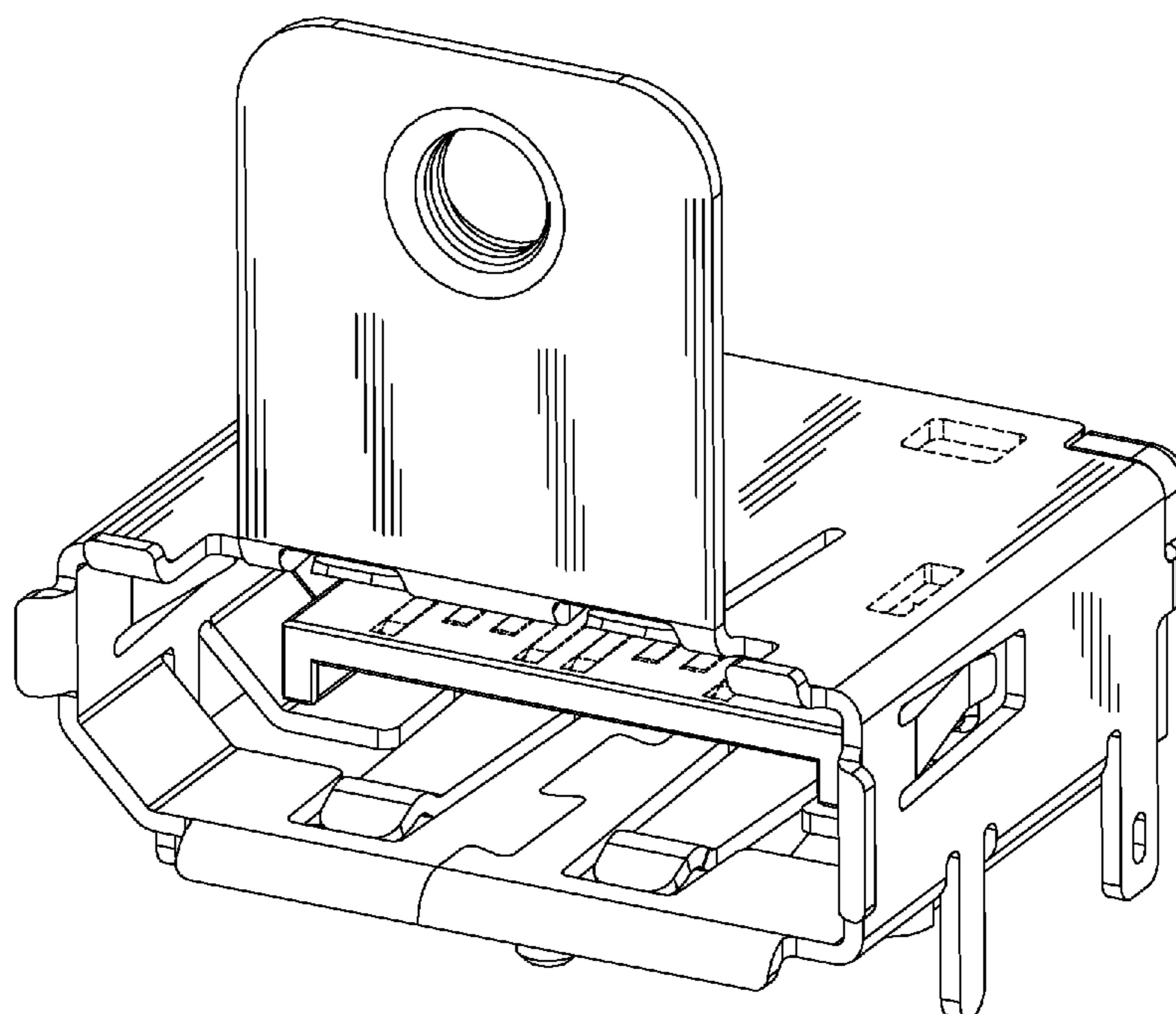
FIG. 5 is a right side elevational view thereof;

FIG. 6 is a top plan view thereof; and,

FIG. 7 is a bottom plan view thereof.

The broken line portion in the drawing views is included to show unclaimed subject matter only and forms no part of the claimed design.

**1 Claim, 7 Drawing Sheets**



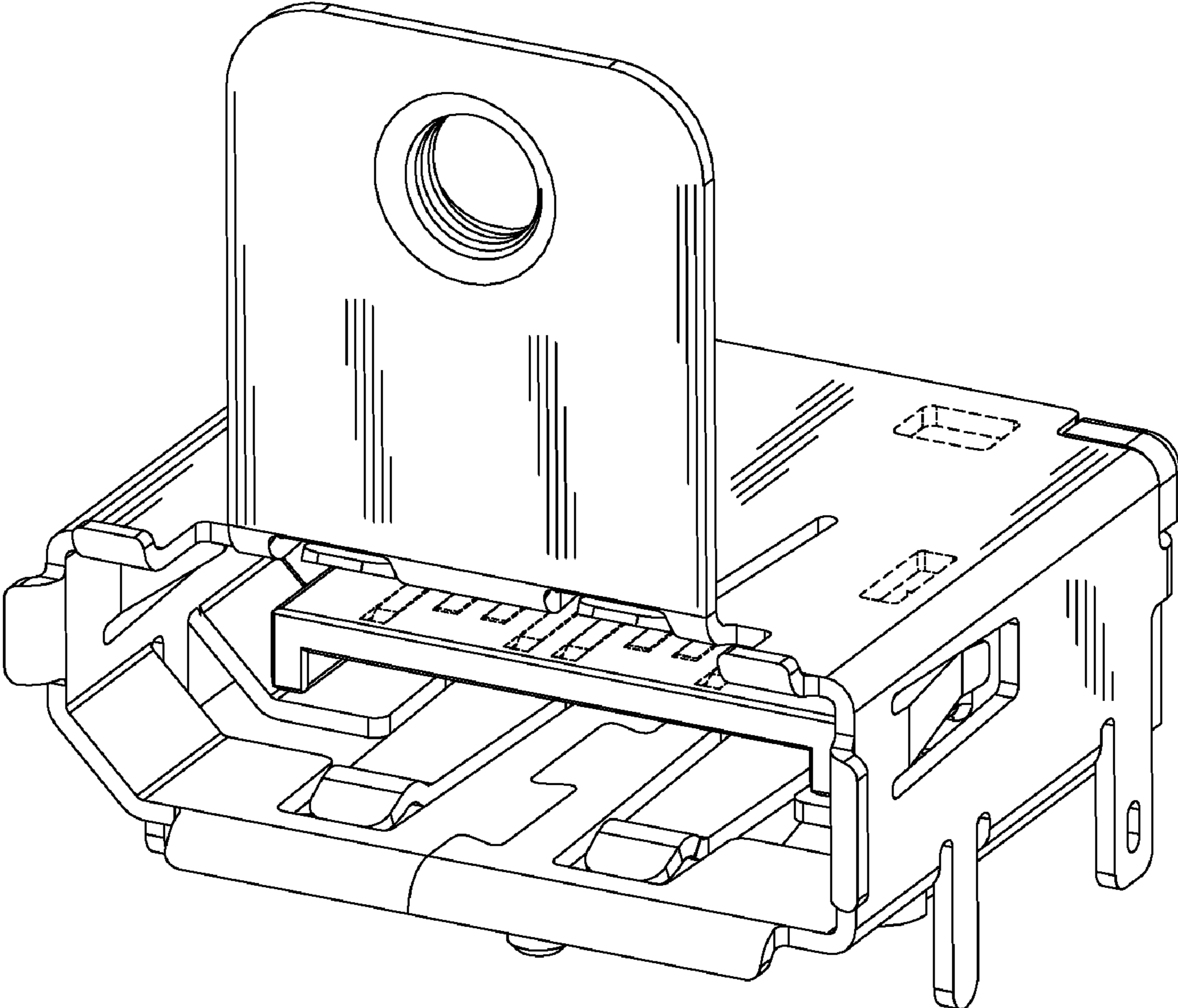


FIG. 1

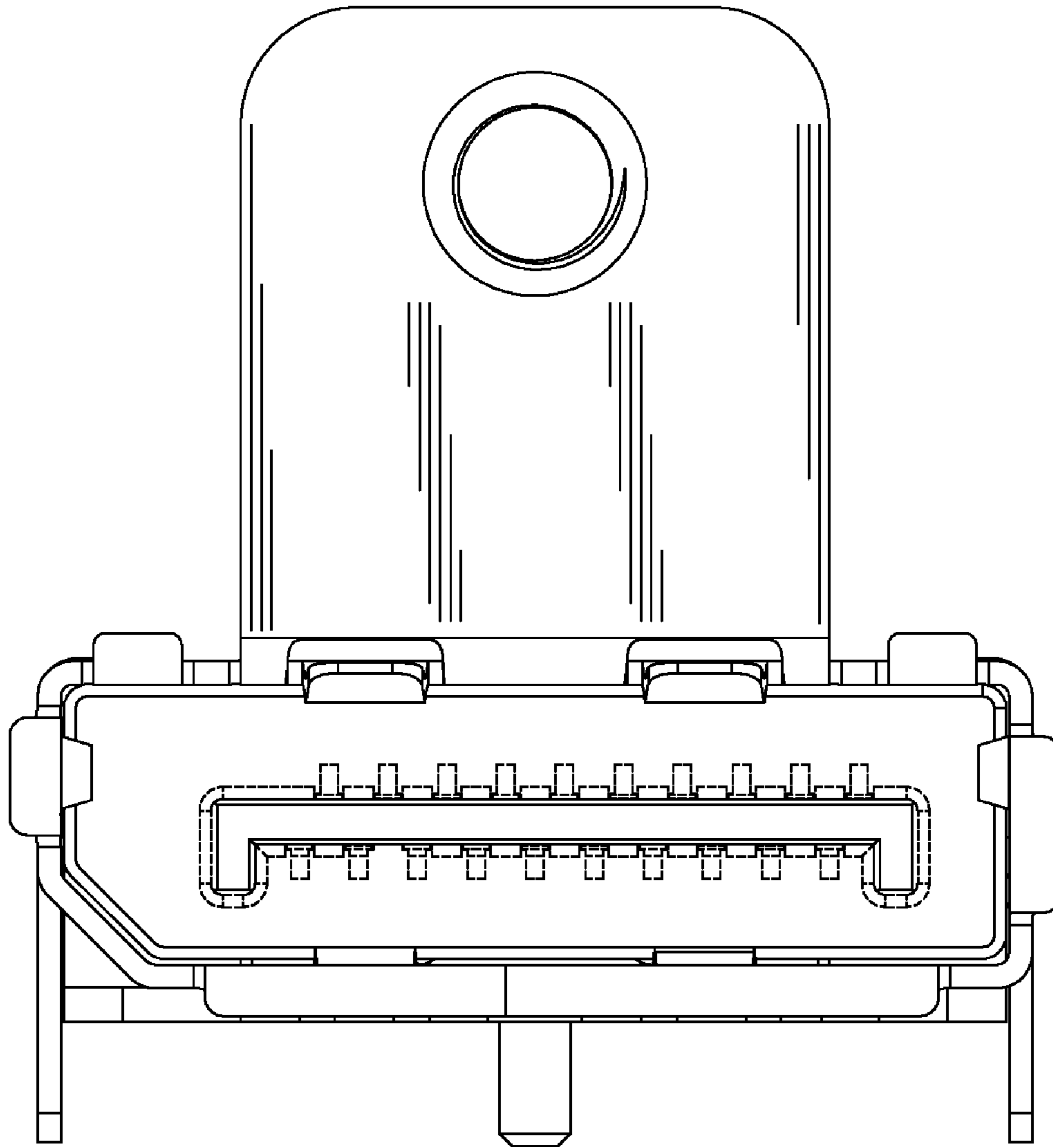


FIG. 2

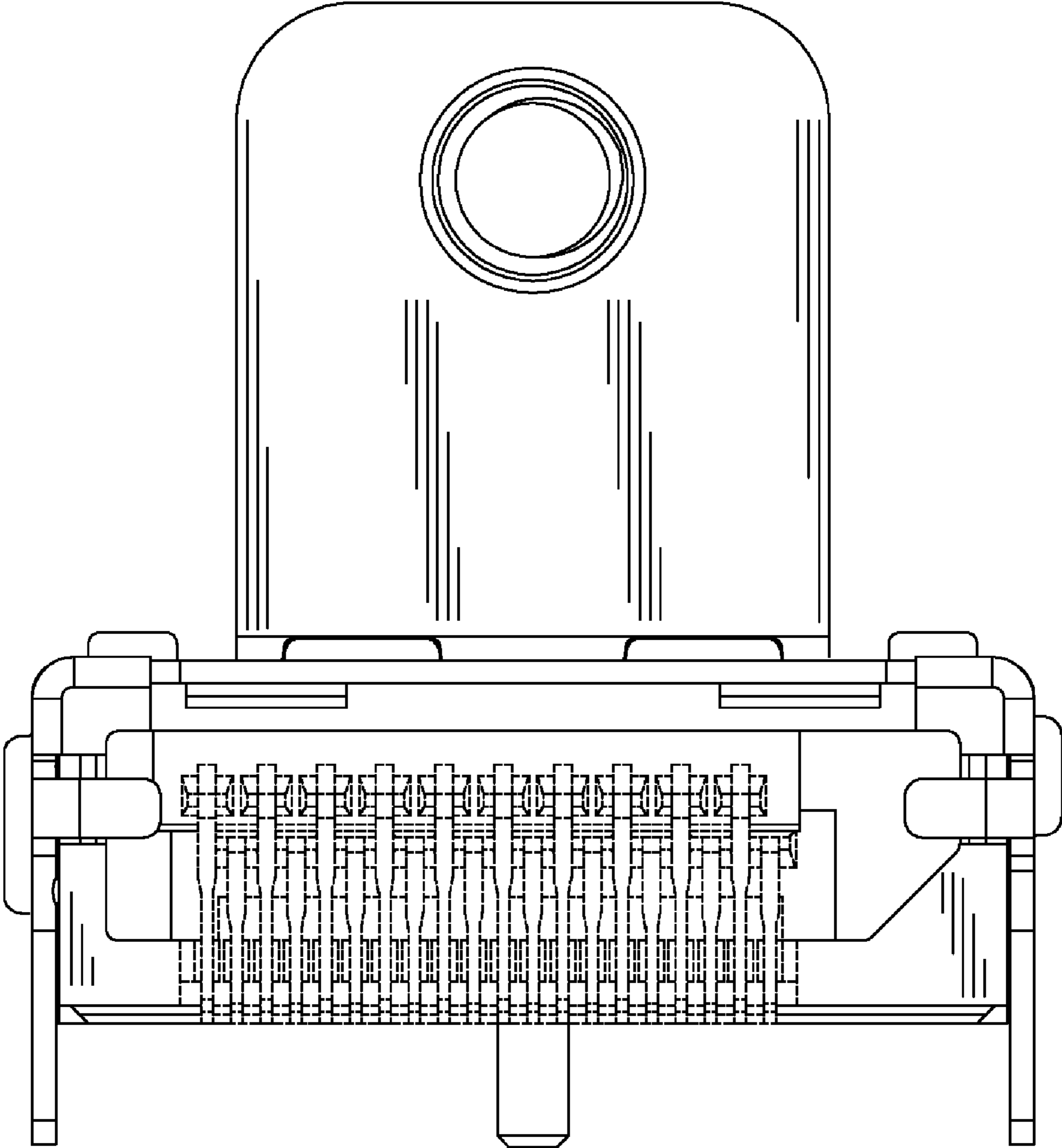


FIG. 3

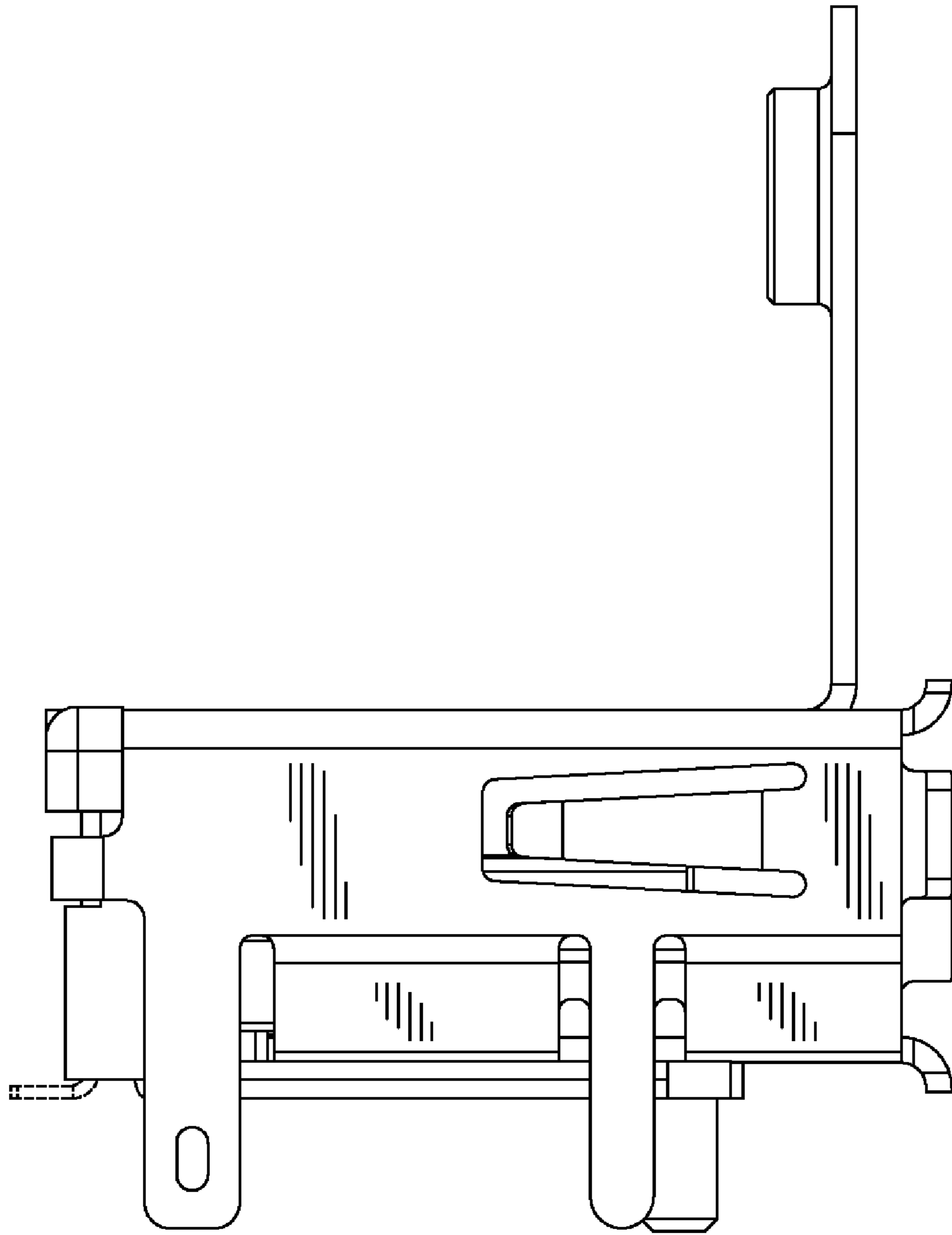


FIG. 4

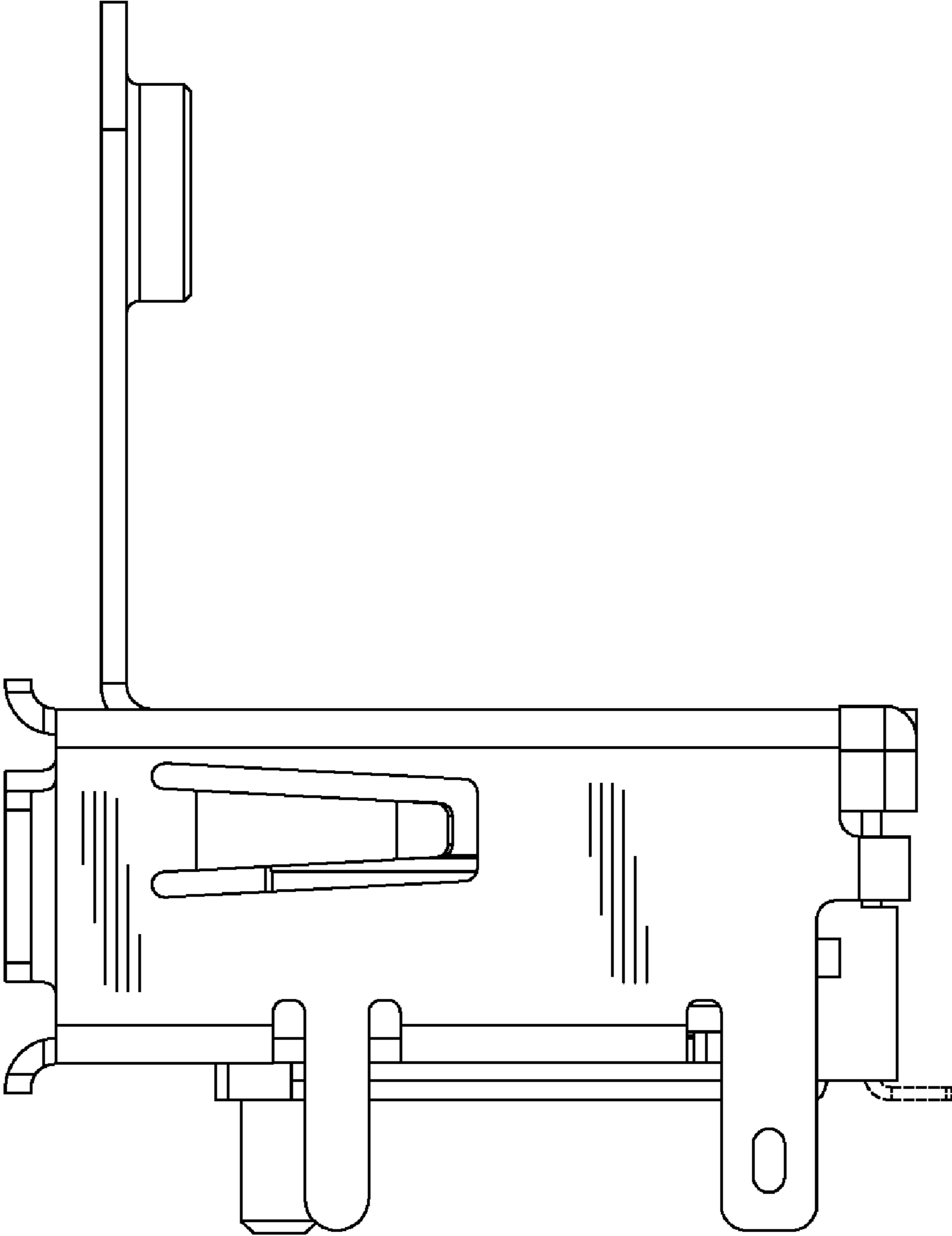


FIG. 5

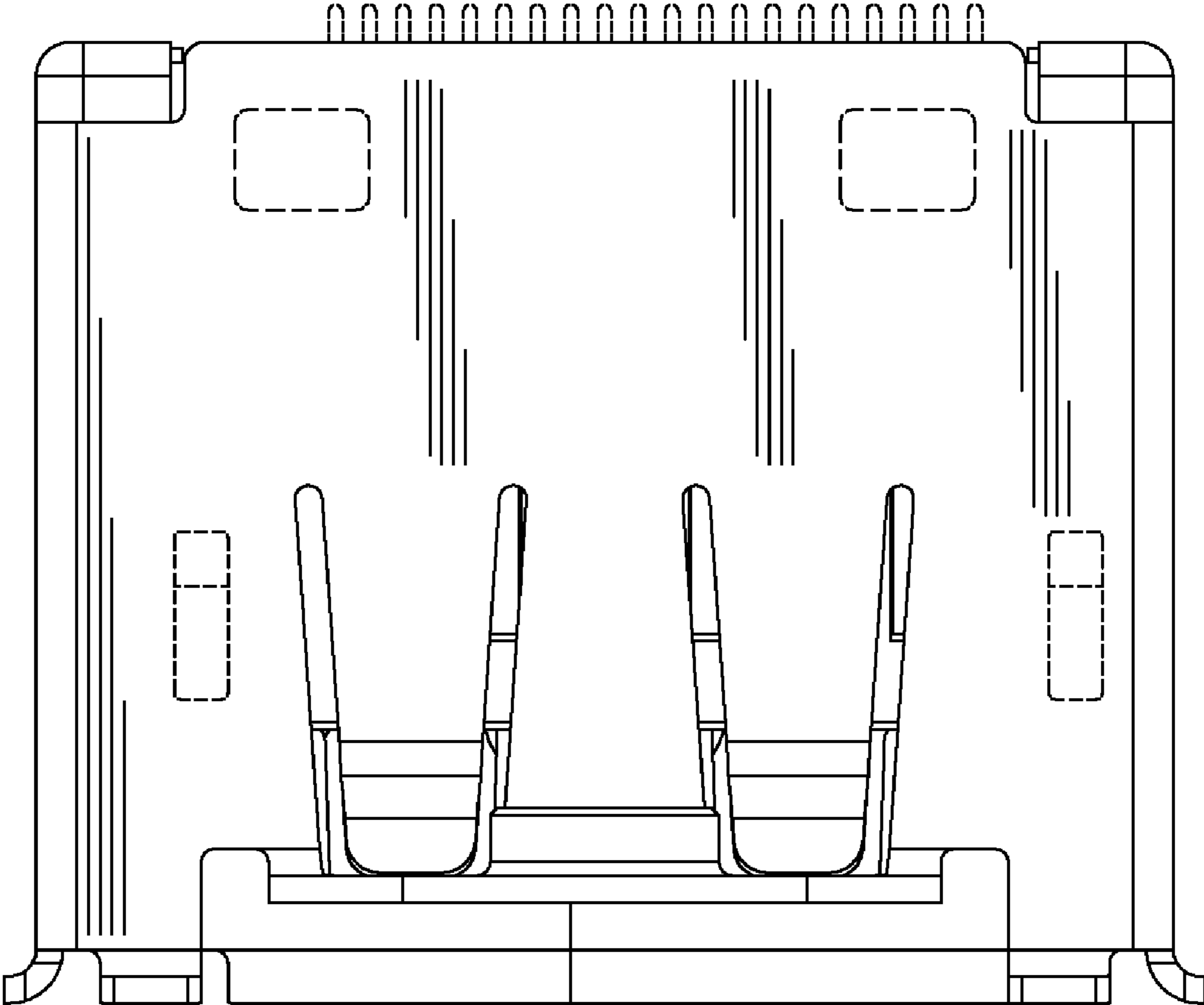


FIG. 6

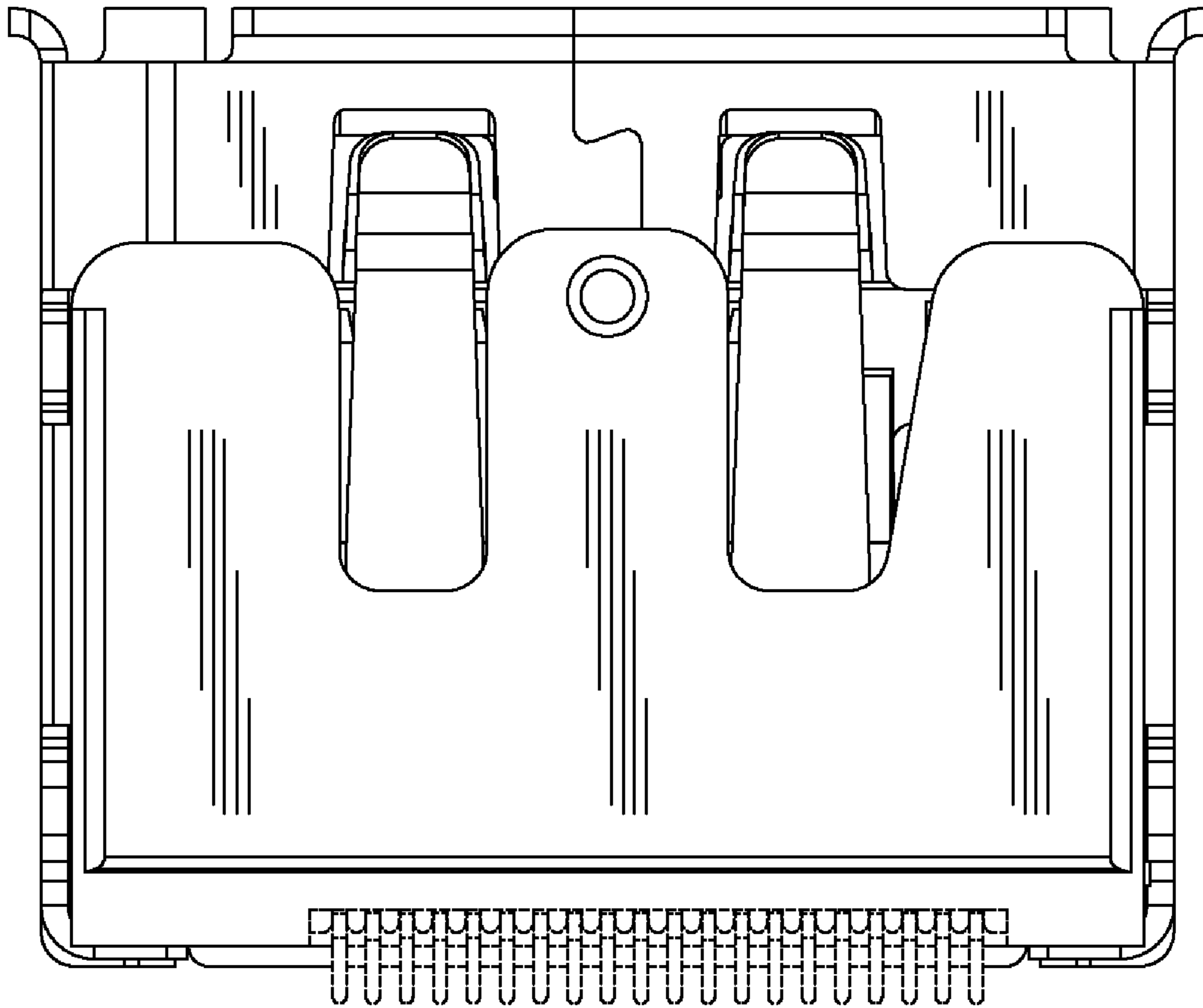


FIG. 7