



US00D629754S

(12) **United States Design Patent**
Oda et al.

(10) **Patent No.:** **US D629,754 S**
(45) **Date of Patent:** **** Dec. 28, 2010**

(54) **RELAY CONNECTOR**

(75) Inventors: **Toshiya Oda**, Yamato (JP); **Keiko Fukui**, Yamato (JP); **Hiroki Kobayashi**, Yamato (JP)

(73) Assignee: **Molex Incorporated**, Lisle, IL (US)

(**) Term: **14 Years**

(21) Appl. No.: **29/355,356**

(22) Filed: **Feb. 5, 2010**

(30) **Foreign Application Priority Data**

Aug. 6, 2009 (JP) 2009-017988
Sep. 16, 2009 (JP) 2009-021483

(51) **LOC (9) Cl.** **13-03**

(52) **U.S. Cl.** **D13/147**

(58) **Field of Classification Search** D13/133,
D13/146-147, 154, 156, 184; 439/266, 345,
439/352, 357, 358, 476.1, 595, 607.01, 607.04,
439/607.05, 607.17, 607.25, 607.34, 607.41,
439/607.53, 660, 680, 682, 752

See application file for complete search history.

(56) **References Cited**

U.S. PATENT DOCUMENTS

D402,628 S * 12/1998 Canuto et al. D13/133
D429,690 S * 8/2000 Fristedt D13/146

D484,461 S * 12/2003 Piovesan D13/146
D510,908 S * 10/2005 Byrne D13/147
D604,249 S * 11/2009 Mancini D13/147

* cited by examiner

Primary Examiner—Daniel D Bui

(74) *Attorney, Agent, or Firm*—Timothy M. Morella

(57) **CLAIM**

The ornamental design for a relay connector, as shown and described.

DESCRIPTION

FIG. 1 is a front, bottom and left side perspective view of a relay connector showing our new design;

FIG. 2 is a rear, bottom and right side perspective view thereof;

FIG. 3 is a front, top and right side perspective view thereof;

FIG. 4 is a rear, top and left side perspective view thereof;

FIG. 5 is a front elevation view thereof;

FIG. 6 is a rear elevation view thereof;

FIG. 7 is a top plan view thereof;

FIG. 8 is a bottom plan view thereof;

FIG. 9 is a right side elevation view thereof; and,

FIG. 10 is a left side elevation view thereof.

1 Claim, 4 Drawing Sheets

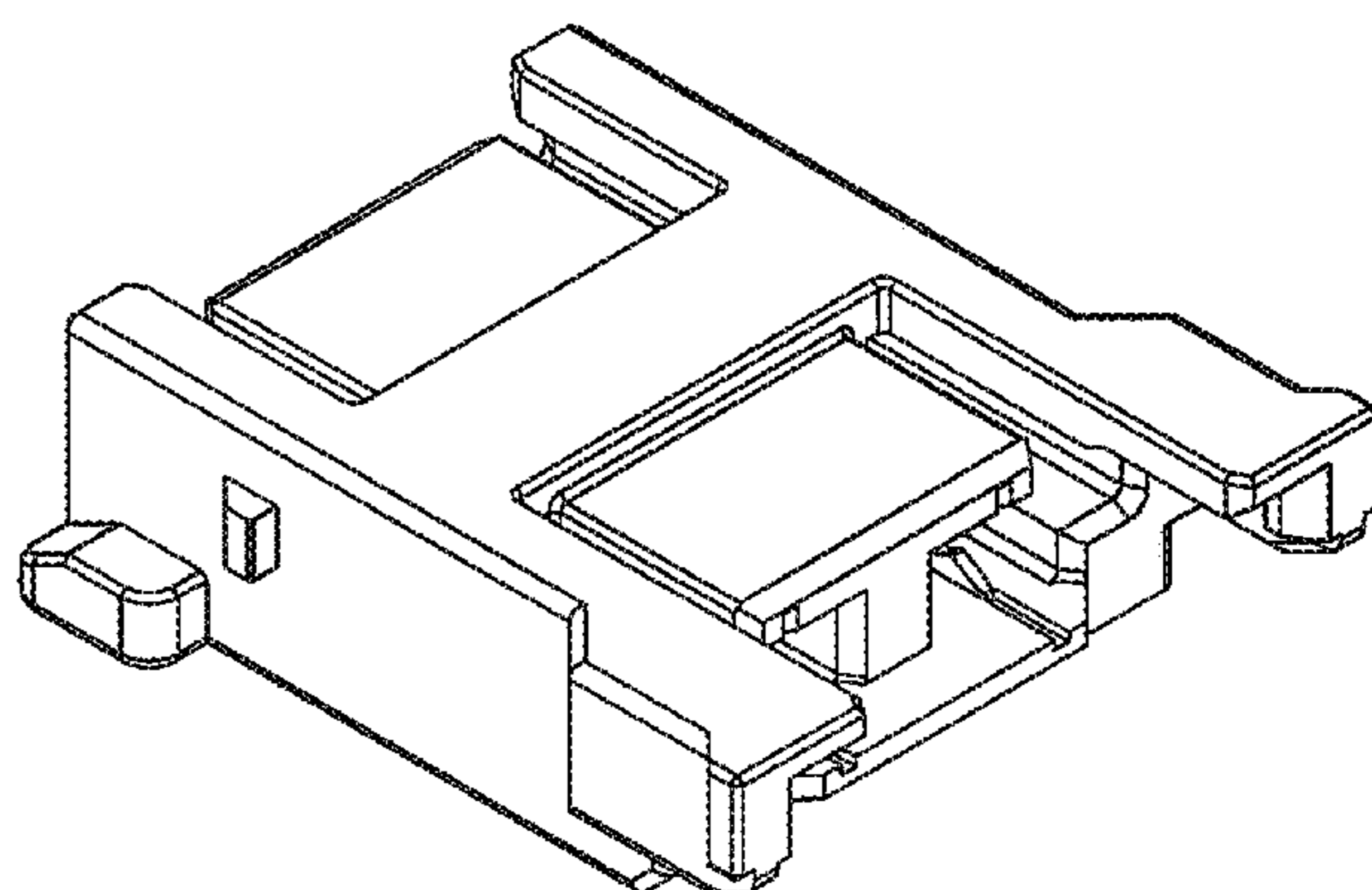
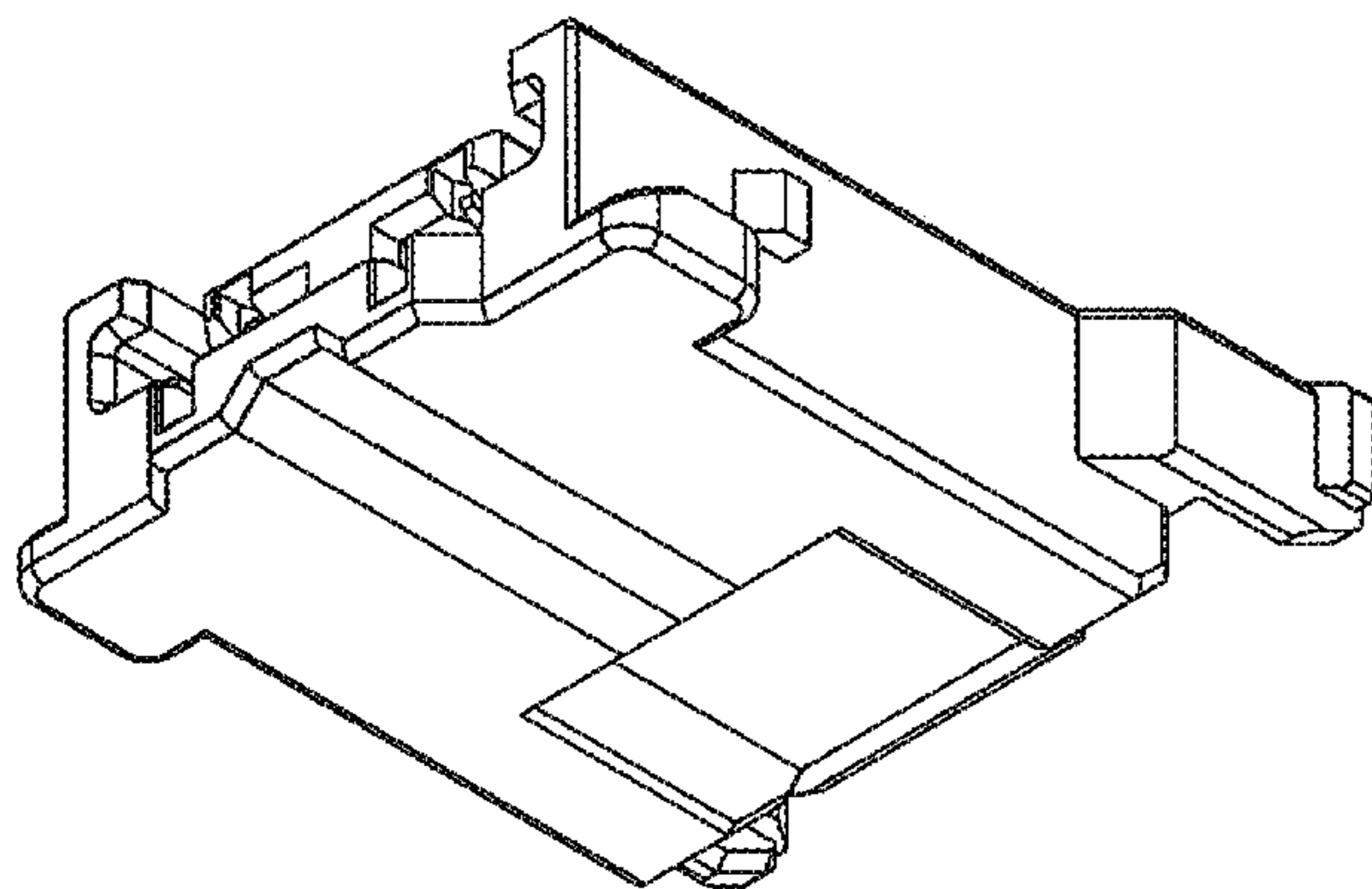


FIG. 1

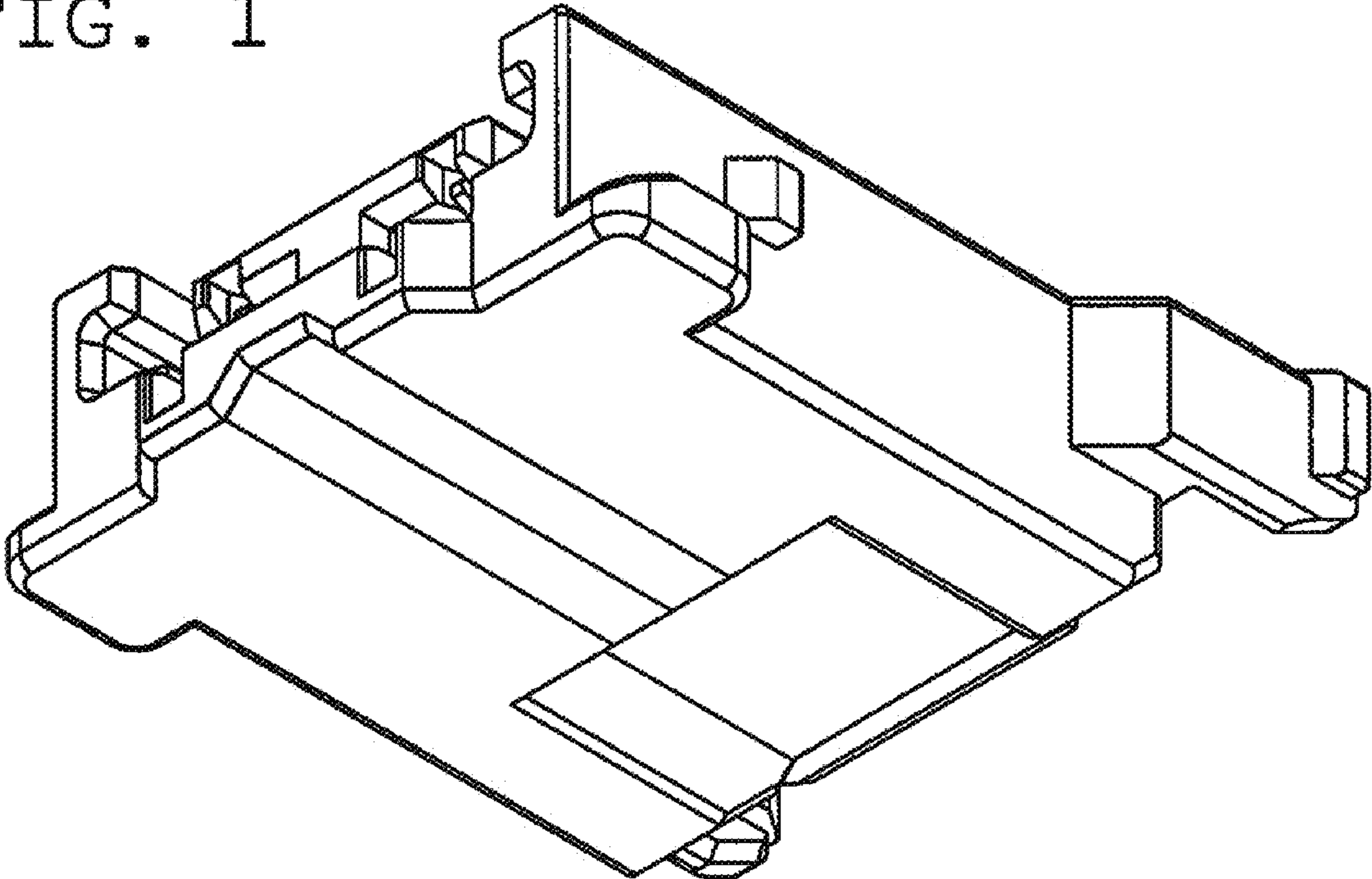


FIG. 2

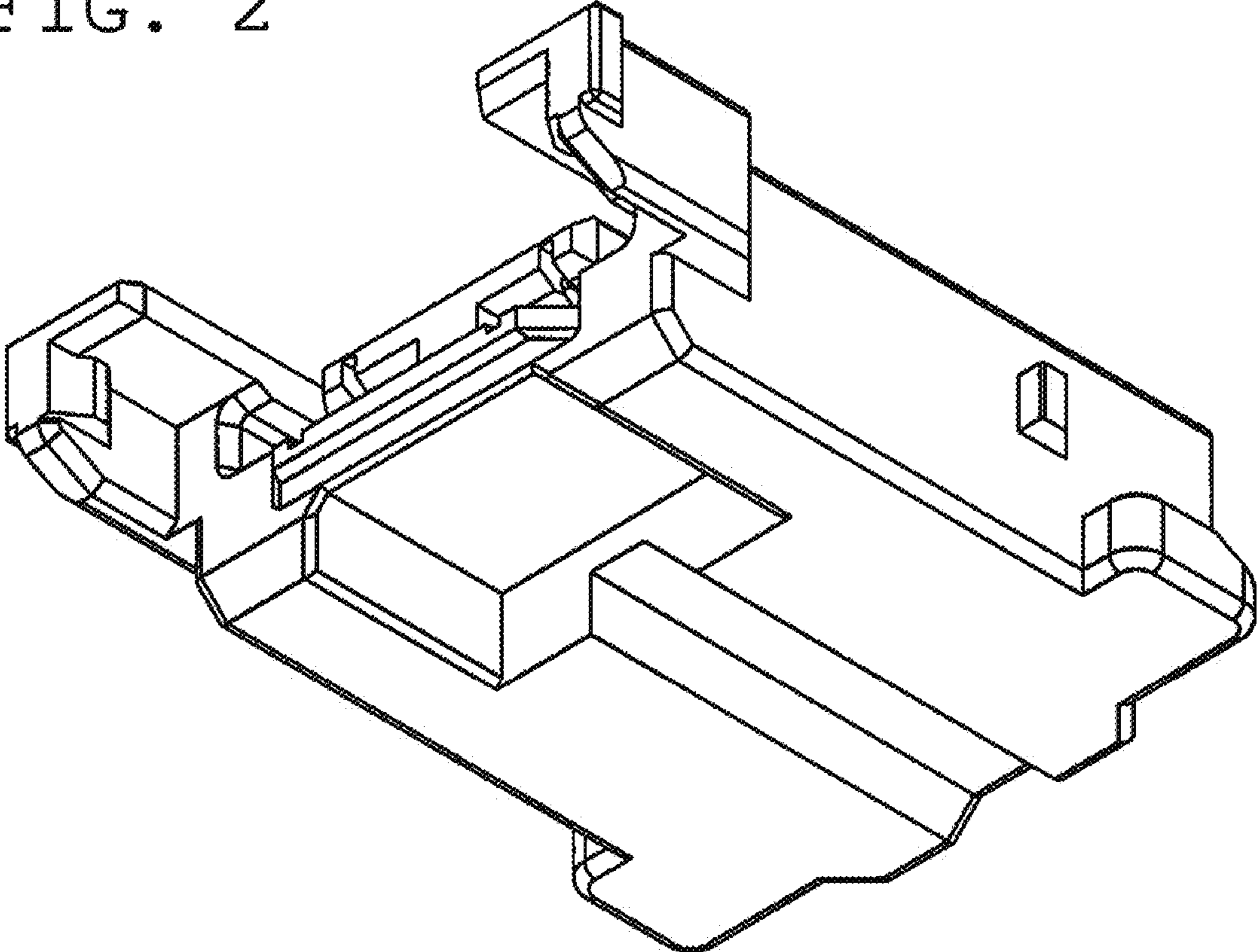


FIG. 3

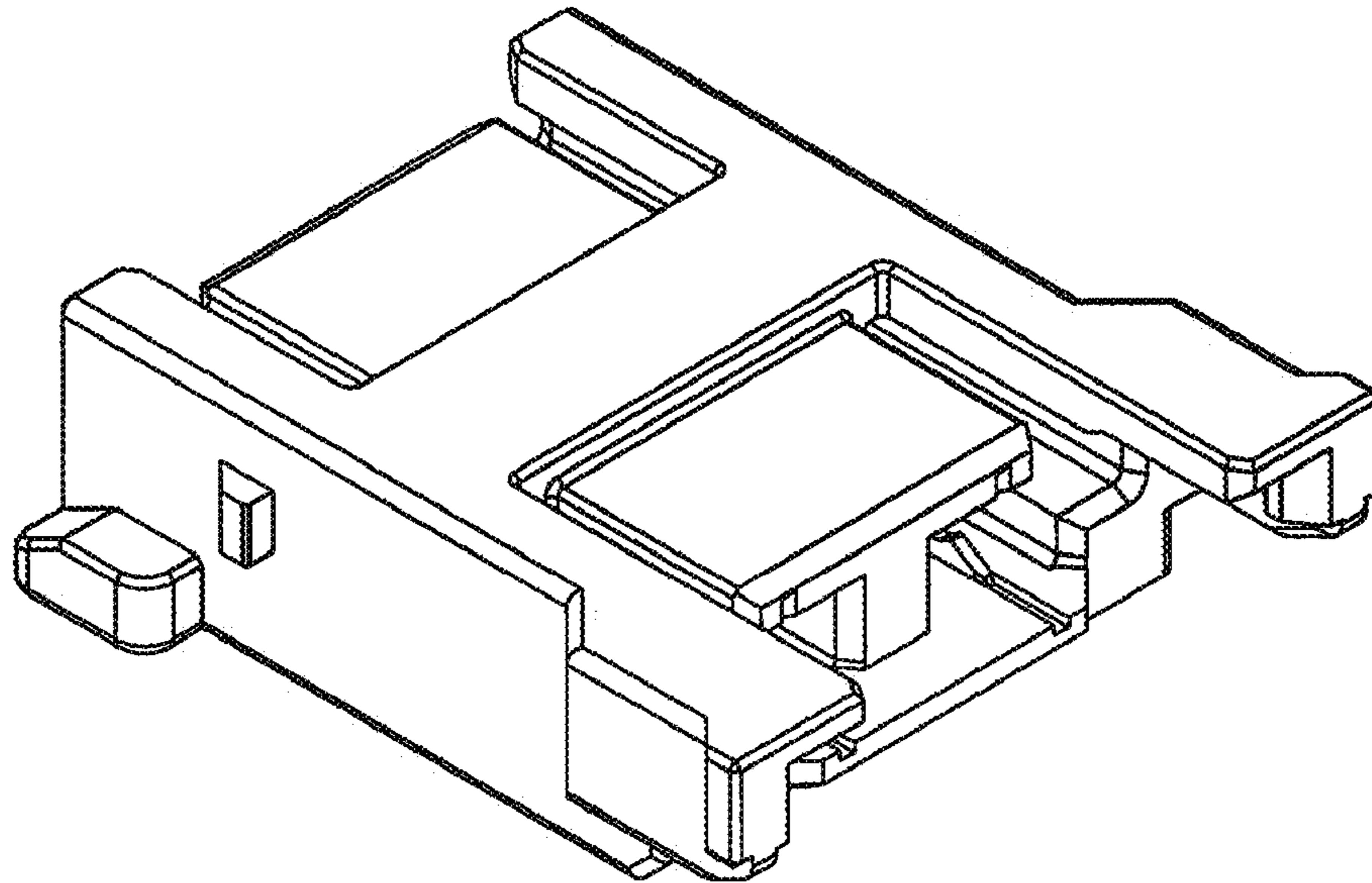


FIG. 4

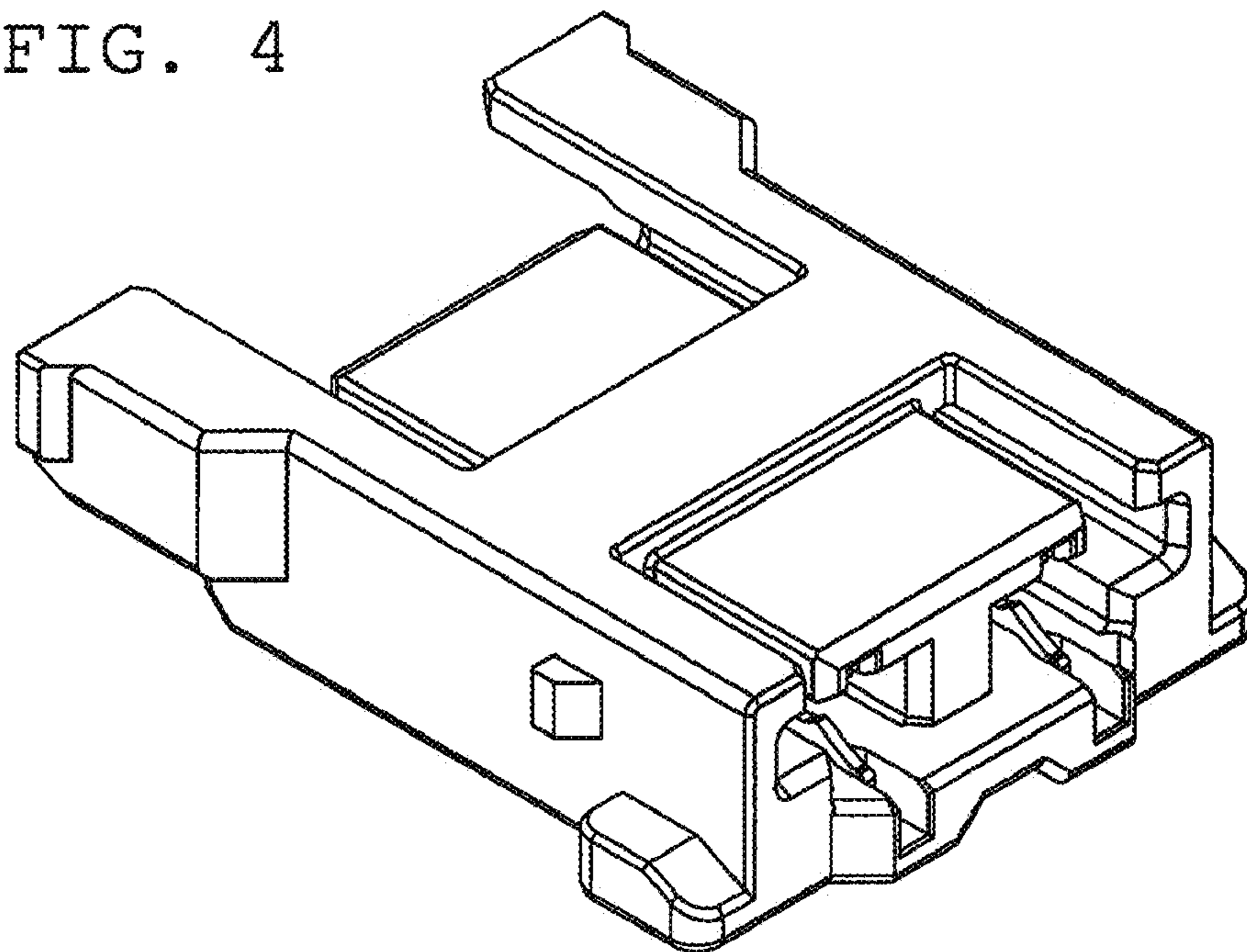


FIG. 5

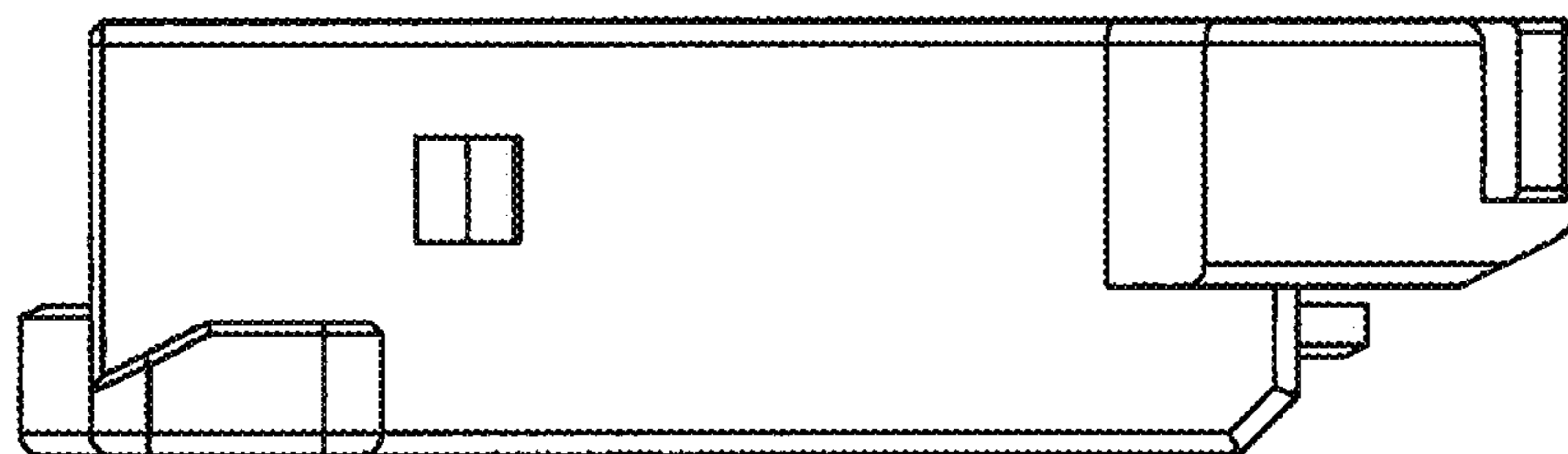


FIG. 6

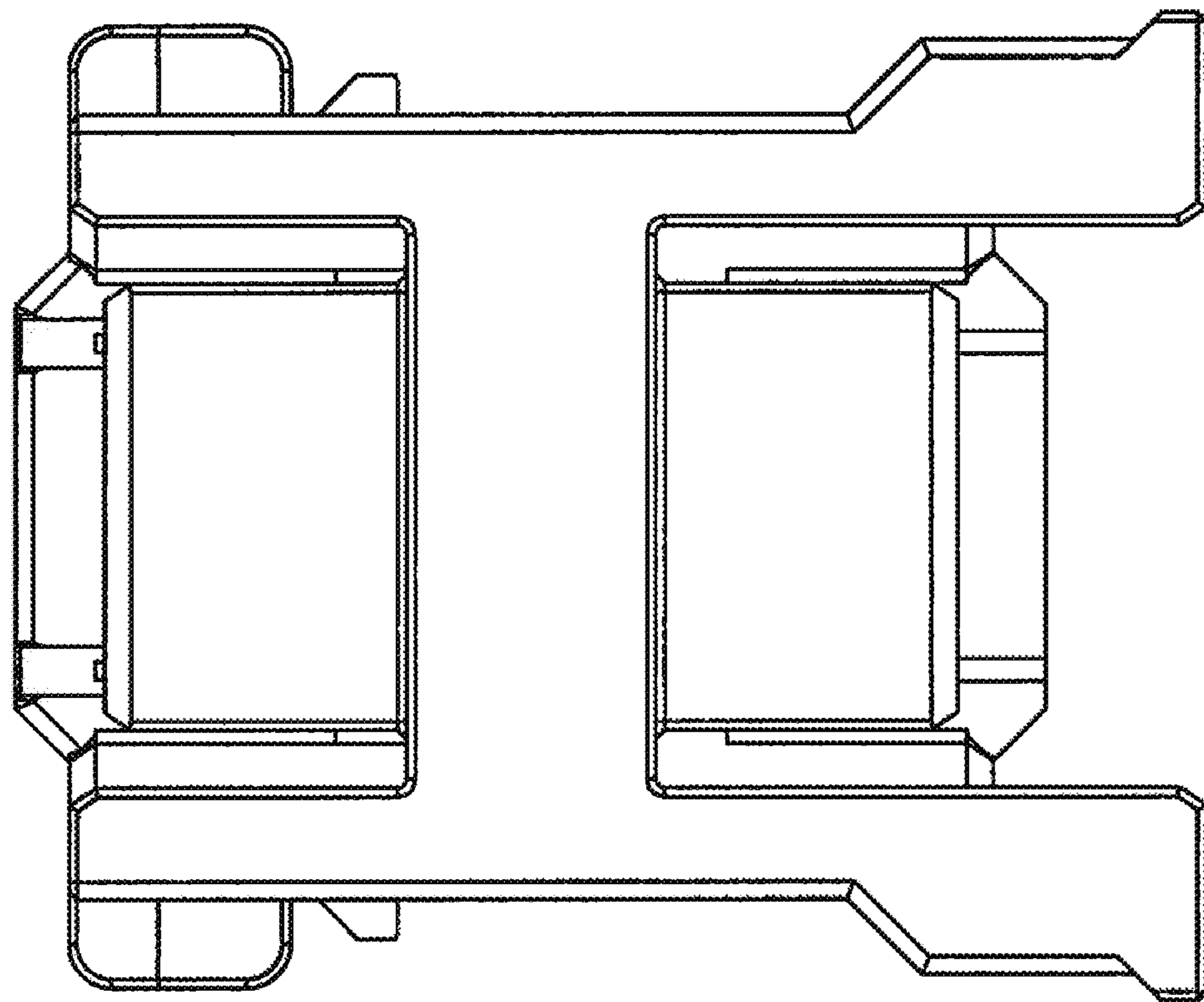


FIG. 7

FIG. 8

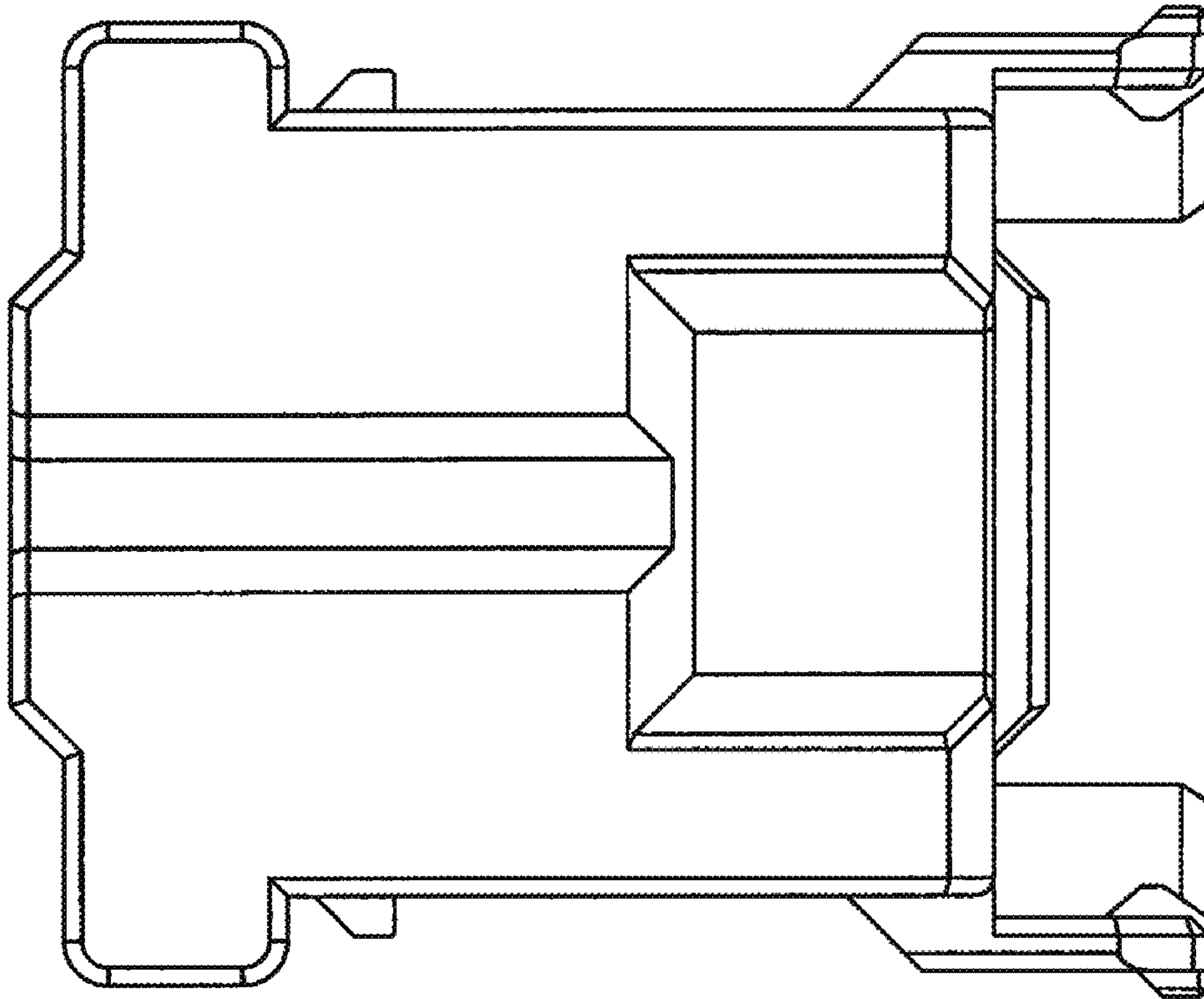


FIG. 9

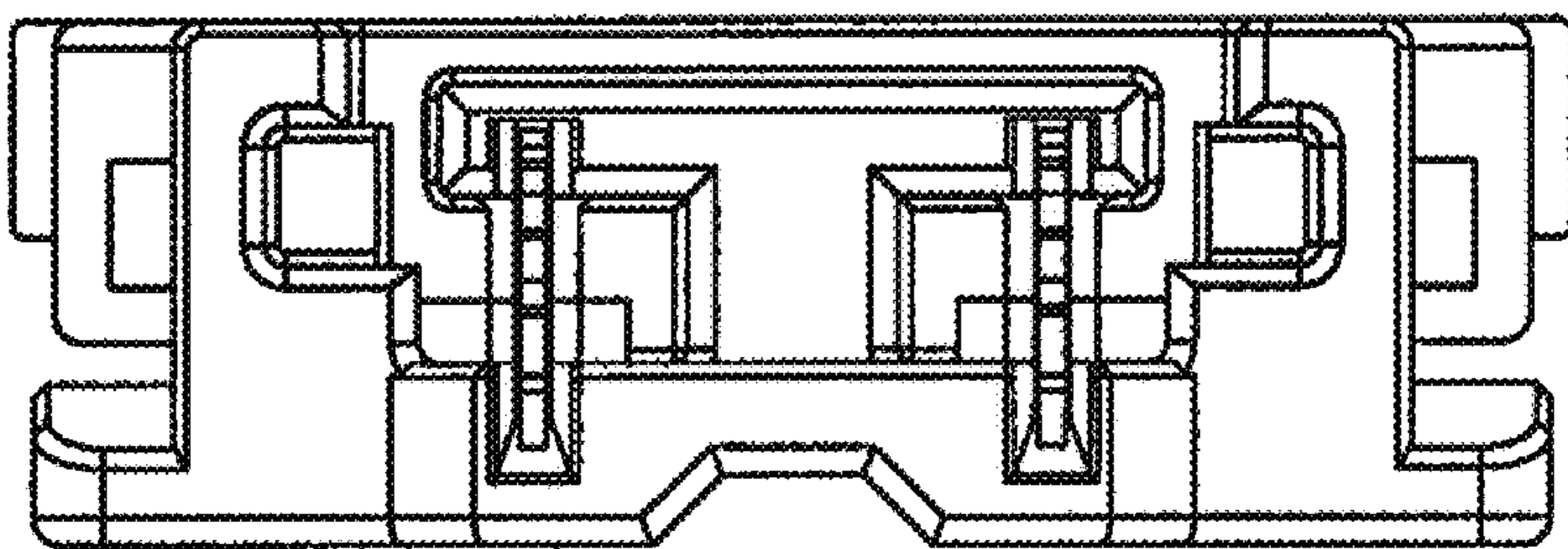
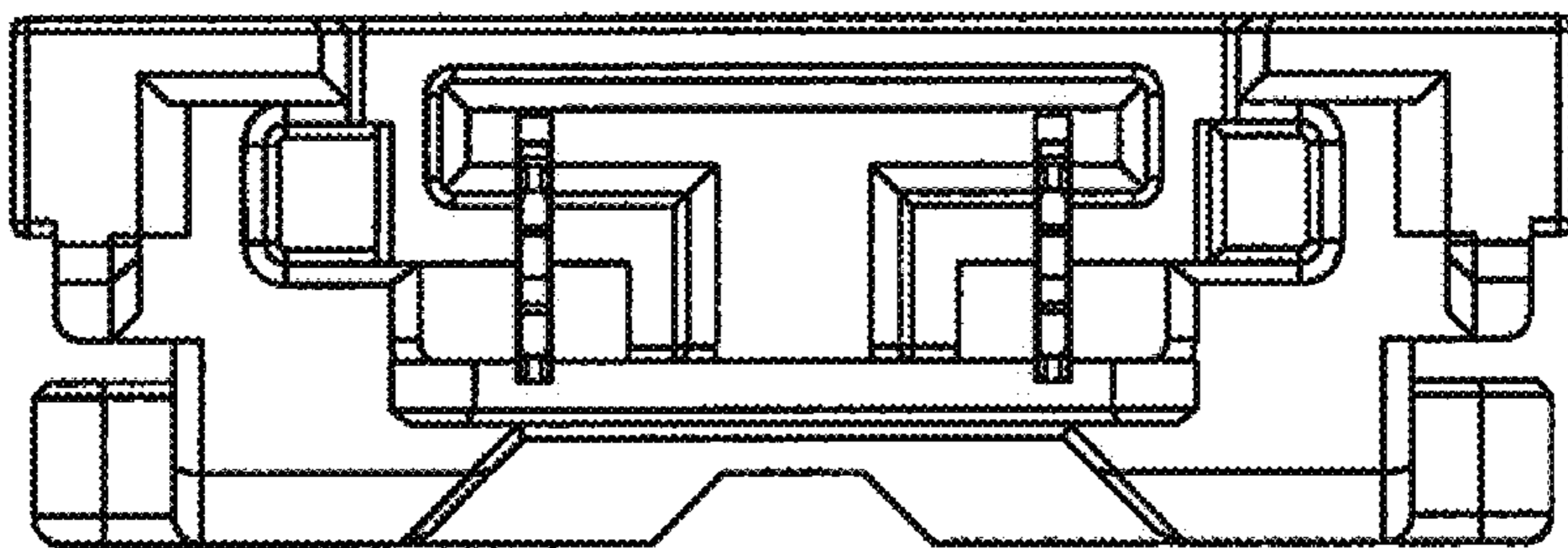


FIG. 10