



US00D629753S

(12) **United States Design Patent**
Chang

(10) **Patent No.:** **US D629,753 S**

(45) **Date of Patent:** **** Dec. 28, 2010**

(54) **RJ45 CONNECTOR**

(75) Inventor: **Yu-Chi Chang**, Hsin-Tien (TW)

(73) Assignee: **Advanced Connectek Inc.**, Taipei Hsien (TW)

(**) Term: **14 Years**

(21) Appl. No.: **29/347,874**

(22) Filed: **Jul. 2, 2010**

(51) **LOC (9) Cl.** **13-03**

(52) **U.S. Cl.** **D13/147**

(58) **Field of Classification Search** D13/133,
D13/147, 154, 184; 439/188, 256, 344, 607.01,
439/607.04, 607.05, 607.17, 607.25, 607.34,
439/607.41, 607.53, 660, 676

See application file for complete search history.

(56) **References Cited**

U.S. PATENT DOCUMENTS

D447,733	S	*	9/2001	Ma et al.	D13/147
D461,450	S	*	8/2002	Cheng et al.	D13/133
D461,776	S	*	8/2002	Chen et al.	D13/147
D467,228	S	*	12/2002	Shi et al.	D13/147
D605,130	S	*	12/2009	Lin et al.	D13/147

* cited by examiner

Primary Examiner—Daniel D Bui

(74) *Attorney, Agent, or Firm*—HersHKovitz & Associates, LLC; Abraham HersHKovitz

(57) **CLAIM**

The ornamental design for an RJ45 connector, as shown and described.

DESCRIPTION

FIG. 1 is a perspective view of an RJ45 connector showing my new design;

FIG. 2 is a front view thereof;

FIG. 3 is a rear view thereof;

FIG. 4 is a left view thereof;

FIG. 5 is a right view thereof;

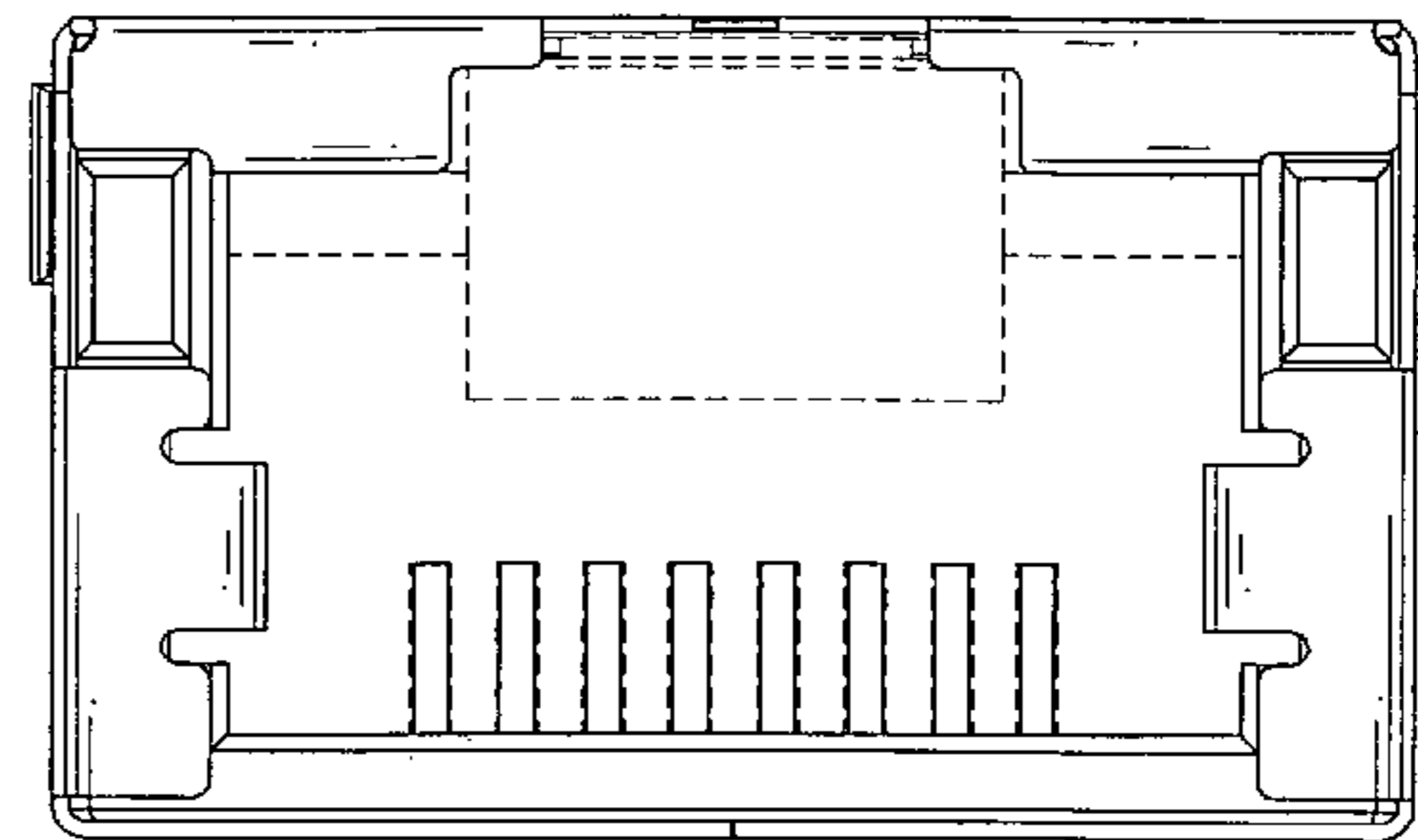
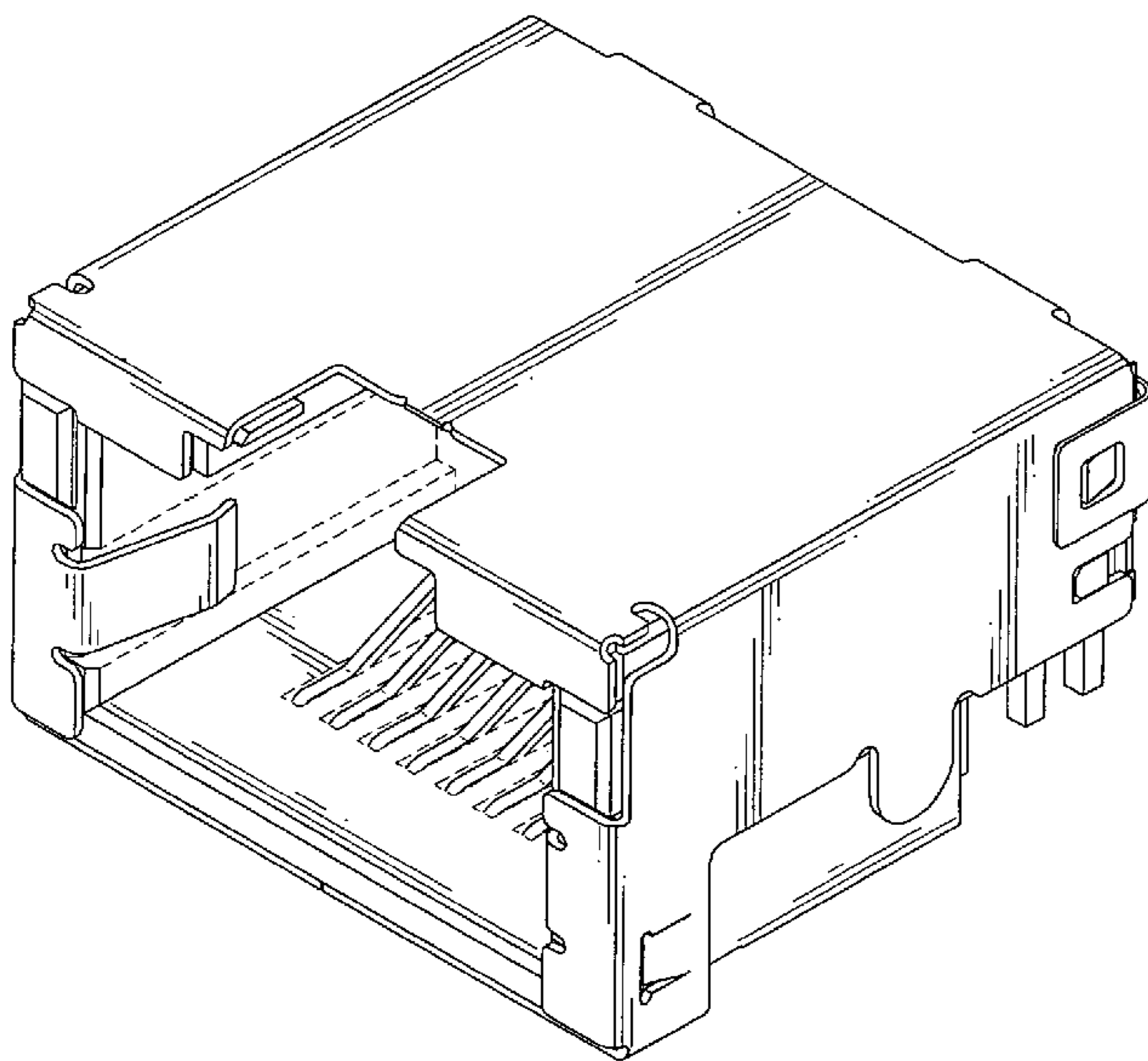
FIG. 6 is a top view thereof;

FIG. 7 is a bottom view thereof; and,

FIG. 8 is another perspective view thereof.

The broken line portion of the figure drawings is included to show unclaimed subject matter only and forms no part of the claimed design.

1 Claim, 5 Drawing Sheets



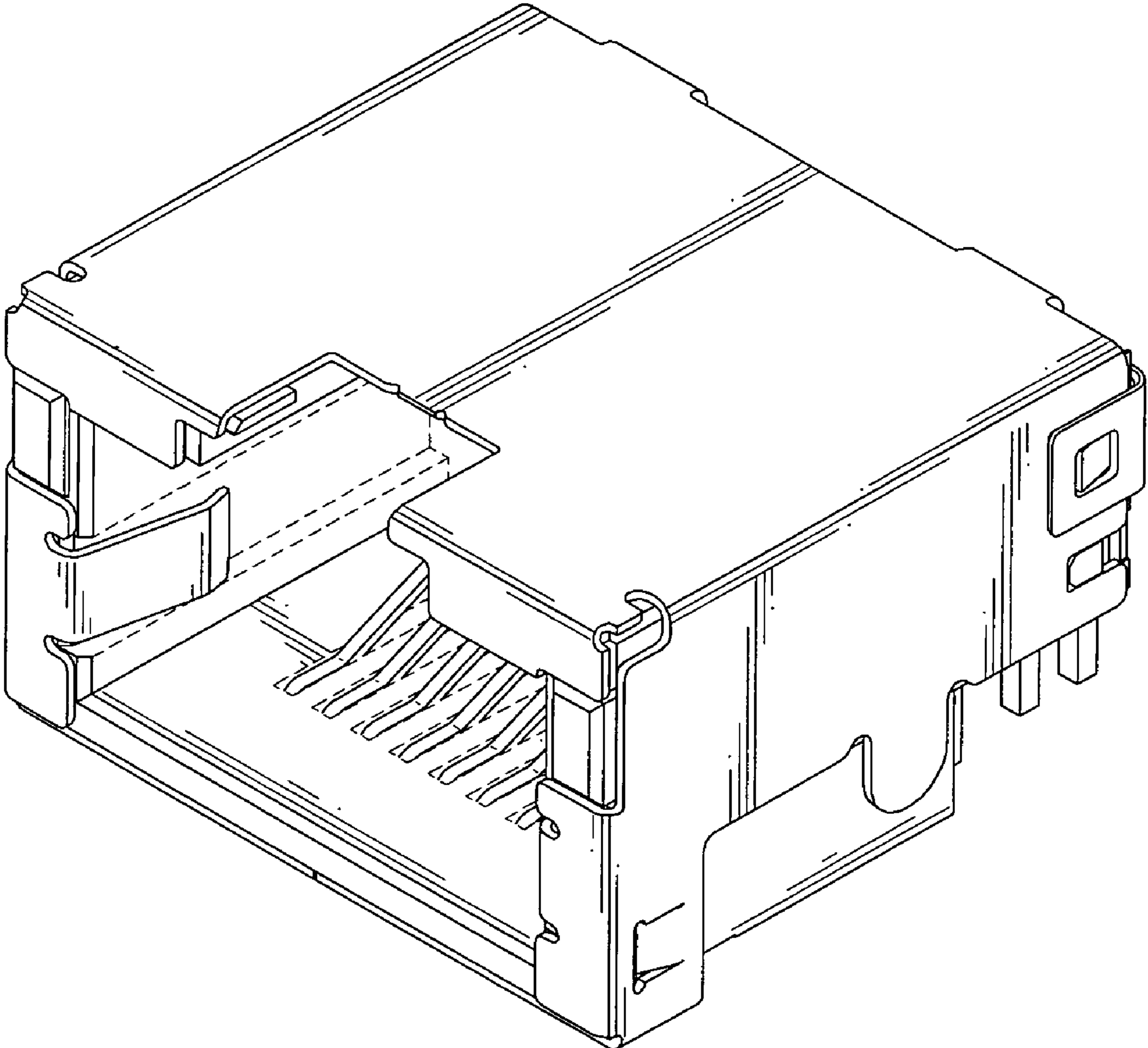


FIG. 1

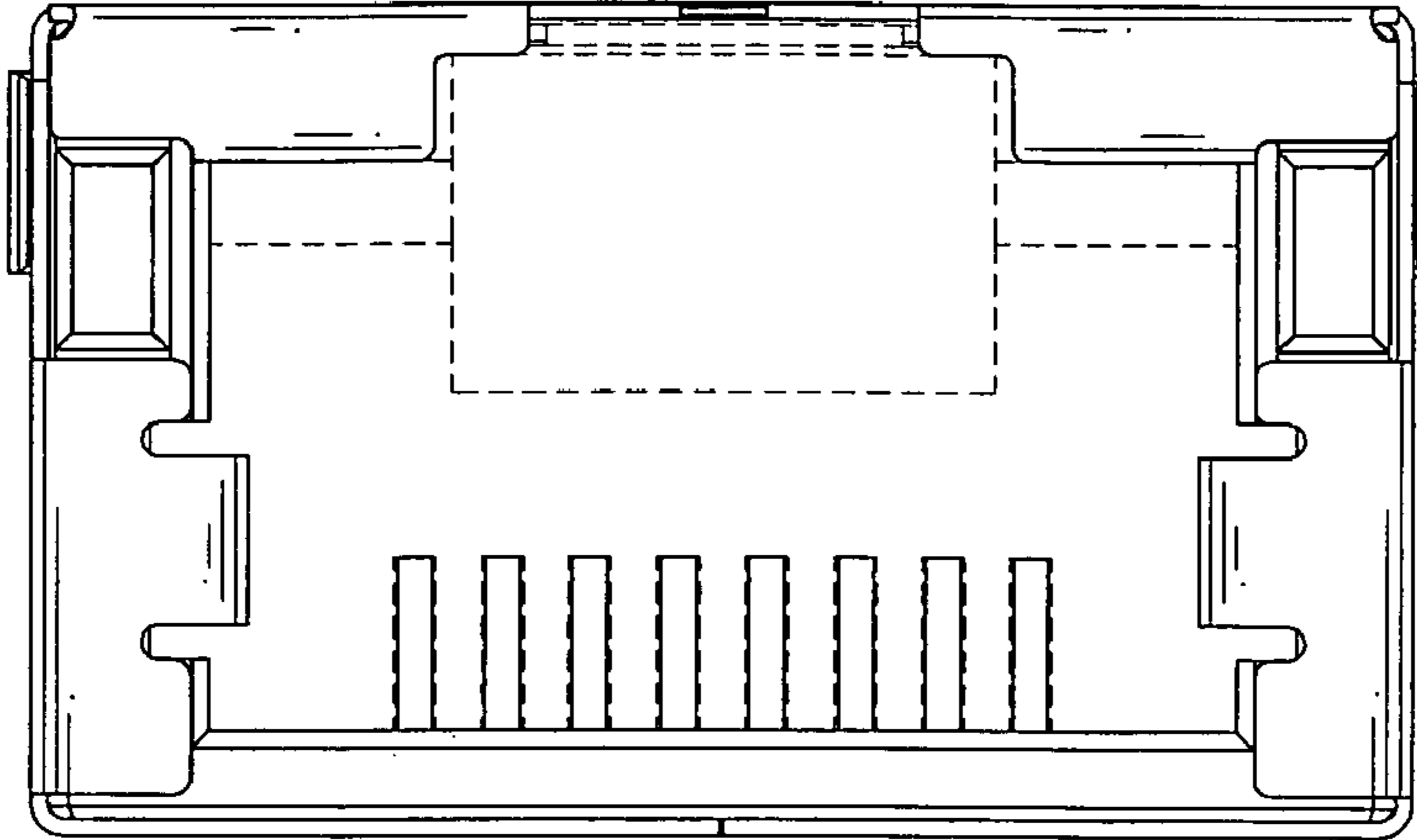


FIG. 2

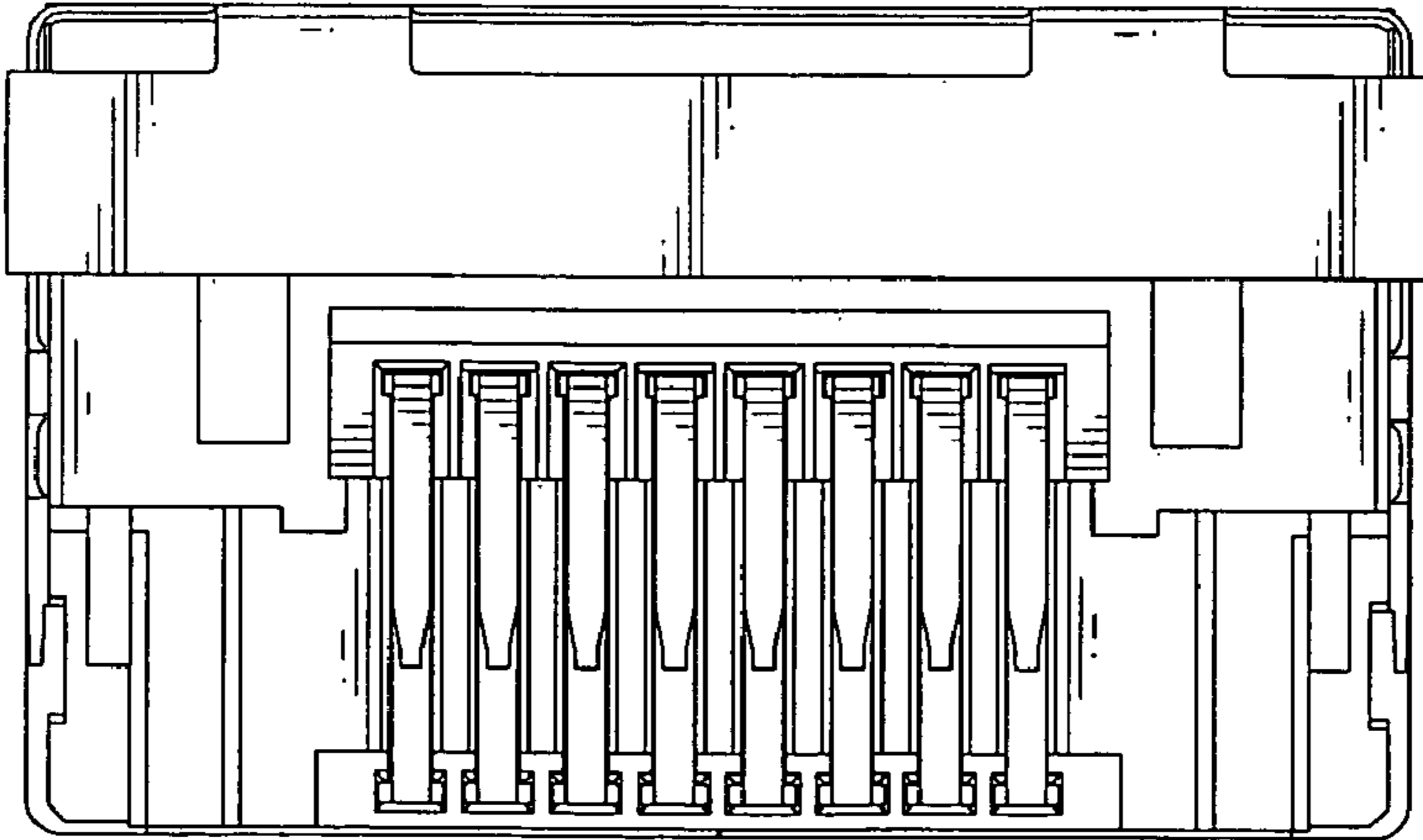


FIG. 3

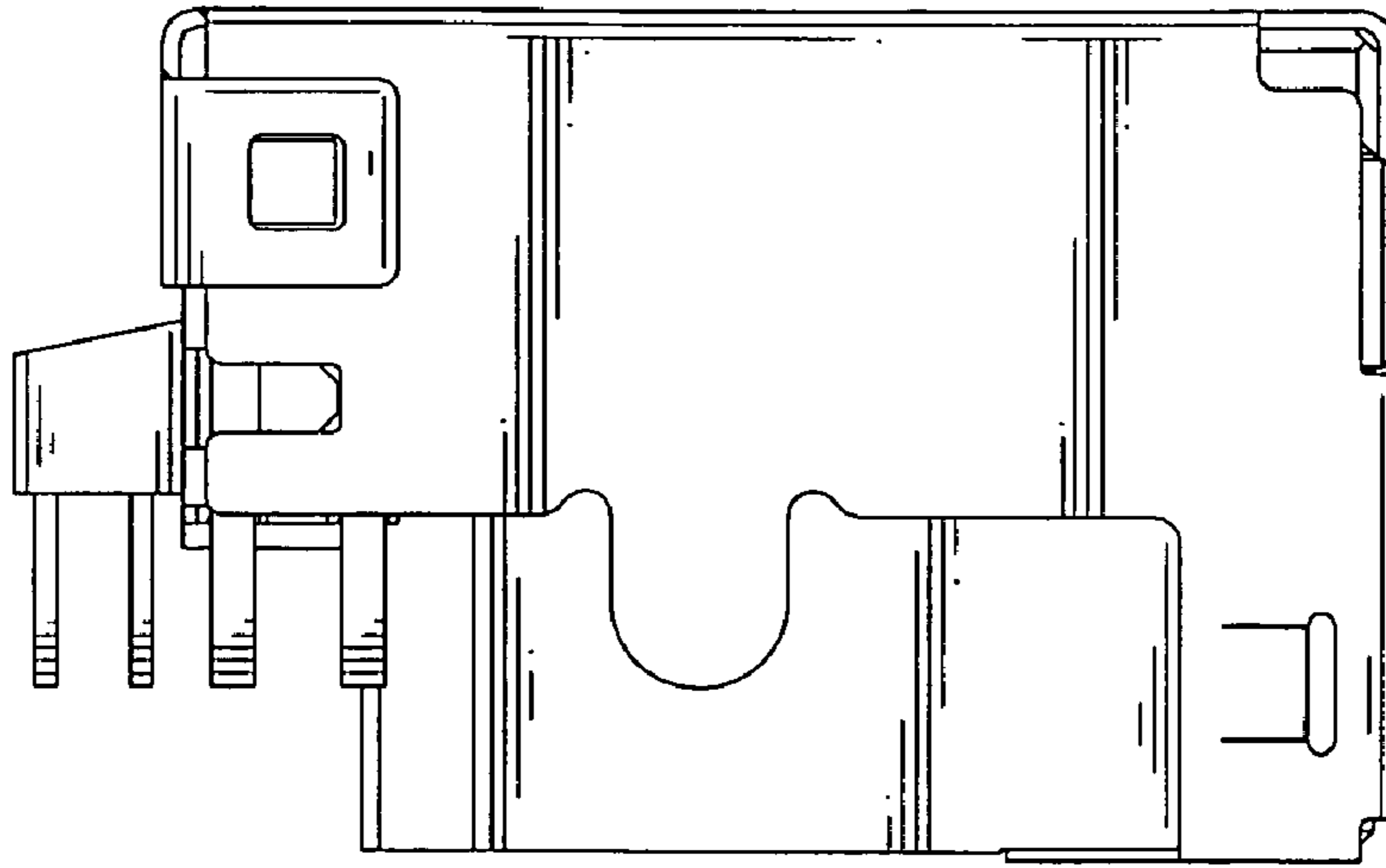


FIG. 4

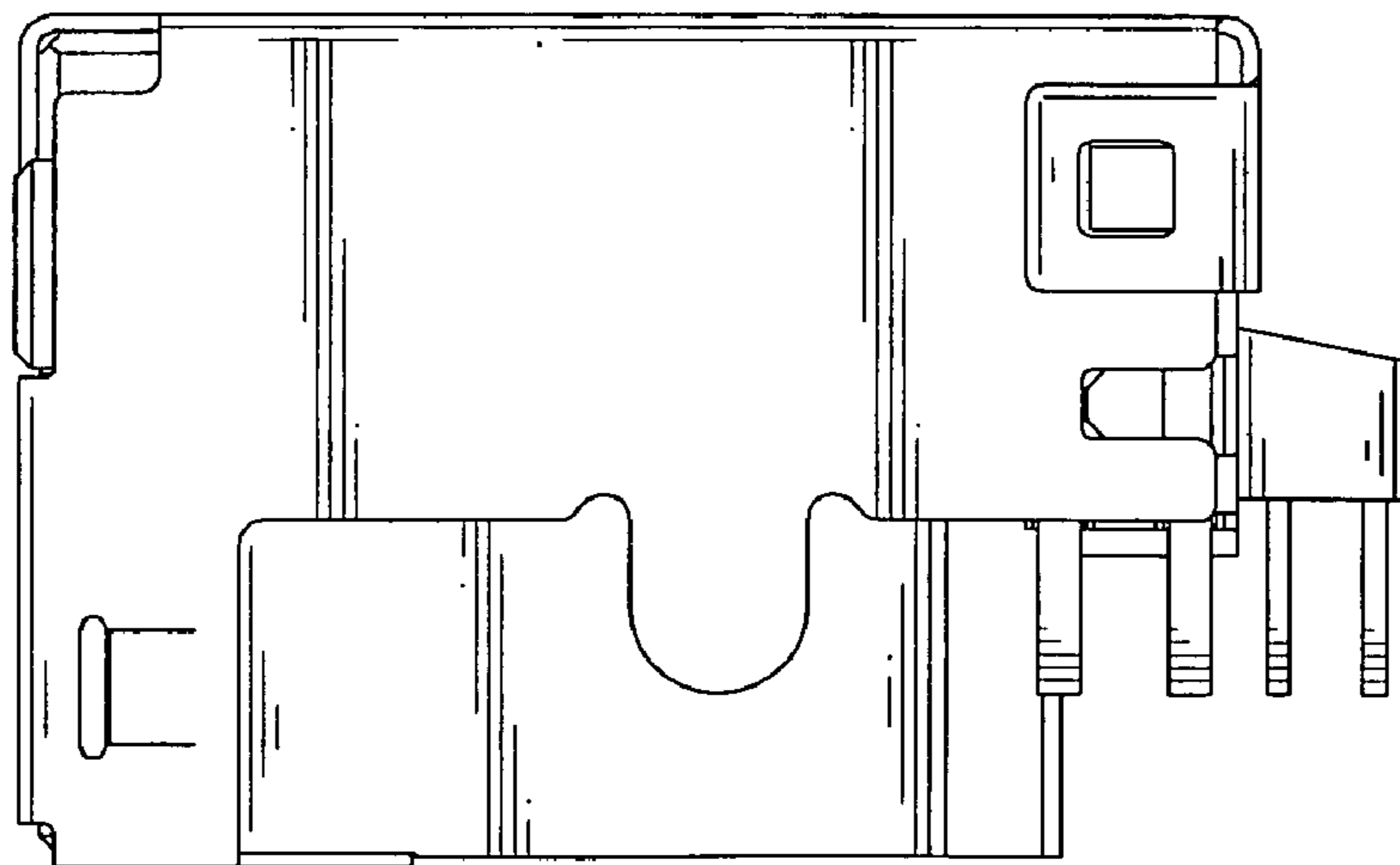


FIG. 5

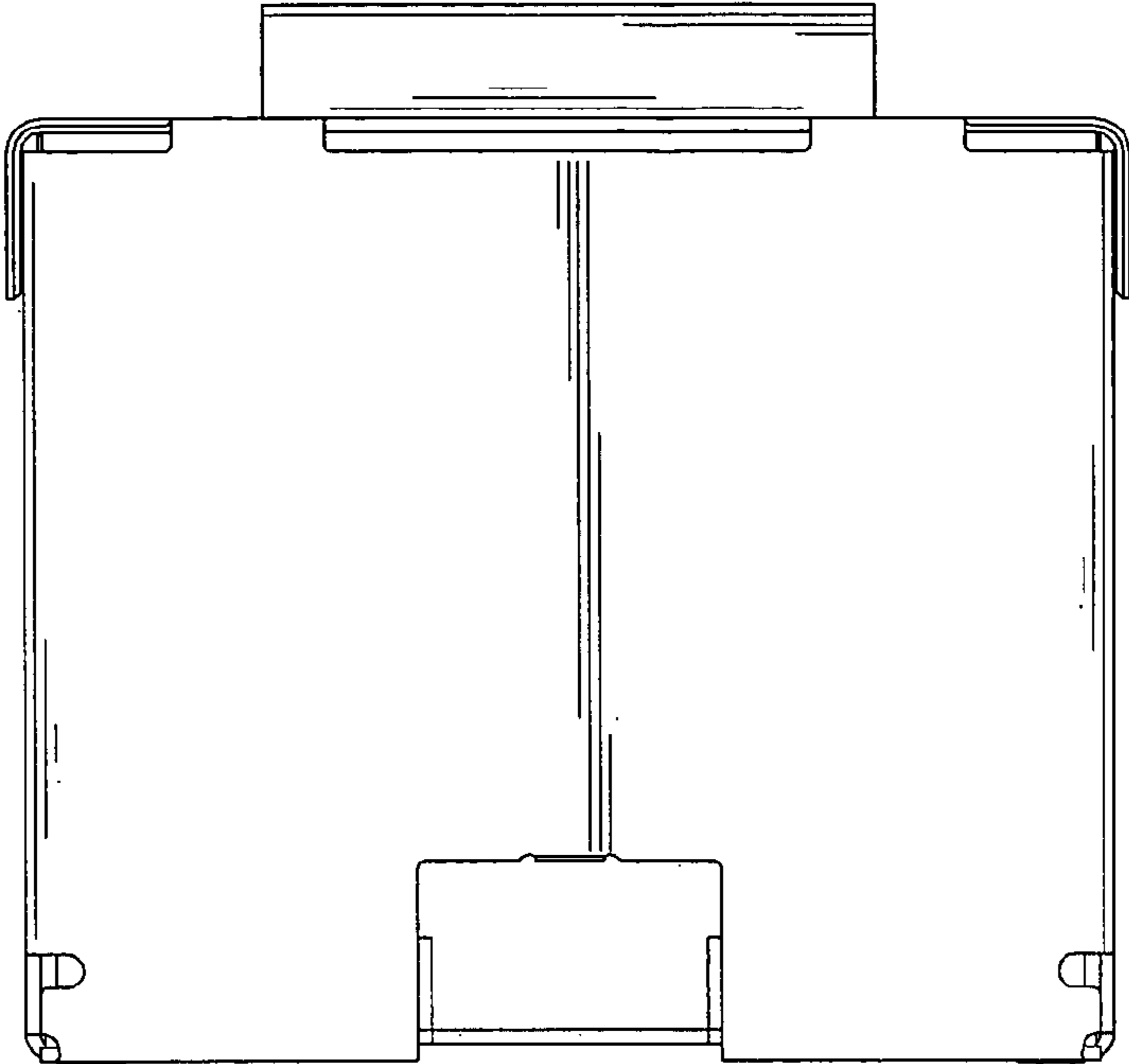


FIG. 6

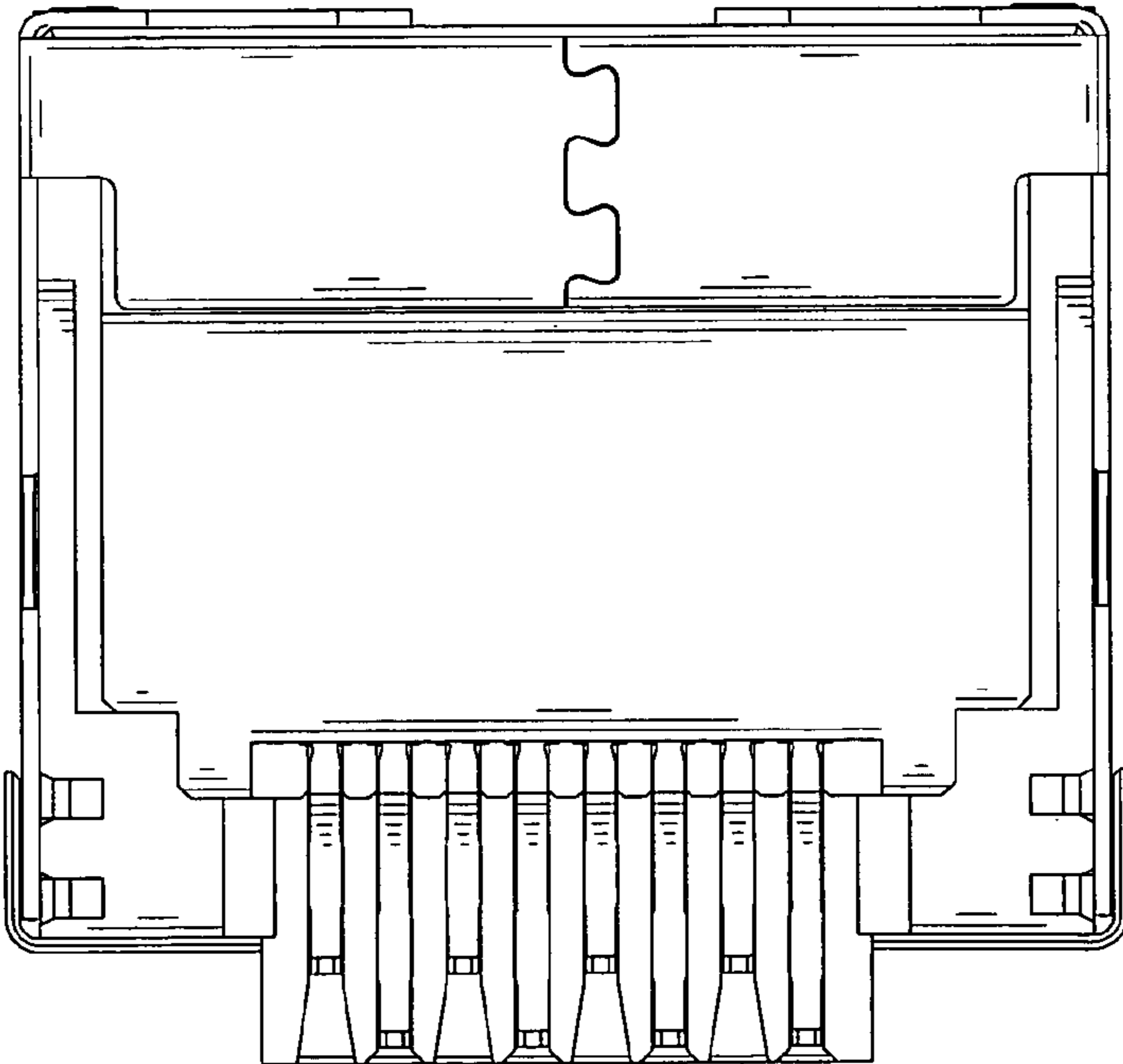


FIG. 7

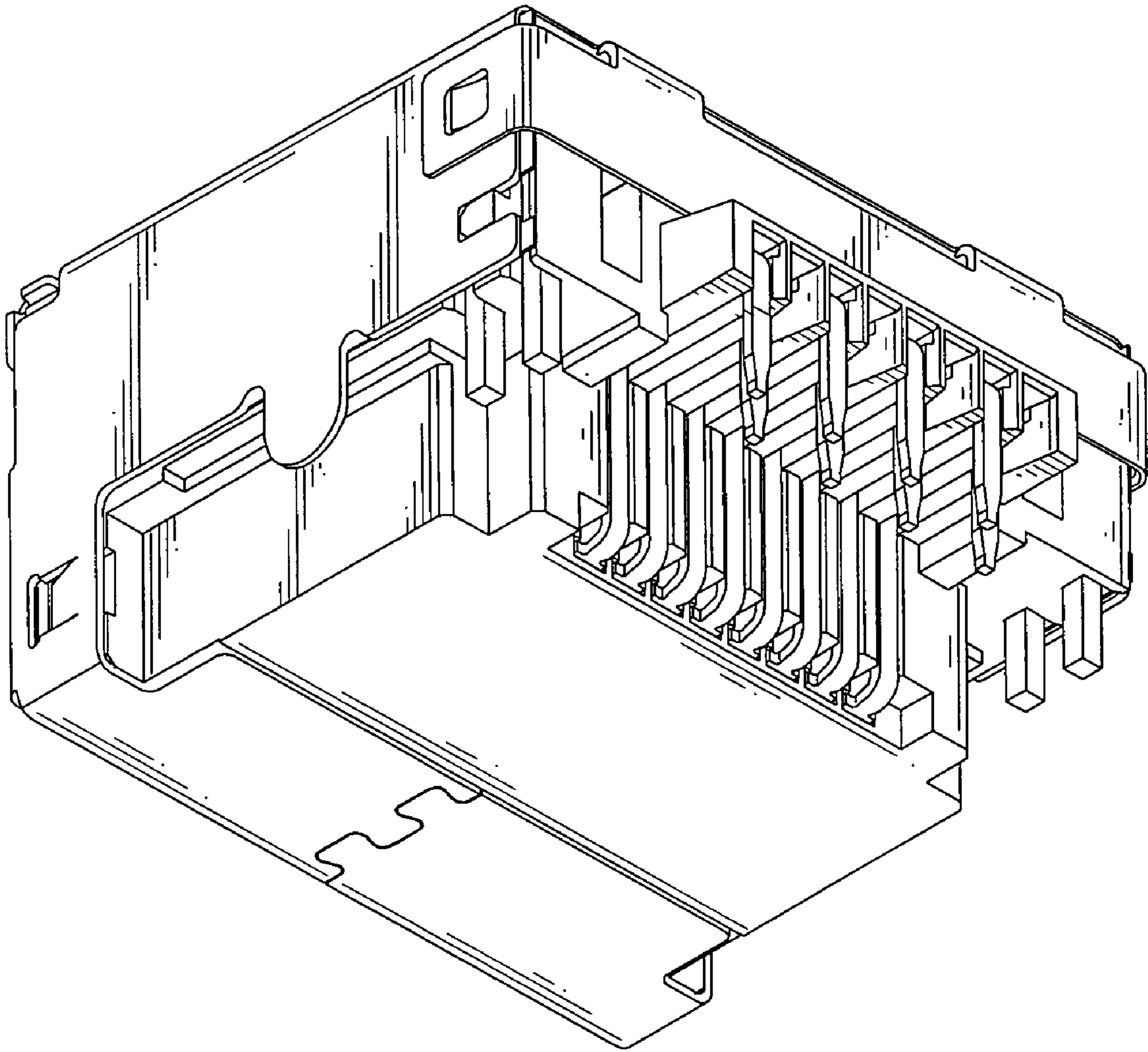


FIG.8