



US00D629752S

(12) **United States Design Patent**  
**Akana et al.**

(10) **Patent No.:** **US D629,752 S**

(45) **Date of Patent:** **\*\* \*Dec. 28, 2010**

(54) **MAGNETIC CONNECTOR**

(75) Inventors: **Jody Akana**, San Francisco, CA (US);  
**Bartley K. Andre**, Menlo Park, CA  
(US); **Jeremy Bataillou**, San Francisco,  
CA (US); **Daniel J. Coster**, San  
Francisco, CA (US); **Daniele De Iuliis**,  
San Francisco, CA (US); **Evans**  
**Hankey**, San Francisco, CA (US);  
**Richard P. Howarth**, San Francisco, CA  
(US); **Jonathan P. Ive**, San Francisco,  
CA (US); **Duncan Robert Kerr**, San  
Francisco, CA (US); **Shin Nishibori**,  
Portola Valley, CA (US); **Matthew Dean**  
**Rohrbach**, San Francisco, CA (US);  
**Peter Russell-Clarke**, San Francisco,  
CA (US); **Christopher J. Stringer**,  
Woodside, CA (US); **Eugene Antony**  
**Whang**, San Francisco, CA (US); **Rico**  
**Zorkendorfer**, San Francisco, CA (US)

(73) Assignee: **Apple Inc.**, Cupertino, CA (US)

(\*\*) Term: **14 Years**

(21) Appl. No.: **29/345,272**

(22) Filed: **Oct. 13, 2009**

(51) **LOC (9) Cl.** ..... **13-03**

(52) **U.S. Cl.** ..... **D13/147**

(58) **Field of Classification Search** ..... D13/133,  
D13/146-147, 154, 184; 439/350, 352, 439,  
439/447, 582, 583, 607-610, 660, 677, 680,  
439/682

See application file for complete search history.

(56) **References Cited**

**U.S. PATENT DOCUMENTS**

D314,745 S \* 2/1991 Southoff ..... D13/133  
D451,073 S 11/2001 Yasuda et al.  
D471,155 S 3/2003 Cheng  
D506,439 S 6/2005 Wang  
D546,768 S 7/2007 Sengupta et al.

D580,360 S 11/2008 Vitito  
D580,866 S 11/2008 Vitito  
7,540,773 B2 6/2009 Ko  
D595,654 S 7/2009 Andre et al.  
D601,091 S \* 9/2009 Hyland et al. .... D13/146  
D607,831 S \* 1/2010 Andre et al. .... D13/154  
2007/0072442 A1 3/2007 DiFonzo et al.  
2007/0072443 A1 3/2007 Rohrbach et al.  
2008/0132126 A1 \* 6/2008 Hyland et al. .... 439/810

**OTHER PUBLICATIONS**

Apple Inc., MacBook Pro, www.apple.com, available as early as Jan. 14, 2006.

U.S. Appl. No. 29/345,127 entitled "Connector" filed Oct. 9, 2009.

U.S. Appl. No. 29/351,307 entitled "Connector" filed Dec. 3, 2009.

\* cited by examiner

*Primary Examiner*—Daniel D Bui

(74) *Attorney, Agent, or Firm*—SAIDMAN DesignLaw Group

(57) **CLAIM**

The ornamental design for a magnetic connector, as shown and described.

**DESCRIPTION**

FIG. 1 is a bottom, side perspective view of a magnetic connector showing our new design;

FIG. 2 is top, side perspective view thereof;

FIG. 3 is a front view thereof;

FIG. 4 is a rear view thereof;

FIG. 5 is a left-side view thereof;

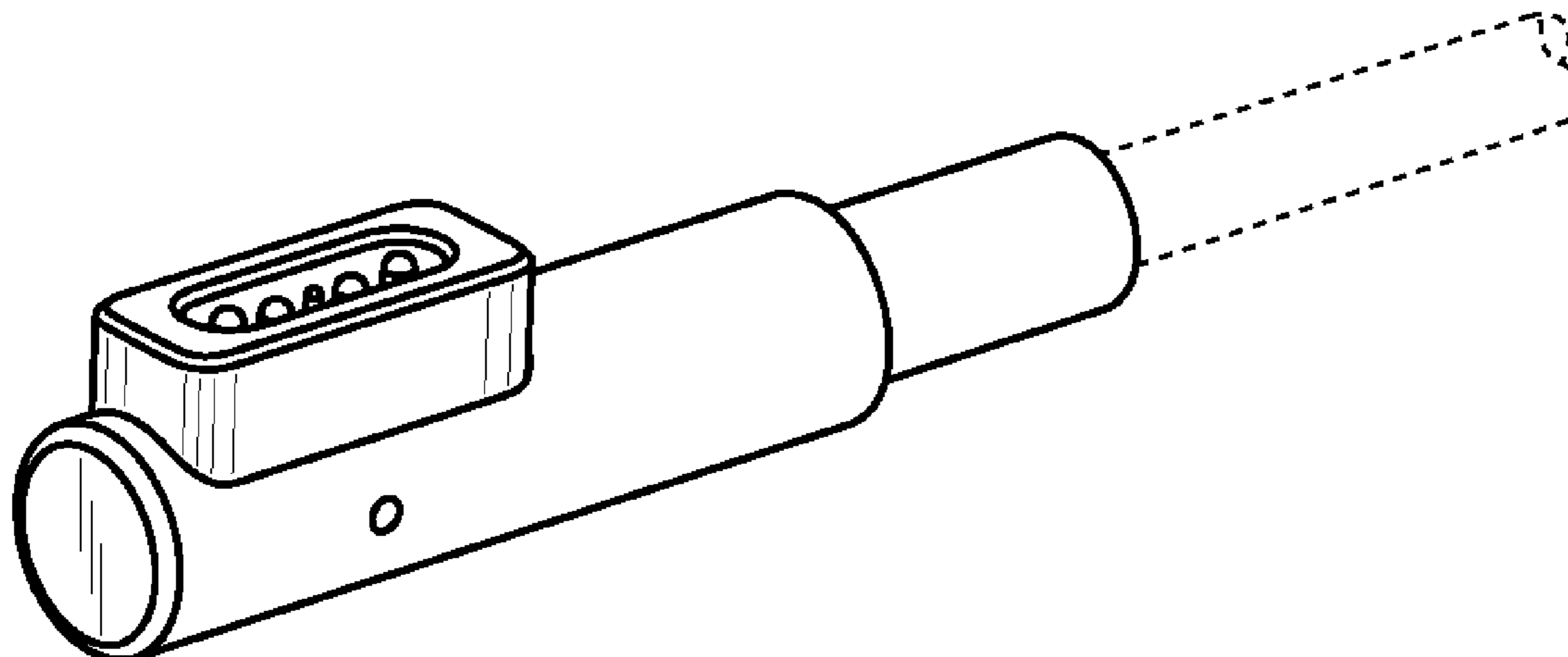
FIG. 6 is a right-side view thereof;

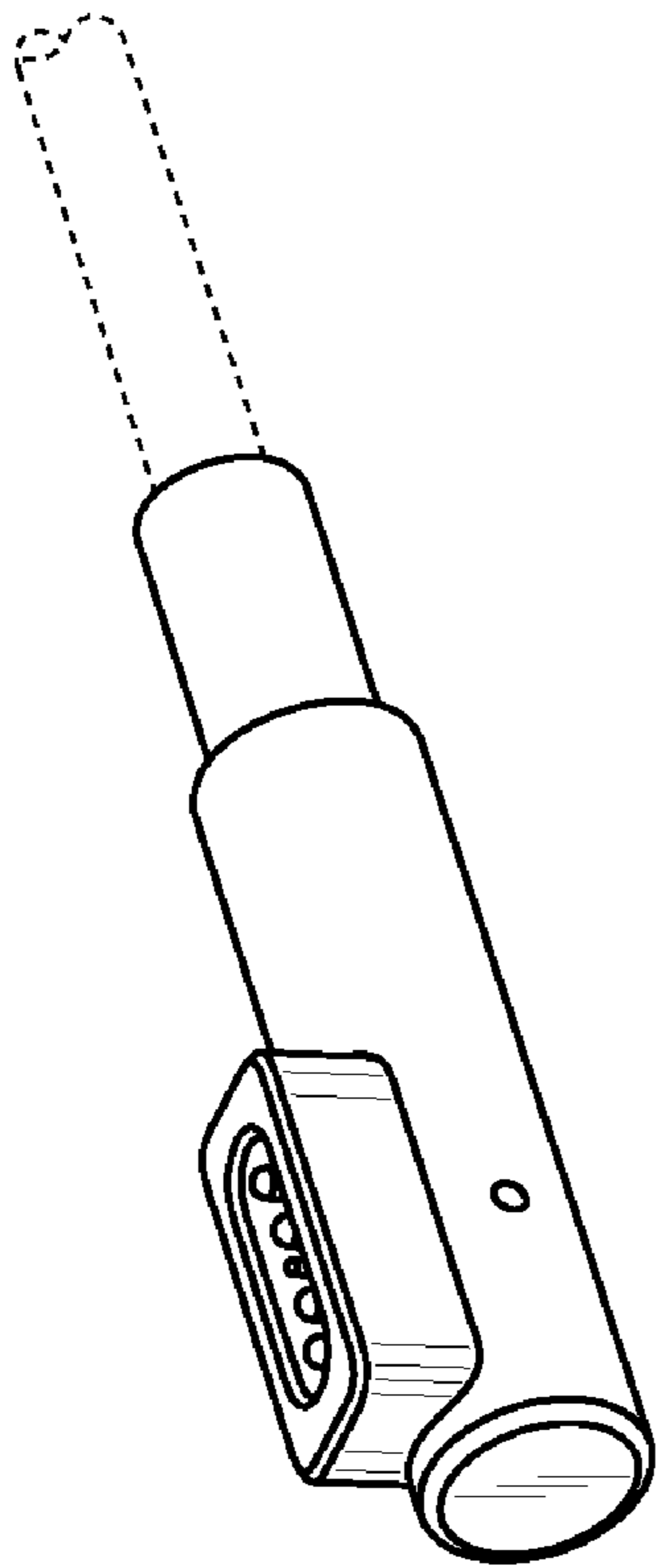
FIG. 7 is a bottom view thereof; and,

FIG. 8 is top view thereof.

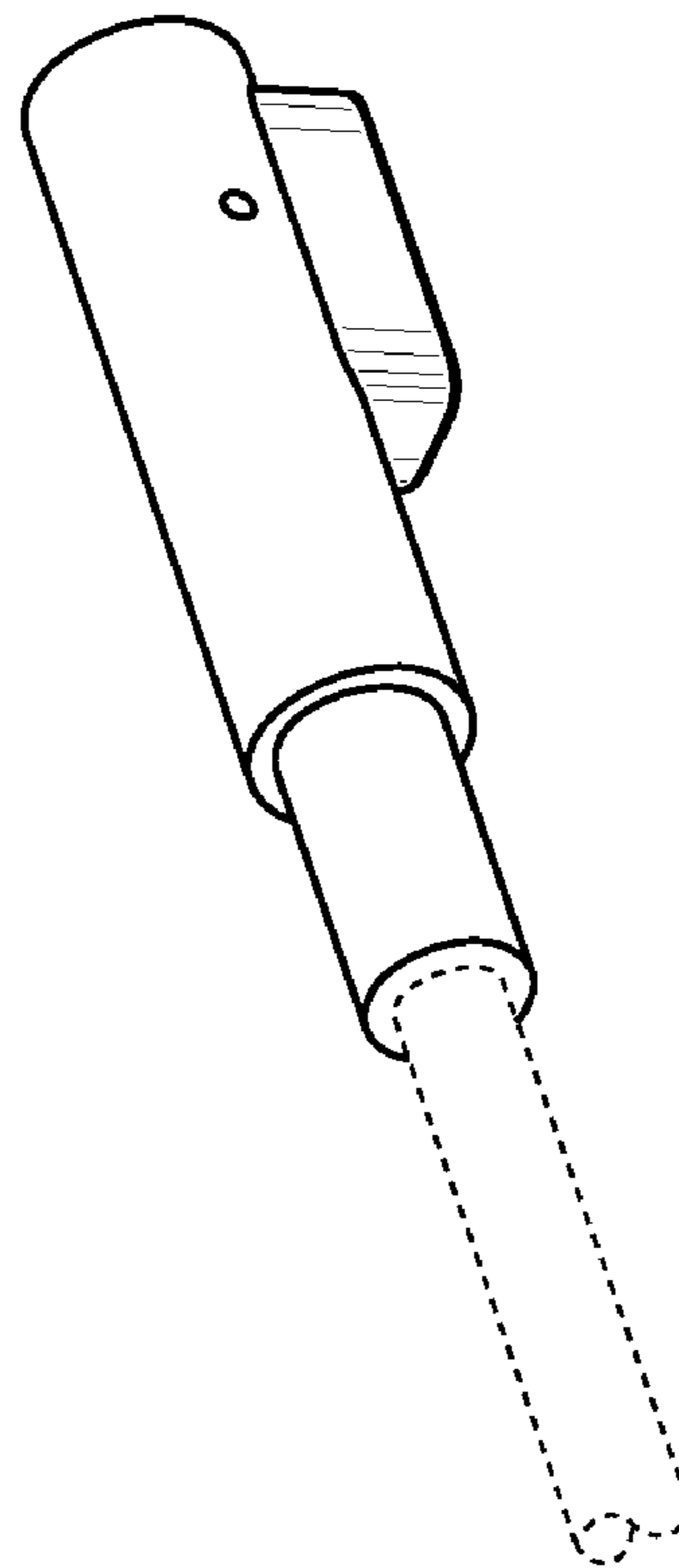
The dashed broken lines illustrate environmental structure and form no part of the claimed design. The light gray shade lines on the surface portions indicate contour and not surface decoration.

**1 Claim, 3 Drawing Sheets**

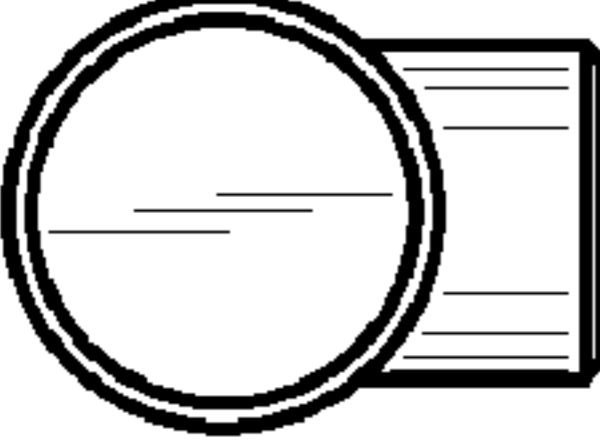




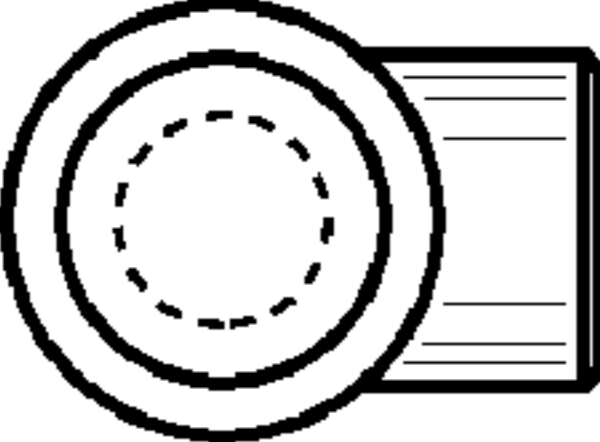
**Fig. 1**



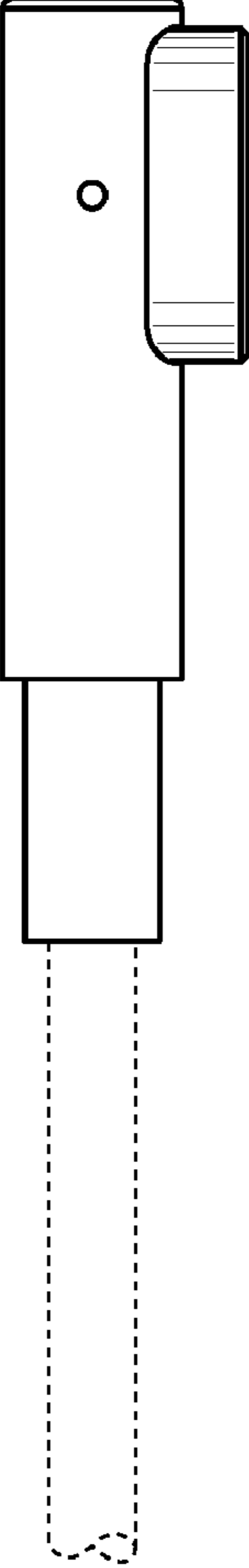
**Fig. 2**



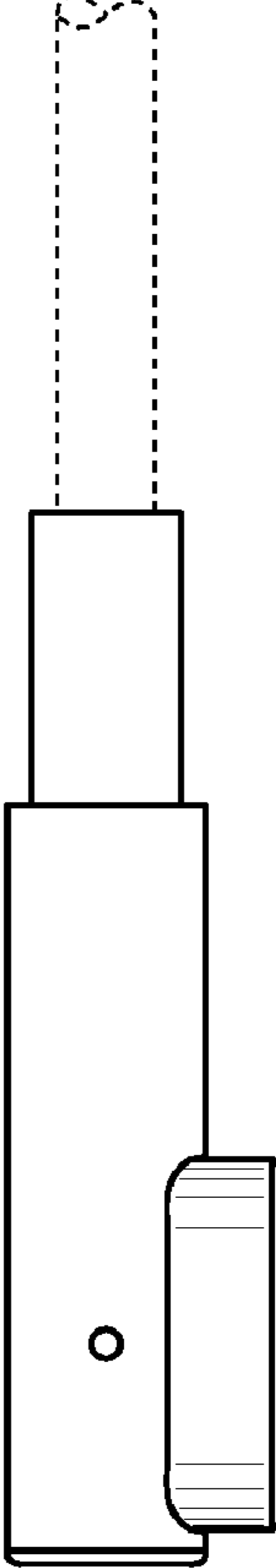
**Fig. 3**



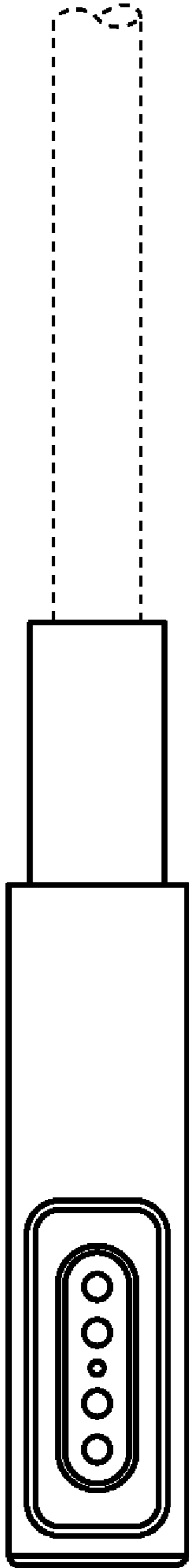
**Fig. 4**



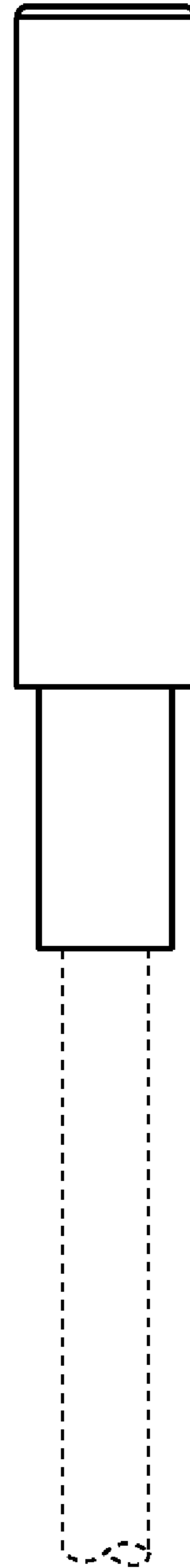
**Fig. 5**



**Fig. 6**



**Fig. 7**



**Fig. 8**