



US00D629751S

(12) **United States Design Patent**  
**Byrne**

(10) **Patent No.:** **US D629,751 S**

(45) **Date of Patent:** **\*\* Dec. 28, 2010**

(54) **MALE BLADE CONNECTOR WITH KEYED ARRANGEMENT**

(76) Inventor: **Norman R. Byrne**, 2736 Honey Creek, NE., Ada, MI (US) 49301

(\*\*) Term: **14 Years**

(21) Appl. No.: **29/354,054**

(22) Filed: **Jan. 19, 2010**

(51) **LOC (9) Cl.** ..... **13-03**

(52) **U.S. Cl.** ..... **D13/146; D13/147**

(58) **Field of Classification Search** ..... D13/147,  
D13/154, 184; 439/266, 345, 350, 352, 357-358,  
439/476.1, 595, 660, 680, 682, 752  
See application file for complete search history.

(56) **References Cited**

**U.S. PATENT DOCUMENTS**

D474,746 S *	5/2003	Rupert	.....	D13/147
D510,908 S *	10/2005	Byrne	.....	D13/147
D531,959 S *	11/2006	Kondas	.....	D13/147
D531,960 S *	11/2006	Kondas	.....	D13/147
D580,370 S *	11/2008	Ramsey	.....	D13/154
D581,366 S *	11/2008	Knepper	.....	D13/154
D611,913 S *	3/2010	Rupert	.....	D13/154

\* cited by examiner

*Primary Examiner*—Daniel D Bui  
(74) *Attorney, Agent, or Firm*—Varnum LLP

(57) **CLAIM**

I claim, the ornamental male blade connector with keyed arrangement, as shown and described.

**DESCRIPTION**

FIG. 1 is a front elevation view of a first embodiment of a male blade connector with keyed arrangement showing my new design;

FIG. 2 is a top, front and right side perspective view thereof;

FIG. 3 is a top plan view thereof;

FIG. 4 is a right side elevation view thereof;

FIG. 5 is a front elevation view of a second embodiment of a male blade connector with keyed arrangement showing my new design;

FIG. 6 is a top, front and right side perspective view thereof;

FIG. 7 is a top plan view thereof;

FIG. 8 is a right side elevation view thereof;

FIG. 9 is a front elevation view of a third embodiment of a male blade connector with keyed arrangement showing my new design;

FIG. 10 is a top, front and right side perspective view thereof;

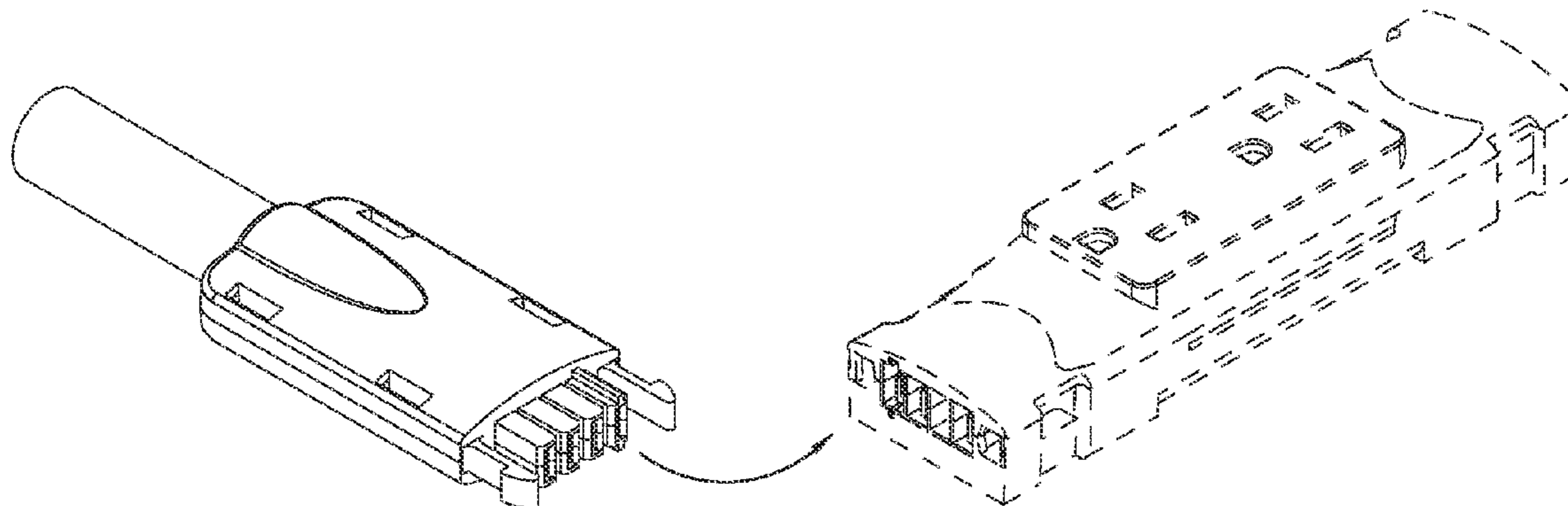
FIG. 11 is a top plan view thereof;

FIG. 12 is a right side elevation view thereof; and,

FIG. 13 is a top, front and right side perspective view of the first embodiment of a male blade connector with keyed arrangement showing its position prior to being connected with a female connector.

The broken line shown in FIG. 13 is included for the purpose of illustrating environment and forms no part of the claimed design.

**1 Claim, 4 Drawing Sheets**



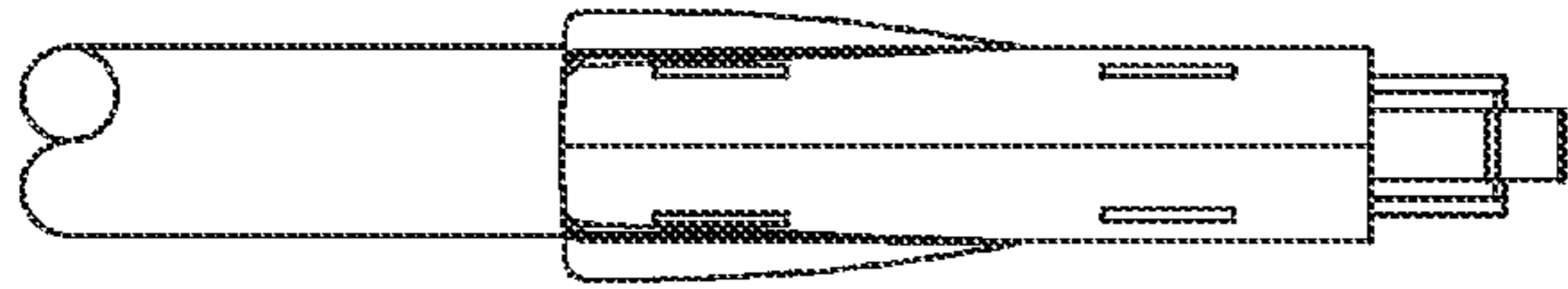


Fig. 1

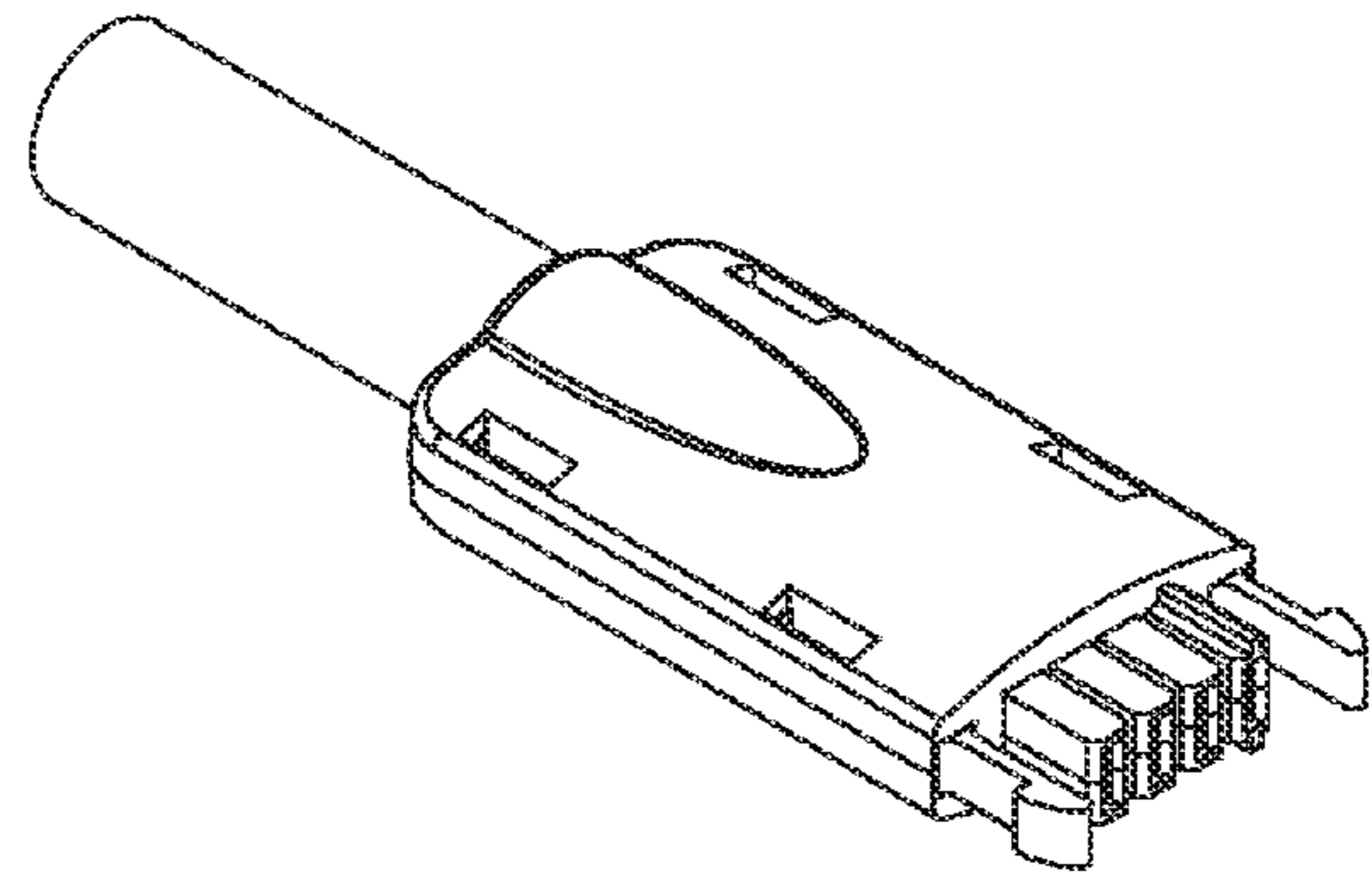


Fig. 2

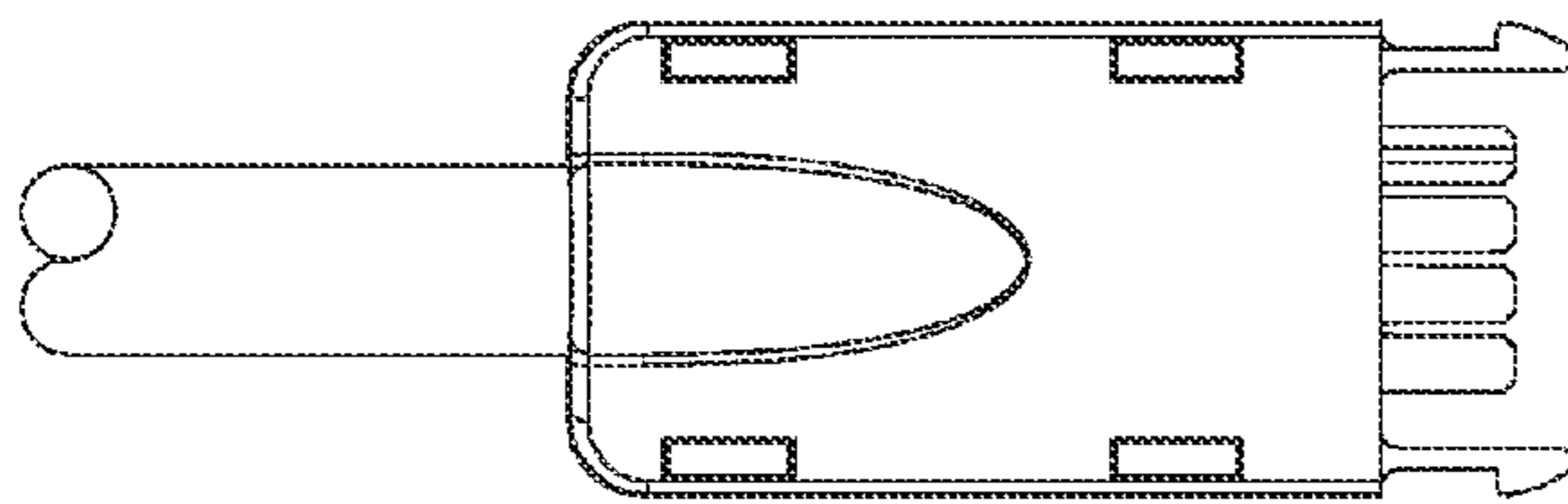


Fig. 3

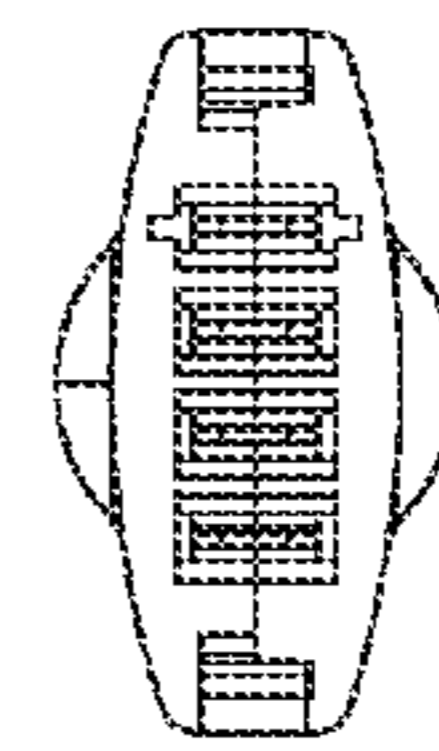


Fig. 4

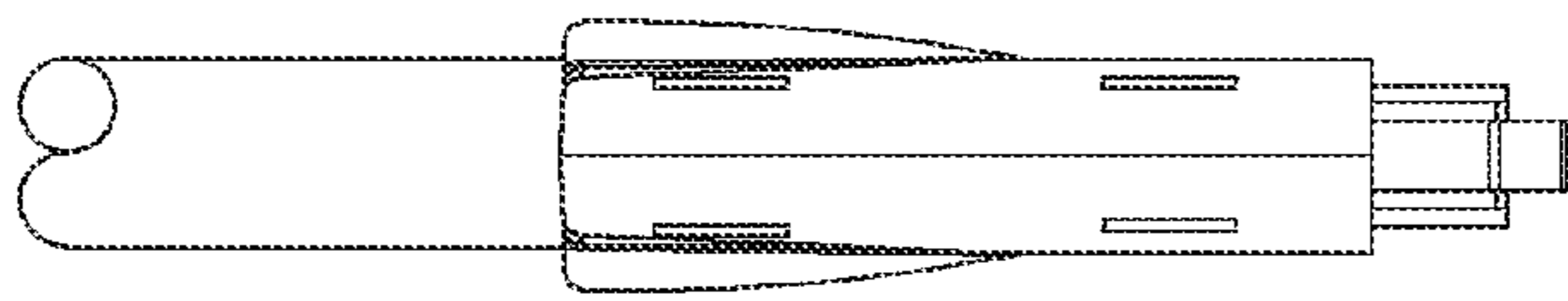


Fig. 5

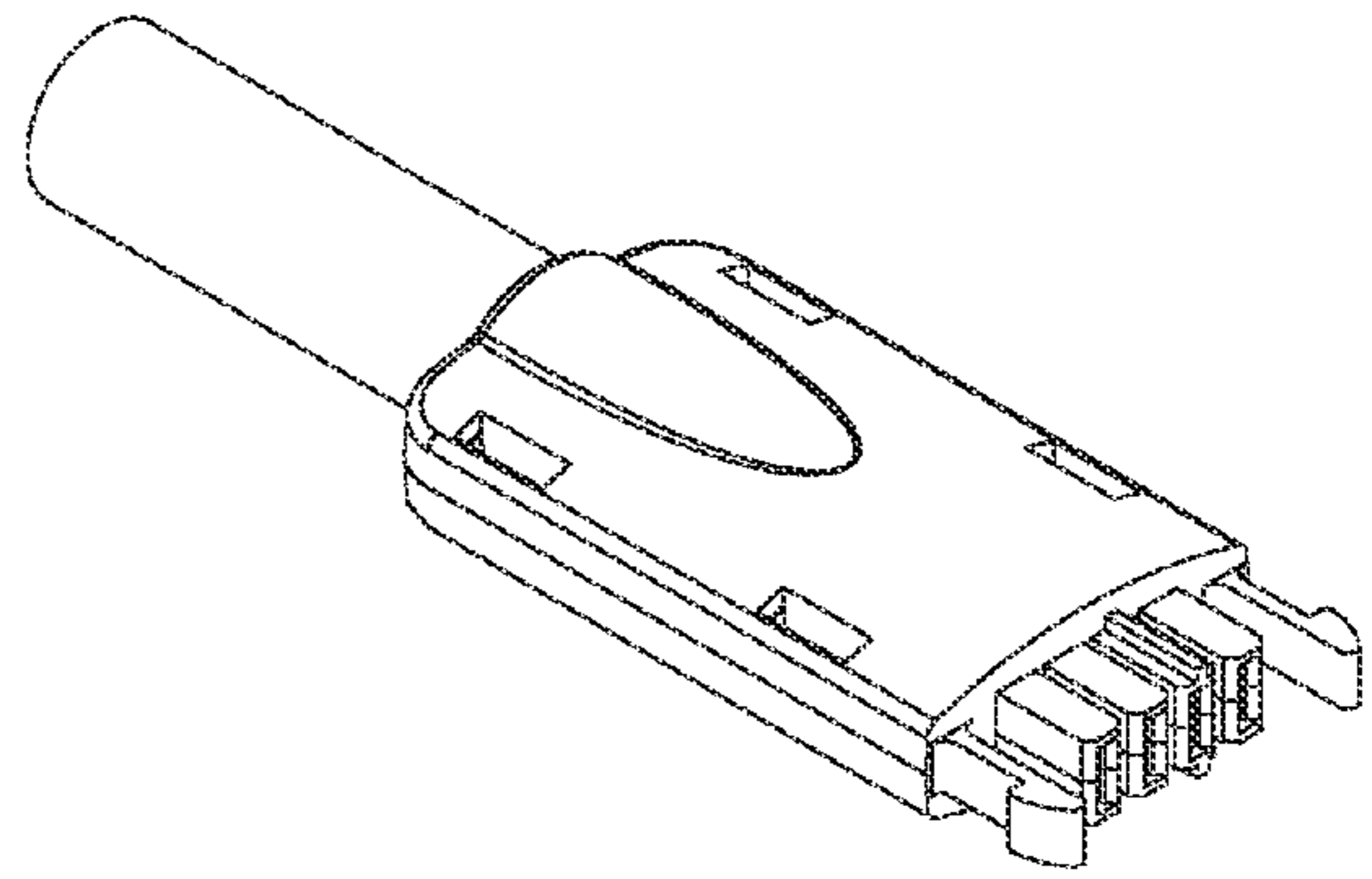


Fig. 6

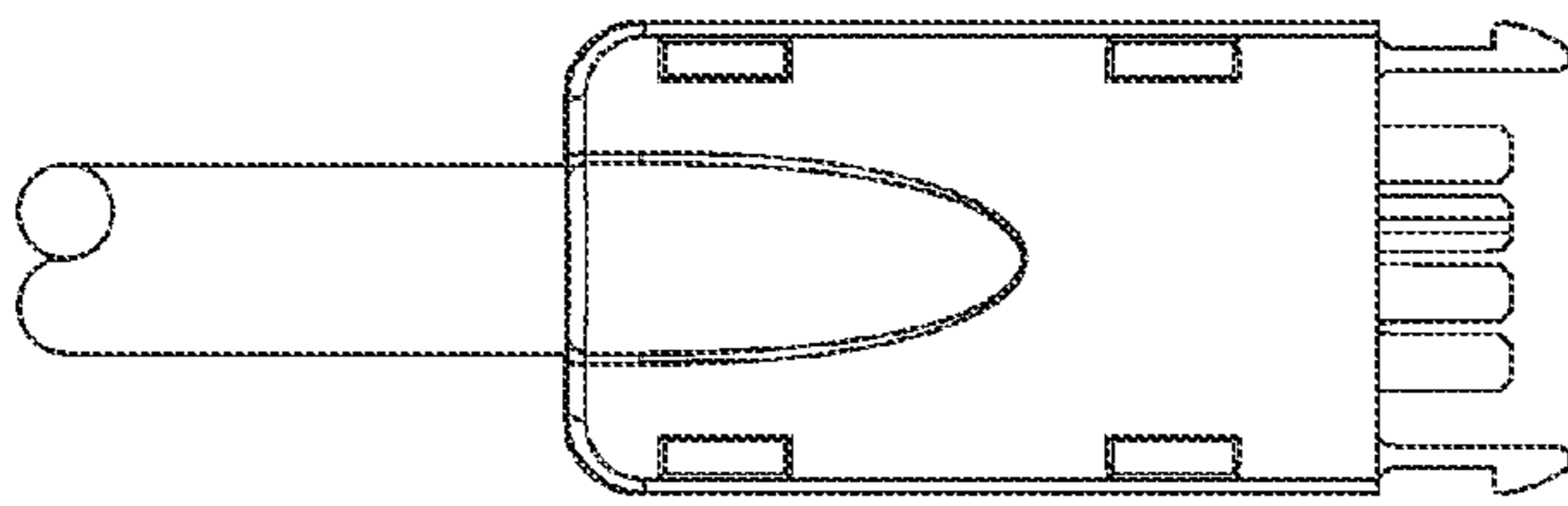


Fig. 7

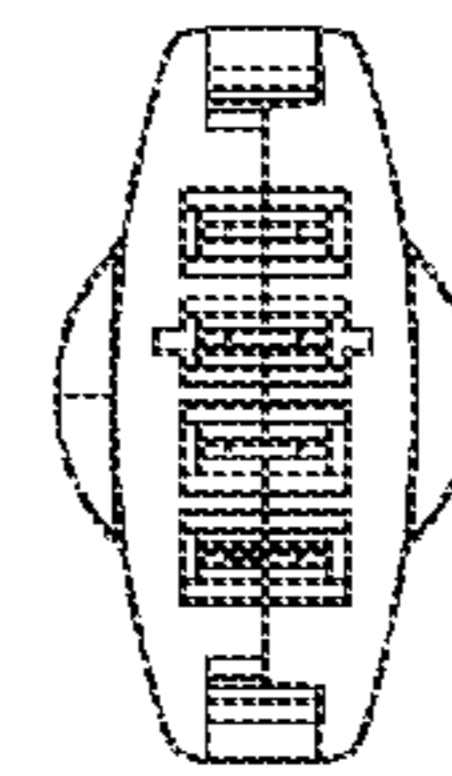


Fig. 8

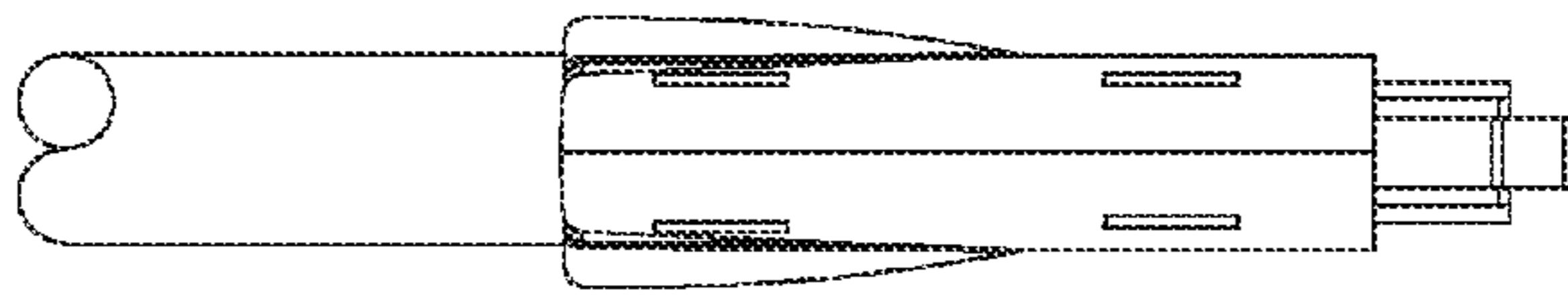


Fig. 9

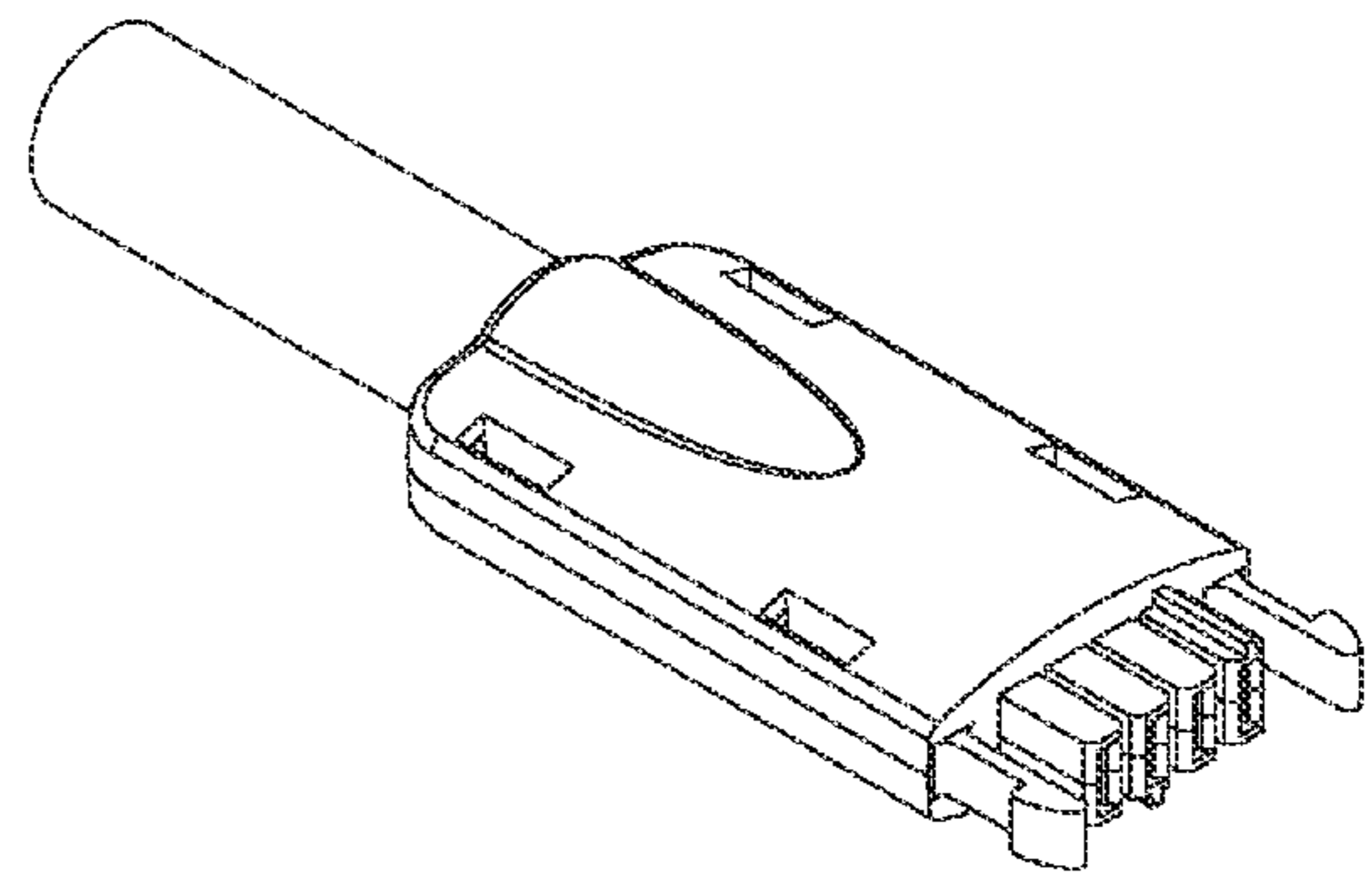


Fig. 10

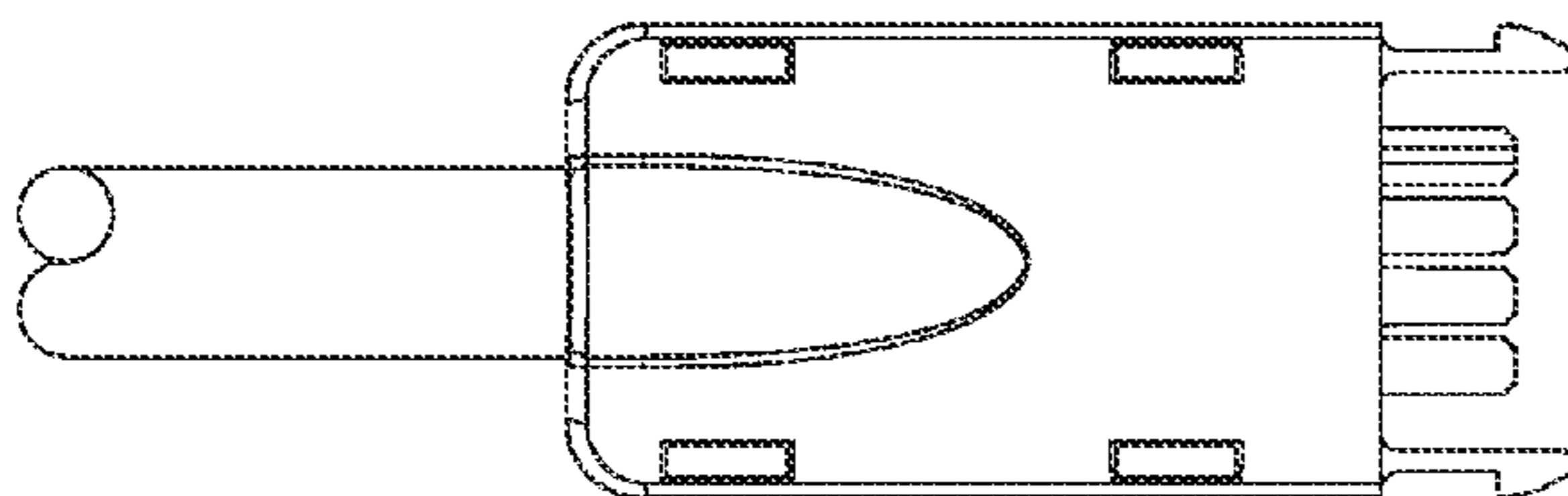


Fig. 11

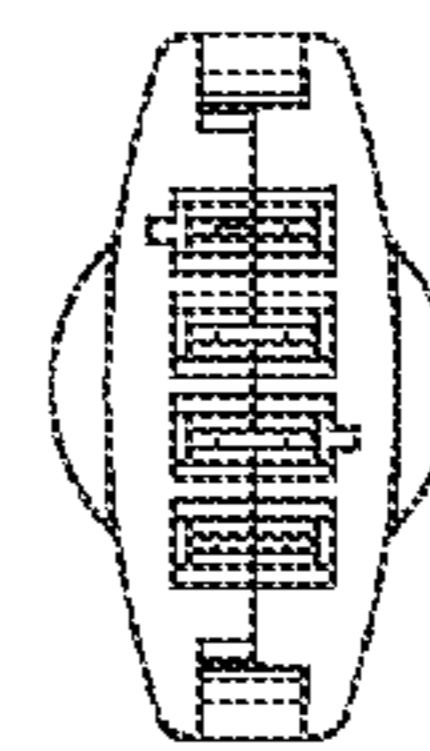


Fig. 12

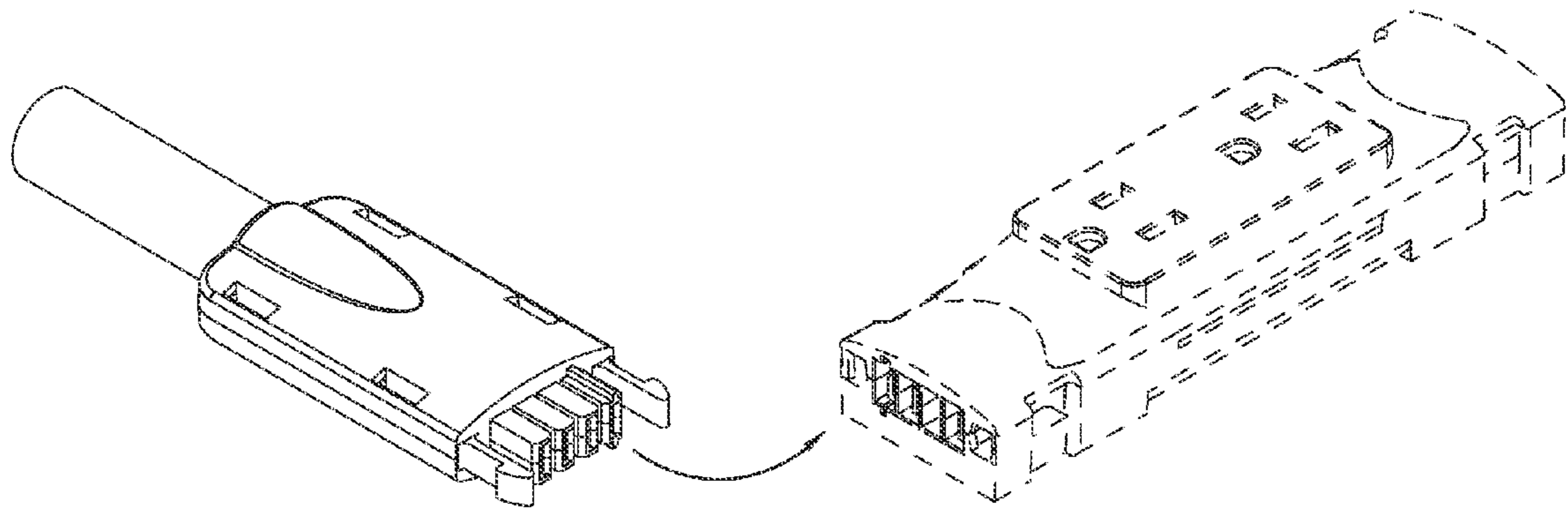


Fig. 13