



US00D629750S

(12) **United States Design Patent**
Lamoureux et al.

(10) **Patent No.:** **US D629,750 S**
(45) **Date of Patent:** **** Dec. 28, 2010**

(54) **MULTI-PURPOSE ELECTRICAL OUTLET**

(75) Inventors: **John E. Lamoureux**, Plainfield, CT (US); **Feng Jin**, Milford, CT (US); **Nathaniel L. Herring**, Mystic, CT (US)

(73) Assignee: **Hubbell Incorporated**, Shelton, CT (US)

(**) Term: **14 Years**

(21) Appl. No.: **29/347,917**

(22) Filed: **Jul. 29, 2010**

D269,969 S	8/1983	Doyle et al.	
4,892,212 A	1/1990	Andreyko	
5,117,122 A	5/1992	Hogarth et al.	
5,243,134 A	9/1993	Nattel et al.	
5,290,175 A	3/1994	Robinson et al.	
5,354,953 A	10/1994	Nattel et al.	
5,419,716 A	5/1995	Sciammarella et al.	
5,424,587 A	6/1995	Federowicz	
5,486,650 A	1/1996	Yetter	
5,574,256 A	11/1996	Cottone	
5,594,207 A	1/1997	Fabian et al.	
5,599,190 A	2/1997	Willette	
D413,862 S *	9/1999	Huang et al.	D13/139.3
D419,531 S *	1/2000	Keung et al.	D13/160

Related U.S. Application Data

(60) Division of application No. 29/347,205, filed on Oct. 23, 2009, now Pat. No. Des. 623,596, which is a continuation of application No. 11/896,283, filed on Aug. 30, 2007, now Pat. No. 7,618,284.

(51) **LOC (9) Cl.** **13-03**

(52) **U.S. Cl.** **D13/139.1**

(58) **Field of Classification Search** D13/138.1, D13/138.2, 139.1, 139.2, 139.3, 139.4, 139.5, D13/139.6, 139.7, 139.8, 137.1, 137.2, 137.3, D13/137.4, 107, 108, 110, 133, 146, 151, D13/152, 153, 156, 162, 162.1, 163, 171, D13/177, 154; 174/66, 202, 206, 53, 59, 174/60; 363/146, 15, 34; 320/111, 114, 320/115; 439/108, 172, 173, 344, 373; D8/350, D8/352, 353

See application file for complete search history.

(56) **References Cited**

U.S. PATENT DOCUMENTS

2,506,212 A	5/1950	Grohsgal	
2,675,527 A	4/1954	Hartranft	
3,371,149 A	2/1968	Maxled	
3,472,945 A	10/1969	Trachtenberg	
4,084,203 A	4/1978	Dietz et al.	
4,237,435 A	12/1980	Cooper et al.	
D269,341 S *	6/1983	Doyle et al.	D13/139.3
D269,509 S	6/1983	Doyle et al.	

(Continued)

Primary Examiner—Angela J Lee

(74) *Attorney, Agent, or Firm*—Alan I. Cantor; Mark S. Bicks; Alfred N. Goodman

(57) **CLAIM**

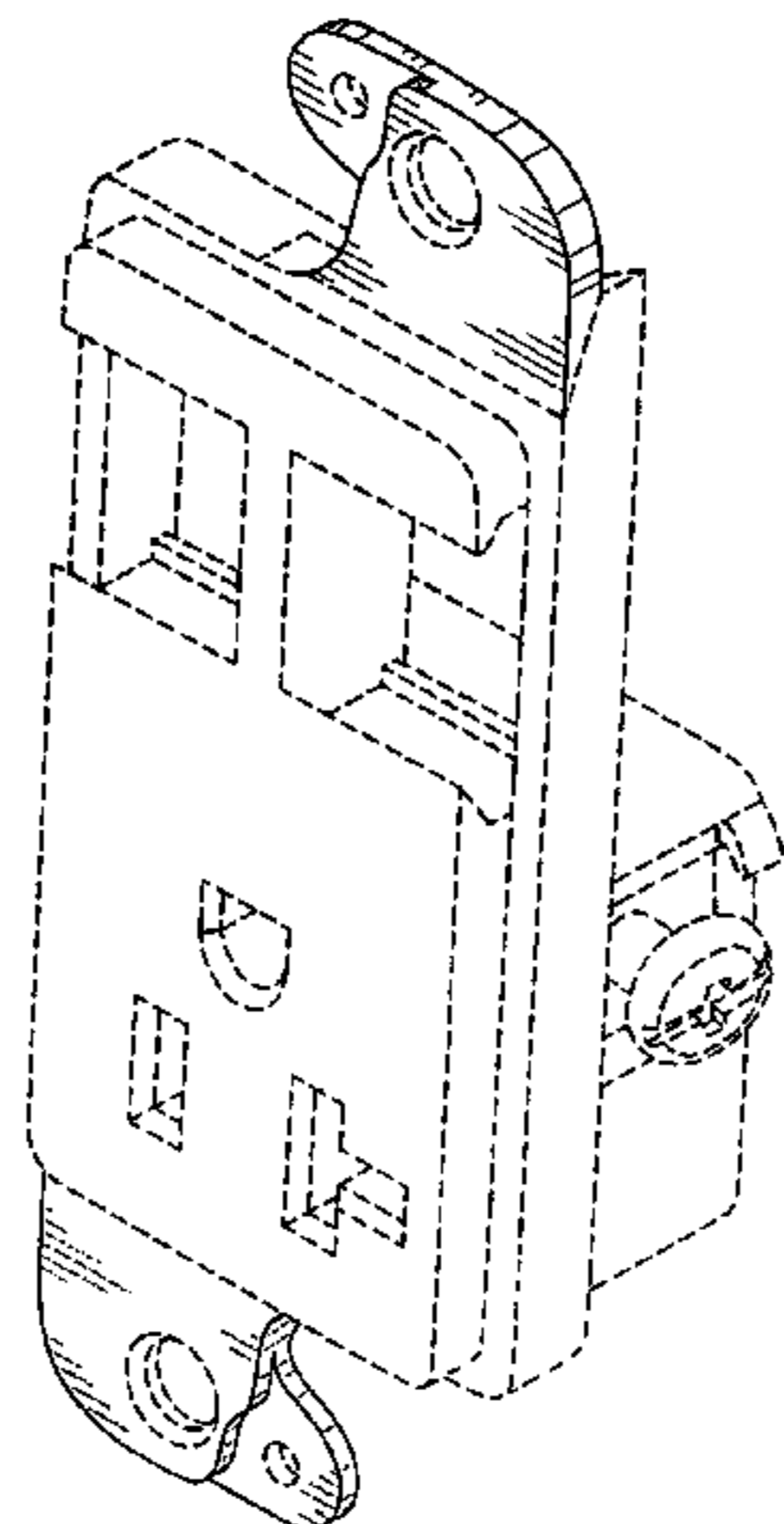
The ornamental design for a multi-purpose electrical outlet, as shown and described.

DESCRIPTION

FIG. 1 is a perspective view of a multi-purpose electrical outlet in accordance with the invention;
FIG. 2 is a front elevational view thereof;
FIG. 3 is a rear elevational view thereof;
FIG. 4 is a top plan view thereof;
FIG. 5 is a bottom plan view thereof;
FIG. 6 is a left side elevational view thereof; and,
FIG. 7 is a right side elevational view thereof.

The broken lines immediately adjacent the shaded areas represent the bounds of the claimed design while all other broken lines are directed to environment and are for illustrative purposes only. The broken lines form no part of the claimed design.

1 Claim, 4 Drawing Sheets



US D629,750 S

Page 2

U.S. PATENT DOCUMENTS

D430,539 S	9/2000	Leopold et al.	D512,021 S	11/2005	Fort et al.
6,147,304 A	11/2000	Doherty	D515,505 S	2/2006	Lin
6,194,657 B1	2/2001	Gretz	7,164,082 B2	1/2007	Kurek et al.
6,207,895 B1	3/2001	Engel	7,179,101 B2	2/2007	Murakami et al.
6,218,613 B1	4/2001	Justiniano et al.	D545,272 S	6/2007	Zhang et al.
6,259,020 B1	7/2001	Ashline et al.	7,265,291 B1	9/2007	Gorman
6,376,770 B1	4/2002	Hyde	7,285,721 B1	10/2007	Savicki, Jr.
D462,660 S	9/2002	Huang et al.	D558,676 S	1/2008	Fort et al.
6,492,591 B1	12/2002	Metcalf	D568,816 S *	5/2008	Micheals D13/139.3
6,573,446 B1	6/2003	Umstead et al.	7,455,538 B2 *	11/2008	Germain 439/137
6,653,561 B2	11/2003	Lalancette et al.	7,456,358 B2	11/2008	Swiencicki et al.
6,727,428 B2	4/2004	Archer et al.	7,492,558 B2 *	2/2009	Germain et al. 361/42
6,835,890 B2	12/2004	Dinh et al.	D601,962 S *	10/2009	Song D13/139.6
D505,758 S *	5/2005	Rohmer et al. D13/156	7,618,284 B2 *	11/2009	Lamoureux et al. 439/535
6,940,017 B2 *	9/2005	Roesch et al. 174/58	2009/0014196 A1	1/2009	Peck
			2010/0000756 A1	1/2010	Peck

* cited by examiner

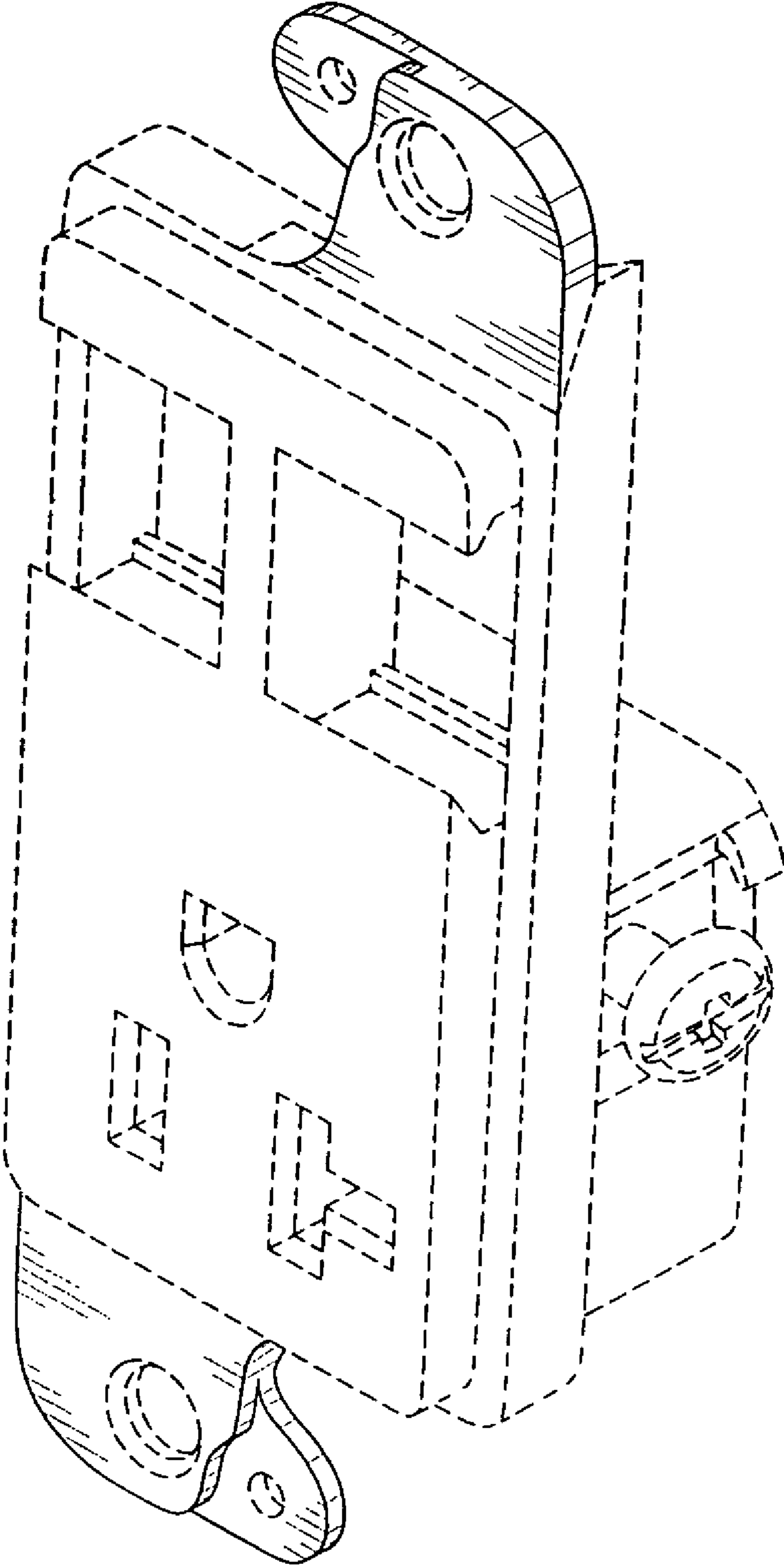


FIG. 1

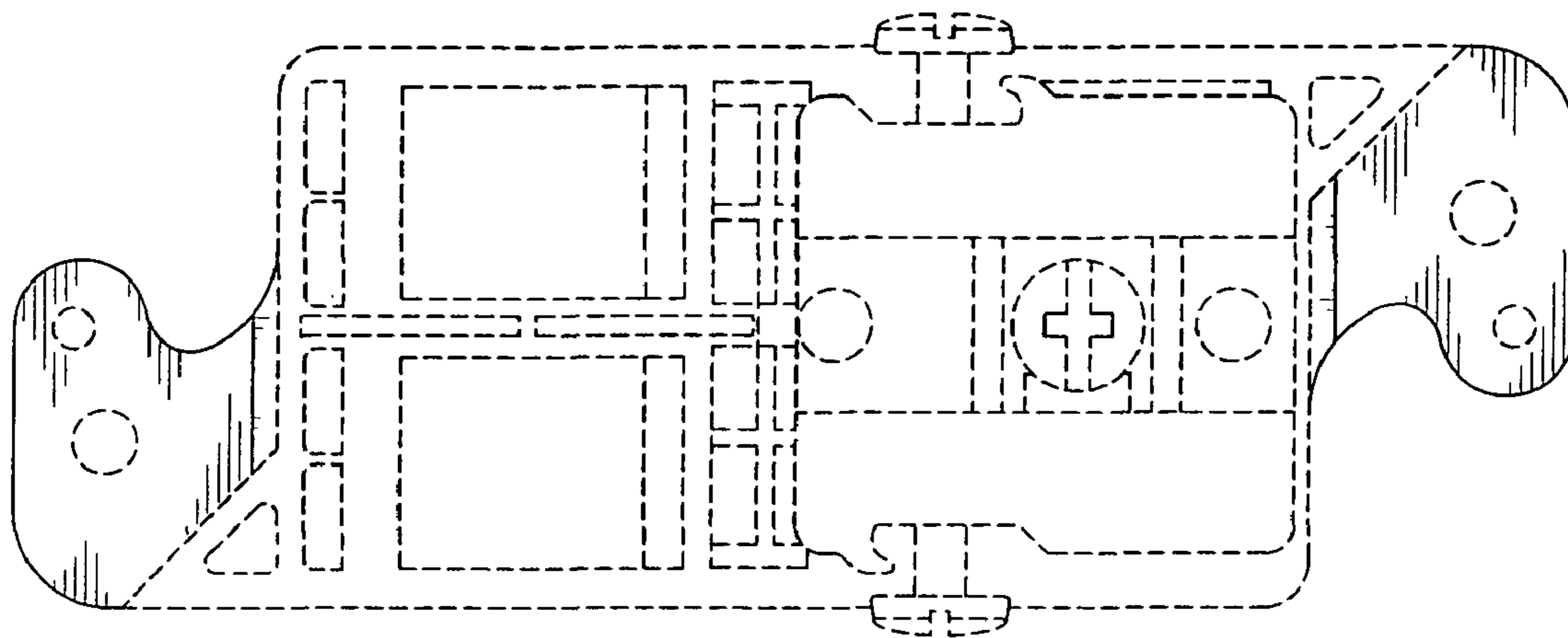


FIG. 3

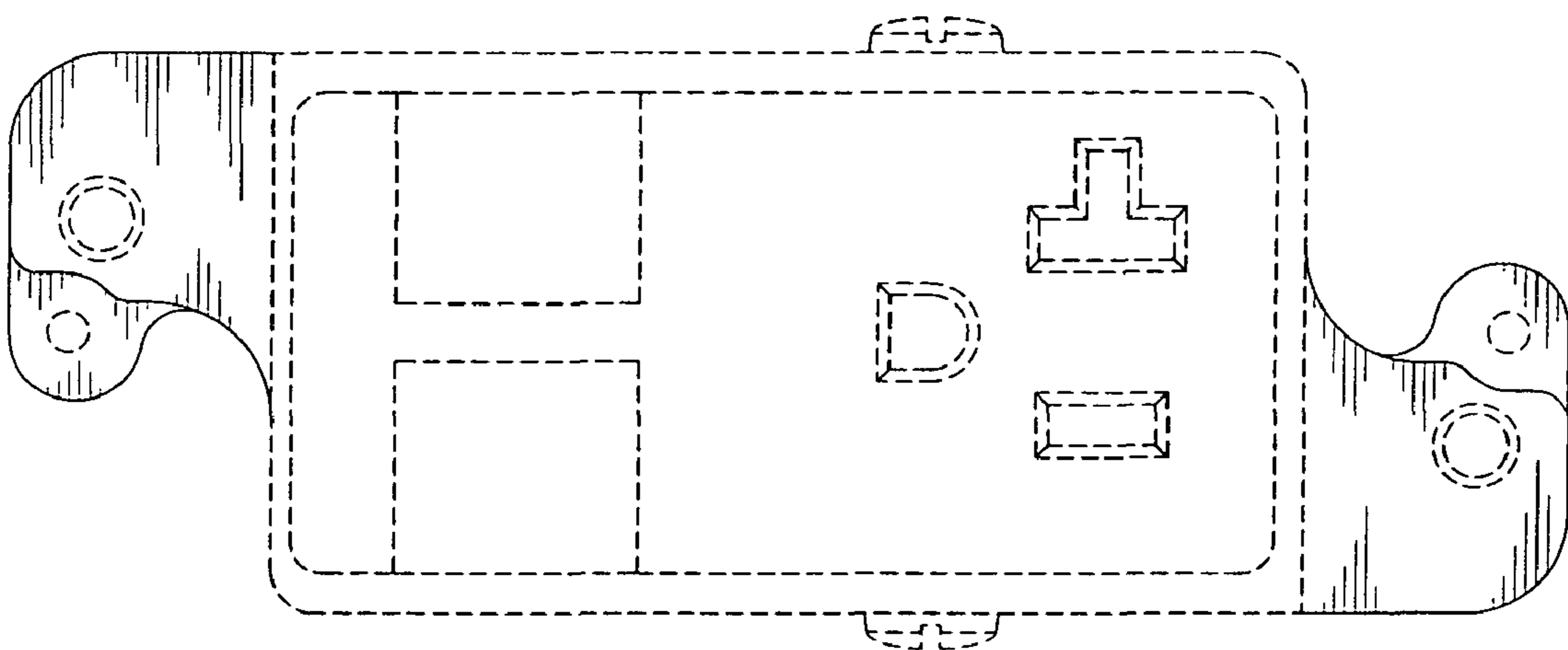


FIG. 2

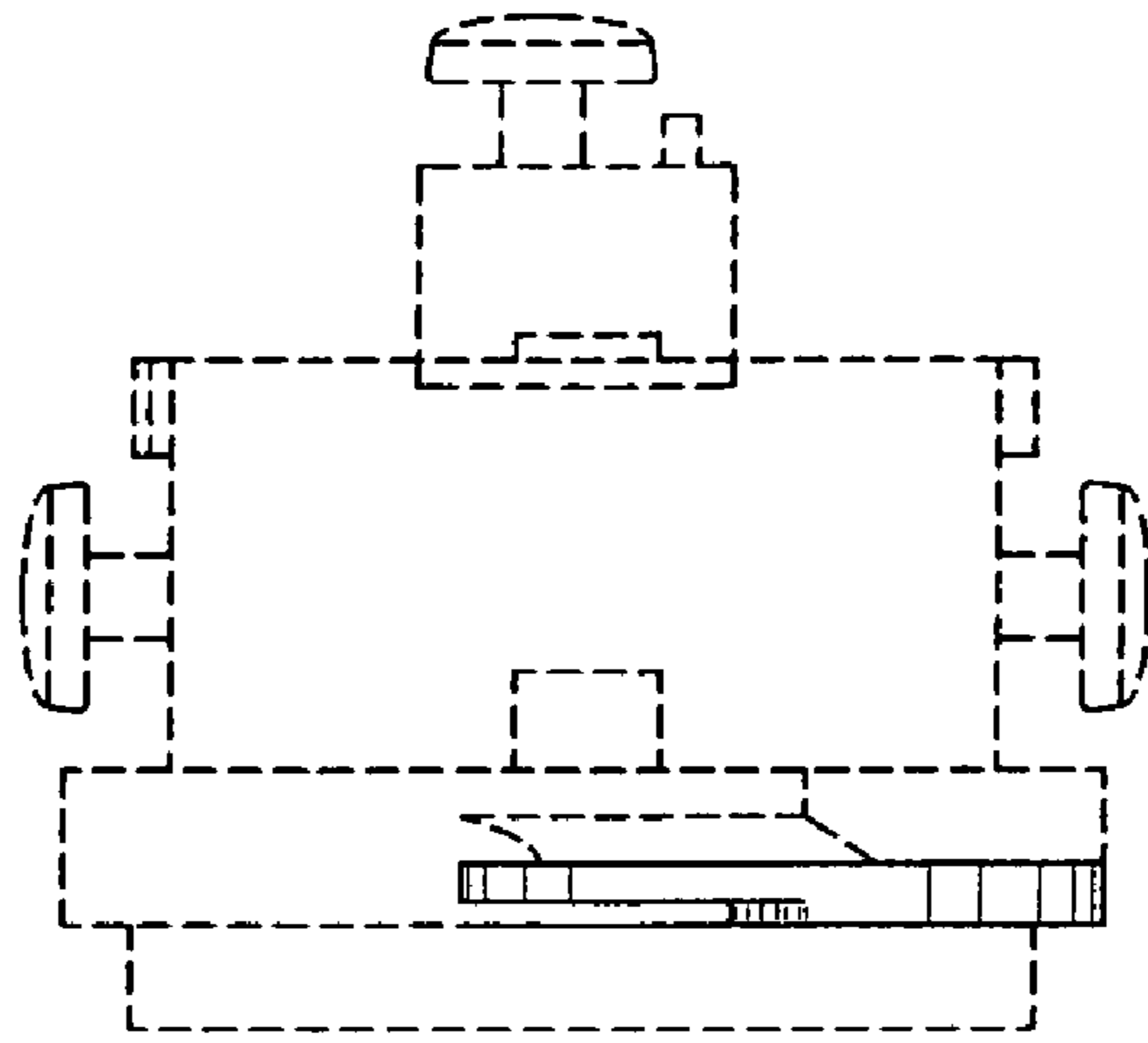


FIG. 4

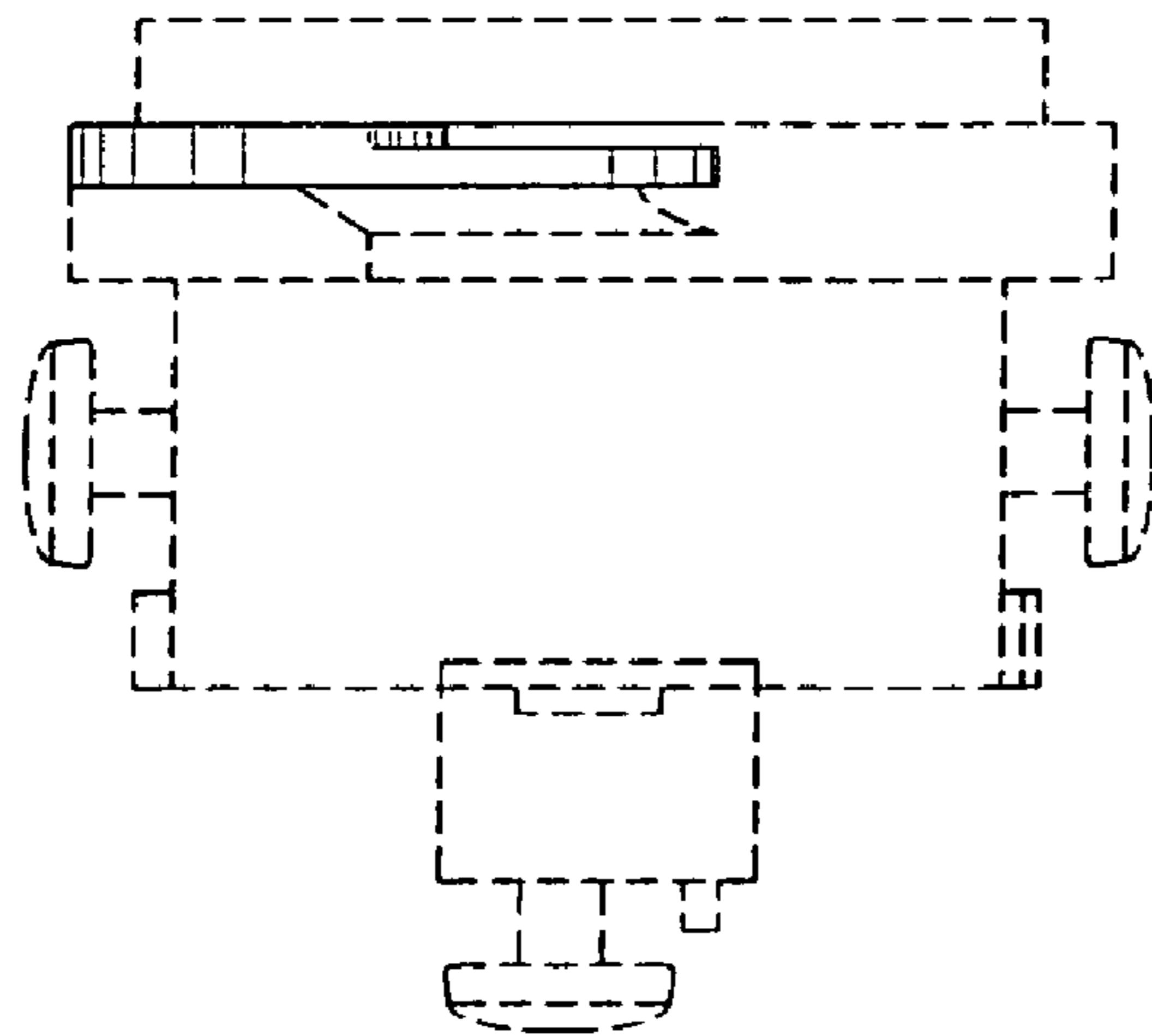


FIG. 5

FIG. 6

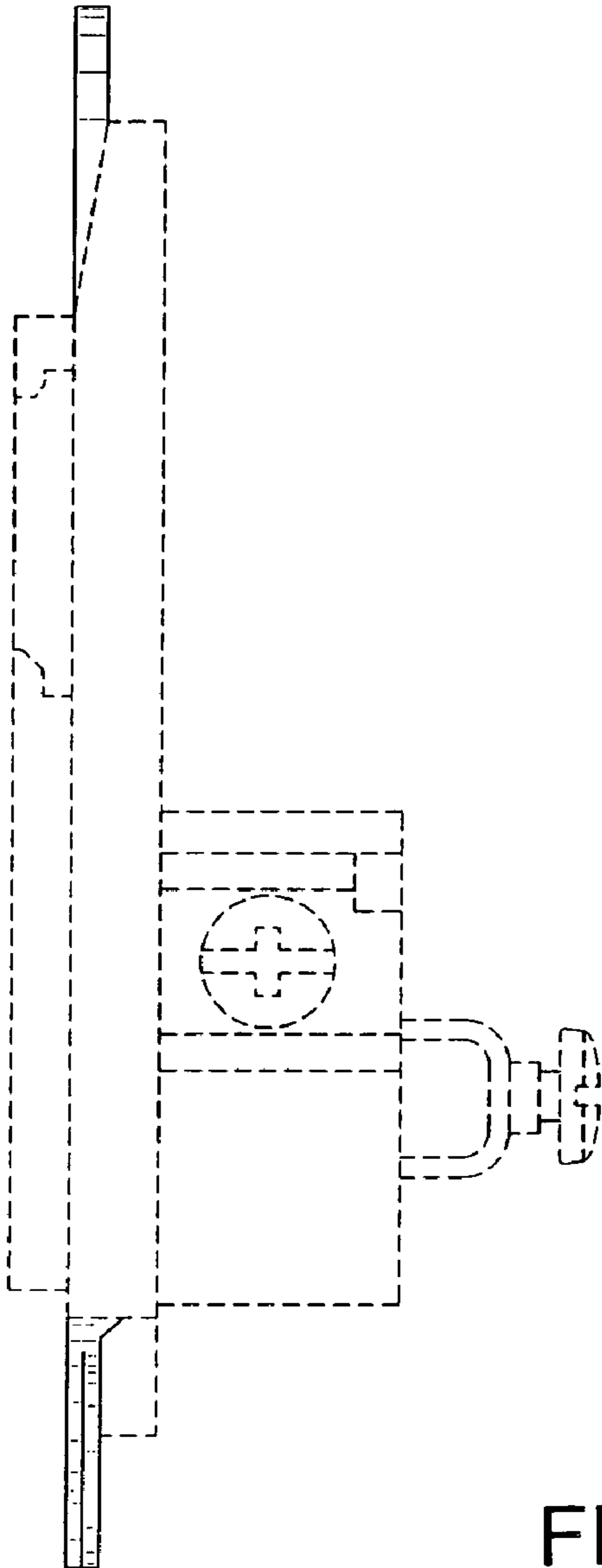
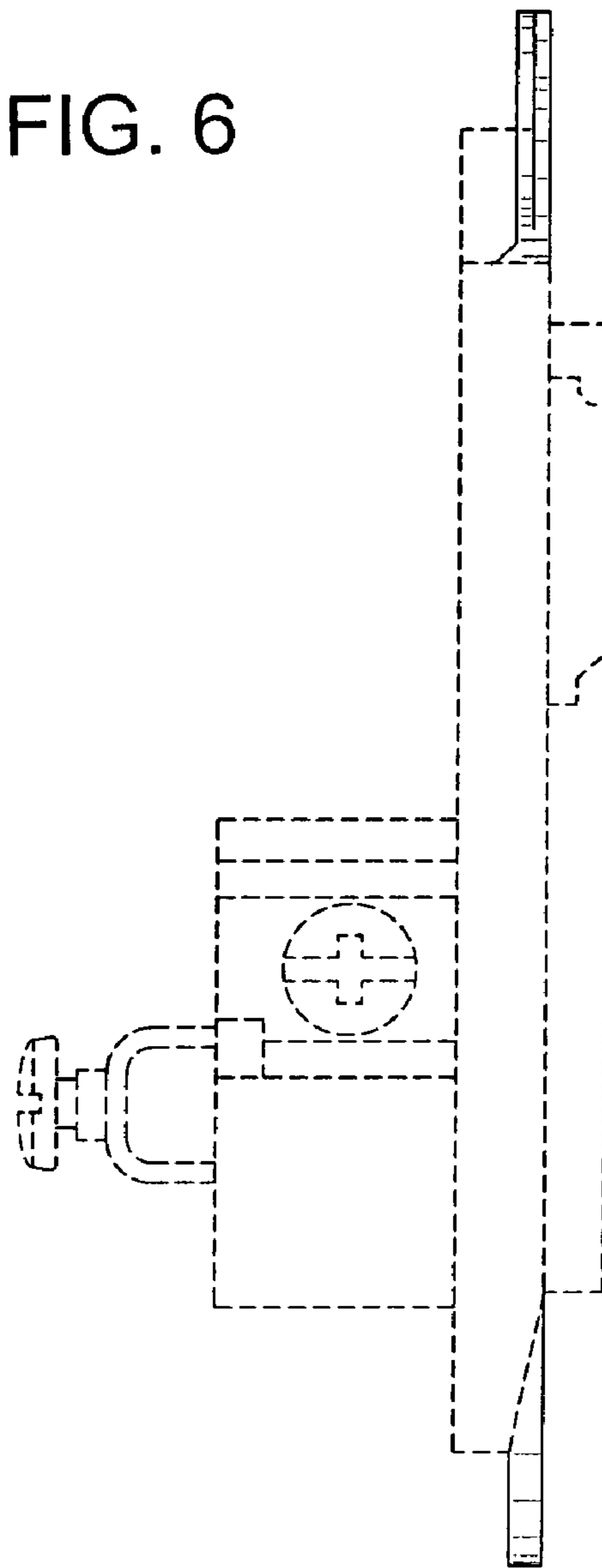


FIG. 7