



US00D629749S

(12) **United States Design Patent**  
**Kobayashi et al.**

(10) **Patent No.:** **US D629,749 S**

(45) **Date of Patent:** **\*\* Dec. 28, 2010**

(54) **TOROIDAL CORE COVER**

D463,365 S \* 9/2002 Sakai et al. .... D13/118

(75) Inventors: **Katsumi Kobayashi**, Tokyo (JP);  
**Kosuke Kunitsuka**, Tokyo (JP);  
**Masaaki Iwakura**, Tokyo (JP)

FOREIGN PATENT DOCUMENTS

JP S-1320273 1/2008  
JP S-1320411 1/2008  
JP S-1320412 1/2008

(73) Assignee: **TDK Corporation**, Tokyo (JP)

\* cited by examiner

(\*\*) Term: **14 Years**

*Primary Examiner*—Prabhakar Deshmukh

*Assistant Examiner*—Derrick Holland

(21) Appl. No.: **29/357,697**

(74) *Attorney, Agent, or Firm*—Oliff & Berridge, PLC

(22) Filed: **Mar. 16, 2010**

(57) **CLAIM**

(30) **Foreign Application Priority Data**

The ornamental design for a toroidal core cover, as shown and described.

Nov. 19, 2009 (JP) ..... 2009-027078

**DESCRIPTION**

(51) **LOC (9) Cl.** ..... **13-02**

FIG. 1 is a perspective view of a toroidal core cover;

(52) **U.S. Cl.** ..... **D13/118**

FIG. 2 is a top plan view, with the bottom plan view being a mirror image of the top plan view thereof;

(58) **Field of Classification Search** ..... D13/118,  
D13/101, 110, 117, 120, 183, 199; 219/116,  
219/624; 323/247, 250, 253; 334/59, 63,  
334/70, 76; 336/83, 136, 178, 182, 185,  
336/192, 208, 210, 212, 214, 218, 230, 232  
See application file for complete search history.

FIG. 3 is a front elevation view, with the rear elevation view being a mirror image of the front elevation view thereof;

FIG. 4 is a right-side view, with the left-side view being a mirror image of the right-side view thereof;

(56) **References Cited**

U.S. PATENT DOCUMENTS

3,898,601 A \* 8/1975 Meindl ..... 336/136  
4,352,080 A \* 9/1982 Mitsui et al. .... 336/83  
4,424,504 A \* 1/1984 Mitsui et al. .... 336/83  
D330,541 S \* 10/1992 Burrow et al. .... D13/183  
5,175,525 A \* 12/1992 Smith ..... 336/83  
D384,333 S \* 9/1997 Suzuki ..... D13/183  
5,684,445 A \* 11/1997 Kobayashi et al. .... 336/83

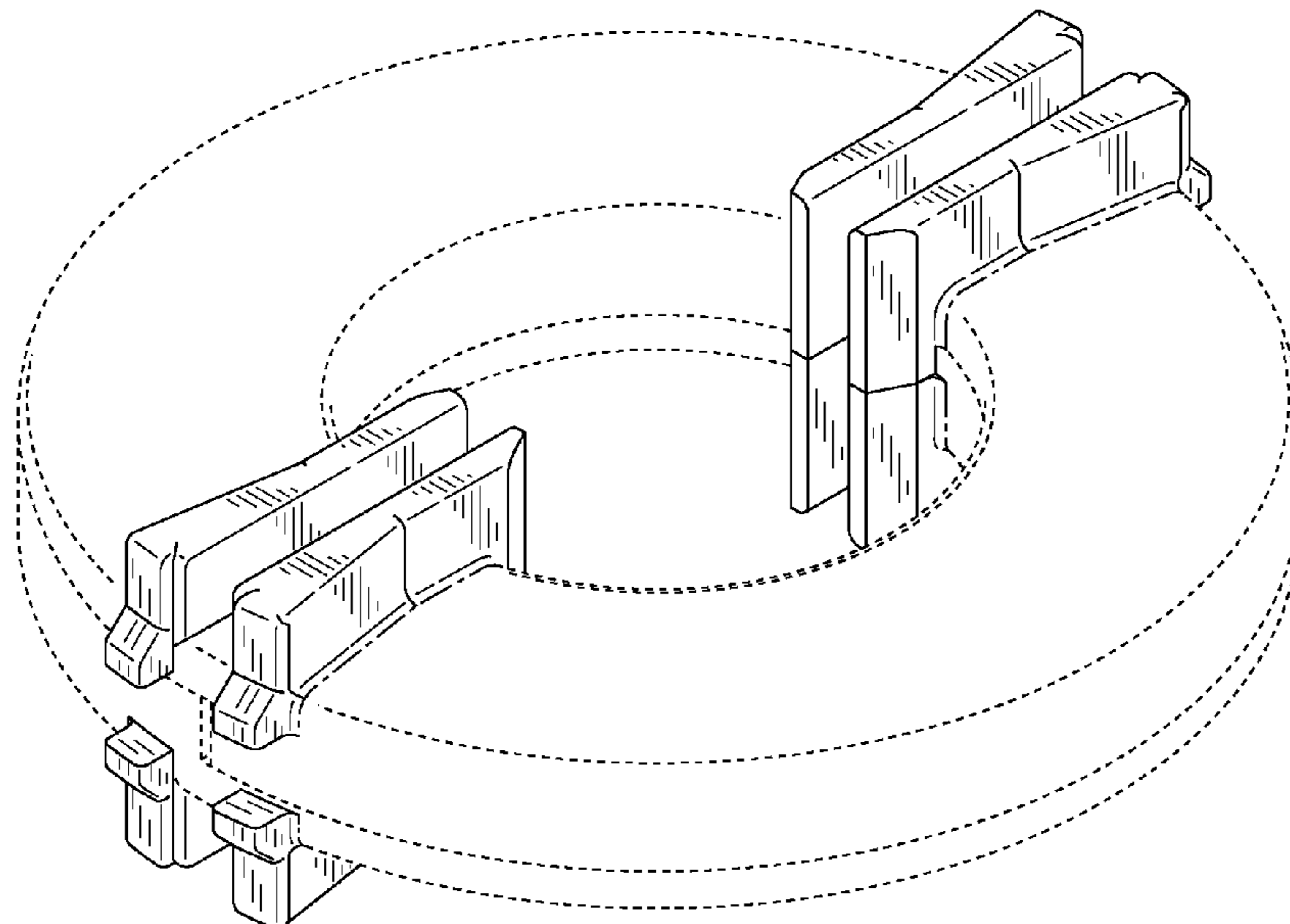
FIG. 5 is a cross-sectional view of the toroidal core cover taken along the line 5—5 in FIG. 2; and,

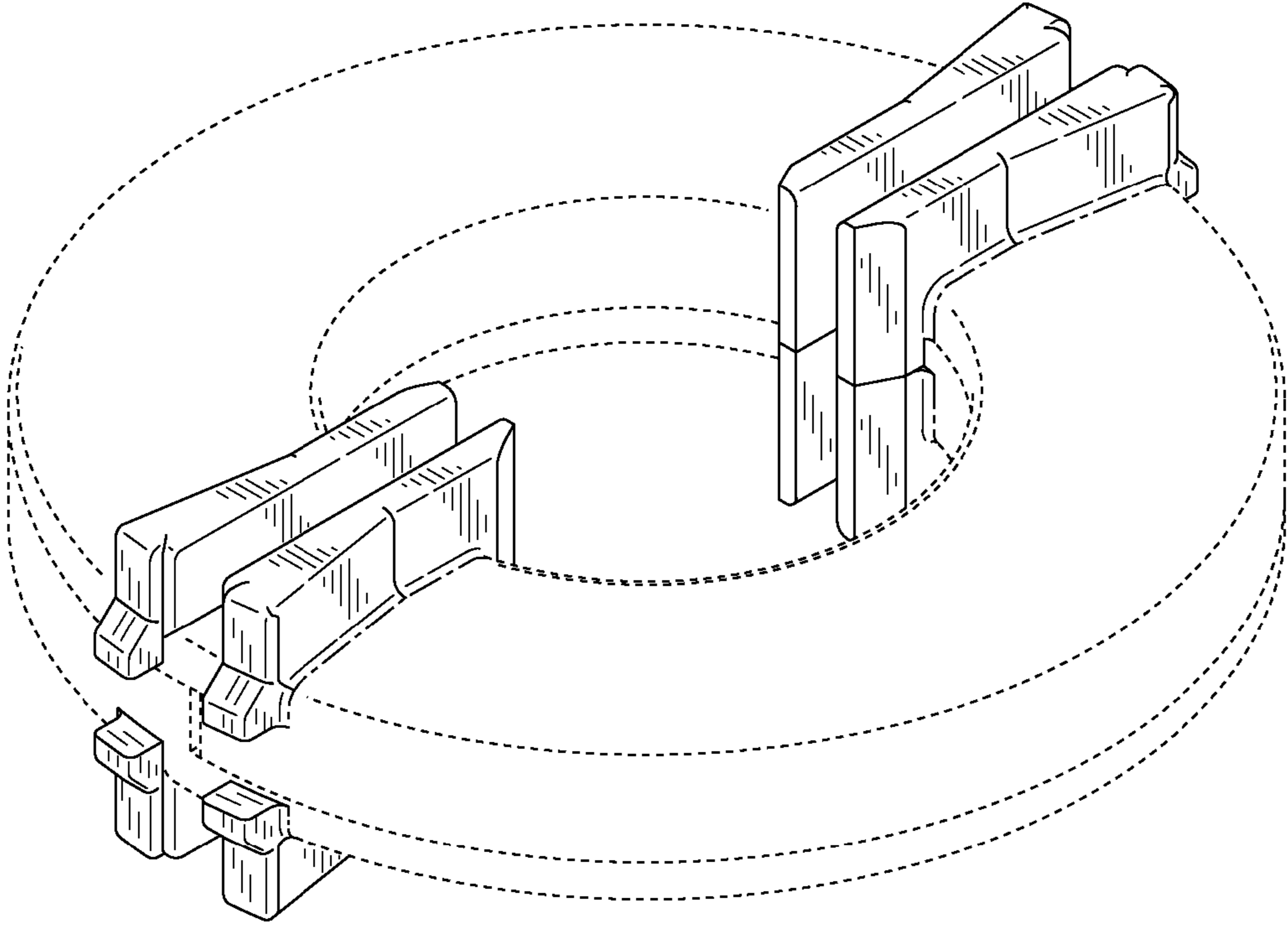
FIG. 6 is a cross-sectional view of the toroidal core cover taken along the line 6—6 in FIG. 2.

The broken lines depict environmental subject matter only and form no part of the claimed design.

The dot-chain lines illustrate a border of the claimed subject matter and form no part of the claimed design.

**1 Claim, 4 Drawing Sheets**





*FIG. 1*

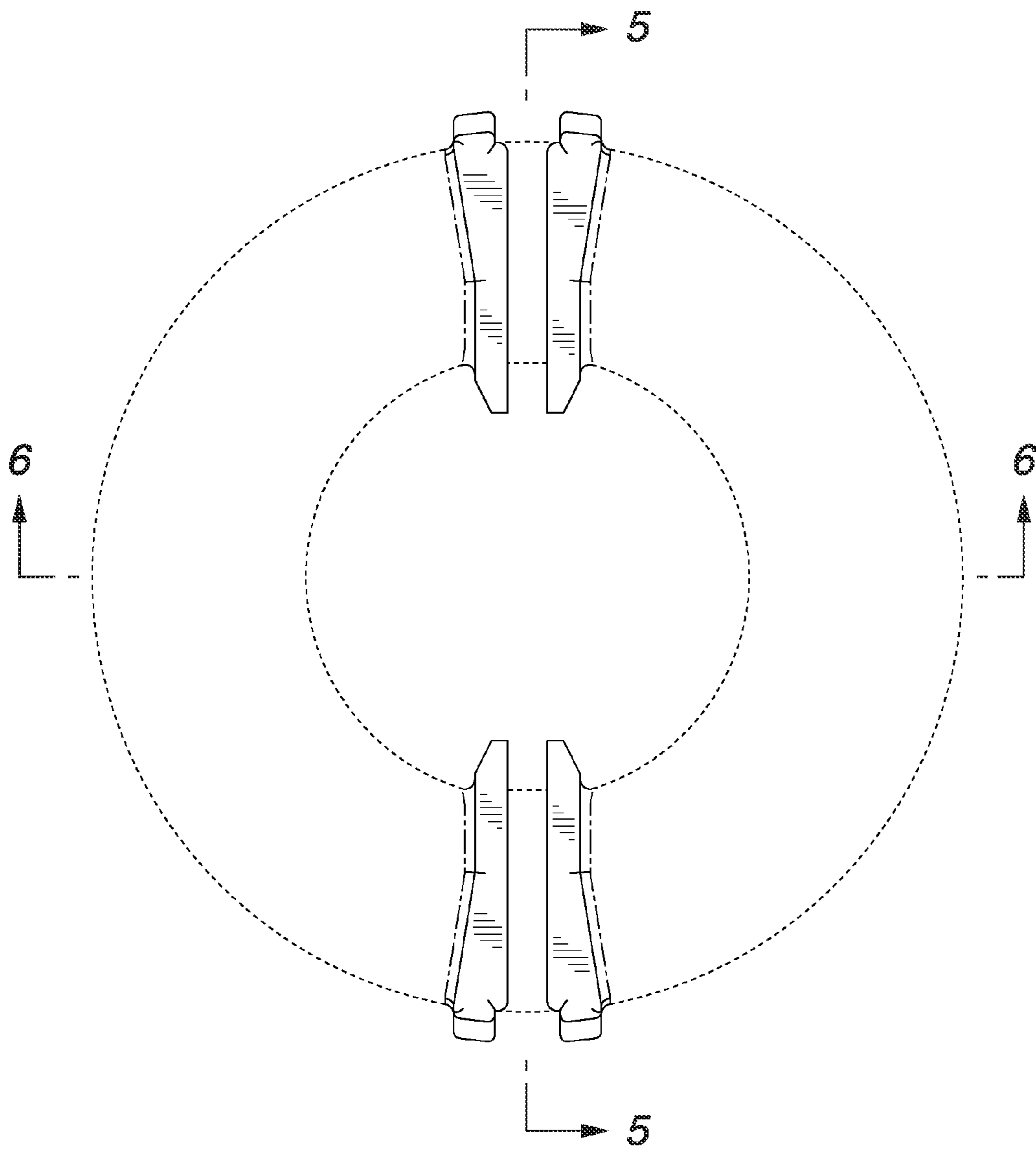
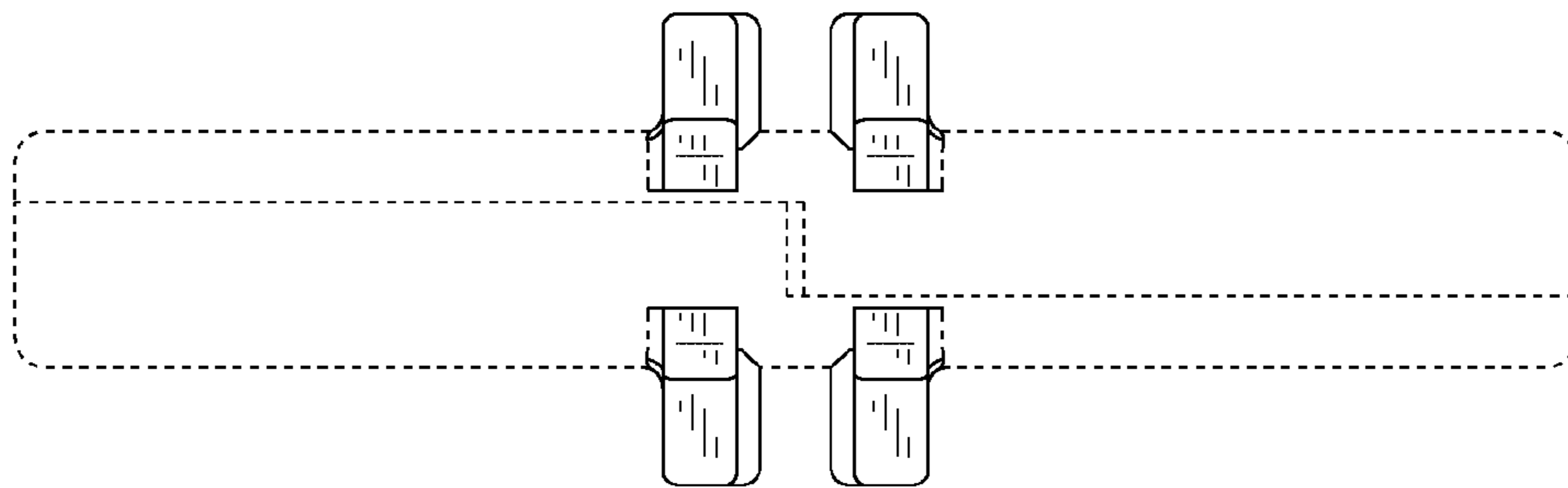
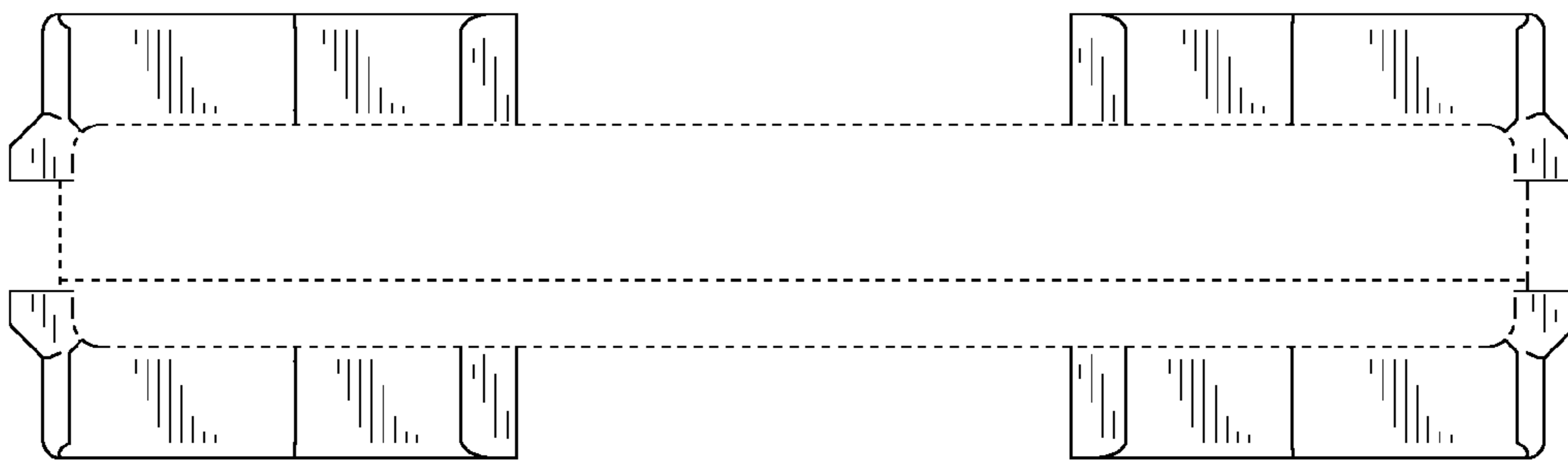


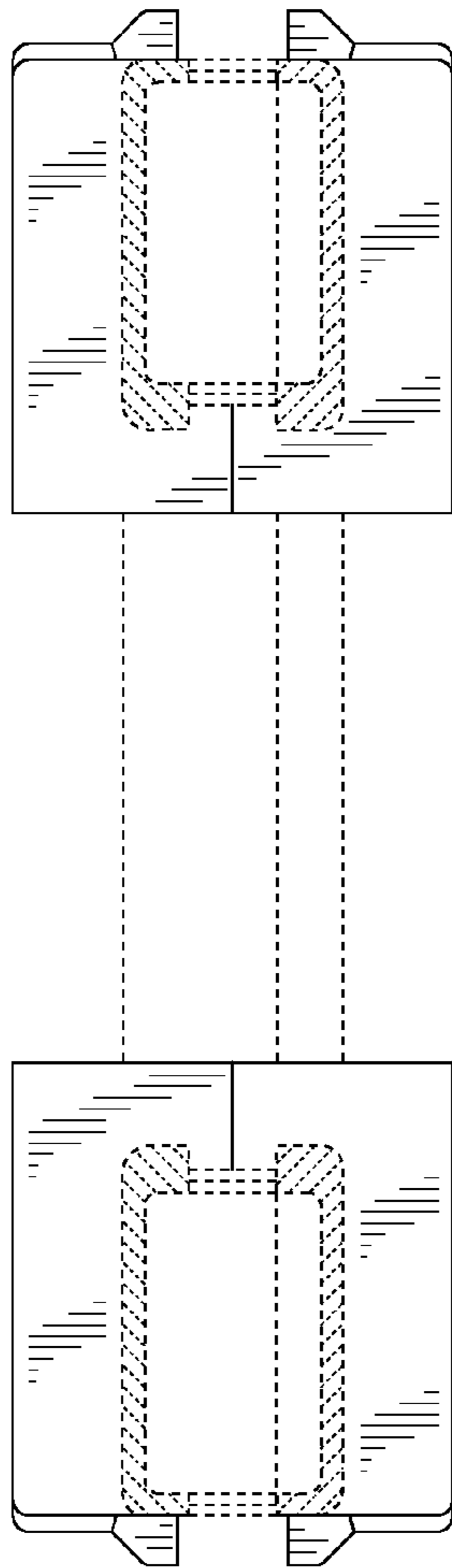
FIG. 2



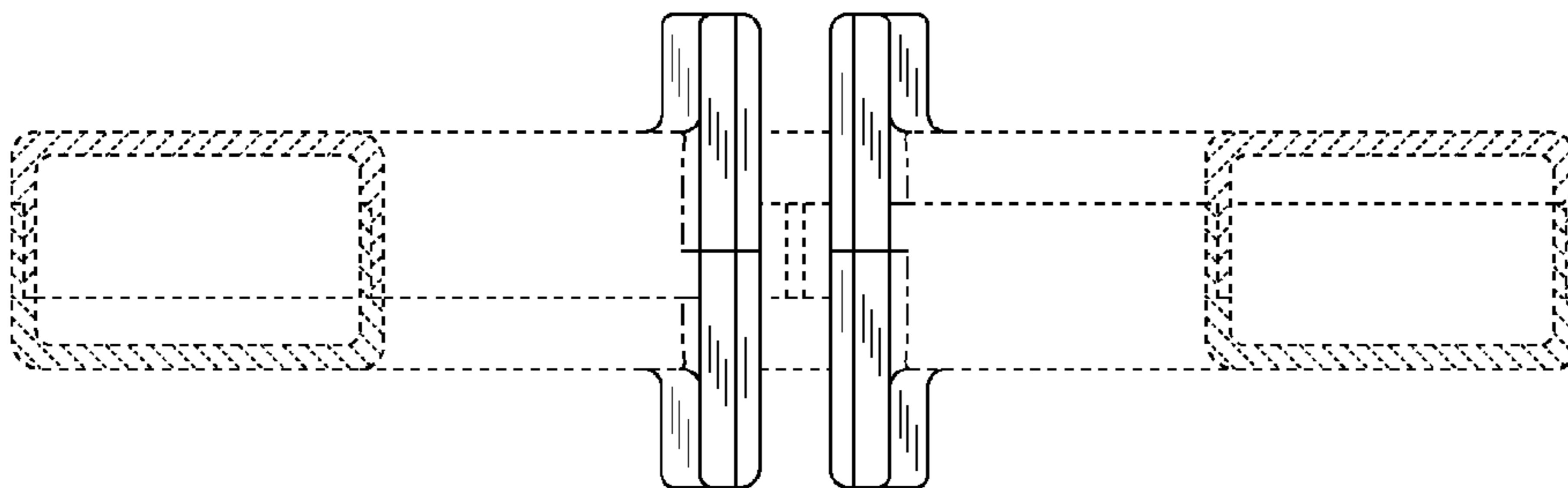
*FIG. 3*



*FIG. 4*



**FIG. 5**



**FIG. 6**