



US00D629748S

(12) **United States Design Patent**
van Deursen

(10) **Patent No.:** **US D629,748 S**
(45) **Date of Patent:** **** Dec. 28, 2010**

- (54) **PORTABLE GENERATOR**
- (75) Inventor: **Gary E. van Deursen**, Essex, CT (US)
- (73) Assignee: **Briggs & Stratton Corporation**,
Wauwatosa, WI (US)
- (**) Term: **14 Years**
- (21) Appl. No.: **29/357,171**
- (22) Filed: **Mar. 8, 2010**
- (51) **LOC (9) Cl.** **13-01**
- (52) **U.S. Cl.** **D13/116; D13/122**
- (58) **Field of Classification Search** D13/116,
D13/112, 114, 122, 184, 199; D6/329, 462;
D15/33; D34/12, 17, 23, 24, 26; 219/56,
219/57; 290/1 A, 1 B, 1 R; 307/150, 153;
310/50, 89, 158, 418

See application file for complete search history.

(56) **References Cited**

U.S. PATENT DOCUMENTS

D106,969 S	11/1937	Gerald	
D276,997 S	1/1985	Mikado	
D278,425 S	4/1985	Toshihiko	
D284,415 S	6/1986	Cahoon	
D293,904 S	1/1988	Murakami et al.	
4,741,505 A	5/1988	Anderson	
5,965,949 A	10/1999	Fukuda et al.	
D418,809 S	1/2000	Frank	
6,424,060 B1	7/2002	Shiely et al.	
D472,519 S	4/2003	Buck	
D484,565 S	12/2003	Ariazo	
D486,447 S	2/2004	Fan	
D489,327 S	5/2004	Imai	
6,750,556 B2	6/2004	Sodemann et al.	
6,758,169 B2 *	7/2004	Suzuki et al.	123/3
D494,929 S	8/2004	Imai	
6,777,846 B2	8/2004	Feldner et al.	
D501,182 S	1/2005	Buck	
6,935,642 B1	8/2005	Craig et al.	
6,952,056 B2	10/2005	Brandenburg et al.	
6,975,216 B2	12/2005	Tharman et al.	

6,998,725 B2	2/2006	Brandenburg et al.
7,015,404 B2	3/2006	Sodemann et al.
7,015,599 B2	3/2006	Gull et al.
7,053,497 B2	5/2006	Sodemann et al.
7,057,108 B1	6/2006	Sodemann et al.
7,104,847 B2	9/2006	Sodemann et al.
7,148,580 B2	12/2006	Sodemann et al.
7,161,253 B2	1/2007	Sodemann et al.

(Continued)

OTHER PUBLICATIONS

Product Information taken from www.briggsandstratton.com/engine_power/details.aspx, printed on Feb. 17, 2010, 16 pages.

Primary Examiner—Prabhakar Deshmukh
Assistant Examiner—Derrick Holland
(74) *Attorney, Agent, or Firm*—Foley & Lardner LLP

(57) **CLAIM**

I claim the ornamental design for a portable generator, as shown and described.

DESCRIPTION

FIG. 1 is a rear perspective view of a portable generator showing my new design;

FIG. 2 is a right side elevation view thereof;

FIG. 3 is a front elevation view thereof;

FIG. 4 is a left side elevation view thereof;

FIG. 5 is a rear elevation view thereof;

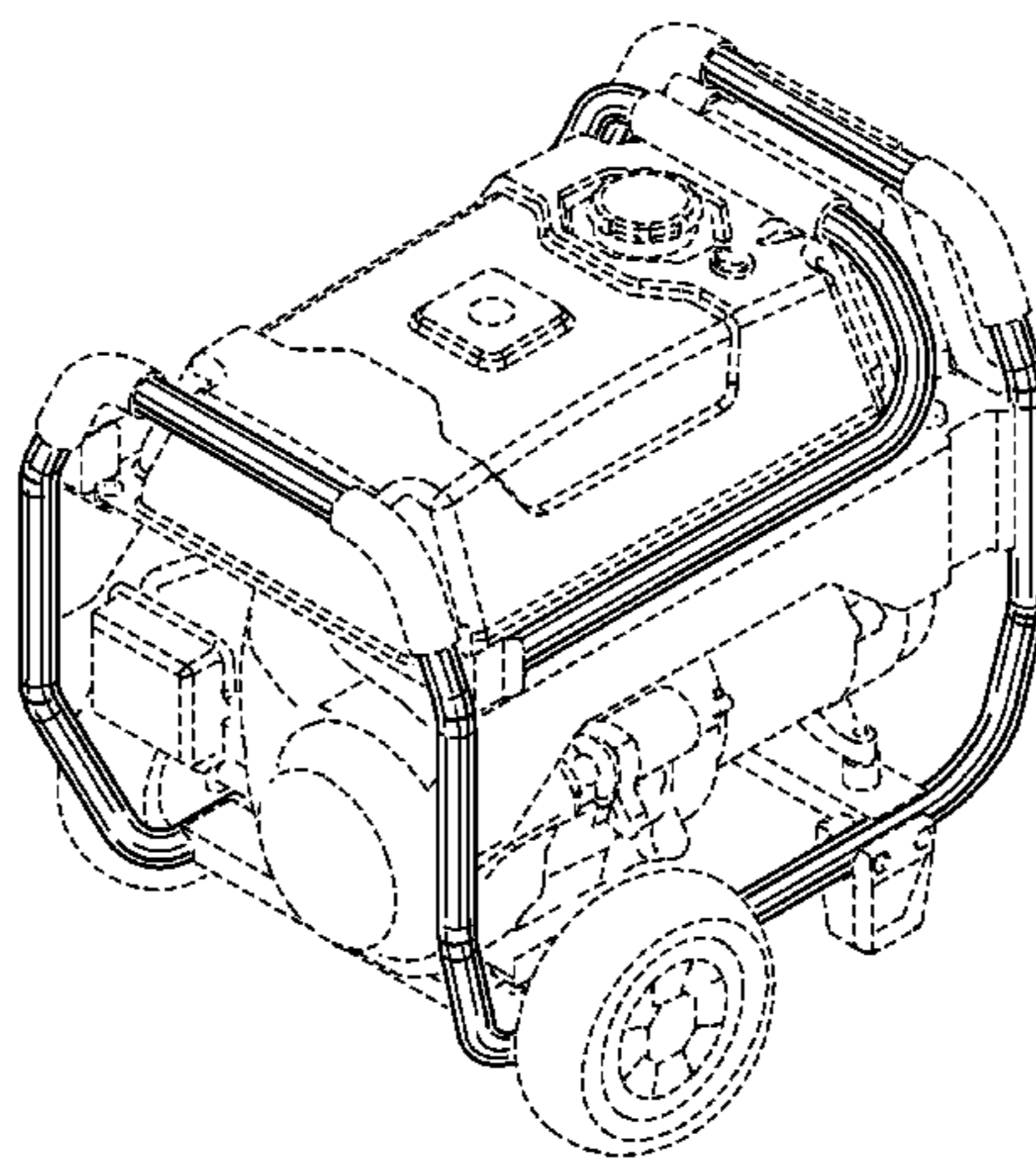
FIG. 6 is a top plan view thereof;

FIG. 7 is a bottom plan view thereof; and,

FIG. 8 is a rear perspective view thereof, with the handle in an alternate configuration.

The broken lines shown are for illustrative purposes only and form no part of the claim. Where broken lines abut a claimed surface it is understood that those broken lines represent an unclaimed boundary between claimed and unclaimed surfaces. None of the broken lines form any part of the claimed design.

1 Claim, 8 Drawing Sheets



US D629,748 S

Page 2

U.S. PATENT DOCUMENTS					
			7,390,224 B2	6/2008	Sodemann et al.
			D580,860 S *	11/2008	Xi-Ren D13/122
7,314,397 B2	1/2008	Sodemann et al.	7,471,505 B2	12/2008	Gull et al.
D563,320 S *	3/2008	Buck D13/116	7,492,050 B2	2/2009	Brandenburg et al.
D567,175 S	4/2008	Knuteson et al.	2008/0093862 A1	4/2008	Brandenburg et al.
7,356,384 B2	4/2008	Gull et al.			
D570,777 S *	6/2008	Glass et al. D13/116			* cited by examiner

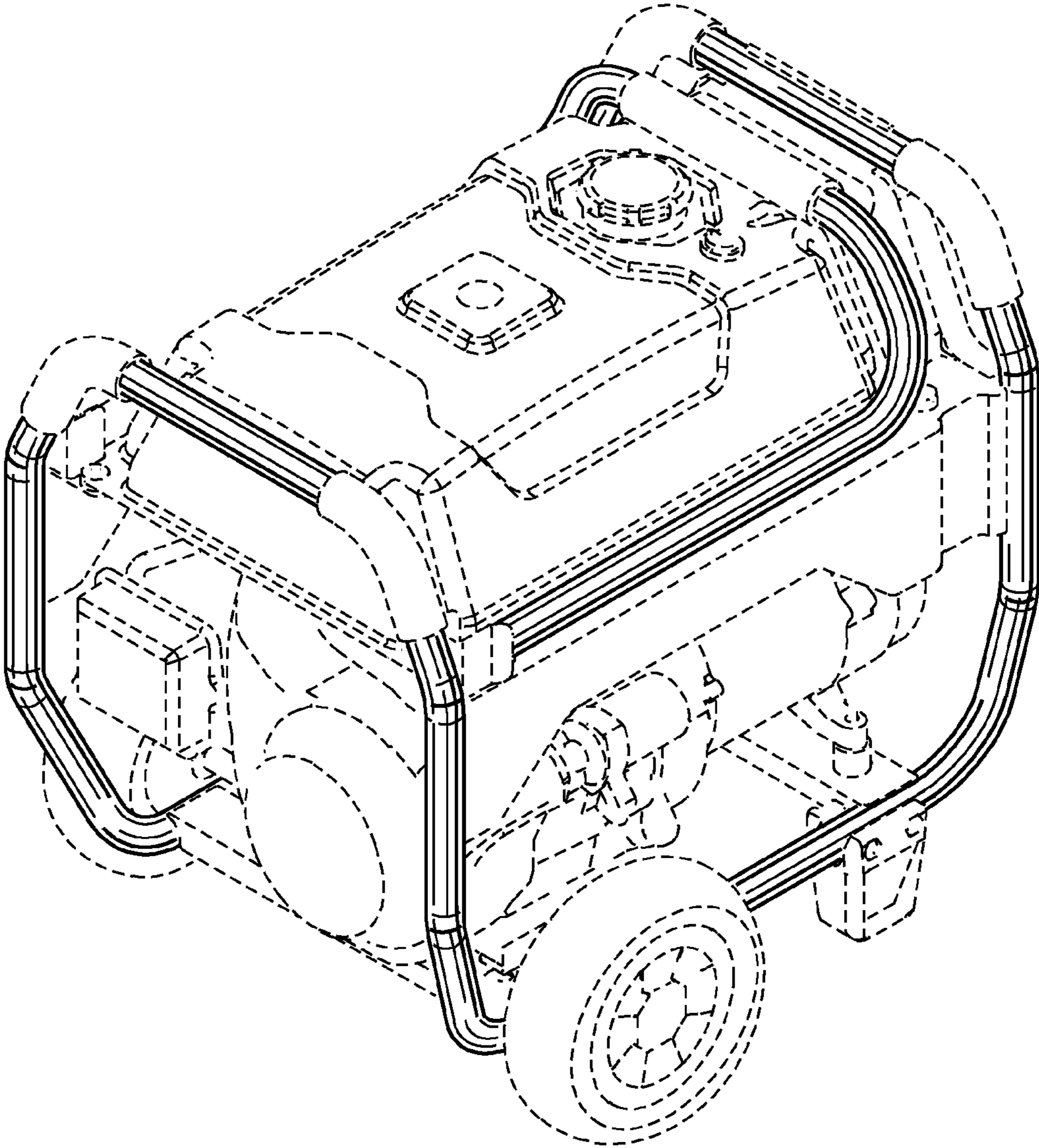


FIG. 1

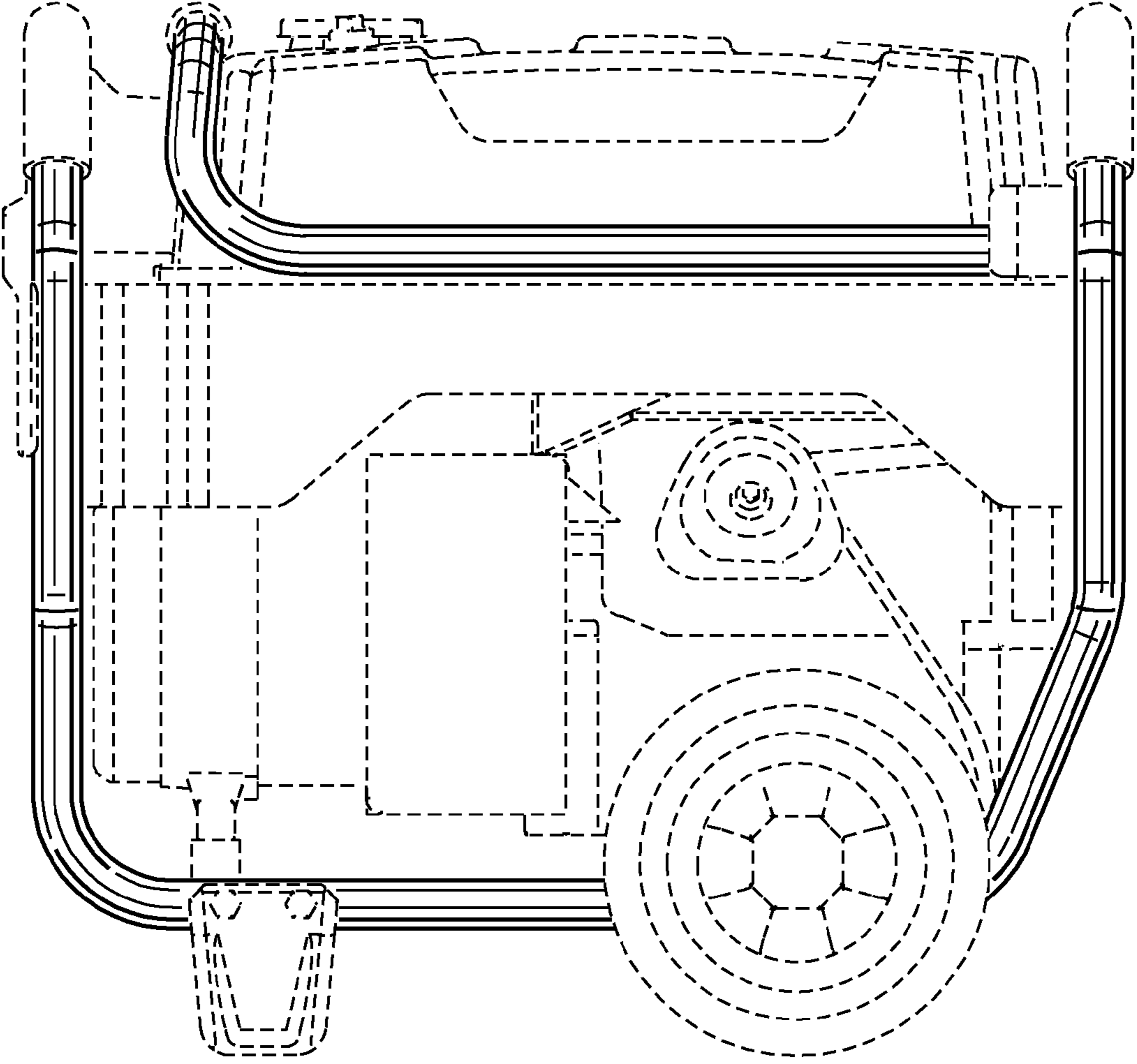


FIG. 2

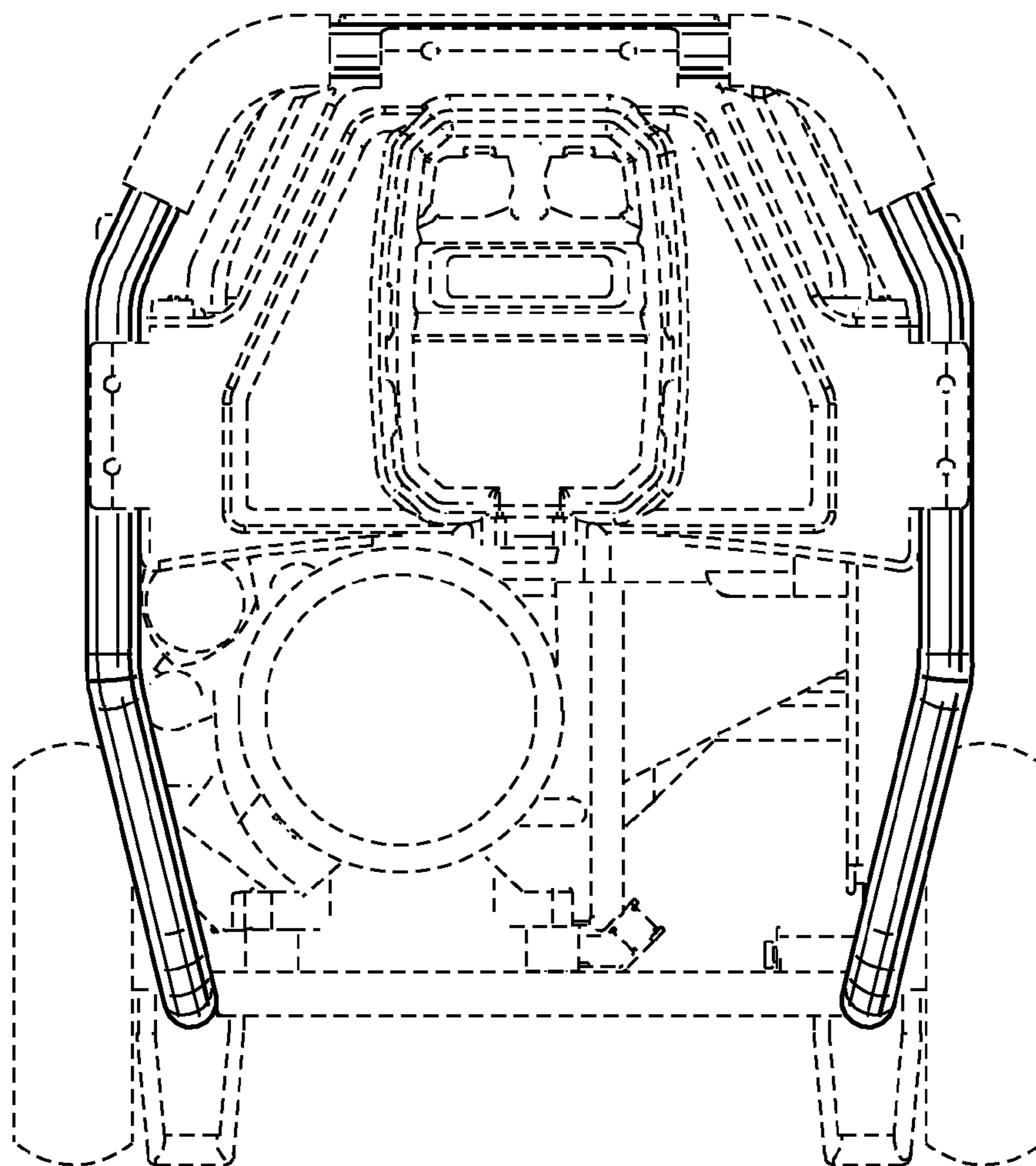


FIG. 3

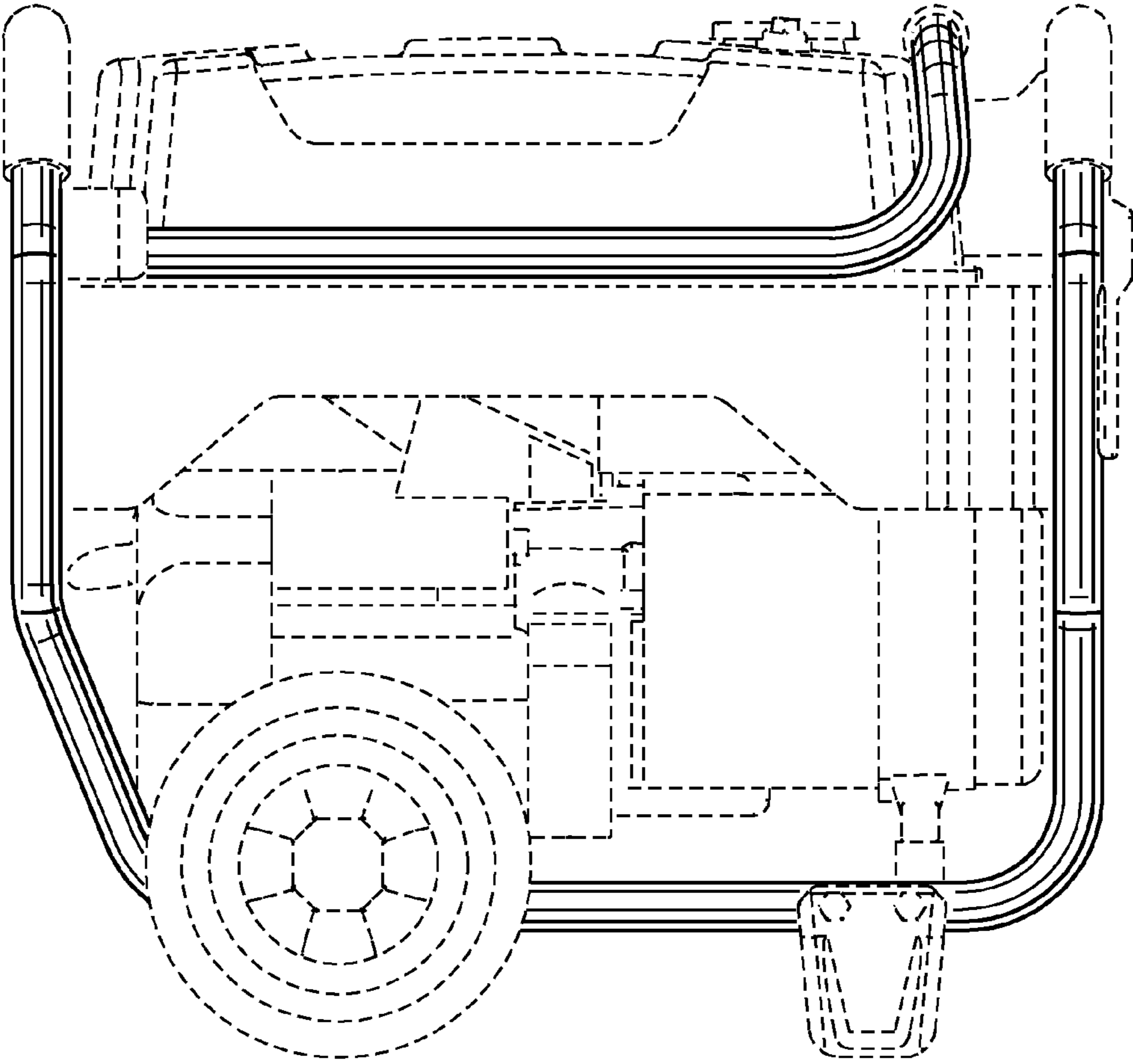


FIG. 4

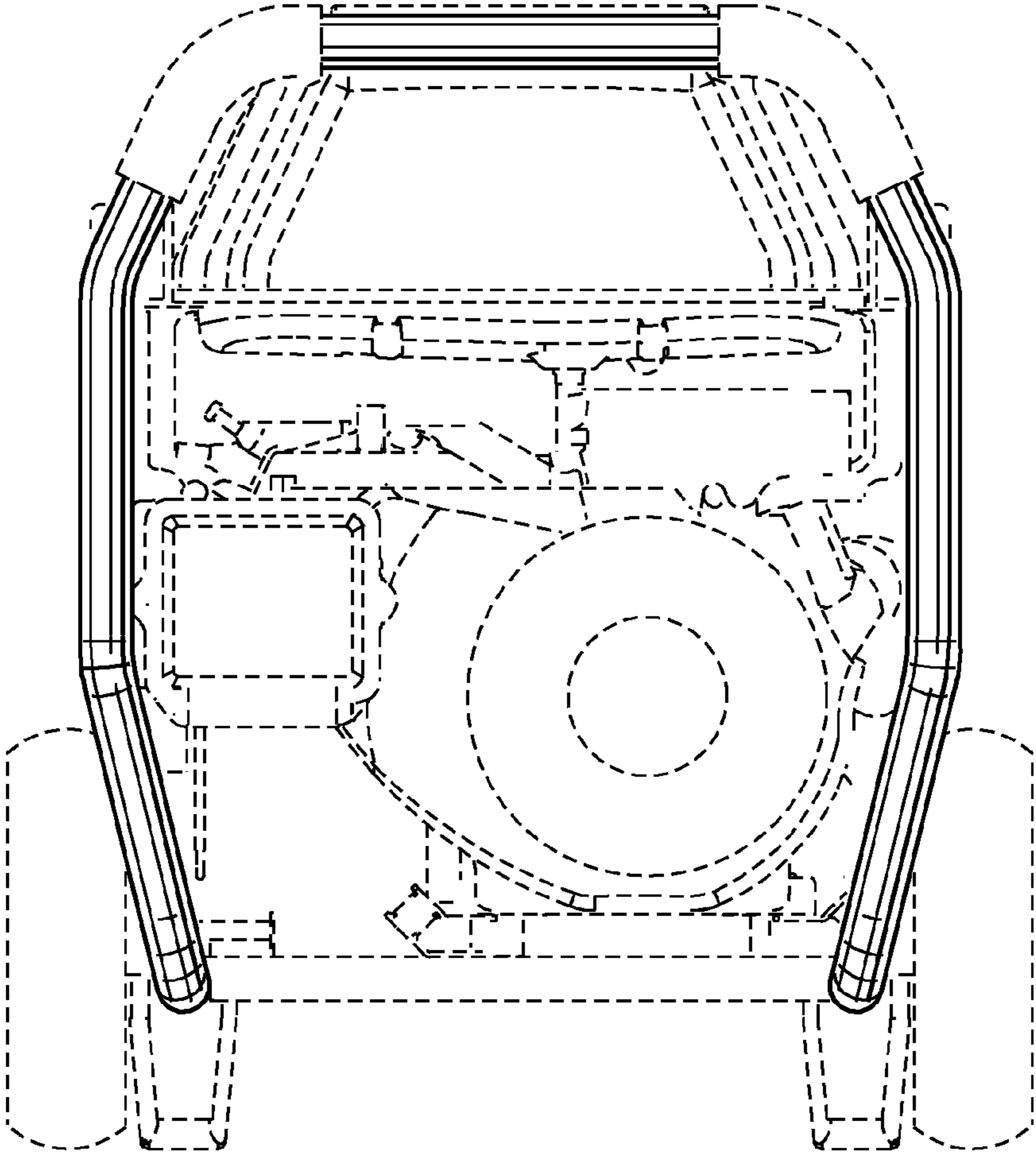


FIG. 5

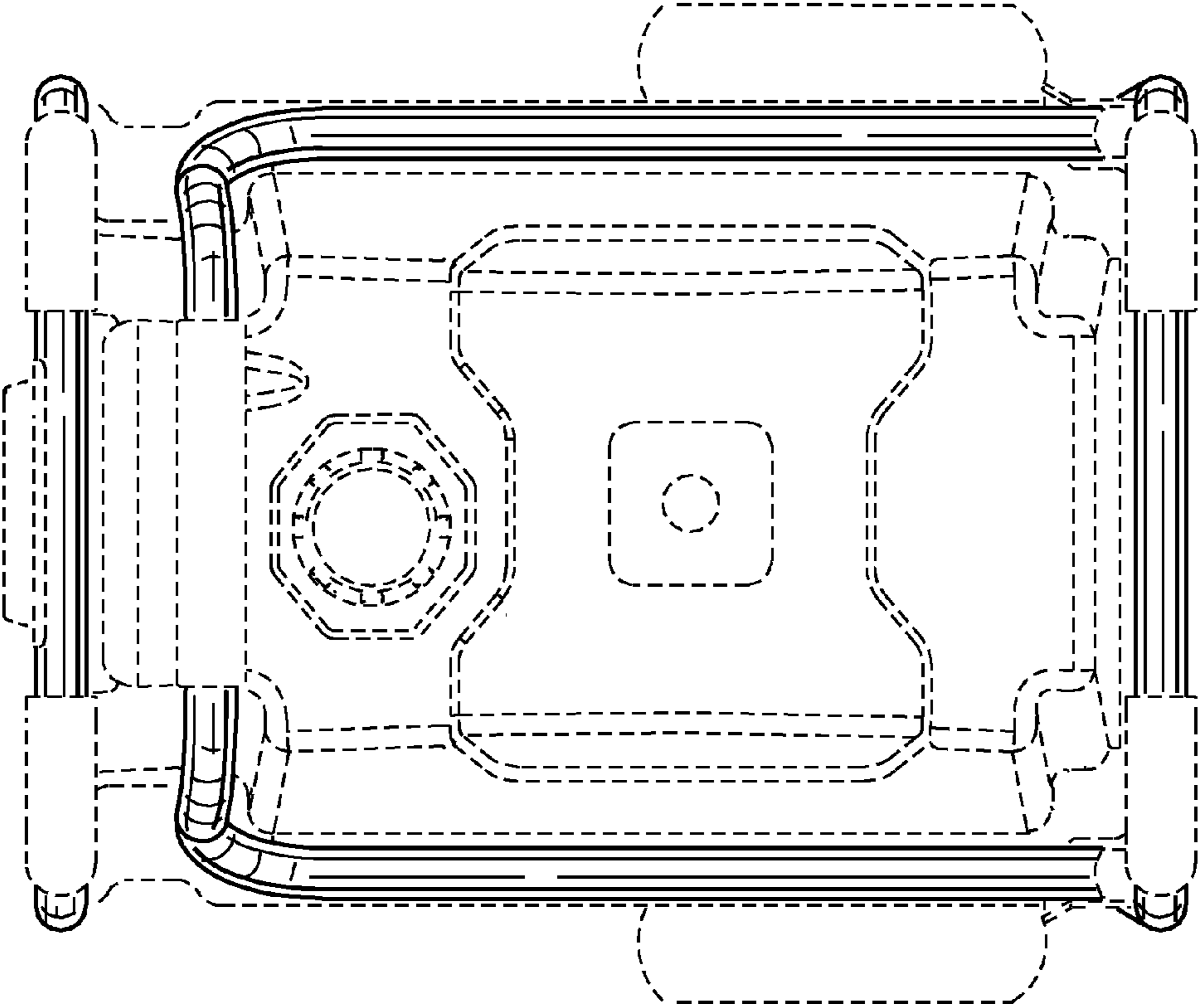


FIG. 6

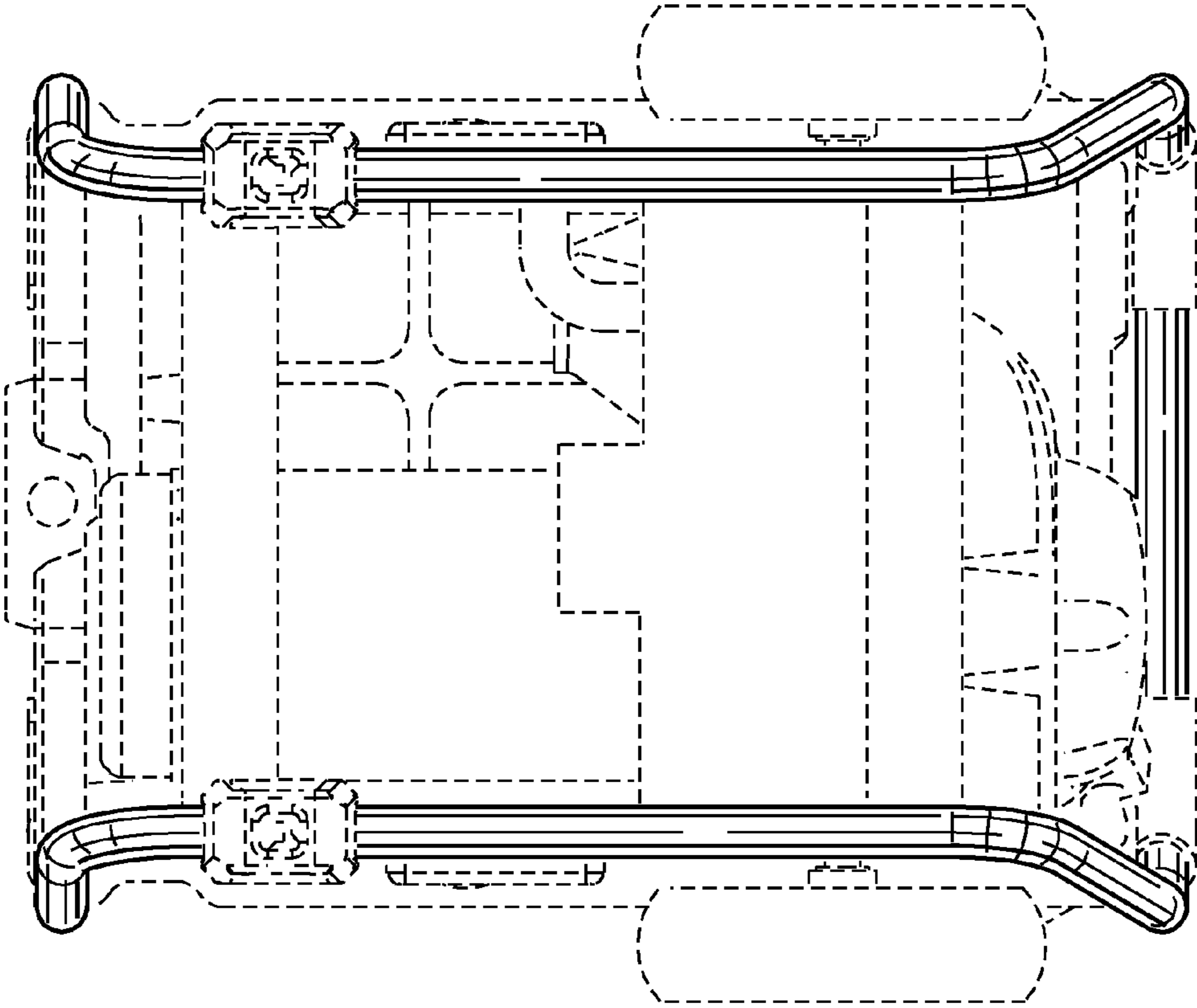


FIG. 7

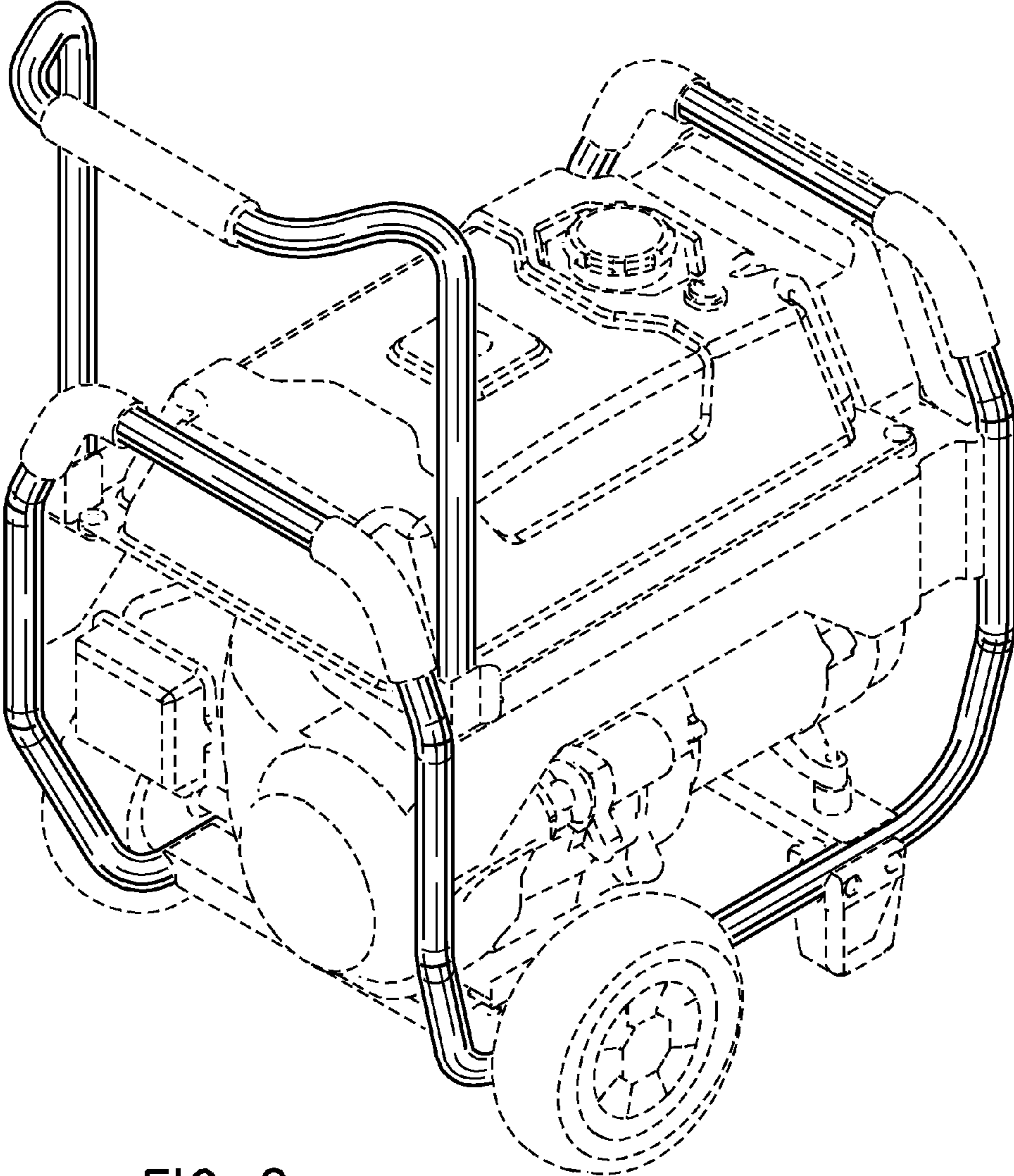


FIG. 8