



US00D629747S

(12) **United States Design Patent**
Rajakaruna

(10) **Patent No.:** **US D629,747 S**

(45) **Date of Patent:** **** Dec. 28, 2010**

(54) **RECHARGE STATION**

(75) Inventor: **Joseph Rajakaruna**, Santa Rosa, CA
(US)

(73) Assignee: **Zap**, Santa Rosa, CA (US)

(**) Term: **14 Years**

(21) Appl. No.: **29/358,010**

(22) Filed: **Mar. 21, 2010**

(51) **LOC (9) Cl.** **13-02**

(52) **U.S. Cl.** **D13/107**

(58) **Field of Classification Search** D13/107–110,
D13/118–119, 139.5, 184; D14/251, 253,
D14/432, 434, 435.1; 320/107–115
See application file for complete search history.

(56) **References Cited**

U.S. PATENT DOCUMENTS

D237,718 S *	11/1975	Bozich	D13/139.5
D270,831 S *	10/1983	Jensen	D13/139.5
D358,951 S *	6/1995	Raynor	D6/421
D361,538 S *	8/1995	Hill et al.	D13/110
5,461,299 A *	10/1995	Bruni	320/108
D434,001 S *	11/2000	Sayger	D13/139.5
6,459,234 B2 *	10/2002	Kajiura	320/109
D597,937 S *	8/2009	Haw et al.	D13/107
D608,731 S *	1/2010	Amit	D13/107
D608,733 S *	1/2010	Smith	D13/107

D608,734 S *	1/2010	Smith	D13/107
D613,683 S *	4/2010	Baxter et al.	D13/107
D618,168 S *	6/2010	Baxter et al.	D13/107

* cited by examiner

Primary Examiner—Rosemary K Tarcza

(74) *Attorney, Agent, or Firm*—Tran & Associates

(57) **CLAIM**

The ornamental design for a recharge station, as shown and described.

DESCRIPTION

FIG. 1 is a front perspective view of a recharge station showing the design.

FIG. 2 is a front elevational view of the recharge station showing the design.

FIG. 3 is a rear elevational view of the recharge station showing the design.

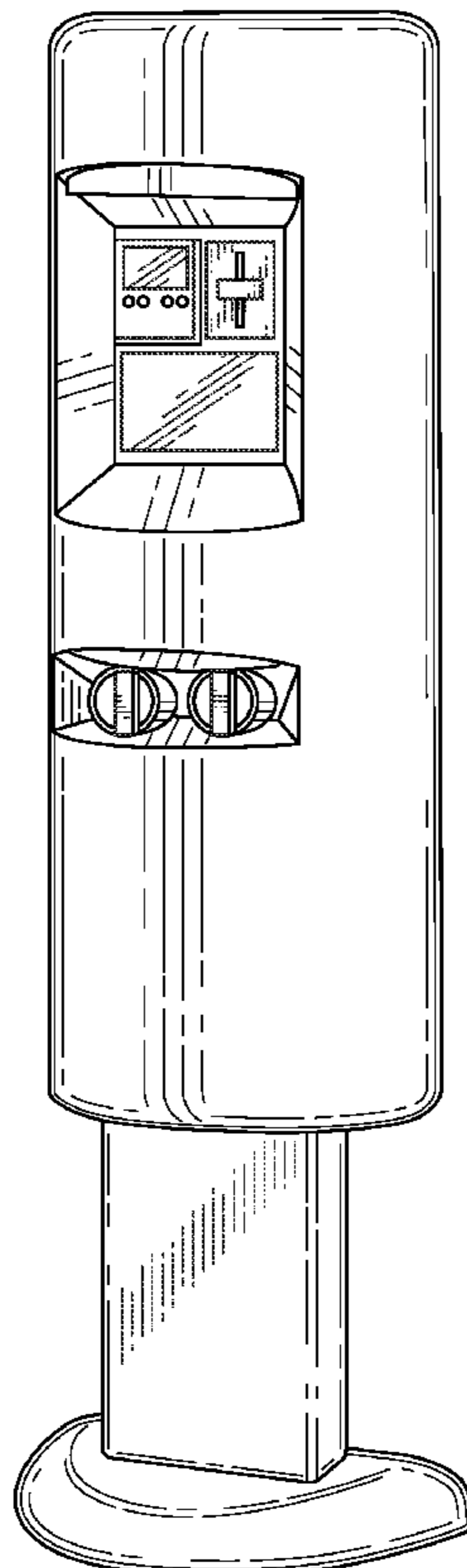
FIG. 4 is a right side elevational view of the recharge station showing the design.

FIG. 5 is a left side elevational view of the recharge station showing the design.

FIG. 6 is a top plan view of the recharge station showing the design; and,

FIG. 7 is a bottom plan view of the recharge station showing the design.

1 Claim, 4 Drawing Sheets



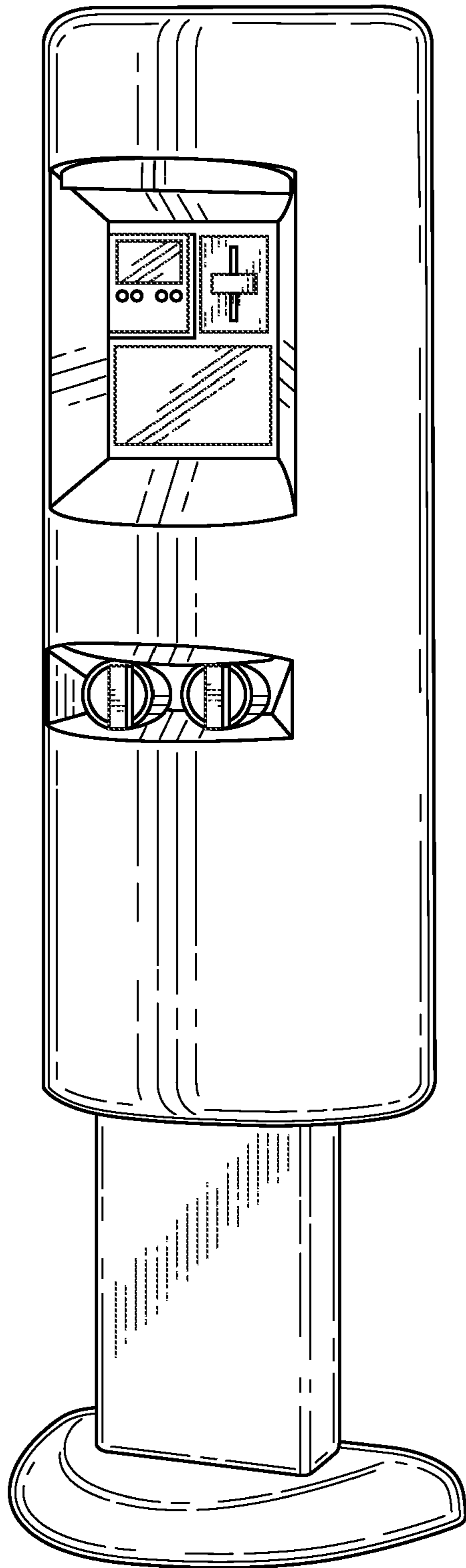


FIG. 1

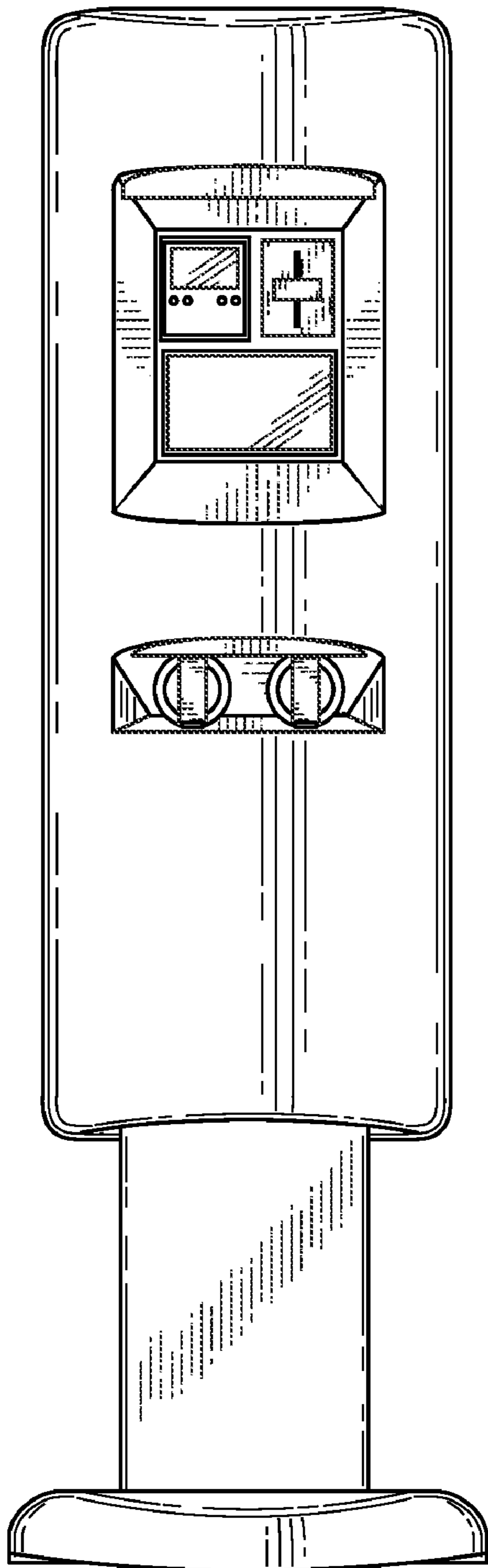


FIG. 2

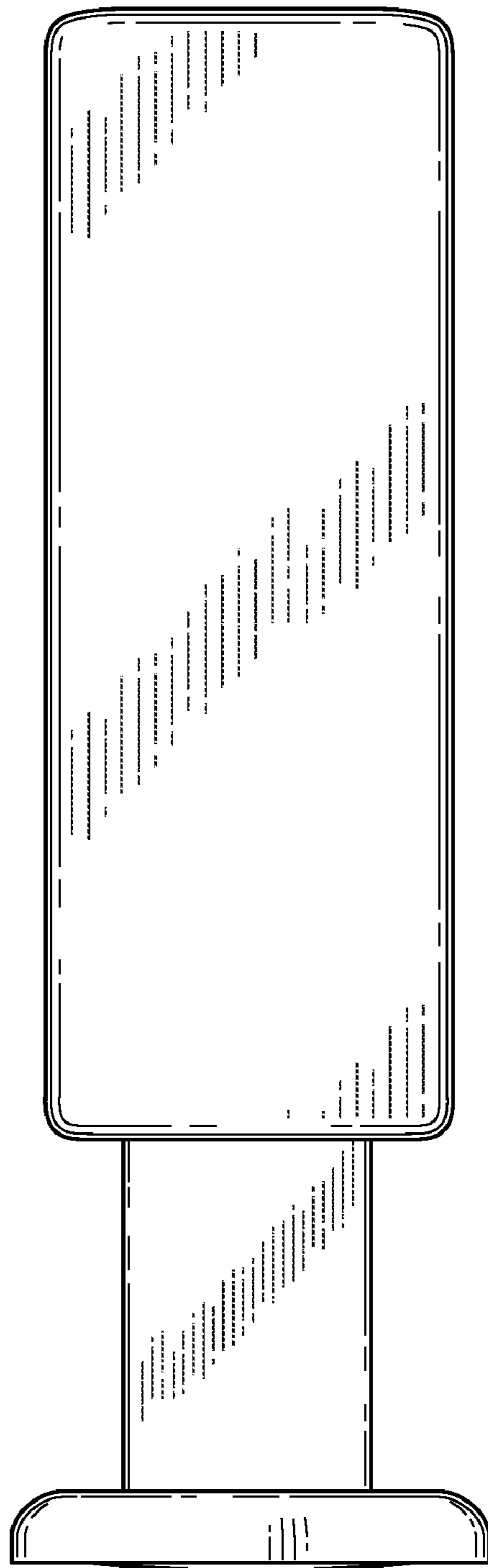


FIG. 3

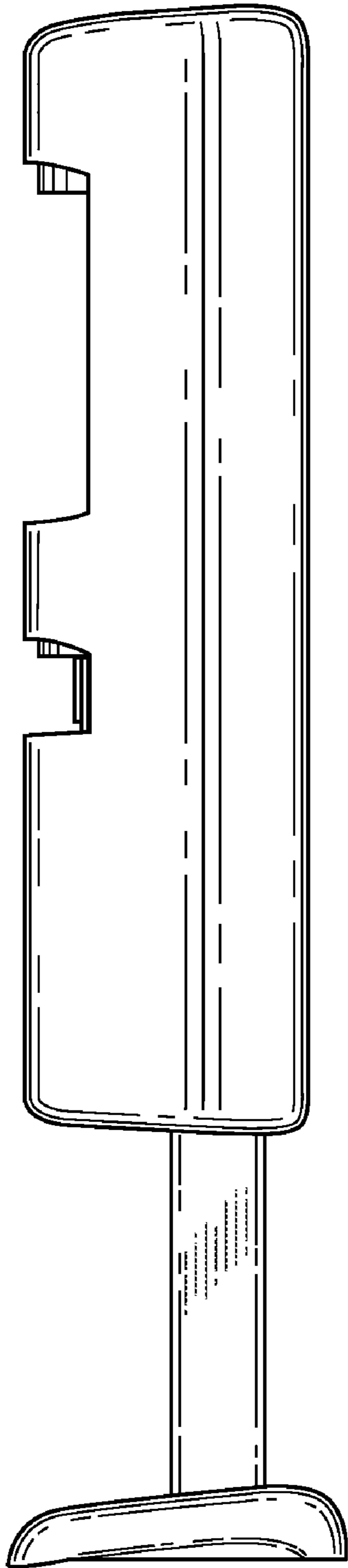


FIG. 4

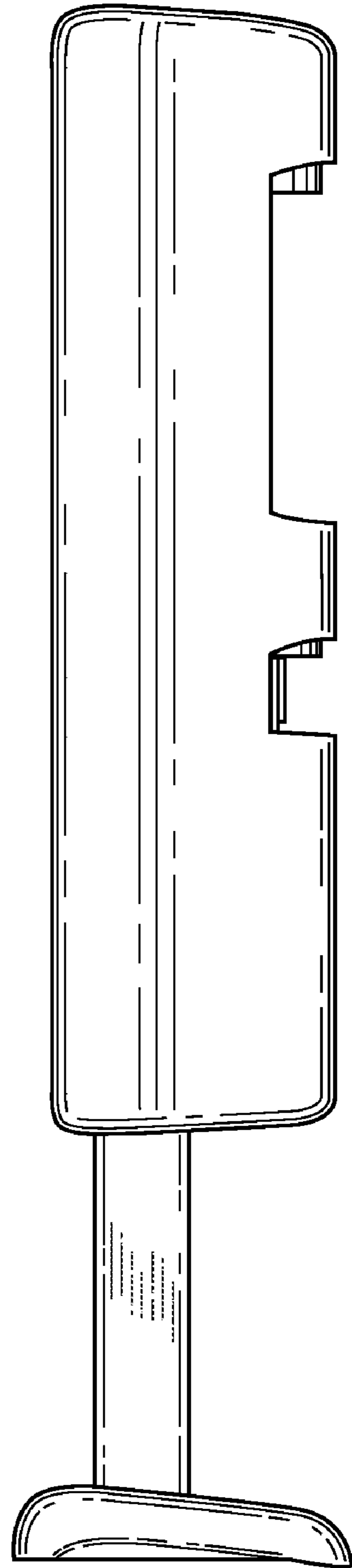


FIG. 5

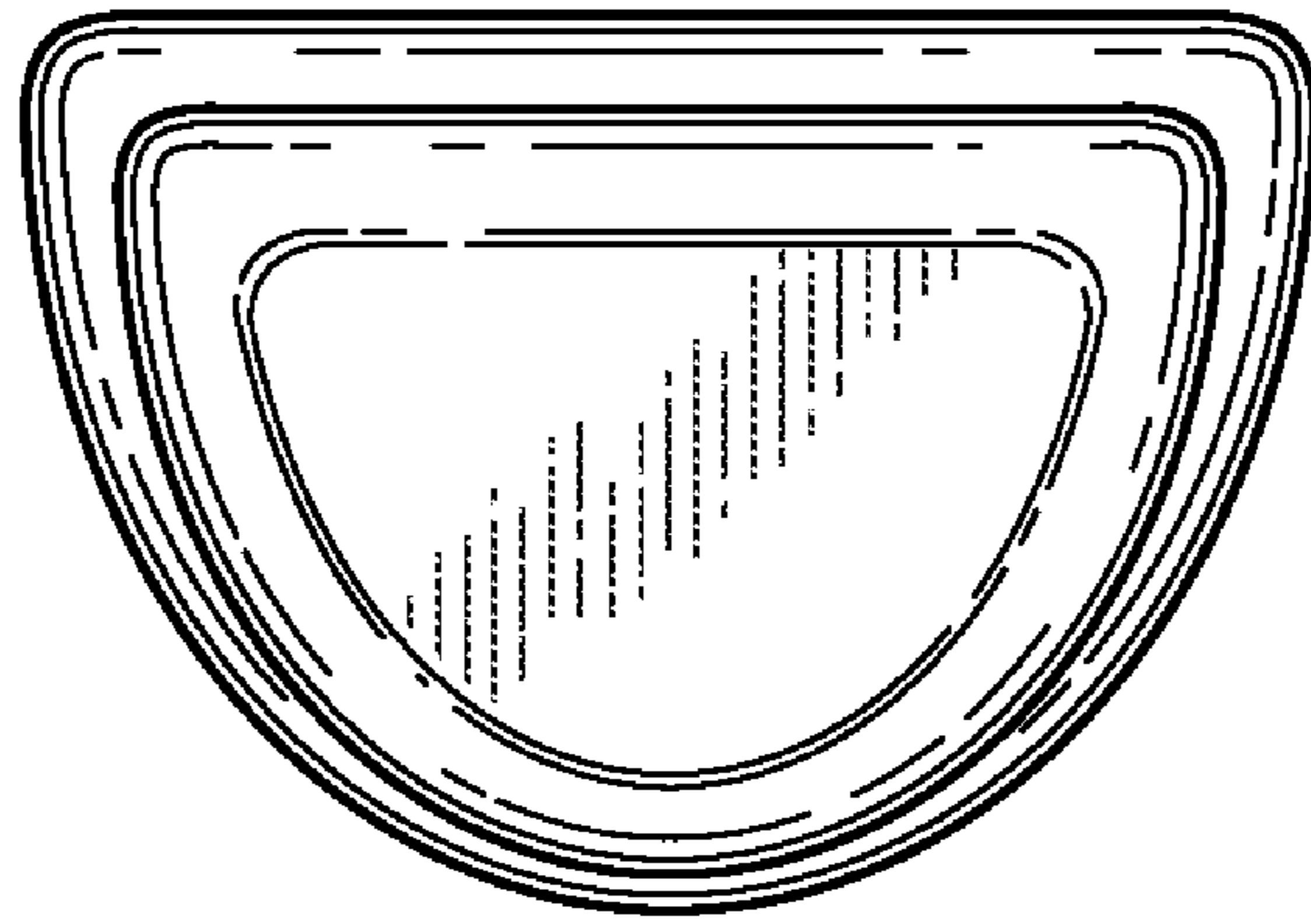


FIG. 6

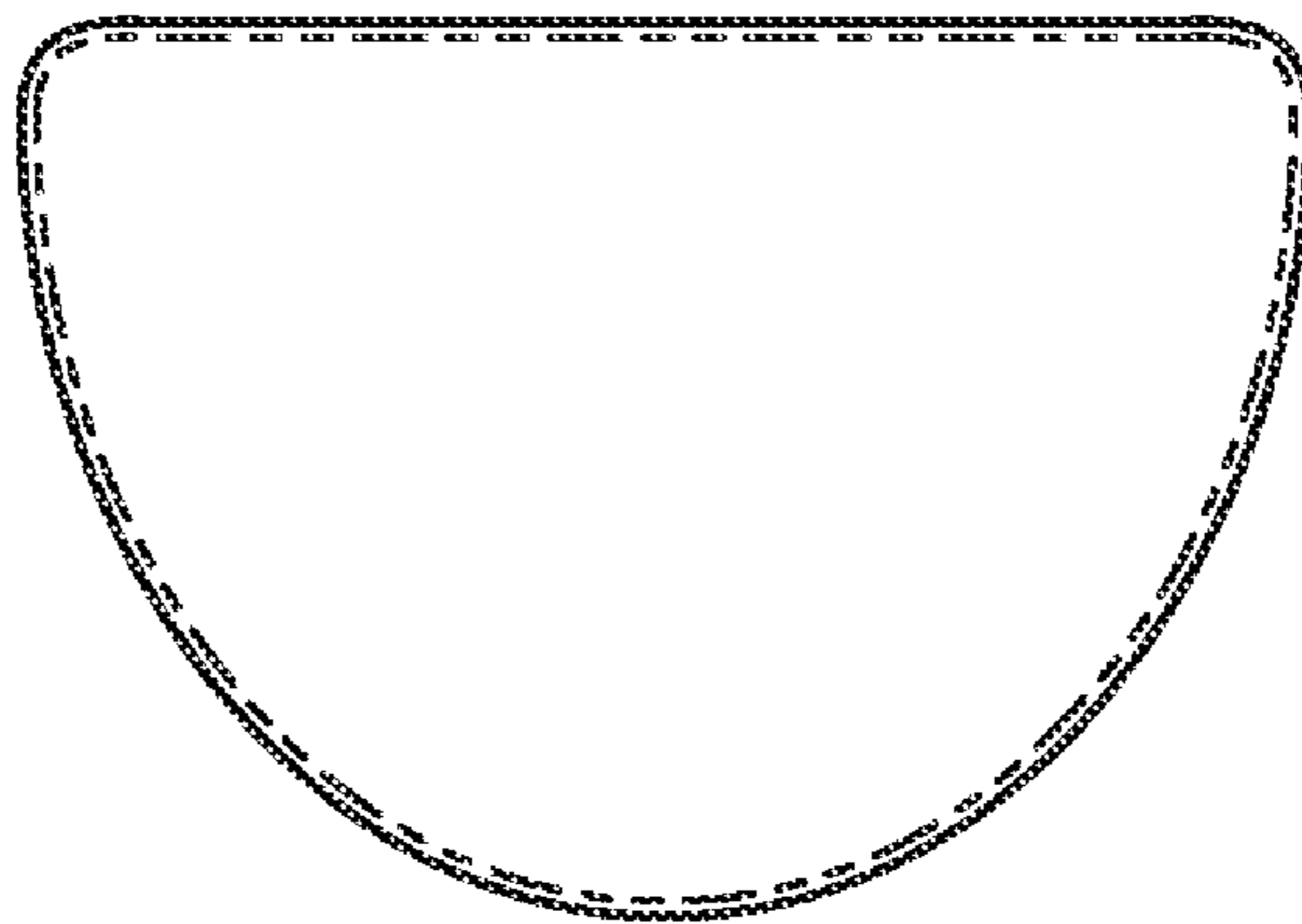


FIG. 7