



US00D629743S

(12) **United States Design Patent**
Oki

(10) **Patent No.:** **US D629,743 S**

(45) **Date of Patent:** **** Dec. 28, 2010**

(54) **TIRE TREAD**

(75) Inventor: **Futoshi Oki**, Tokyo (JP)

(73) Assignee: **Bridgestone Corporation**, Tokyo (JP)

(**) Term: **14 Years**

(21) Appl. No.: **29/359,562**

(22) Filed: **Apr. 13, 2010**

Related U.S. Application Data

(62) Division of application No. 29/335,052, filed on Apr. 8, 2009.

(51) **LOC (9) Cl.** **12-15**

(52) **U.S. Cl.** **D12/559**

(58) **Field of Classification Search** D12/503,
D12/505, 533, 534, 535, 536, 537, 543, 547,
D12/548, 549, 550, 559, 564, 565, 566, 567,
D12/568, 569-572, 579, 583-588, 594, 595,
D12/596, 597, 598, 599, 600-604; 152/209.1,
152/209.8, 209.9, 209.18, 209.25, 209.28
See application file for complete search history.

(56) **References Cited**

U.S. PATENT DOCUMENTS

D541,736 S	5/2007	Helt
D556,671 S	12/2007	Nonaka
D559,772 S	1/2008	Souchet
D563,861 S	3/2008	Foucher
D567,751 S	4/2008	Cazin-Bourguignon et al.
D571,285 S	6/2008	Ochi

D583,310 S	12/2008	Dixon et al.
D589,436 S	3/2009	Beha et al.
D590,327 S	4/2009	Barrett
D601,083 S	9/2009	Williamson et al.
D604,232 S	11/2009	Gannon et al.
D605,811 S	12/2009	Salatto-Rose

FOREIGN PATENT DOCUMENTS

EM	000810528-0001 S	11/2007
EM	000810544-0001 S	11/2007
JP	1298531 S	4/2007
JP	1299691 S	5/2007
JP	1326333 S	1/2009
JP	1333182 S	2/2009

Primary Examiner—Caron Veynar

Assistant Examiner—Katrina A Kile

(74) *Attorney, Agent, or Firm*—Sughrue Mion, PLLC

(57) **CLAIM**

The ornamental design for a tire tread, as shown and described.

DESCRIPTION

FIG. 1 is a perspective view of a tire tread, it being understood that the tread pattern repeats uniformly throughout the circumference of the tire.

FIG. 2 is a front elevation view thereof.

FIG. 3 is a left side elevation view thereof; and,

FIG. 4 is an enlarged fragmentary front view thereof.

In the drawings, the broken lines show the sidewall of the tire and form no part of the claimed design.

1 Claim, 4 Drawing Sheets

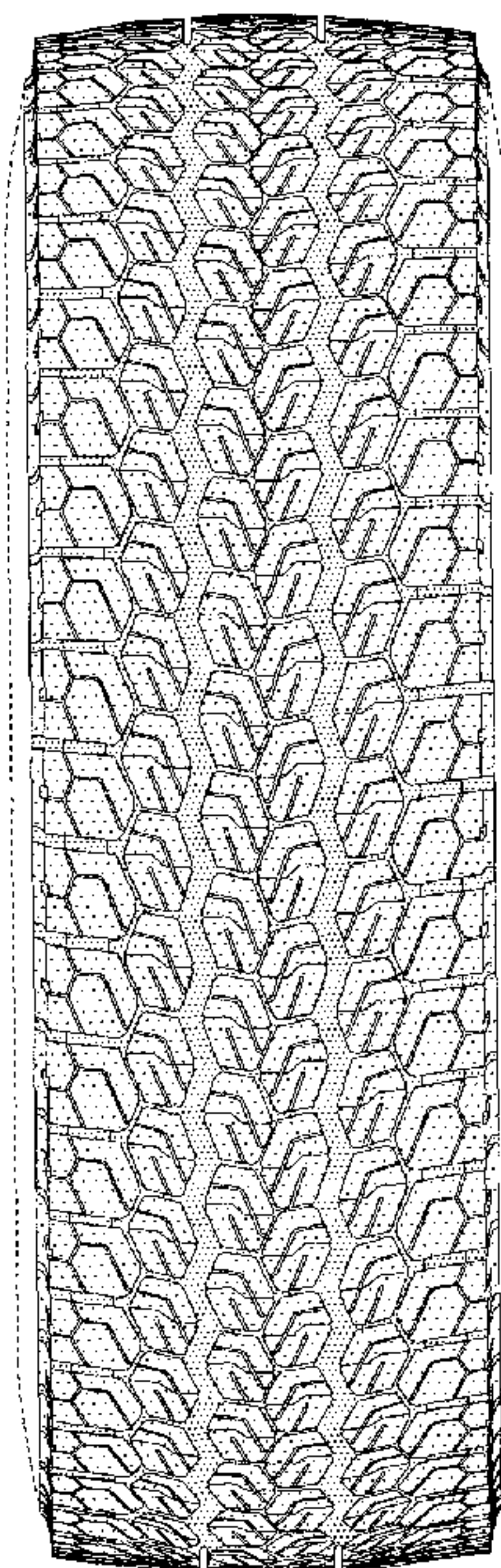


FIG. 1

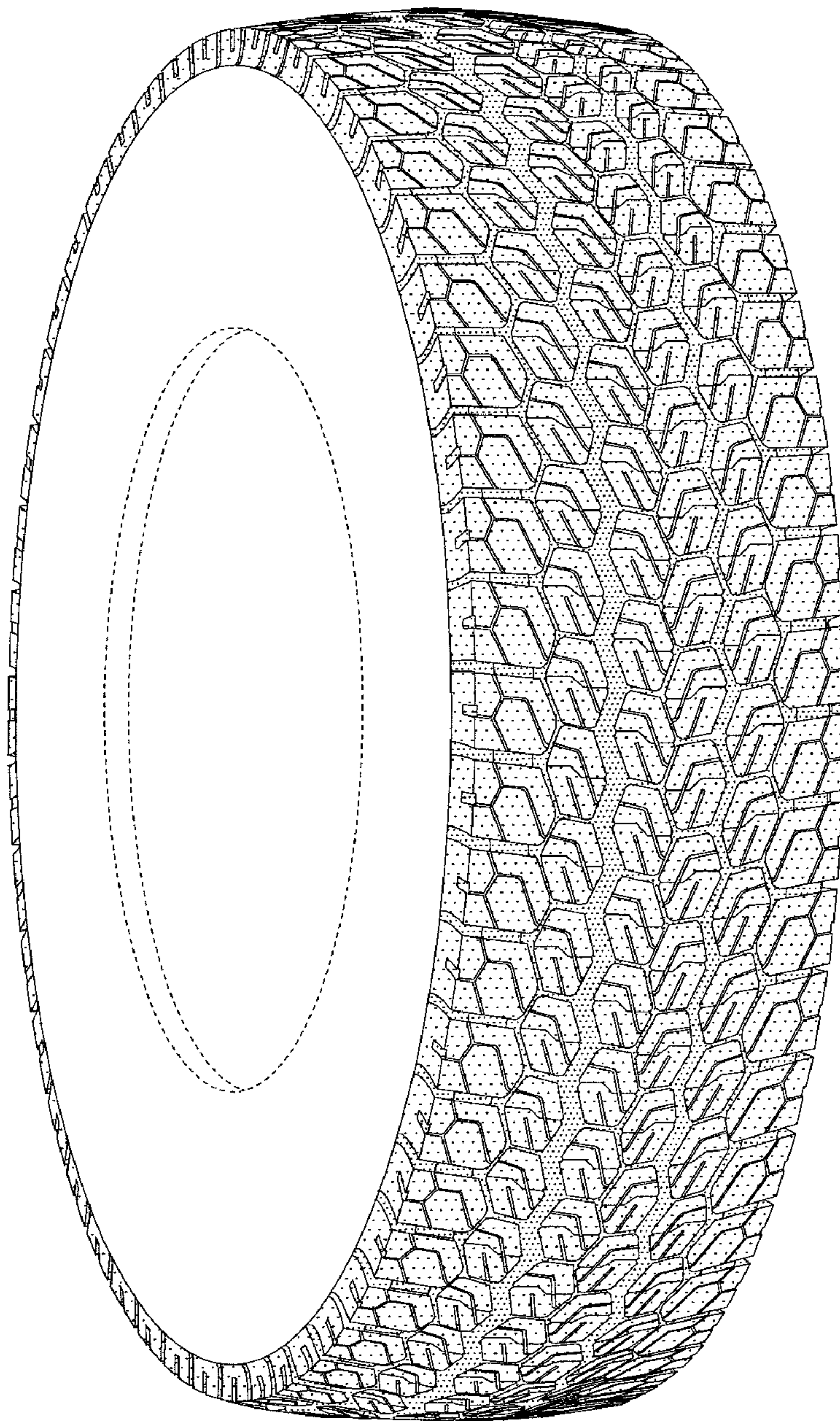


FIG. 2

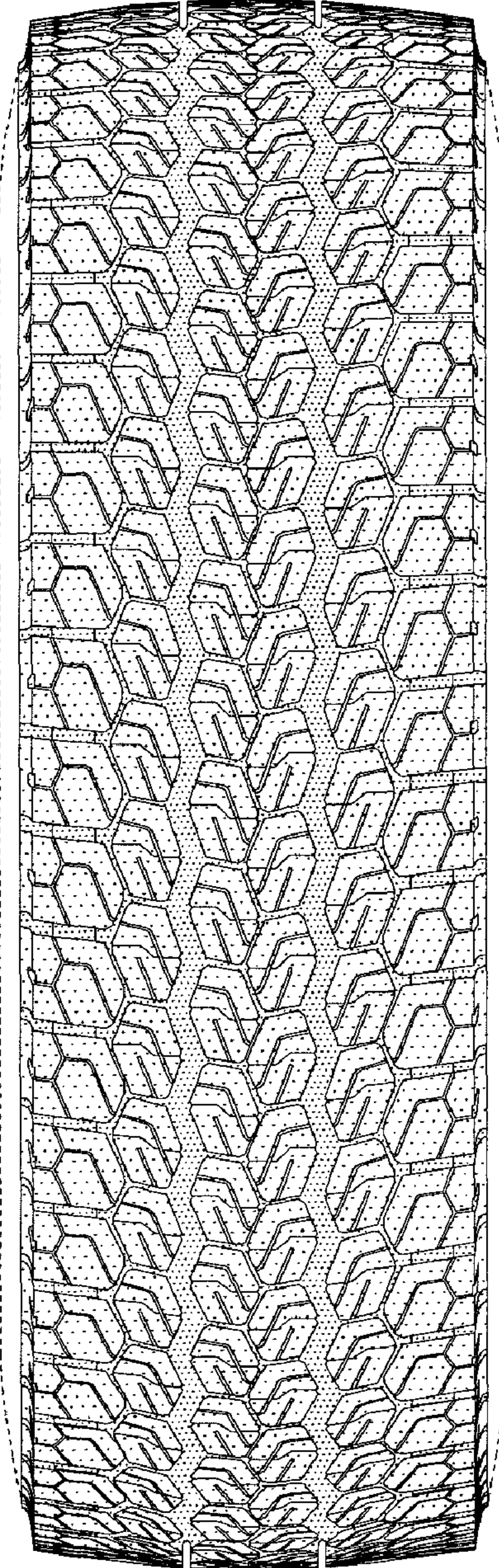


FIG. 3

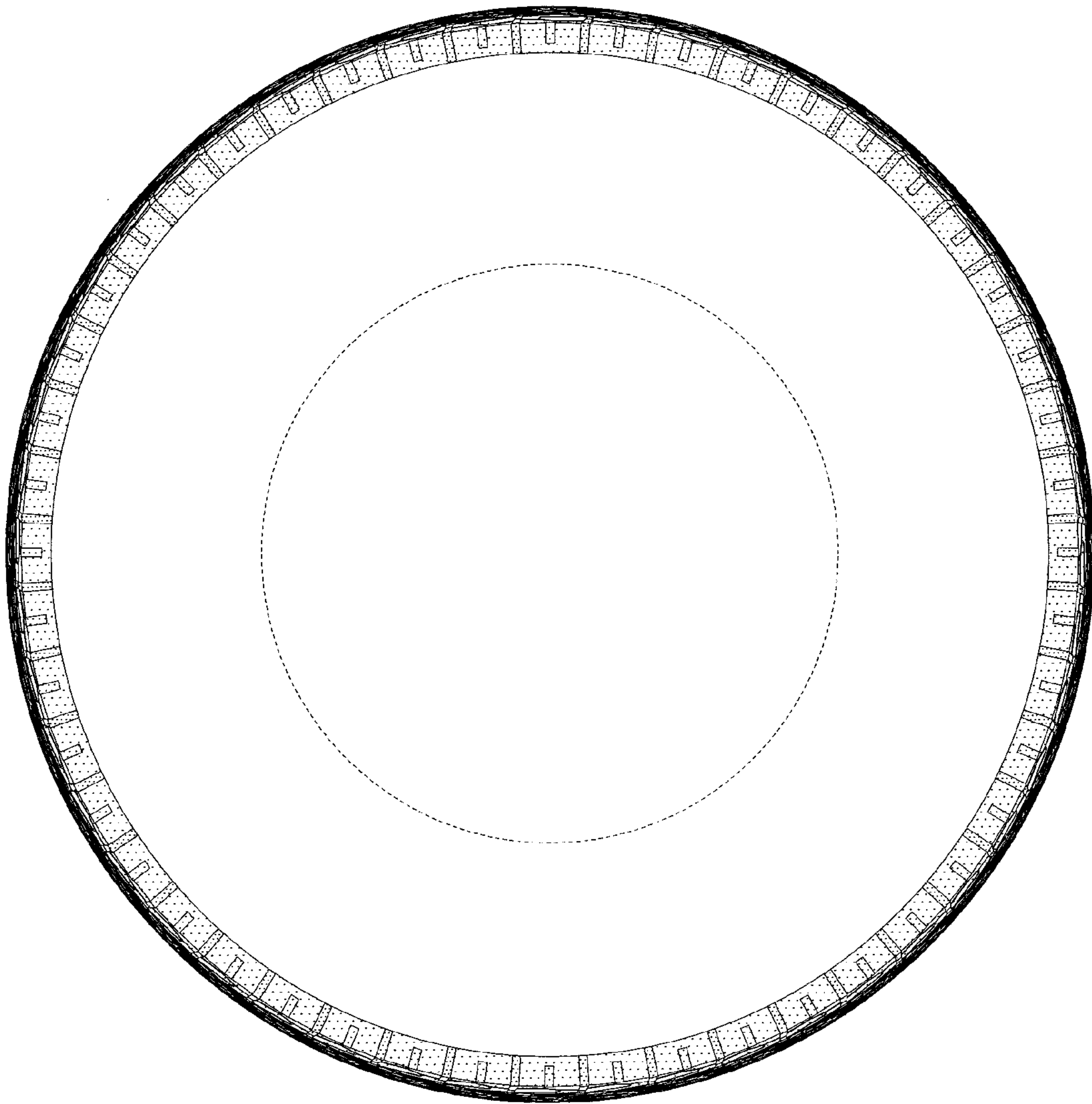


FIG. 4

