

US00D629737S

(12) **United States Design Patent**
Betsch

(10) **Patent No.:** **US D629,737 S**

(45) **Date of Patent:** **** Dec. 28, 2010**

(54) **AIRPLANE**

(76) Inventor: **Matthias Betsch**, Grünewaldstrasse 38a,
Stuttgart (DE) 70192

(**) Term: **14 Years**

(21) Appl. No.: **29/365,625**

(22) Filed: **Jul. 12, 2010**

Related U.S. Application Data

(62) Division of application No. 29/313,582, filed on Jan.
23, 2009, now Pat. No. Des. 621,774.

(30) **Foreign Application Priority Data**

Jul. 25, 2008 (EM) 000 977 012

(51) **LOC (9) Cl.** **12-07**

(52) **U.S. Cl.** **D12/319**

(58) **Field of Classification Search** D12/319,
D12/333, 337, 339, 344, 345; D21/447;
446/30, 56; 244/13, 15, 45 R, 45 A, 211–213
See application file for complete search history.

(56) **References Cited**

U.S. PATENT DOCUMENTS

D156,694 S * 1/1950 Boyajian et al. D12/324

D271,294 S * 11/1983 Hauk D12/344
D304,821 S * 11/1989 Ratony D12/331
5,150,860 A * 9/1992 Young 244/63
D351,872 S * 10/1994 Bates D21/478
D582,832 S * 12/2008 Dornier D12/337
D596,267 S * 7/2009 Colgren et al. D12/319

* cited by examiner

Primary Examiner—Cathron C. Brooks

Assistant Examiner—Maurice Stevens

(74) *Attorney, Agent, or Firm*—Hedman & Costigan PC;
Kathleen A. Costigan

(57) **CLAIM**

I claim the ornamental design for an airplane, as shown and
described.

DESCRIPTION

FIG. 1 is a front elevation view of the airplane of the present
invention;

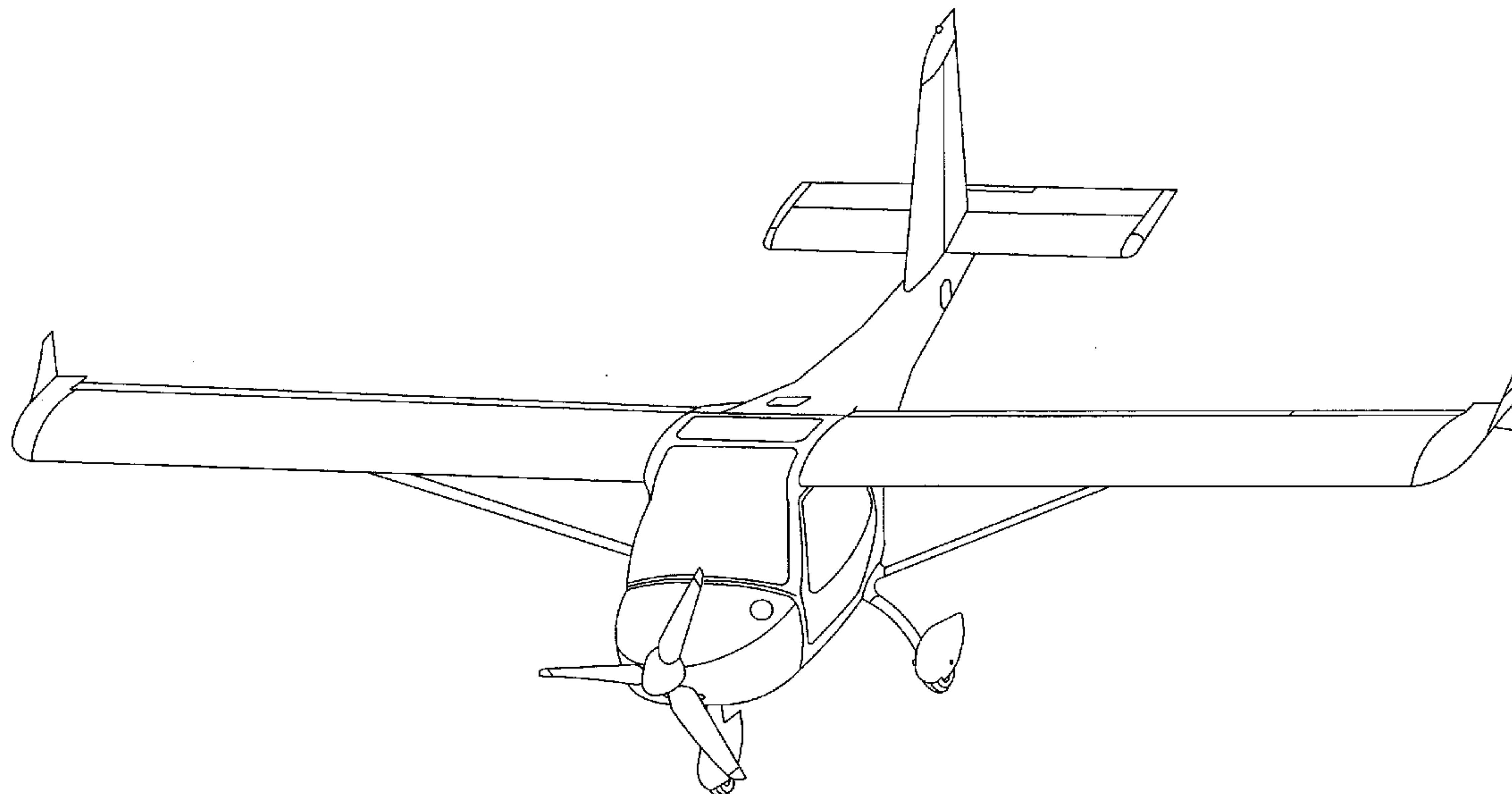
FIG. 2 is a rear elevation view;

FIG. 3 is a right side elevation view;

FIG. 4 is a top plan view; and,

FIG. 5 is a perspective view.

1 Claim, 5 Drawing Sheets



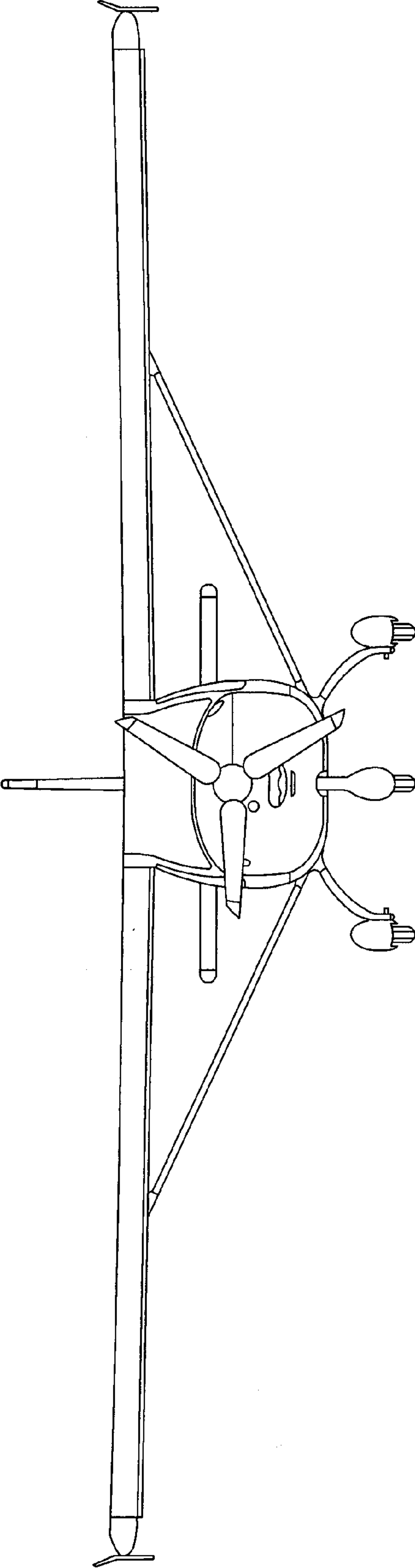


FIG. 1

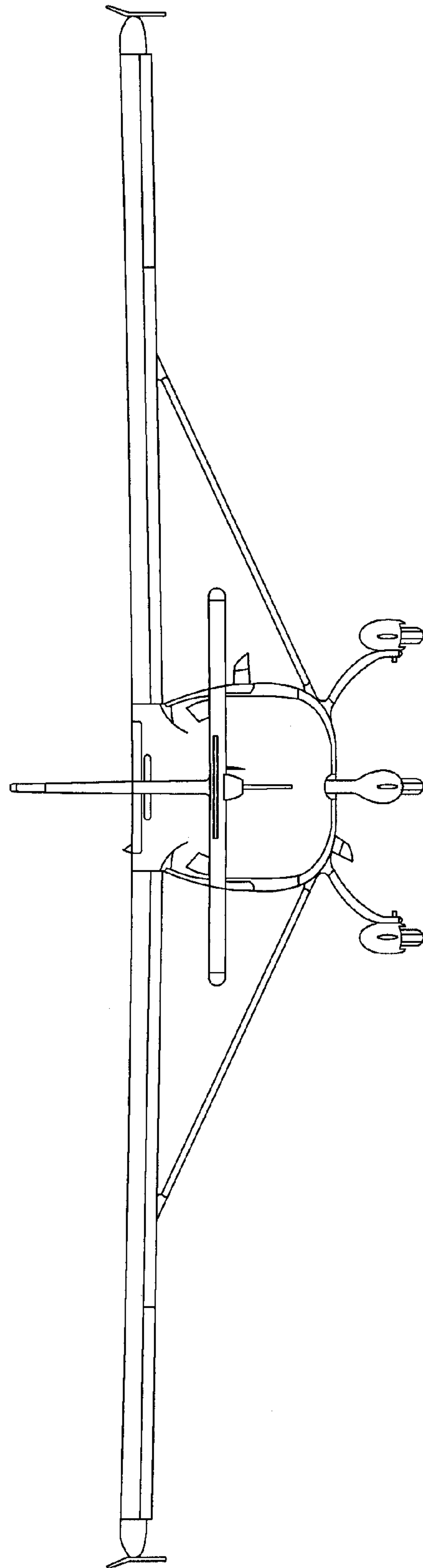


FIG. 2

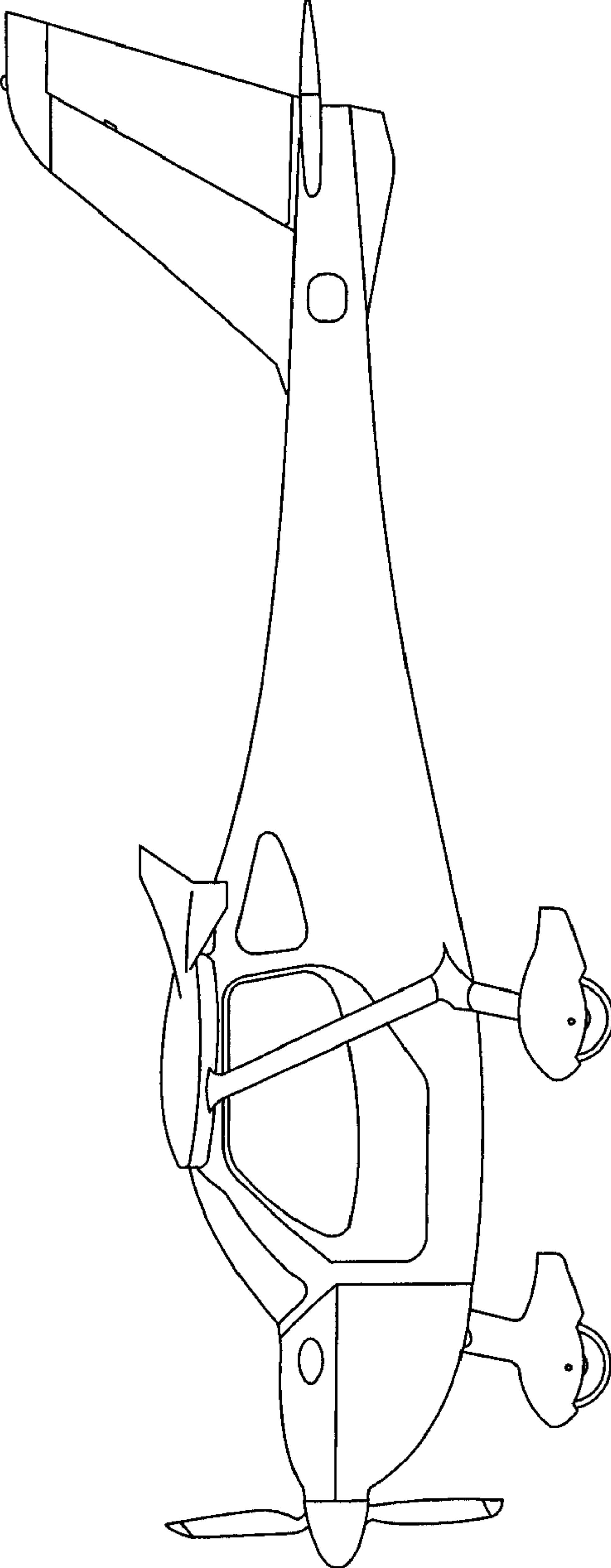


FIG. 3

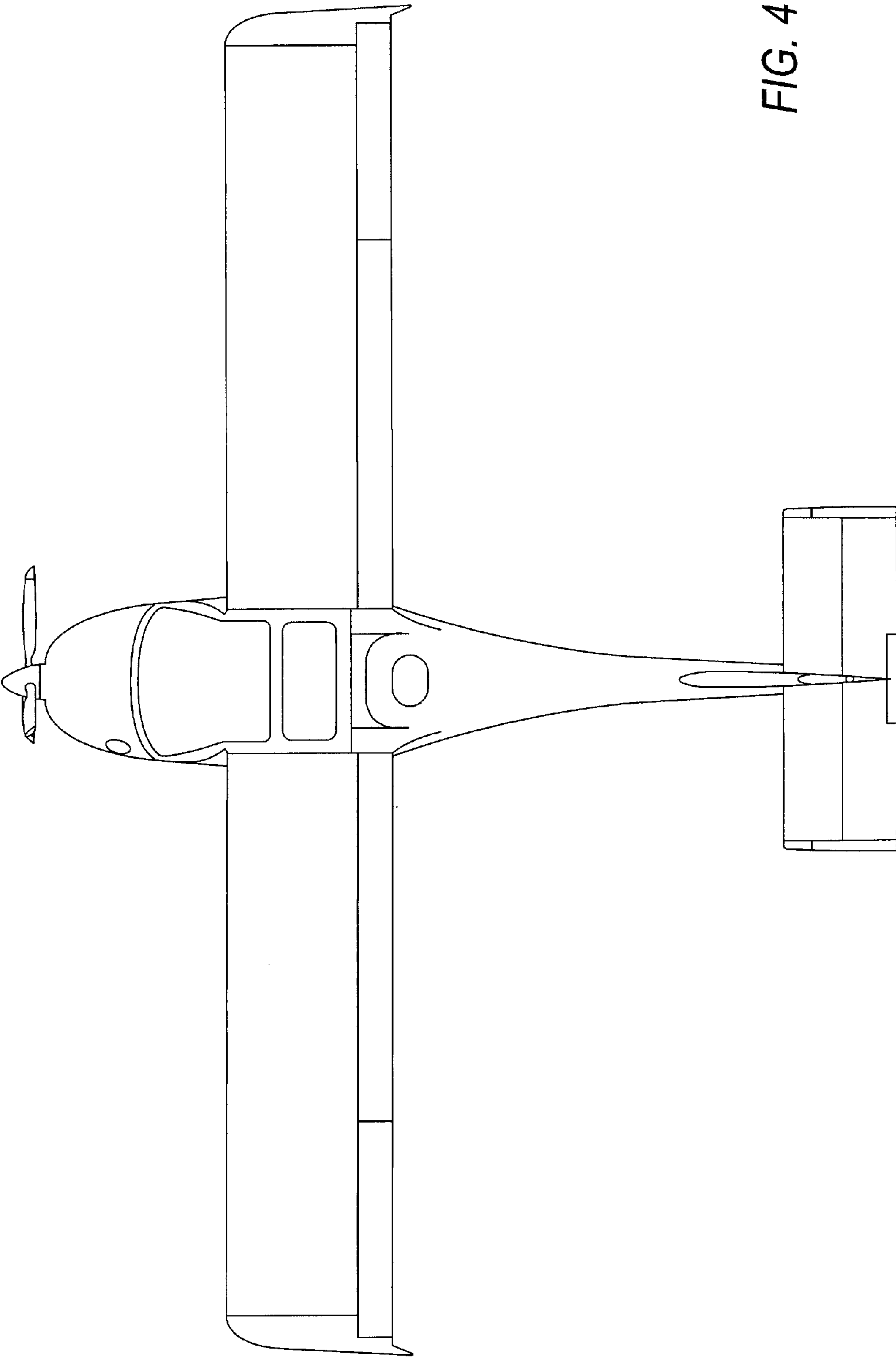


FIG. 4

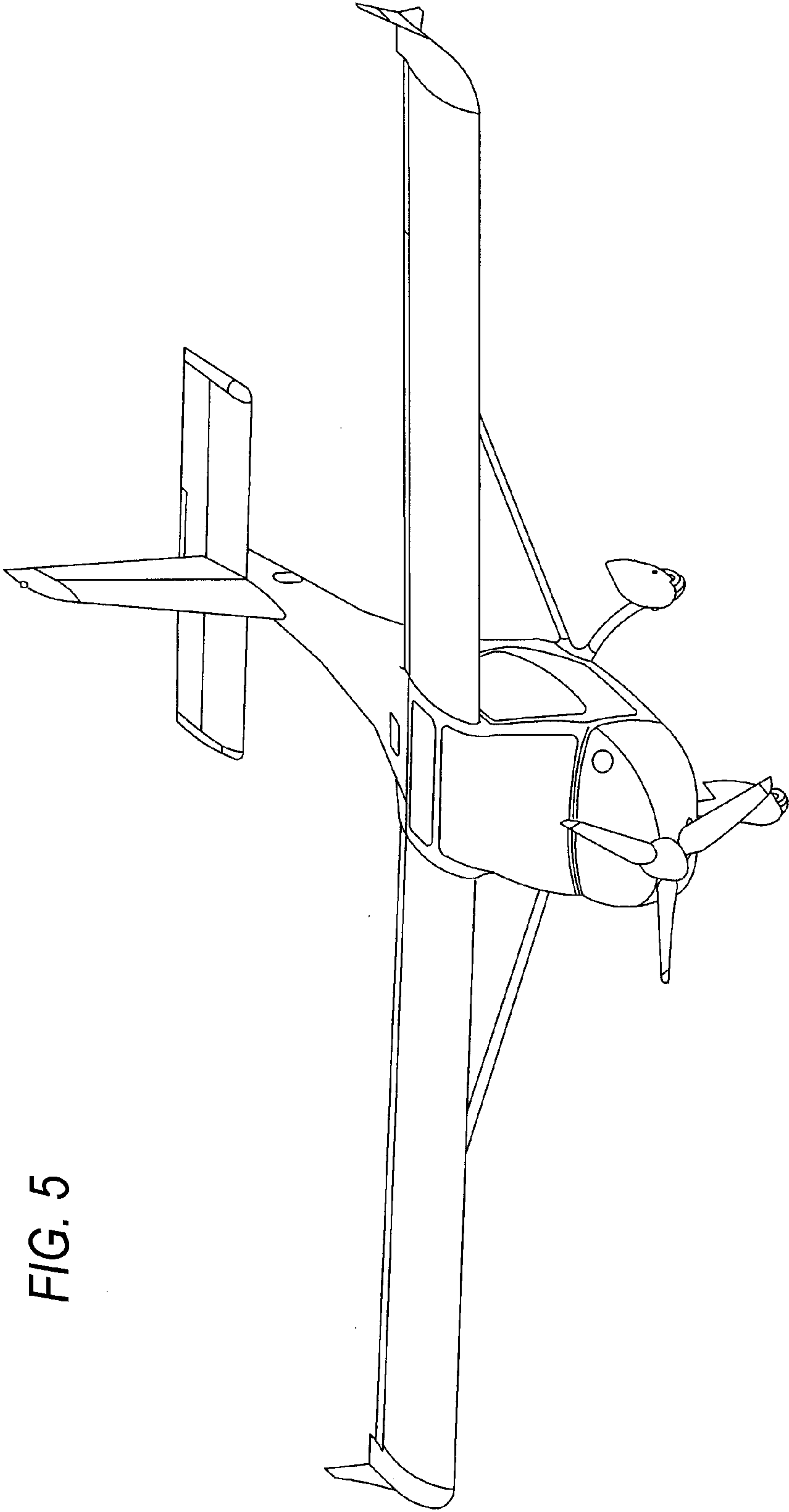


FIG. 5