



US00D629734S

(12) **United States Design Patent**  
**Batchelor**

(10) **Patent No.:** **US D629,734 S**

(45) **Date of Patent:** **\*\* Dec. 28, 2010**

(54) **WHEEL SPOKE RIM**

(76) **Inventor:** **Robert Batchelor**, 1840 S Milliken Ave., Ontario, CA (US) 91761

(\*\*) **Term:** **14 Years**

(21) **Appl. No.:** **29/366,600**

(22) **Filed:** **Jul. 27, 2010**

(51) **LOC (9) Cl.** ..... **12-16**

(52) **U.S. Cl.** ..... **D12/211**

(58) **Field of Classification Search** ..... D12/204–213;  
301/37.101, 64.101, 65, 64.201

See application file for complete search history.

(56) **References Cited**

**U.S. PATENT DOCUMENTS**

D459,692 S *	7/2002	Vian	.....	D12/211
D463,349 S *	9/2002	Vian	.....	D12/209
D470,812 S *	2/2003	Chu	.....	D12/211
D505,905 S *	6/2005	Walbey, Jr.	.....	D12/209
D512,361 S *	12/2005	Cornell	.....	D12/211
D534,851 S *	1/2007	Kim	.....	D12/209
D549,634 S *	8/2007	Foose	.....	D12/211
D573,933 S *	7/2008	Young	.....	D12/209

D578,458 S *	10/2008	Cortes	.....	D12/211
D578,459 S *	10/2008	Hetrick	.....	D12/211
D585,808 S *	2/2009	Hetrick	.....	D12/211
D597,012 S *	7/2009	Chung	.....	D12/211
D620,869 S *	8/2010	Groom	.....	D12/211

\* cited by examiner

*Primary Examiner*—Stacia Cadmus

(74) *Attorney, Agent, or Firm*—Dariush G. Adli; Yun “Louise” Lu; Adli Law Group P.C.

(57) **CLAIM**

The ornamental design for a wheel spoke rim, as shown and described.

**DESCRIPTION**

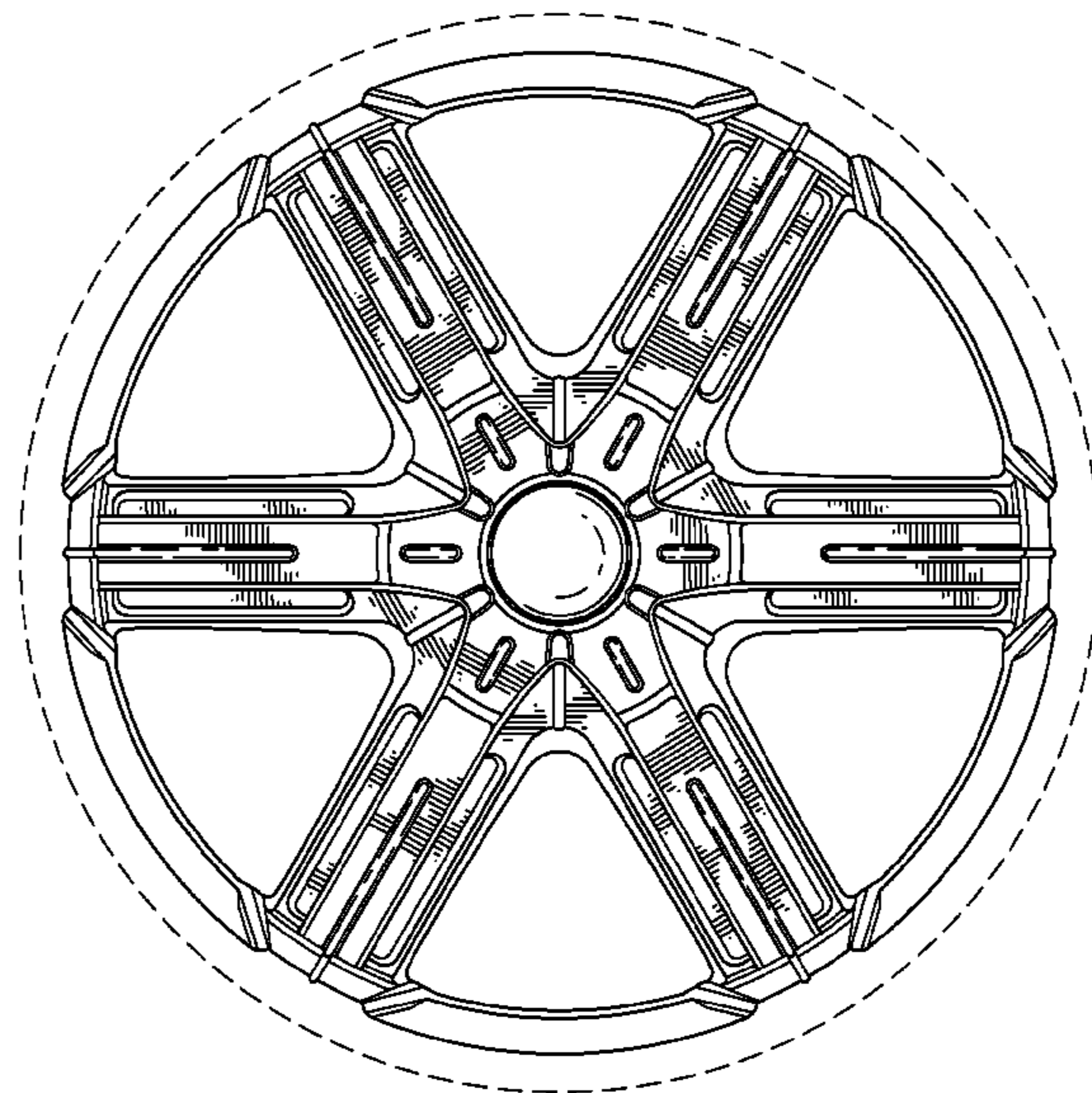
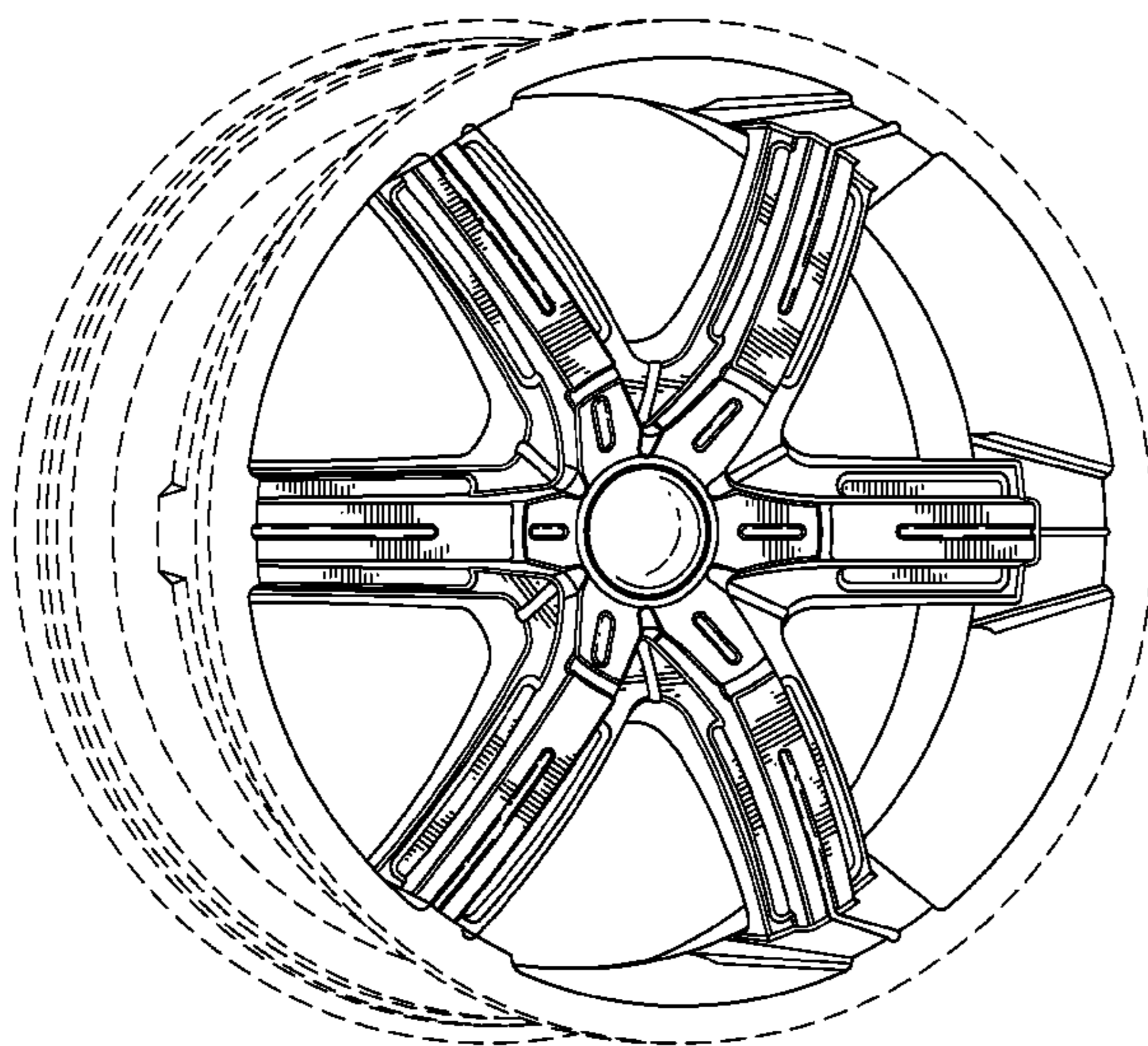
FIG. 1 is a perspective view of the wheel spoke rim;

FIG. 2 is a front view of the wheel spoke rim; and,

FIG. 3 is a side view of the wheel spoke rim, with other sides being mirror images thereof.

The broken line showing of the rim is included for the purpose of illustrating environment and forms no part of the claimed design.

**1 Claim, 2 Drawing Sheets**



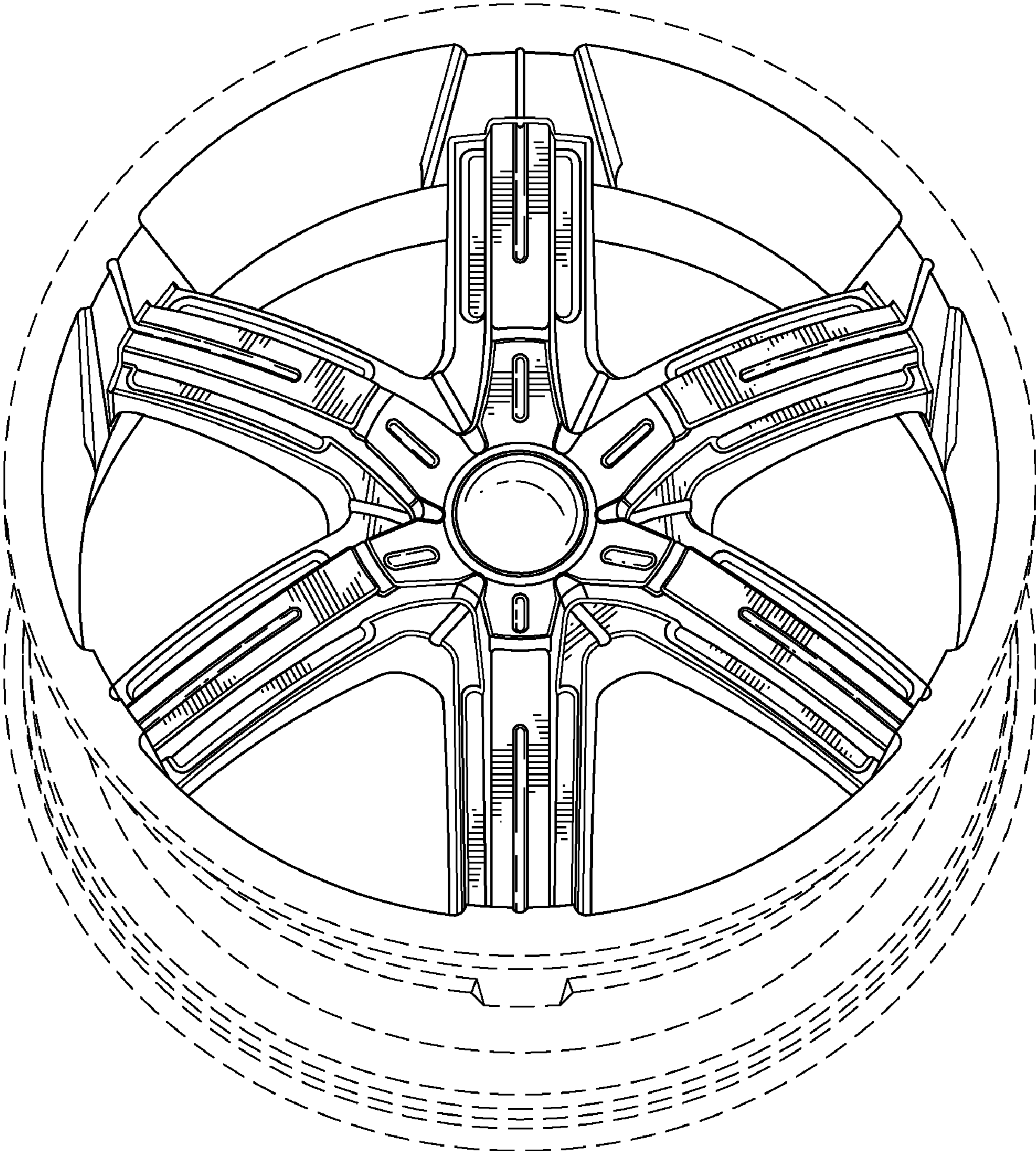


FIG. 1



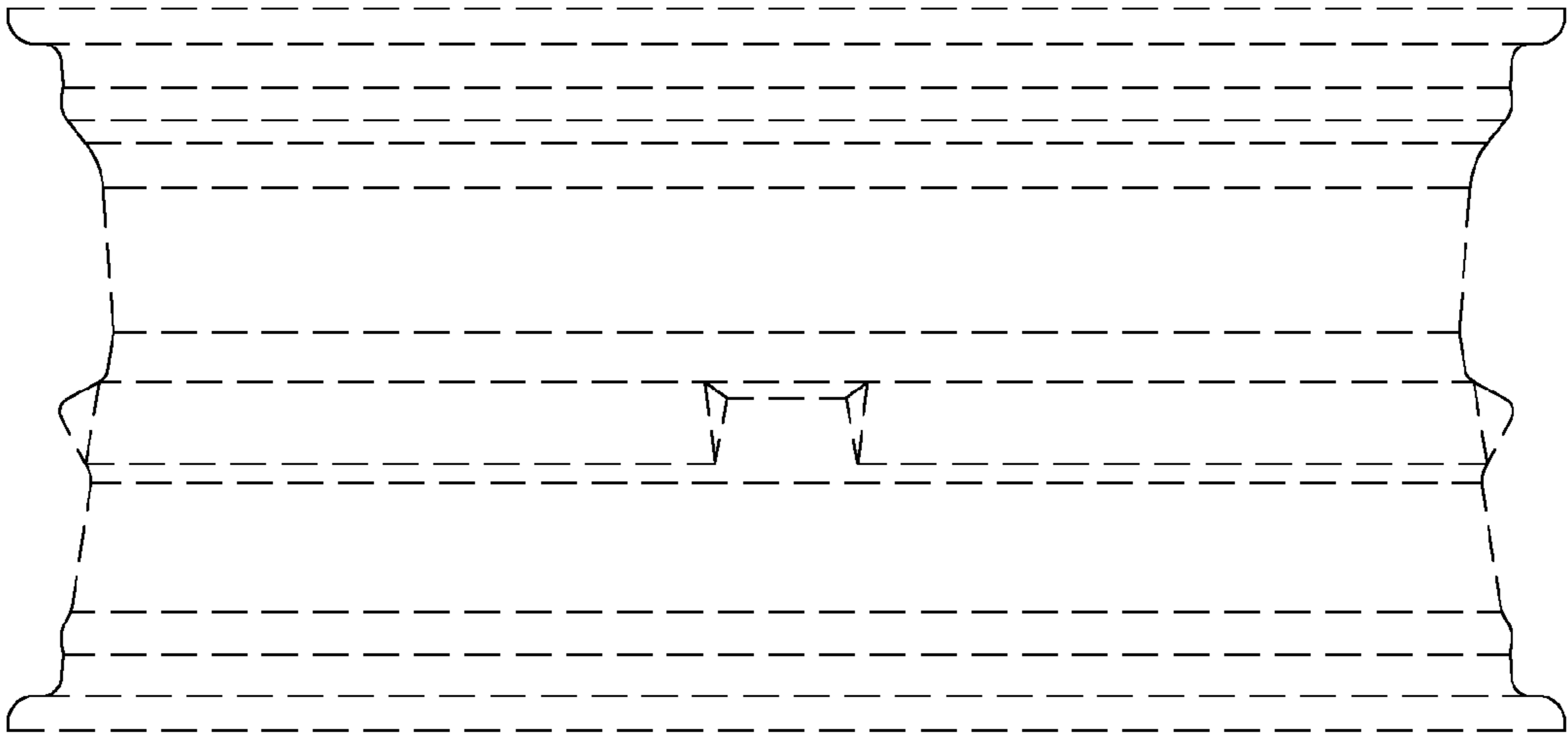


FIG. 3

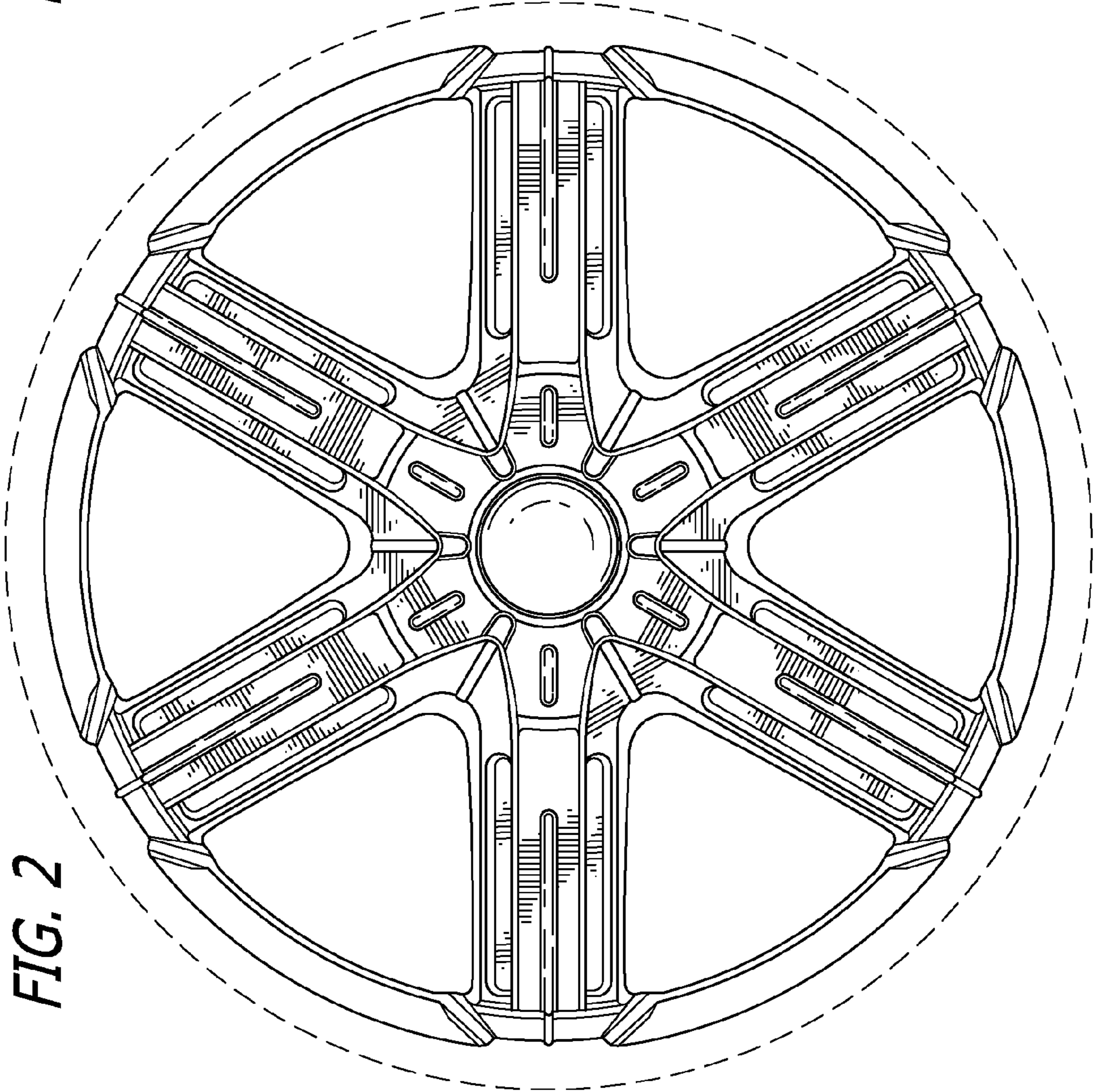


FIG. 2