



US00D629732S

(12) **United States Design Patent**  
**Tirado**

(10) **Patent No.:** **US D629,732 S**

(45) **Date of Patent:** **\*\* Dec. 28, 2010**

(54) **FRONT FACE OF VEHICLE WHEEL**

(75) Inventor: **Mark Tirado**, Huntington Beach, CA  
(US)

(73) Assignee: **Diablo Racing, Inc.**, Baldwin Park, CA  
(US)

(\*\*) Term: **14 Years**

(21) Appl. No.: **29/365,746**

(22) Filed: **Jul. 14, 2010**

(51) **LOC (9) Cl.** ..... **12-16**

(52) **U.S. Cl.** ..... **D12/209**

(58) **Field of Classification Search** ..... D12/204-213;  
301/37.101, 64.101, 65, 64.201  
See application file for complete search history.

(56) **References Cited**

**U.S. PATENT DOCUMENTS**

D471,851 S *	3/2003	McMath	.....	D12/209
D485,524 S *	1/2004	Bhambra	.....	D12/209
D505,650 S *	5/2005	Tirado	.....	D12/209
D539,720 S *	4/2007	Looho	.....	D12/209
D554,035 S *	10/2007	Groom	.....	D12/209
D572,651 S *	7/2008	Schweizer	.....	D12/211

D583,740 S *	12/2008	Frizzi	.....	D12/209
D585,805 S *	2/2009	Friedrich et al.	.....	D12/209
D586,715 S *	2/2009	Cortes	.....	D12/211
D593,018 S *	5/2009	Juergens et al.	.....	D12/209
D617,710 S *	6/2010	Ectors et al.	.....	D12/209
D617,722 S *	6/2010	Zhao	.....	D12/211
D619,070 S *	7/2010	Pollmann	.....	D12/209
D619,074 S *	7/2010	Zhao	.....	D12/211
D620,865 S *	8/2010	Park	.....	D12/209

\* cited by examiner

*Primary Examiner*—Stacia Cadmus

(74) *Attorney, Agent, or Firm*—Christie, Parker & Hale, LLP

(57) **CLAIM**

The ornamental design for front face of vehicle wheel, as shown and described.

**DESCRIPTION**

FIG. 1 is a perspective view of the front face of a vehicle wheel according to the present invention; and,

FIG. 2 is a front elevational view thereof.

The broken line showing of environment is for illustrative purposes only and forms no part of the claimed design.

**1 Claim, 2 Drawing Sheets**

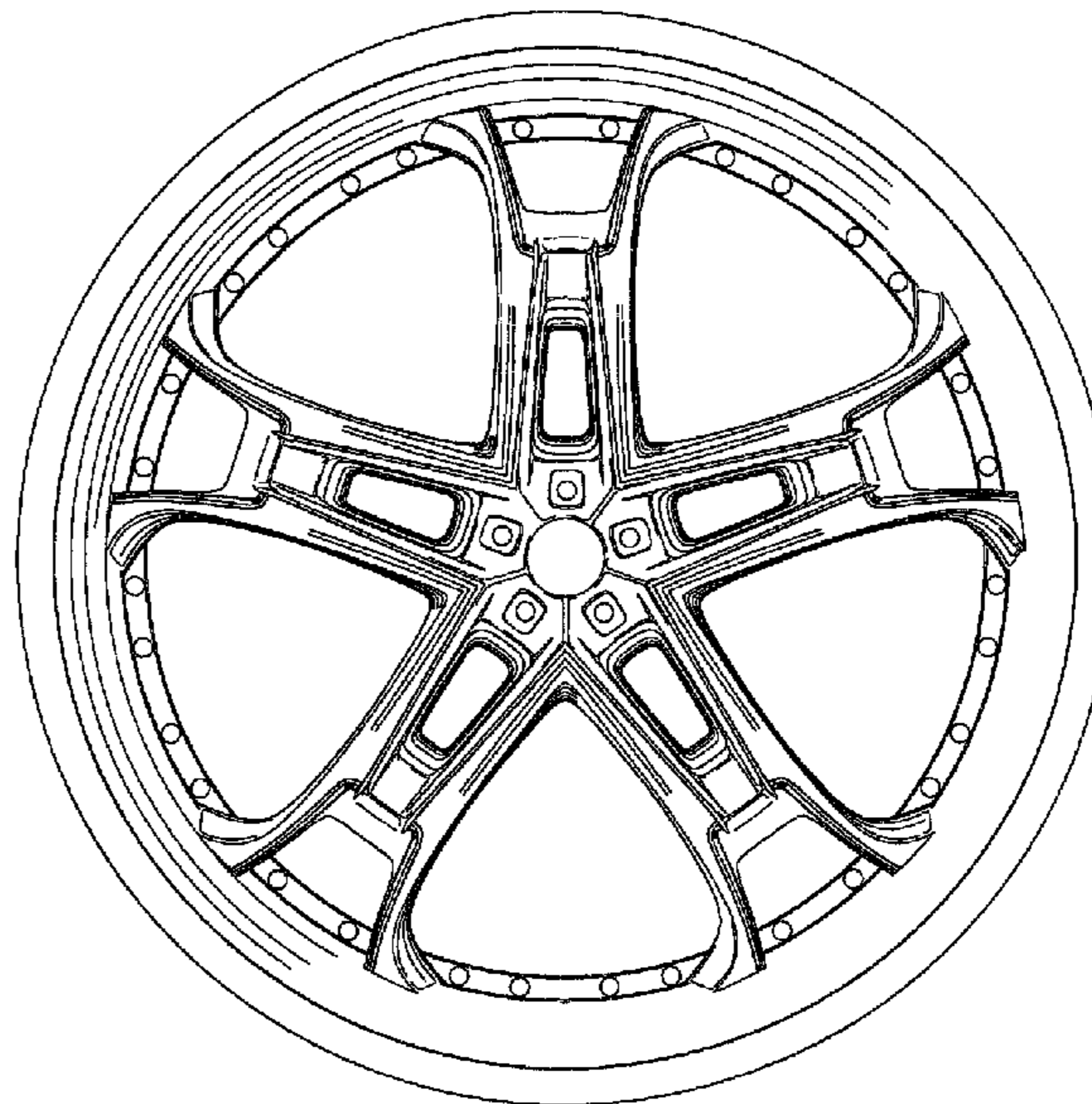
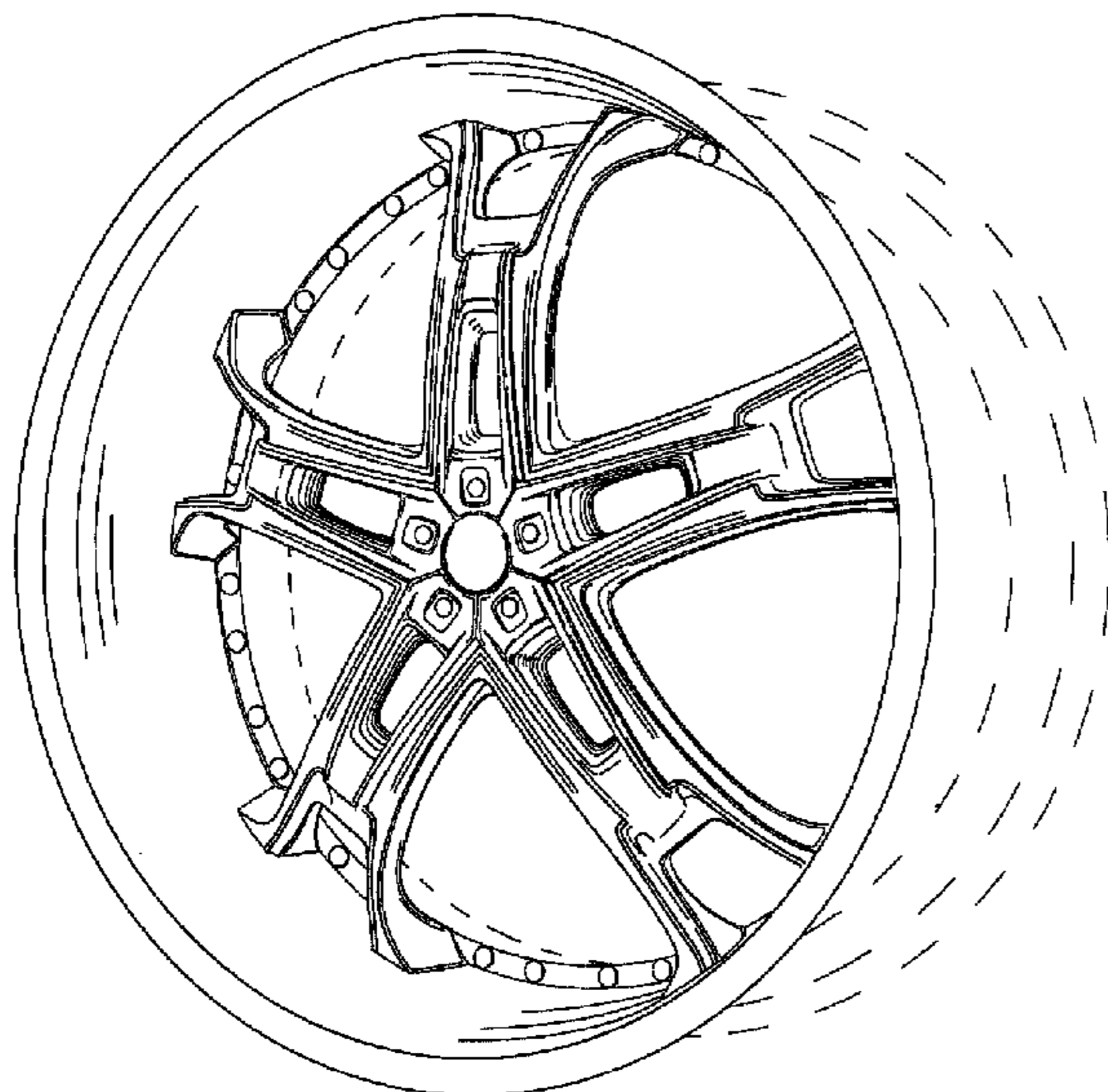


FIG. 1

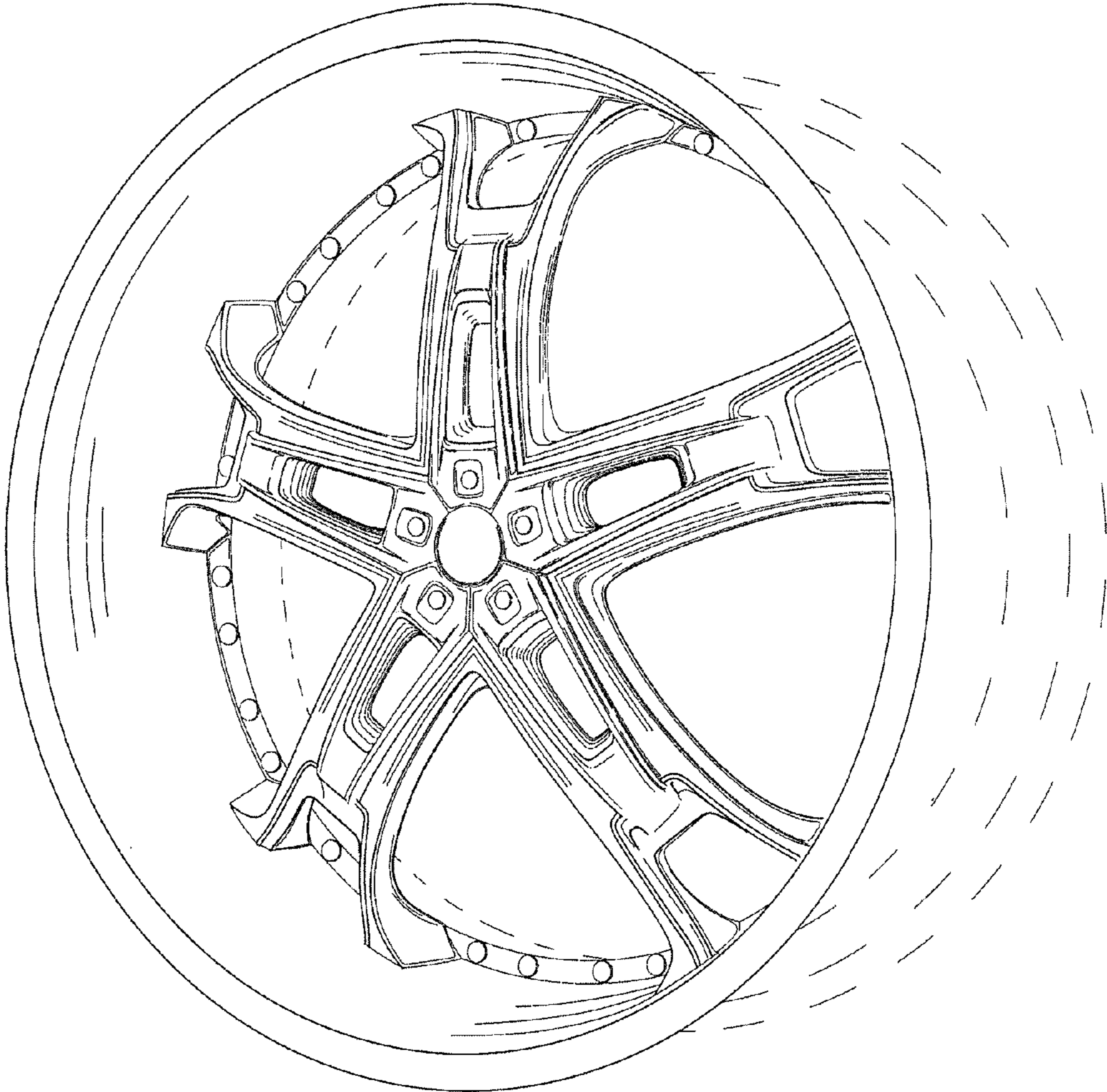




FIG. 2

