



US00D629730S

(12) **United States Design Patent**  
**Schneider**

(10) **Patent No.:** **US D629,730 S**

(45) **Date of Patent:** **\*\* Dec. 28, 2010**

(54) **DOOR FOR A VEHICLE**

(75) Inventor: **Alexander Schneider**, Munich (DE)

(73) Assignee: **Bayerische Motoren Werke Aktiengesellschaft**, Munich (DE)

(\*\*) Term: **14 Years**

(21) Appl. No.: **29/347,789**

(22) Filed: **Jun. 7, 2010**

(30) **Foreign Application Priority Data**

Dec. 8, 2009 (DE) ..... 402009006095

(51) **LOC (9) Cl.** ..... **12-16**

(52) **U.S. Cl.** ..... **D12/196**

(58) **Field of Classification Search** ..... D12/196,  
D12/90-92, 86; 296/181.1, 181.5  
See application file for complete search history.

(56) **References Cited**

**U.S. PATENT DOCUMENTS**

D573,522 S *	7/2008	Sato et al.	.....	D12/196
D580,331 S *	11/2008	Gueler et al.	.....	D12/196
D583,288 S *	12/2008	Leclercq	.....	D12/196
D583,289 S *	12/2008	Leclercq	.....	D12/196
D593,471 S *	6/2009	Larson	.....	D12/196
D597,011 S *	7/2009	Habib	.....	D12/196
D605,084 S	12/2009	Szavits		
D612,786 S *	3/2010	Hildebrand et al.	.....	D12/196
D617,706 S *	6/2010	Lamm et al.	.....	D12/196
D620,415 S *	7/2010	Froehlich	.....	D12/196
D621,764 S *	8/2010	Huet	.....	D12/196

**FOREIGN PATENT DOCUMENTS**

EM 001104913-0001 4/2009

\* cited by examiner

*Primary Examiner*—Melody N Brown

(74) *Attorney, Agent, or Firm*—Crowell & Moring LLP

(57) **CLAIM**

The ornamental design for a door for a vehicle, as shown and described.

**DESCRIPTION**

This application contains subject matter related to the following co-pending U.S. design patent application:

Application Ser. No. 29/347,801, filed herewith and entitled "Vehicle, Toy, and/or Replicas Thereof"

FIG. 1 is a left perspective view of a embodiment of a door for a vehicle according to my design;

FIG. 2 is a right perspective view thereof;

FIG. 3 is a front view thereof;

FIG. 4 is a left side view thereof; and

FIG. 5 is a top view thereof.

FIG. 6 is a right perspective view of a second embodiment of the door for a vehicle according to my design;

FIG. 7 is a left perspective view of FIG. 6;

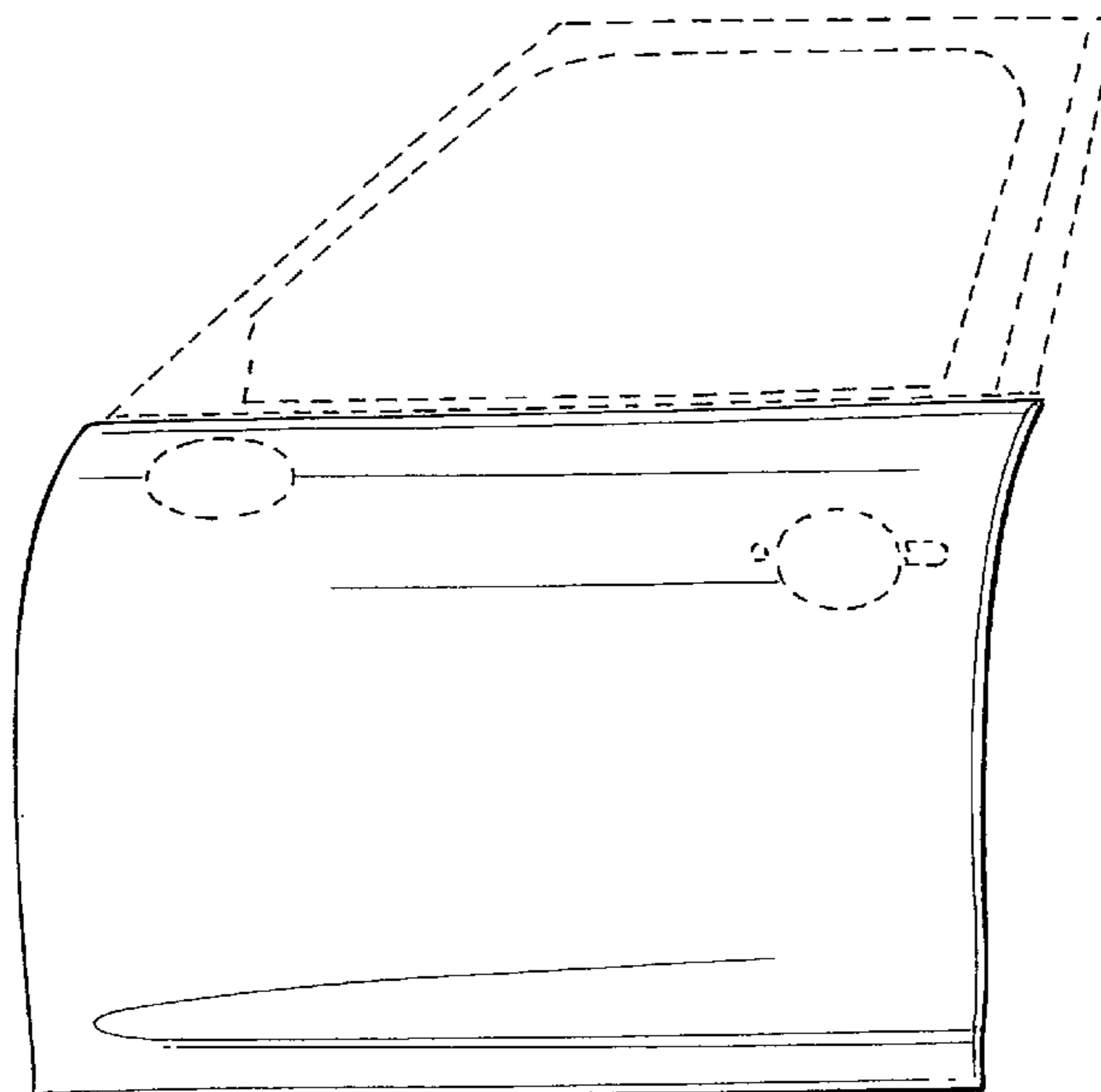
FIG. 8 is a front view of FIG. 6;

FIG. 9 is a right side view of FIG. 6; and,

FIG. 10 is a top view of FIG. 6.

The broken lines are for illustrative purposes only and form no part of the claimed design.

**1 Claim, 4 Drawing Sheets**



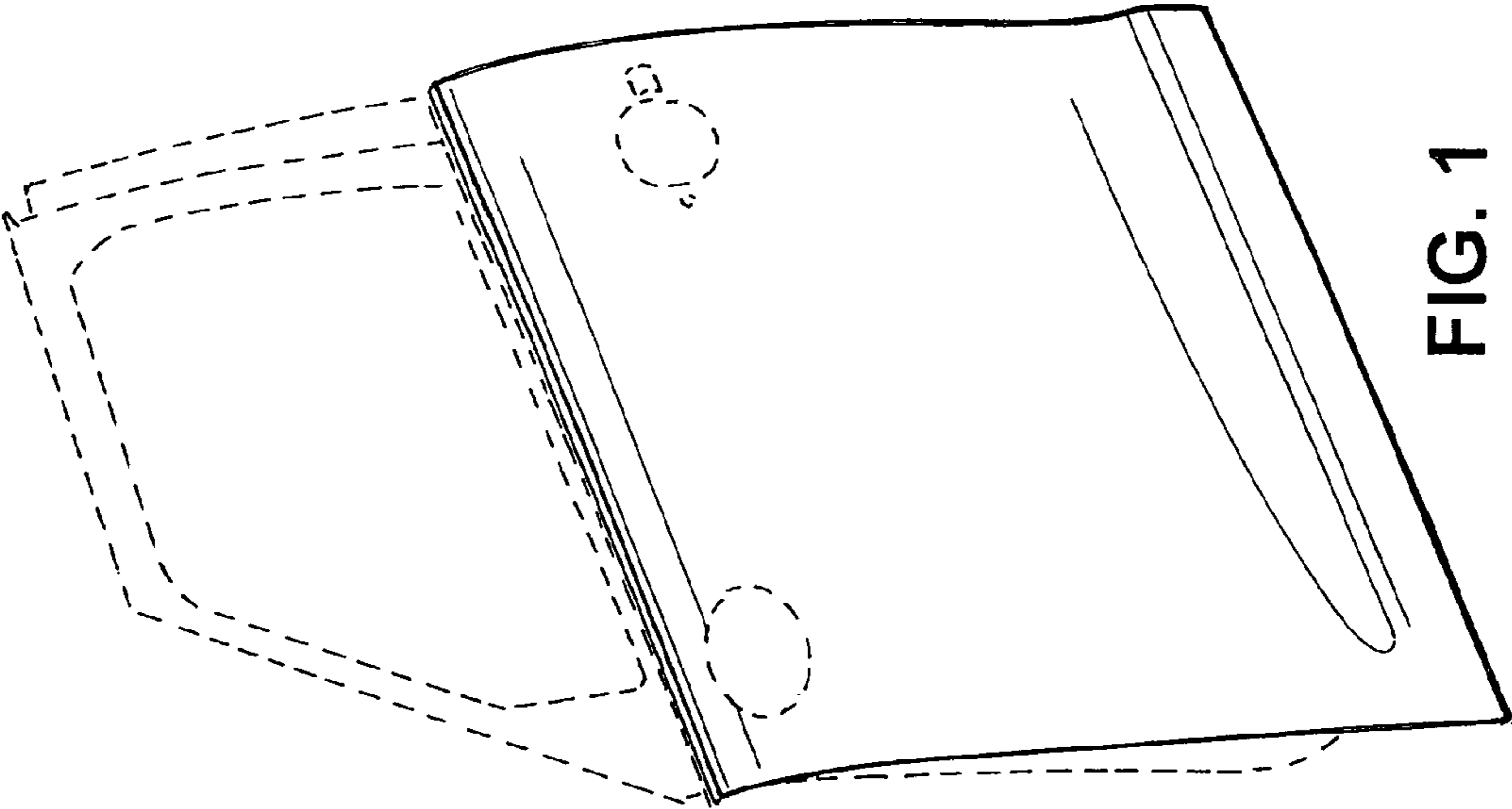


FIG. 1

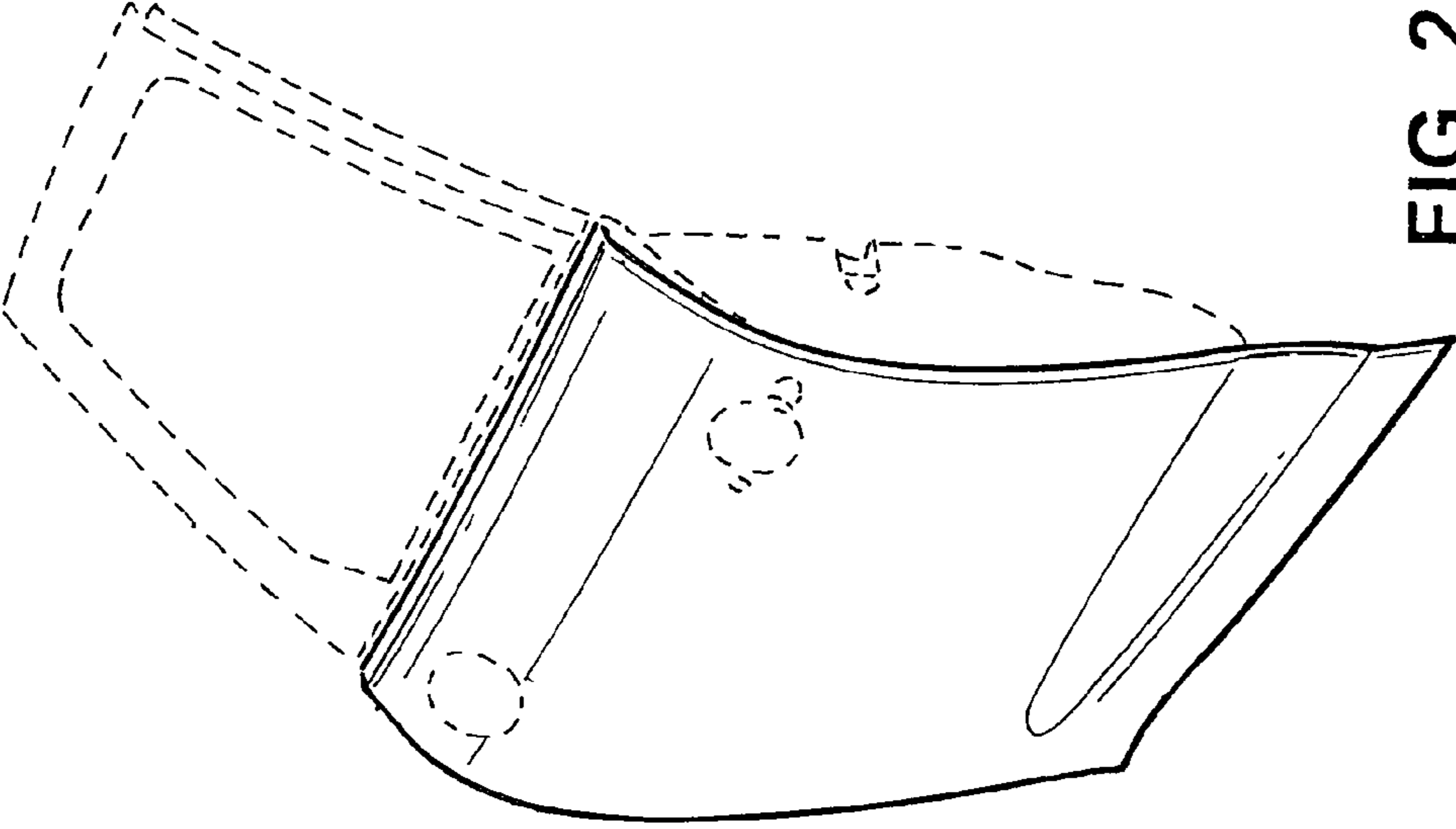


FIG. 2

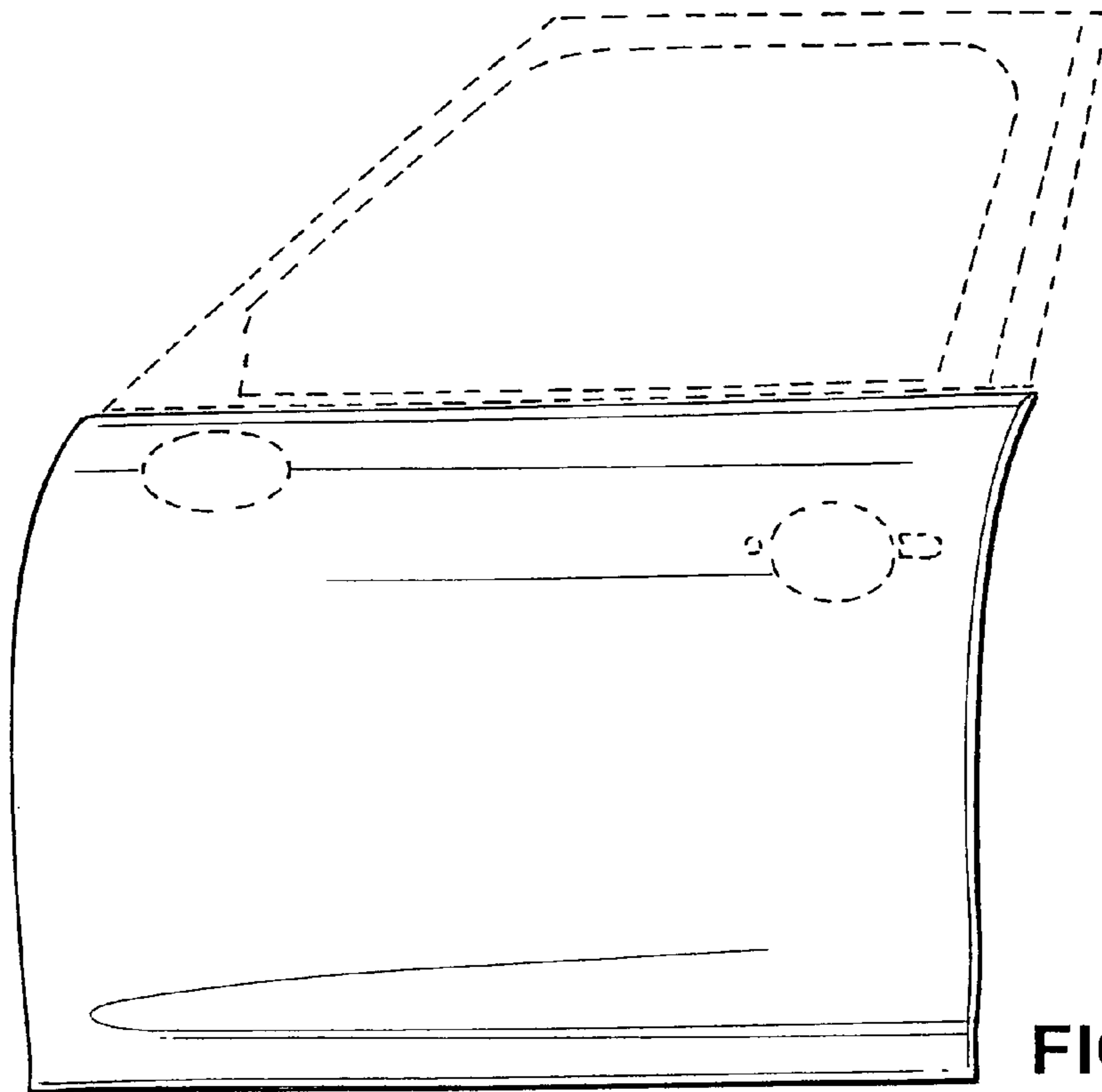


FIG. 3

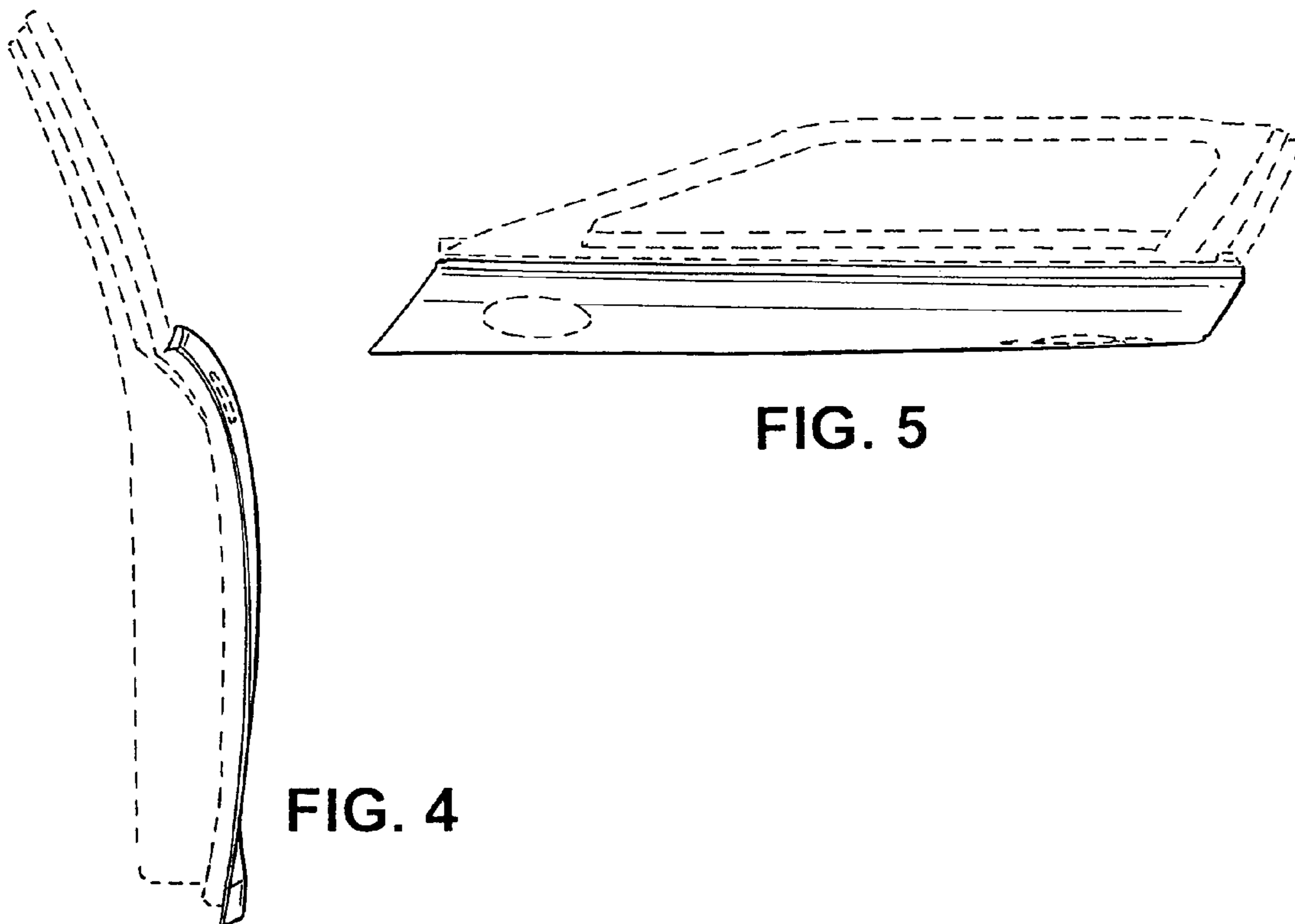


FIG. 5

FIG. 4

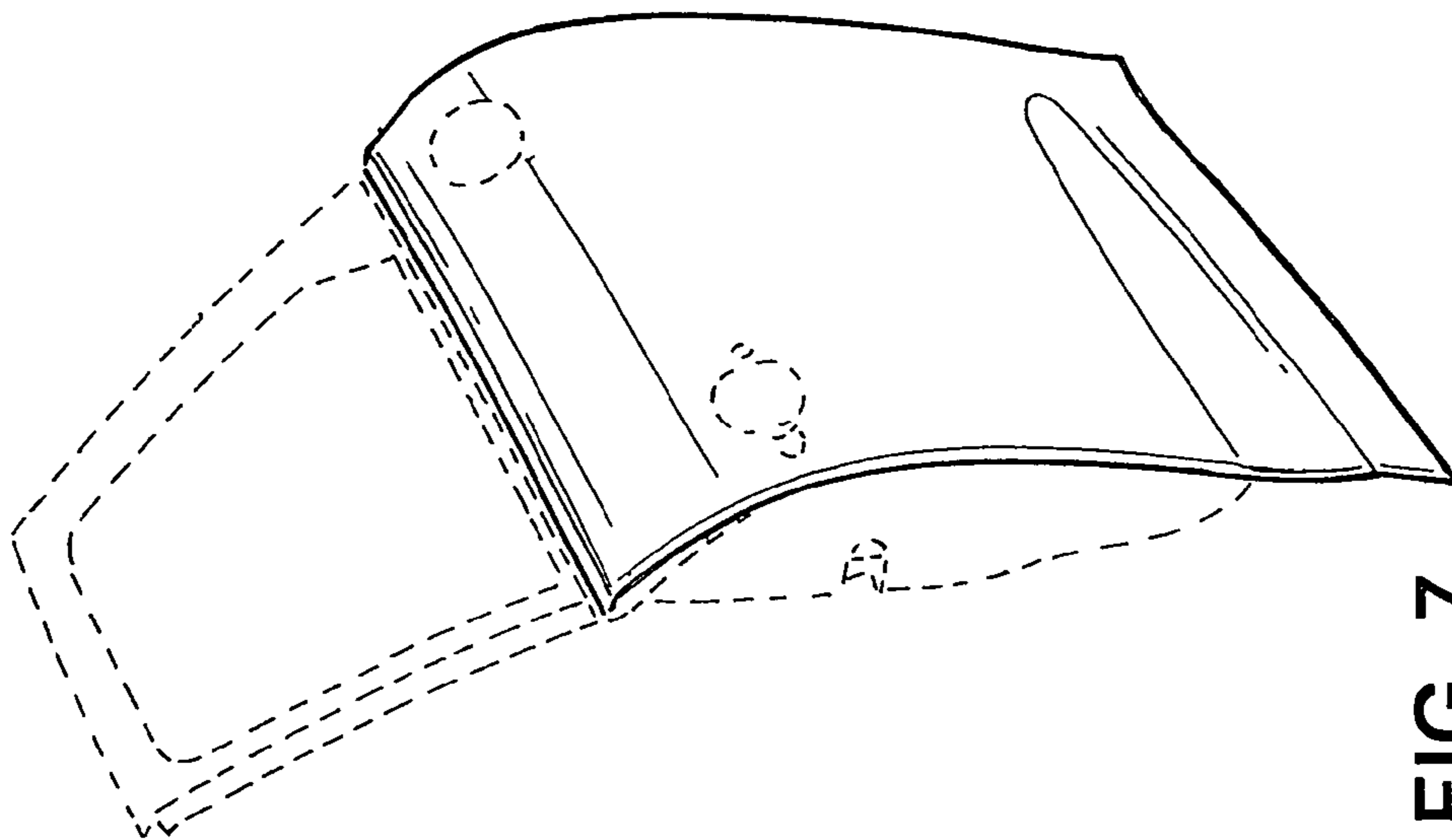


FIG. 7

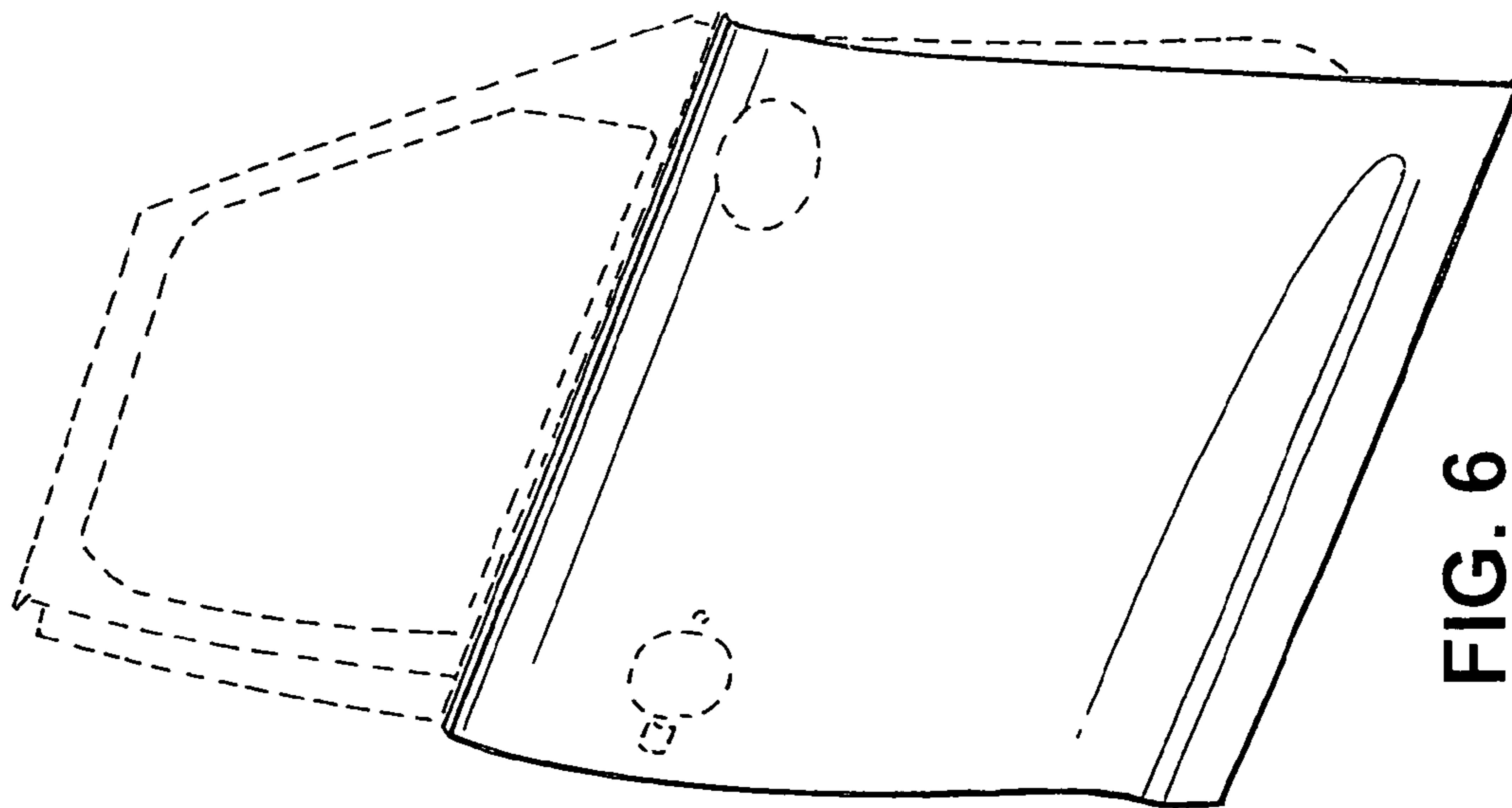


FIG. 6

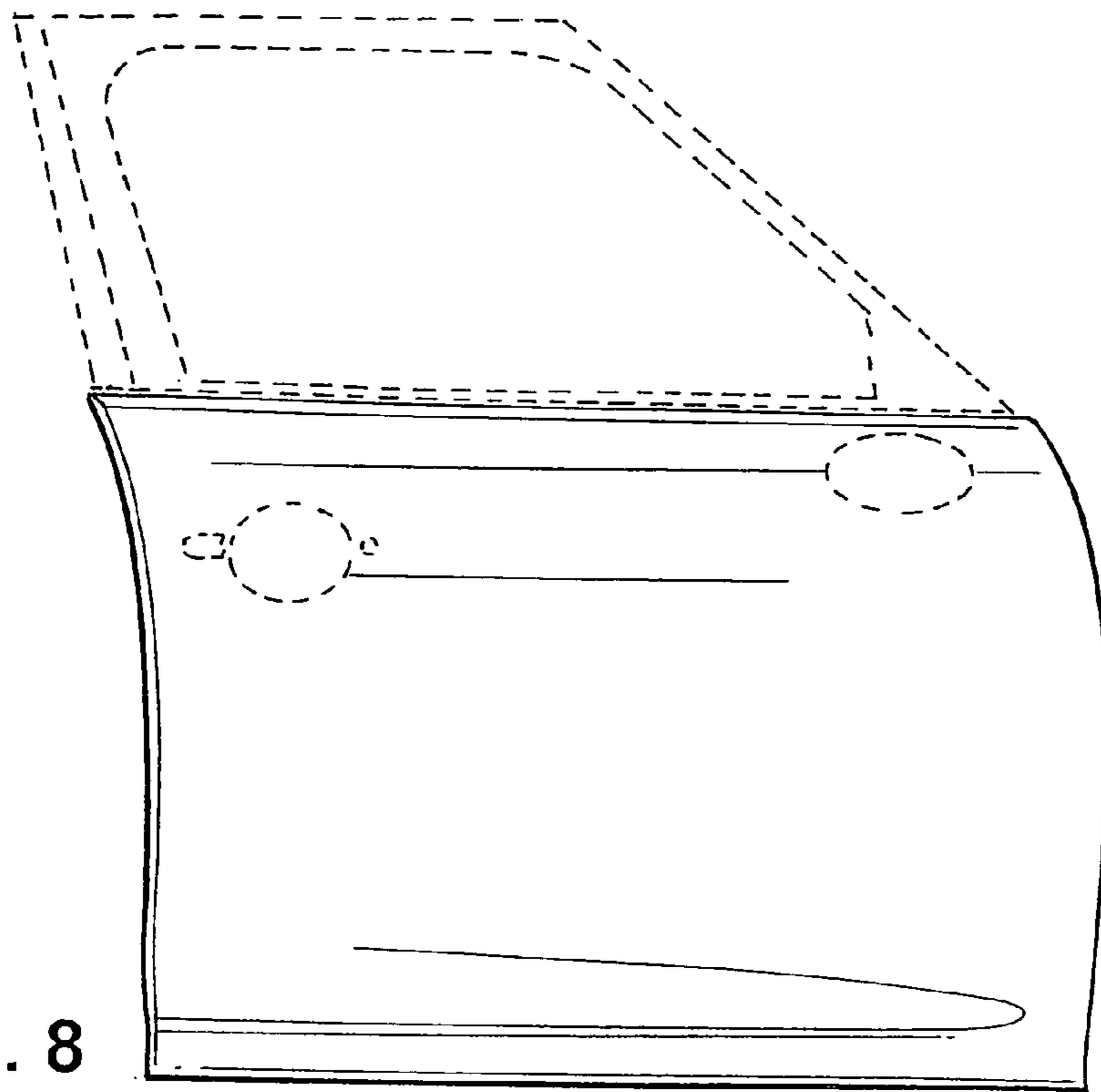


FIG. 8

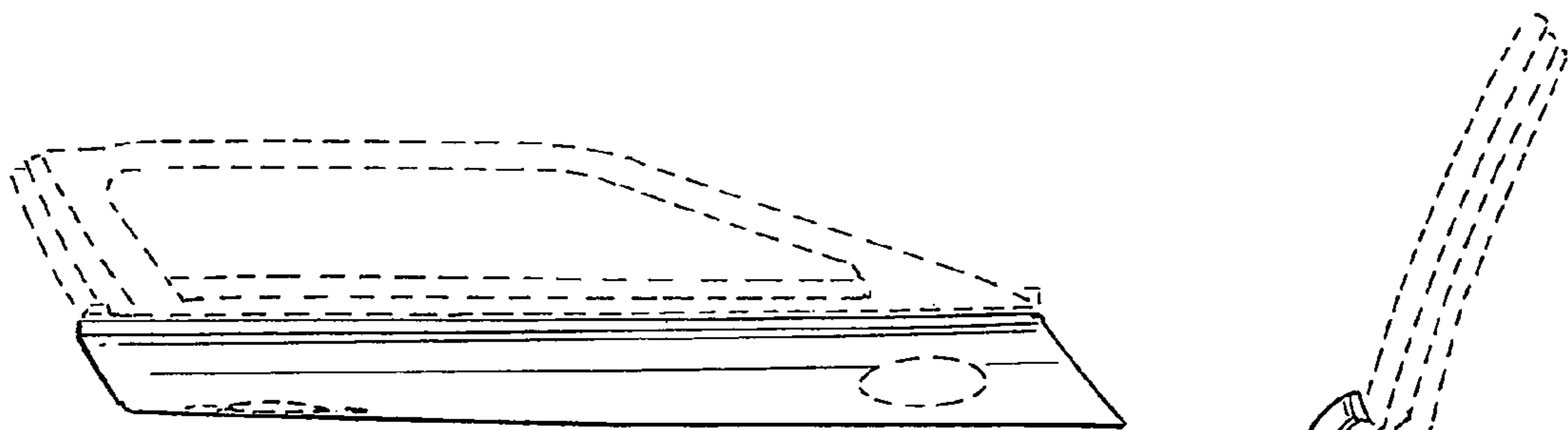


FIG. 10

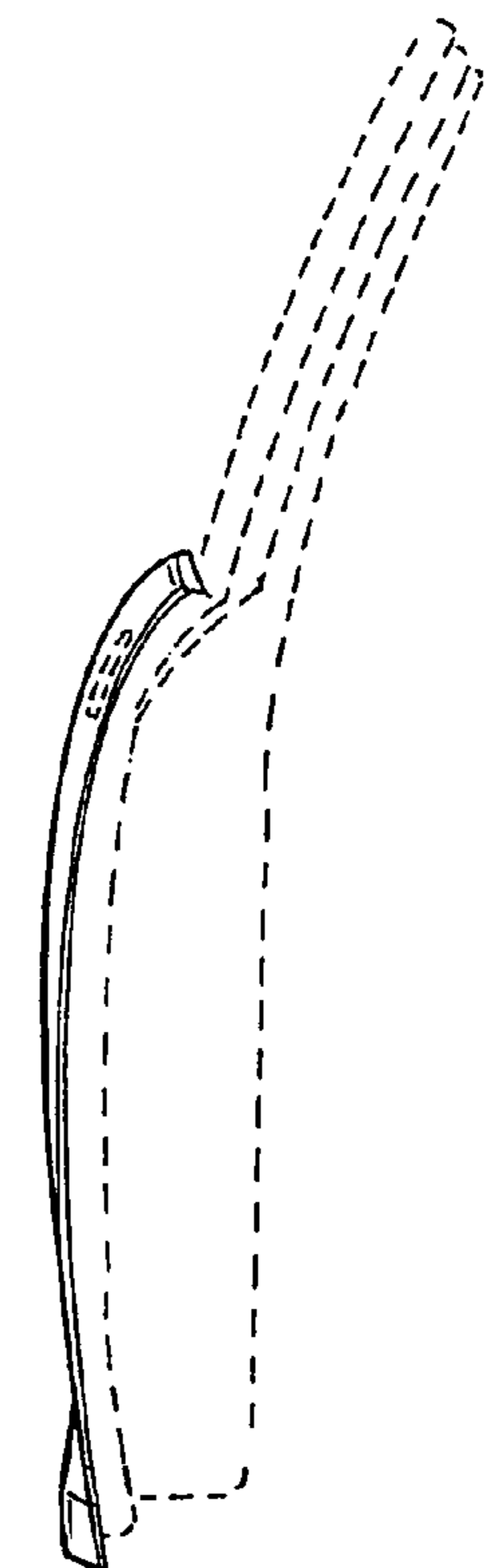


FIG. 9