



US00D629729S

(12) **United States Design Patent**
Akasawa et al.

(10) **Patent No.:** **US D629,729 S**

(45) **Date of Patent:** **** Dec. 28, 2010**

(54) **FRONT BUMPER FOR MOTOR VEHICLE**

(75) Inventors: **Kenichi Akasawa**, Chigasaki (JP);
Hiroshi Kusakawa, Chigasaki (JP);
Shin Kashiwabara, Chigasaki (JP)

(73) Assignee: **Autech Japan, Inc.**, Kanagawa (JP)

(**) Term: **14 Years**

(21) Appl. No.: **29/352,013**

(22) Filed: **Dec. 15, 2009**

(51) **LOC (9) Cl.** **12-16**

(52) **U.S. Cl.** **D12/169**

(58) **Field of Classification Search** D12/169,
D12/196, 171, 216, 163, 86, 90-92; 293/102,
293/113, 115, 117, 120; 296/180.1, 180.2
See application file for complete search history.

(56) **References Cited**

U.S. PATENT DOCUMENTS

D527,319 S *	8/2006	Yakushi	D12/169
D561,657 S *	2/2008	Rester et al.	D12/163
D561,659 S *	2/2008	Tabata et al.	D12/169
D563,846 S *	3/2008	Suga et al.	D12/169
D564,425 S *	3/2008	Okue	D12/169
D566,018 S *	4/2008	Morishita et al.	D12/169

D585,344 S *	1/2009	Tomita et al.	D12/169
D586,270 S *	2/2009	Suga et al.	D12/169
D588,965 S *	3/2009	Hazumi et al.	D12/169
D592,573 S *	5/2009	Asakura et al.	D12/169
D594,794 S *	6/2009	Nakajima	D12/169
D609,613 S *	2/2010	Okue et al.	D12/169

* cited by examiner

Primary Examiner—Melody N Brown

(74) *Attorney, Agent, or Firm*—Wenderoth, Lind & Ponack,
L.L.P.

(57) **CLAIM**

The ornamental design for a front bumper for a motor vehicle,
as shown and described.

DESCRIPTION

FIG. 1 is a front view of the front bumper for the motor vehicle
showing our new design;

FIG. 2 is a top plan view thereof;

FIG. 3 is a bottom view thereof;

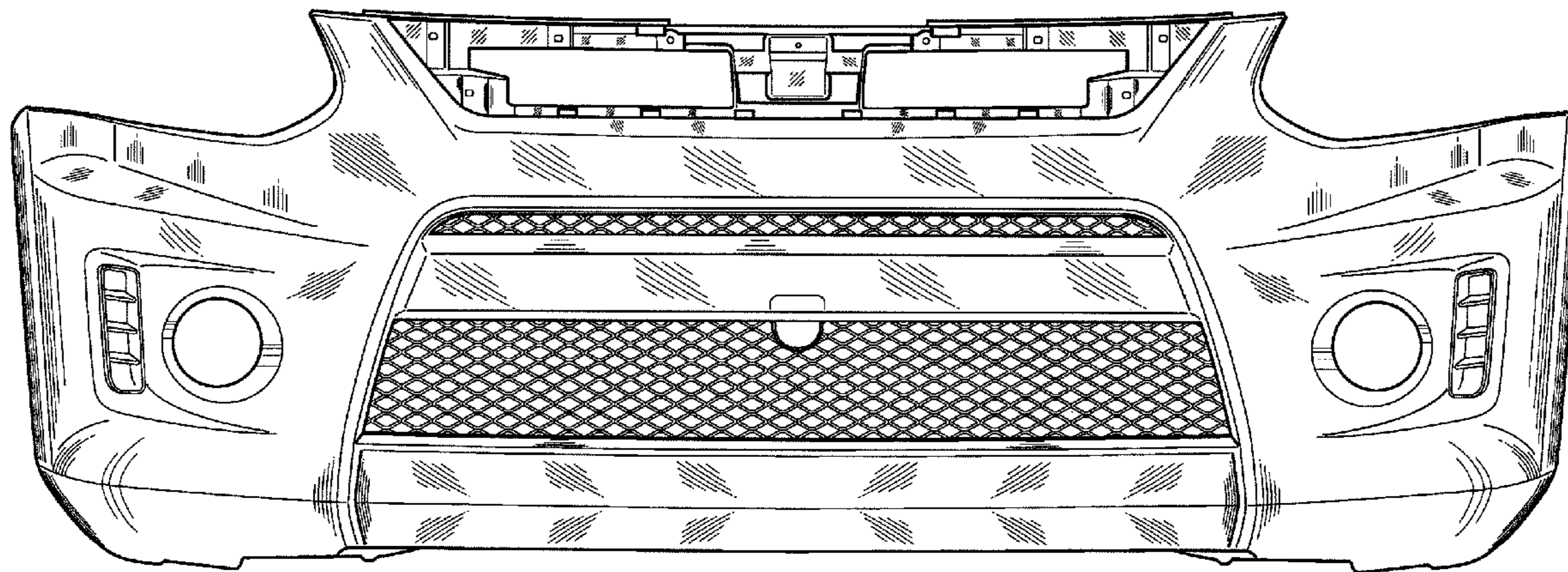
FIG. 4 is a rear view showing thereof;

FIG. 5 is a right side view thereof;

FIG. 6 is a left side view thereof; and,

FIG. 7 is a perspective view thereof.

1 Claim, 6 Drawing Sheets



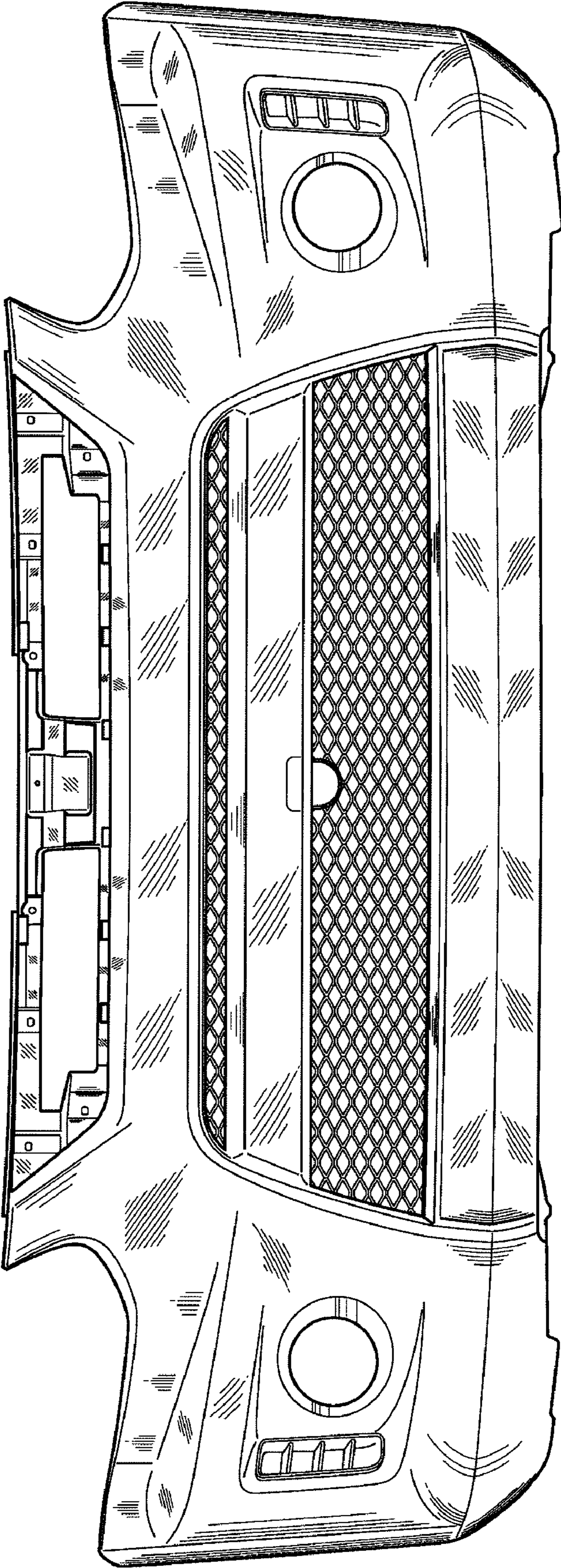
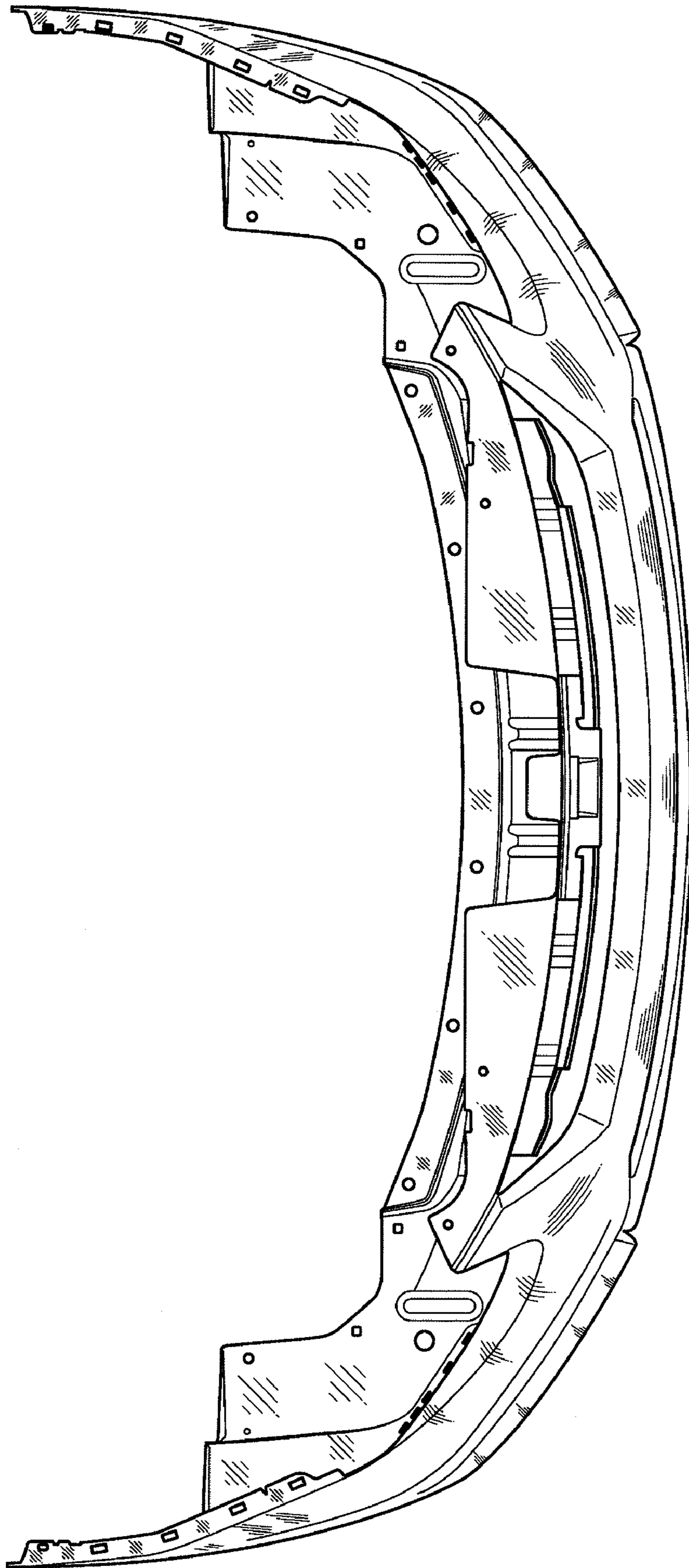


FIG. 1

FIG. 2



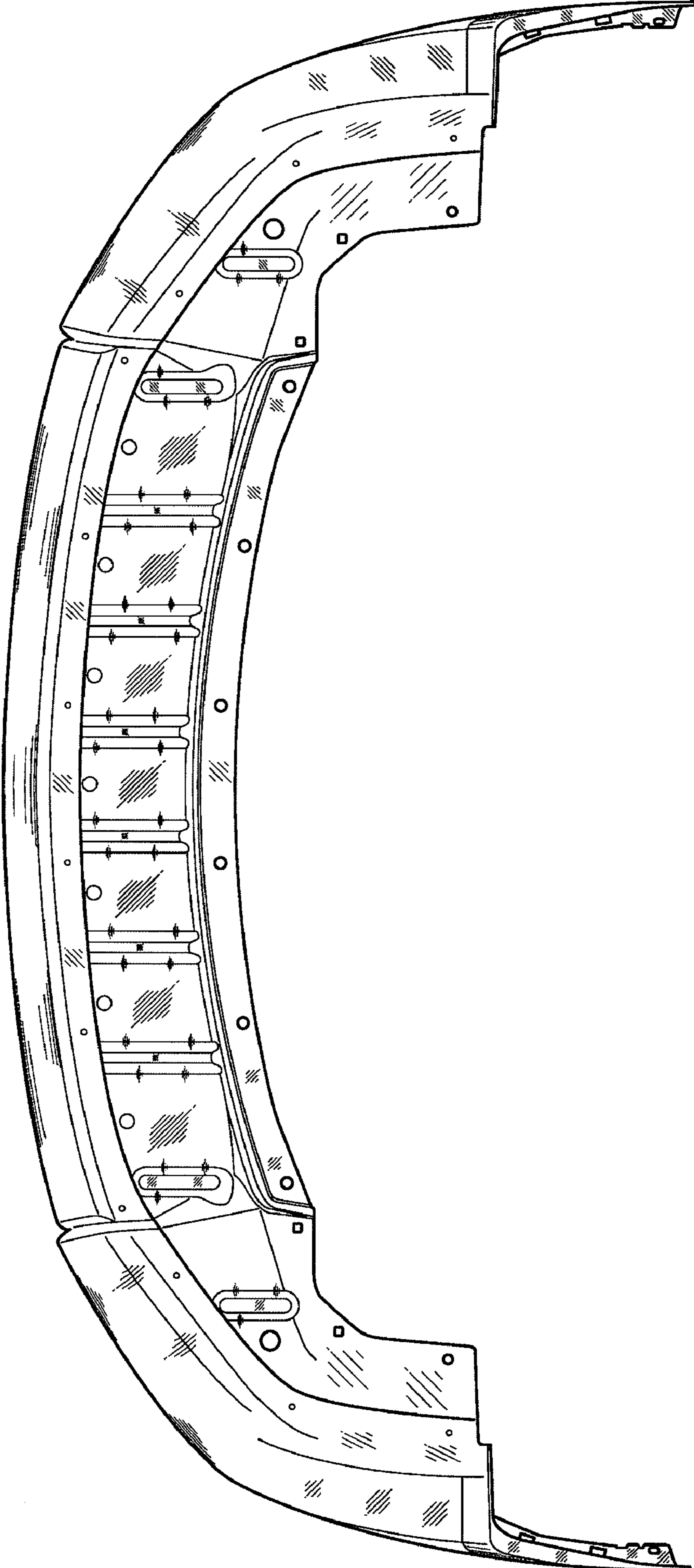


FIG. 3

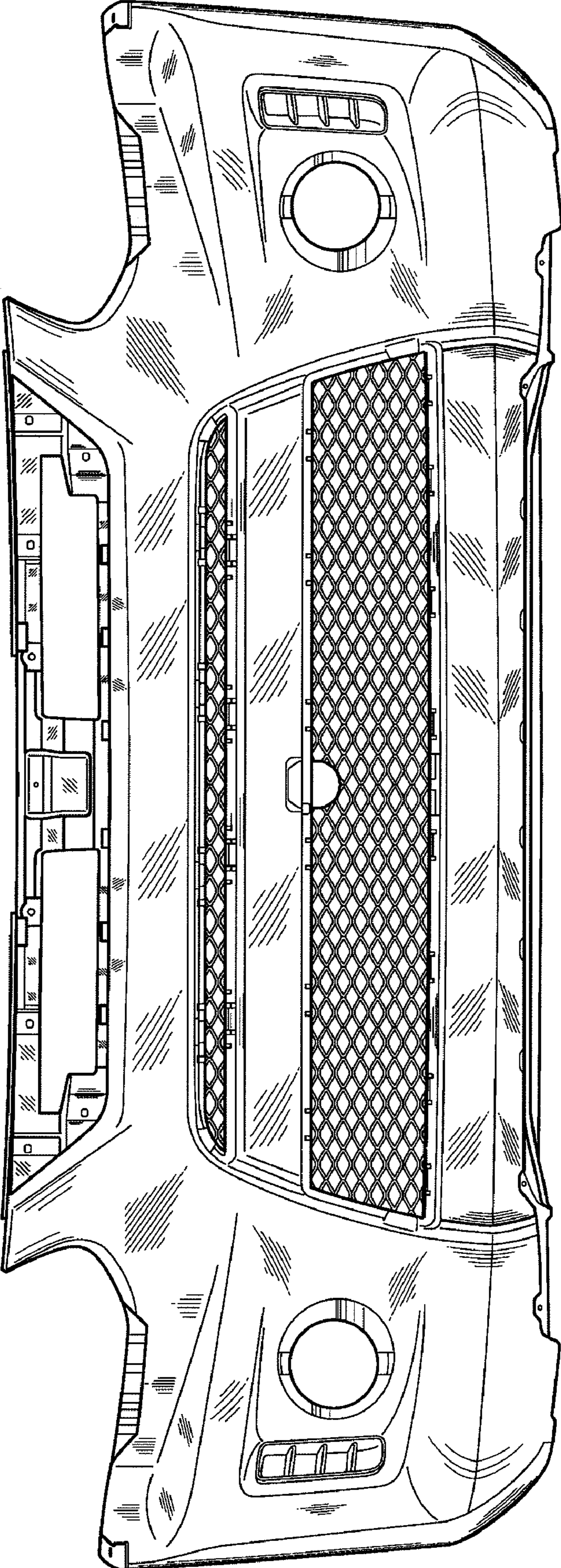


FIG. 4

FIG. 6

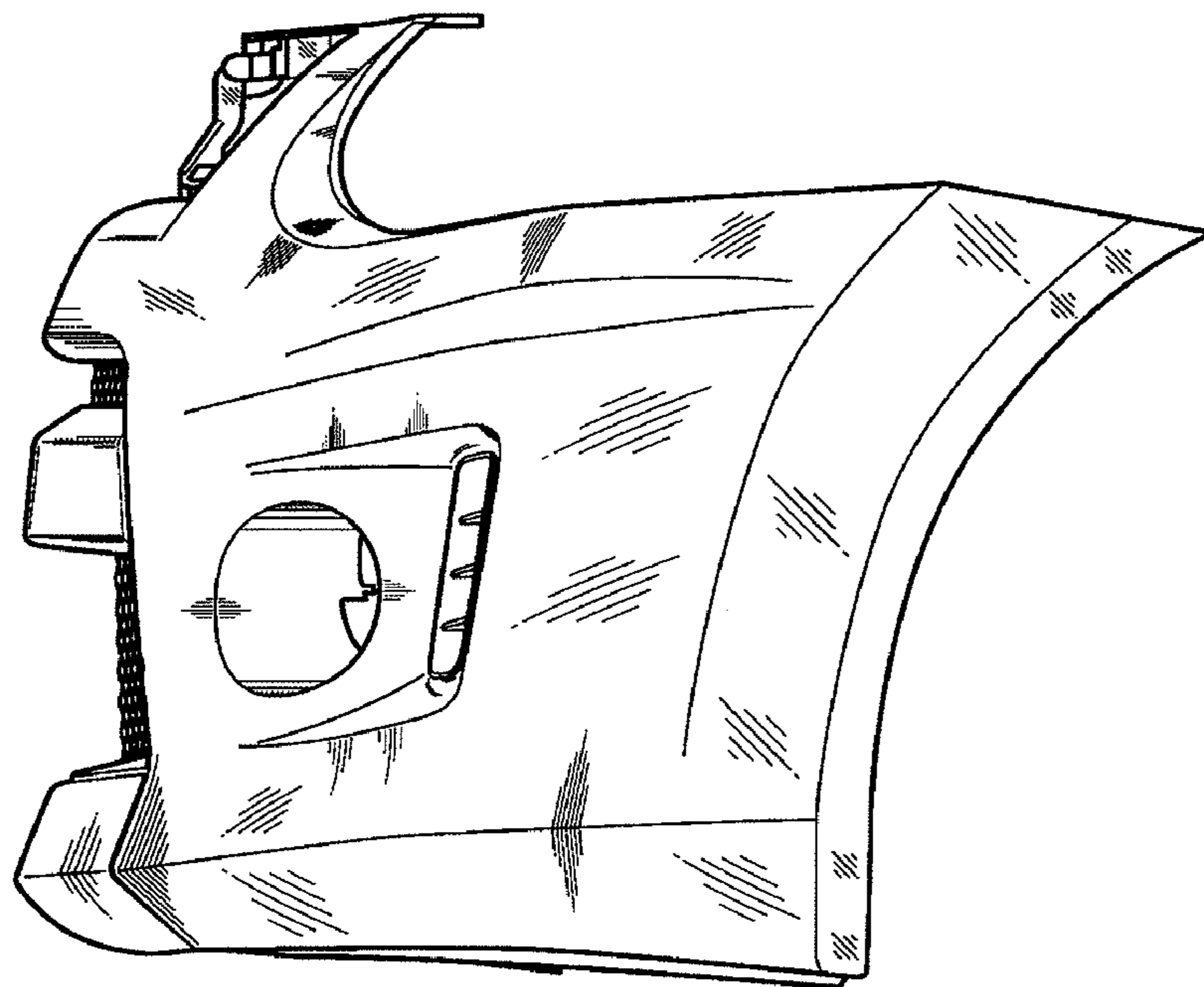


FIG. 5

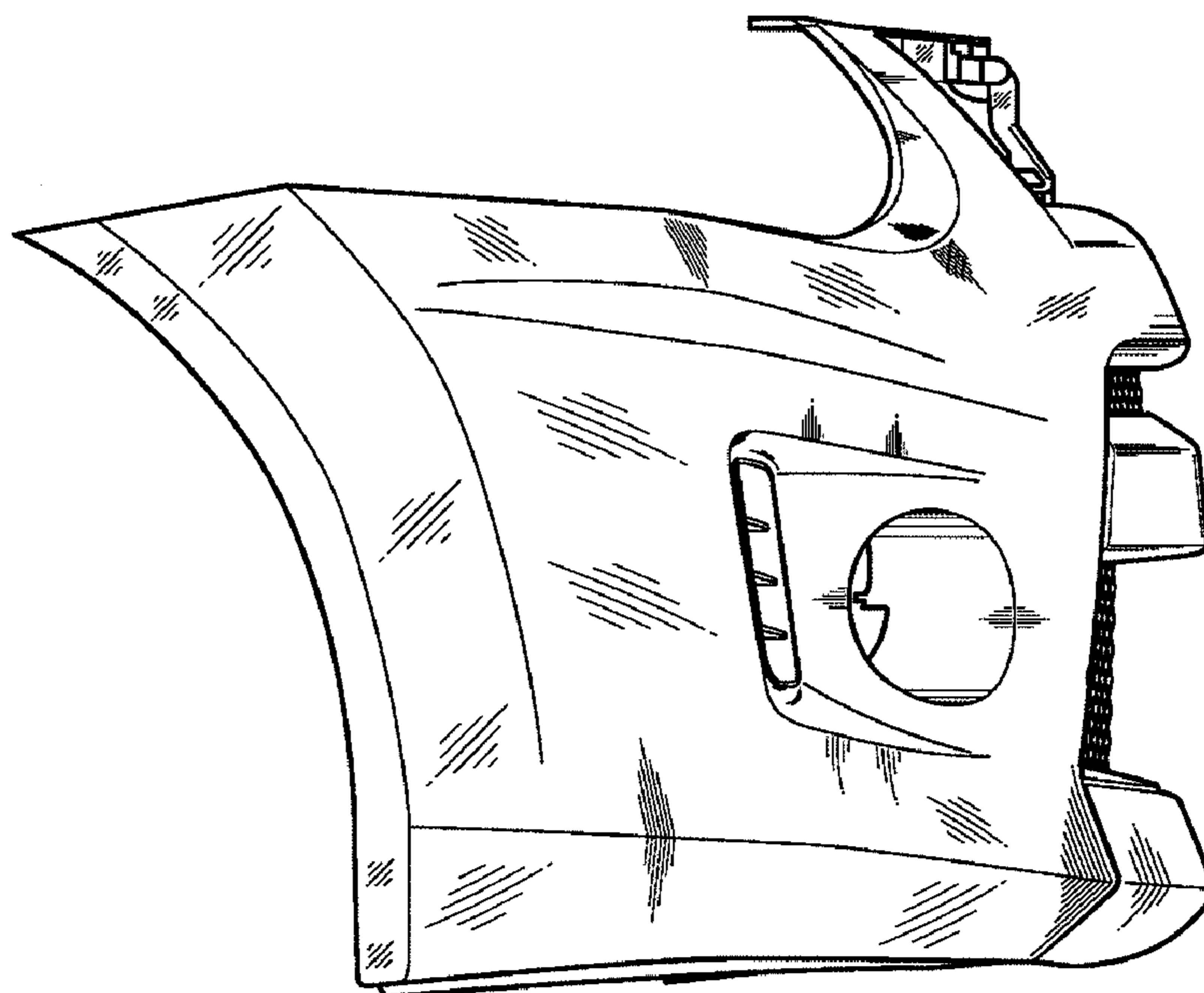


FIG. 7

