



US00D629725S

(12) **United States Design Patent**
Reichman et al.

(10) **Patent No.:** **US D629,725 S**

(45) **Date of Patent:** **** *Dec. 28, 2010**

(54) **FRONT PORTION OF A MOTOR VEHICLE,
TOY REPLICA AND/OR OTHER REPLICAS**

(75) Inventors: **Marek Reichman**, Henley-on-Thames
(GB); **Miles Nurnberger**, Leamington
Spa (GB)

(73) Assignee: **Aston Martin Lagonda Limited**,
Gaydon (GB)

(**) Term: **14 Years**

(21) Appl. No.: **29/352,498**

(22) Filed: **Dec. 22, 2009**

(30) **Foreign Application Priority Data**

Dec. 21, 2009 (EP) 001650052-0001

(51) **LOC (9) Cl.** **12-16**

(52) **U.S. Cl.** **D12/164; D12/196**

(58) **Field of Classification Search** D12/164,
D12/196, 90-92, 86; D21/424, 433, 434;
296/181.1, 181.5

See application file for complete search history.

(56) **References Cited**

U.S. PATENT DOCUMENTS

D570,260 S * 6/2008 Suzuki et al. D12/169
D580,313 S * 11/2008 Ohishi et al. D12/164
D581,317 S * 11/2008 Zheng D12/90
D586,268 S * 2/2009 Suga et al. D12/164
D591,202 S * 4/2009 Ohhashi et al. D12/91

OTHER PUBLICATIONS

Author Unknown, The Innovative Commuter Concept Car: "Cygnet"
by Aston Martin, Jun. 29, 2009, URL: <http://www.astonmartin.com/>

eng/thecompany/news?a=ee5fb483-3a1f-43c0-98f5-
942854135911, 1 page.

Author Unknown, Frankfurt show: Toyota's small iQ, Sep. 11, 2007,
downloaded Mar. 17, 2010 at [http://www.autocar.co.uk/News/
NewsArticle/Toyota-Avgo/227751/](http://www.autocar.co.uk/News/NewsArticle/Toyota-Avgo/227751/), 6 pages.

Author Unknown, Geneva 2008: Toyota iQ, Feb. 13, 2008, down-
loaded Mar. 17, 2010 at [http://wwwautocar.co.uk/News/
newsArticle/AllCars/231182/](http://www.autocar.co.uk/News/newsArticle/AllCars/231182/), 6 pages.

Author Unknown, Geneva 2008: Toyota iQ dated Mar. 4, 2008,
downloaded Mar. 17, 2010 at [http://www.autocar.co.uk/News/
News_Article/AllCars/231611/](http://www.autocar.co.uk/News/News_Article/AllCars/231611/), 6 pages.

* cited by examiner

Primary Examiner—Melody N Brown

(74) *Attorney, Agent, or Firm*—Dorsey & Whitney LLP

(57) **CLAIM**

The ornamental design for a front portion of a motor vehicle,
toy replica and/or other replicas, as shown and described.

DESCRIPTION

FIG. 1 is a front perspective view of a front portion of a motor
vehicle, toy replica and/or other replicas.

FIG. 2 is a left side view thereof;

FIG. 3 is a right side view thereof;

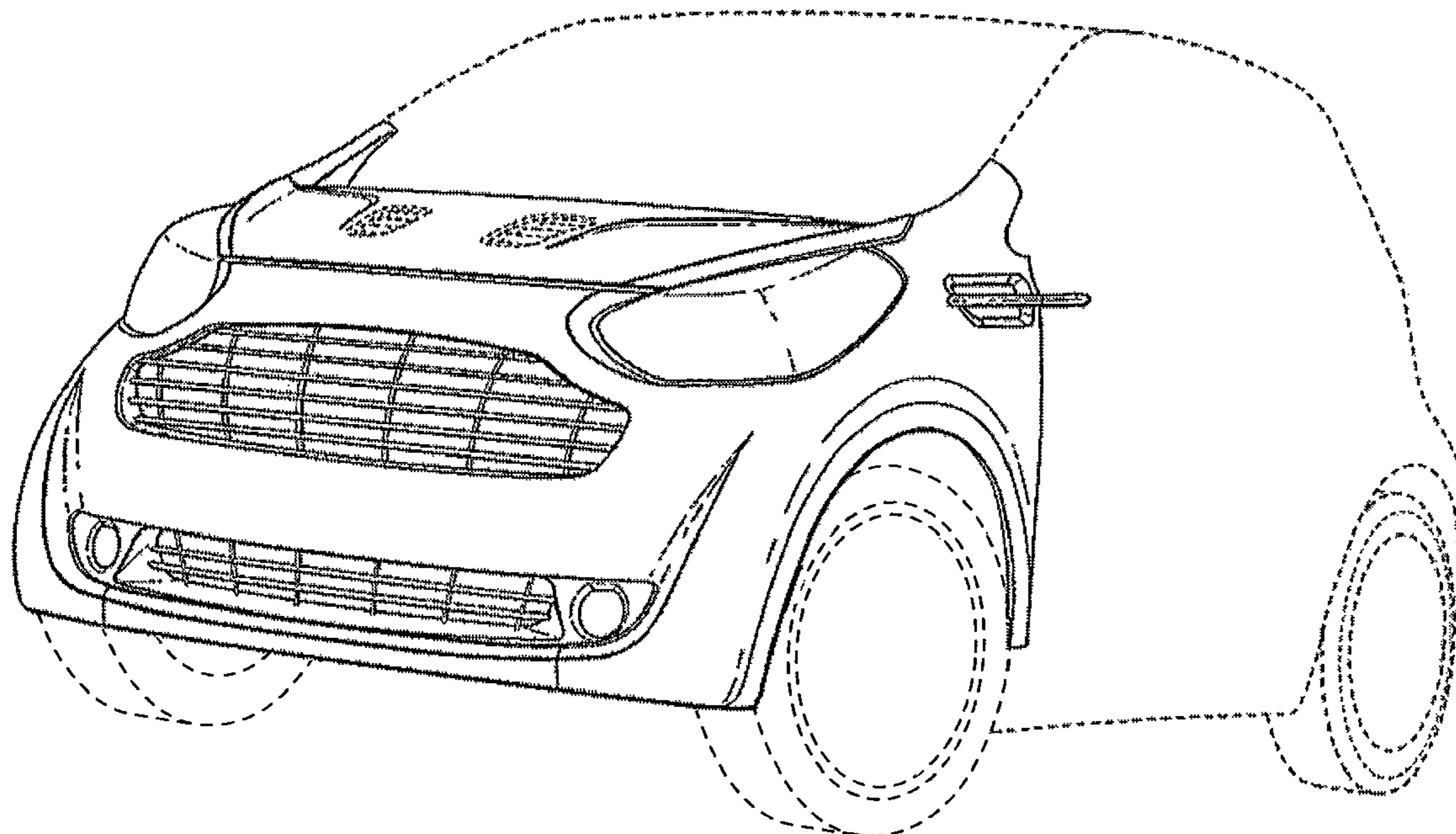
FIG. 4 is a front view thereof;

FIG. 5 is a rear view thereof; and,

FIG. 6 is a top view thereof.

The vehicle portions shown in broken lines form no part of the
claimed design.

1 Claim, 6 Drawing Sheets



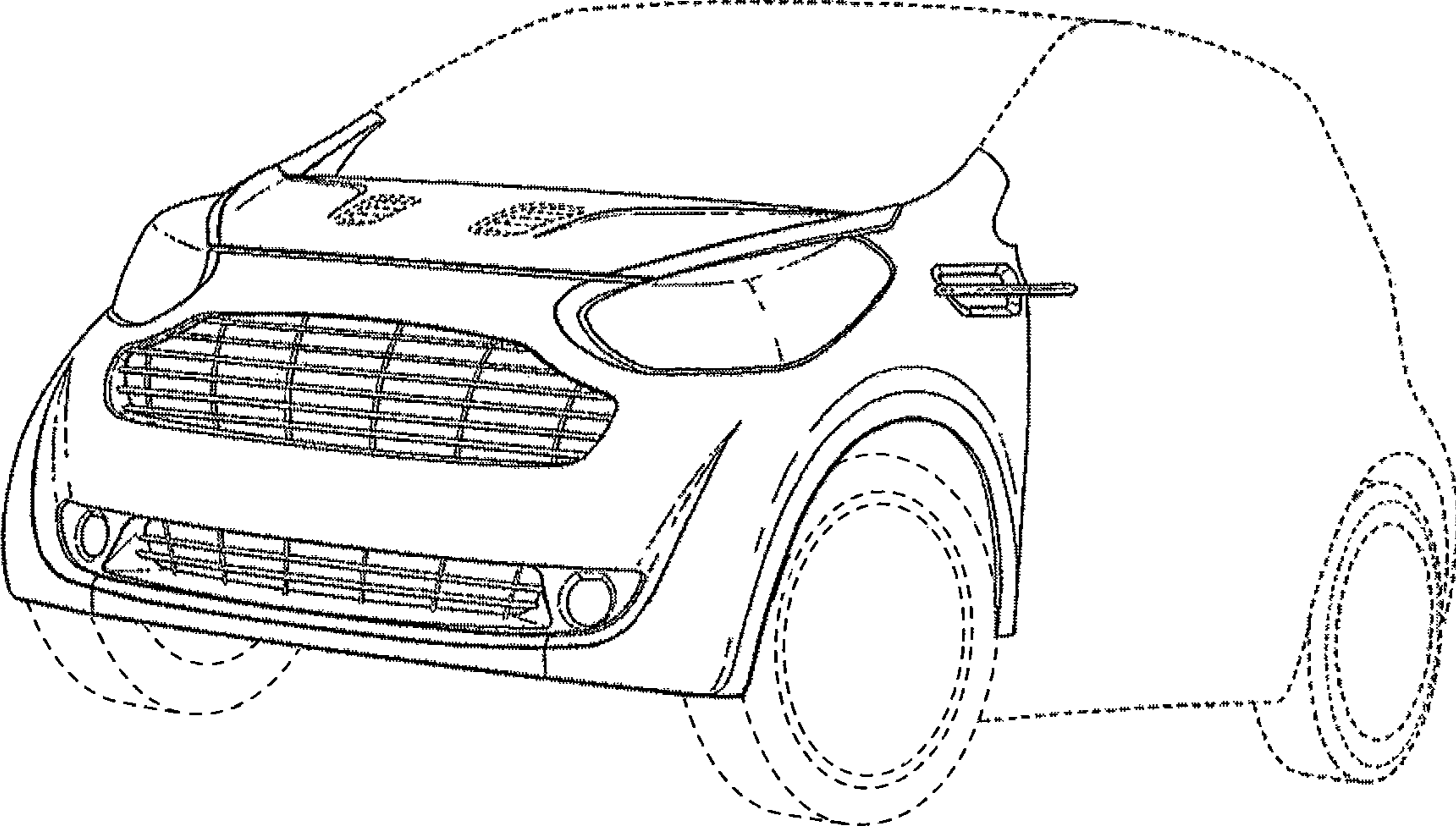


FIG. 1

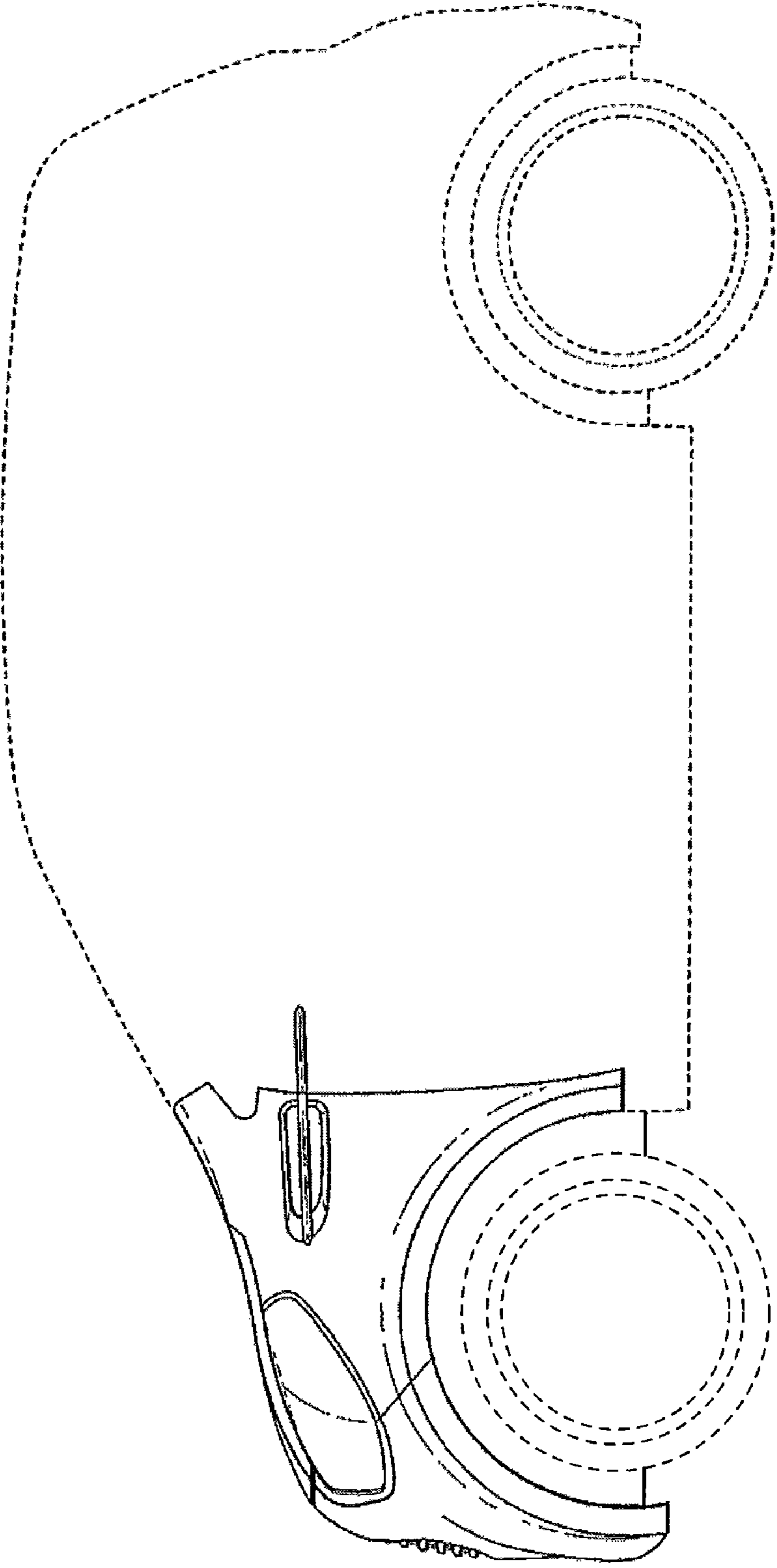


FIG. 2

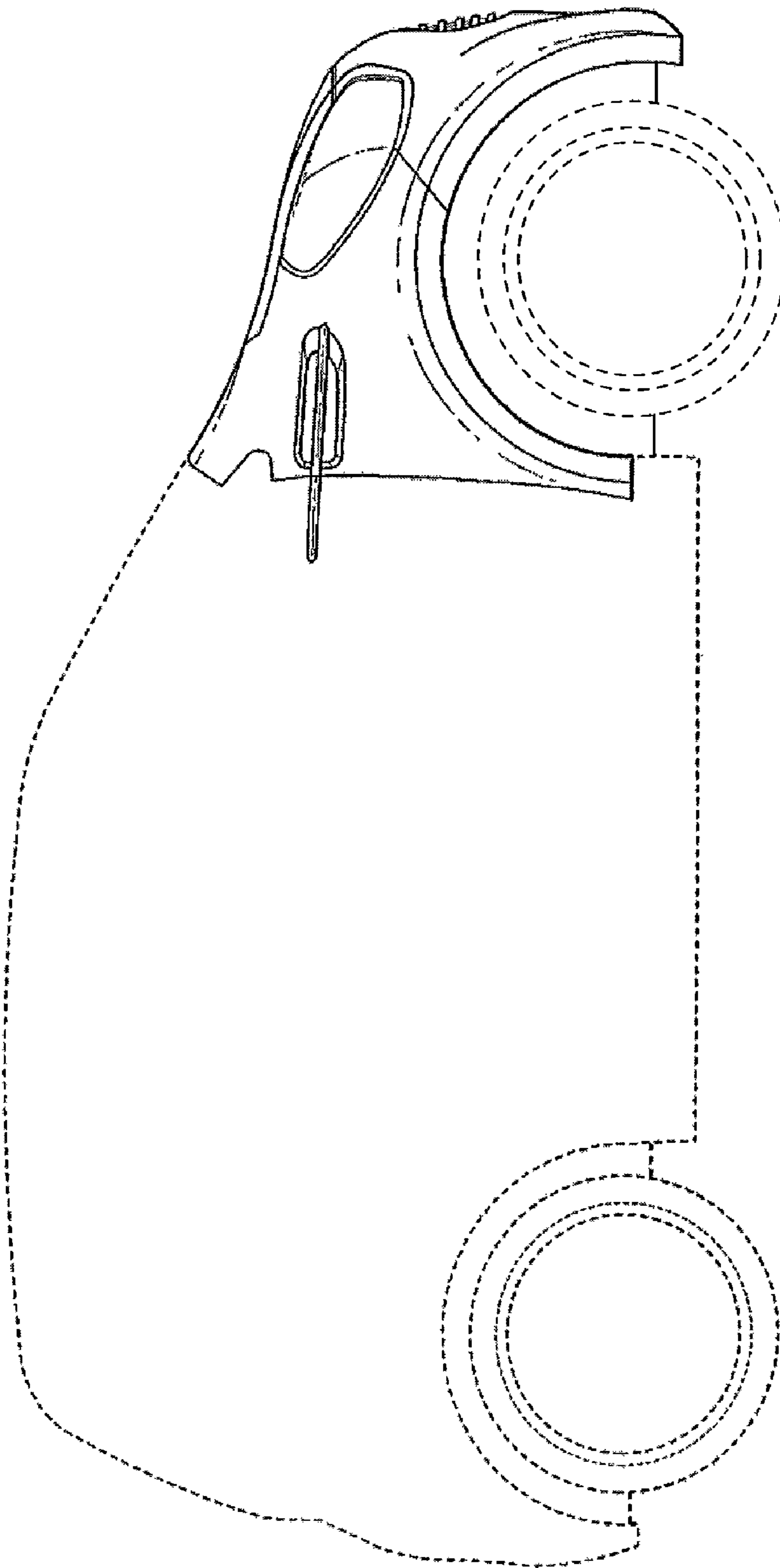


FIG. 3

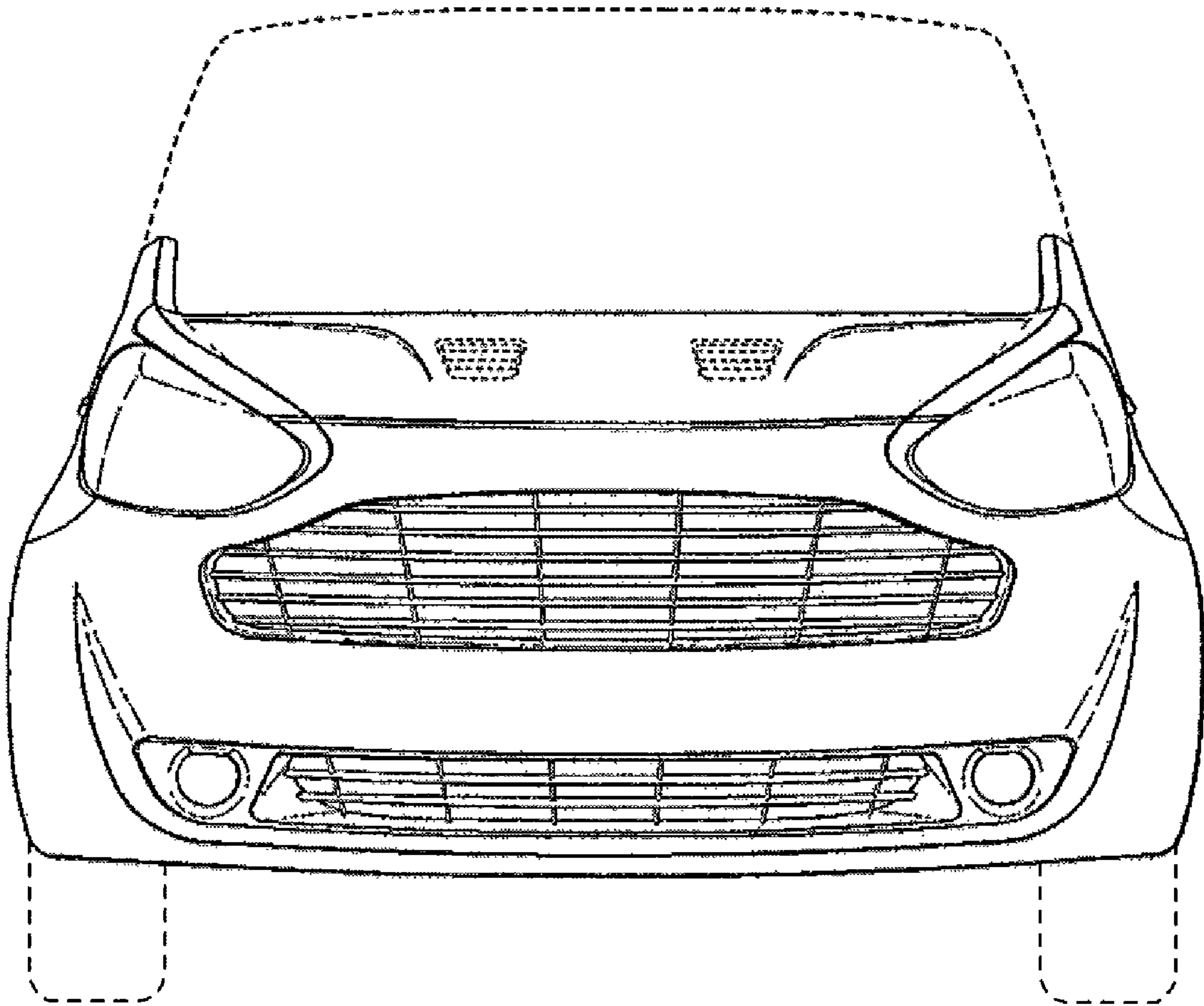


FIG. 4

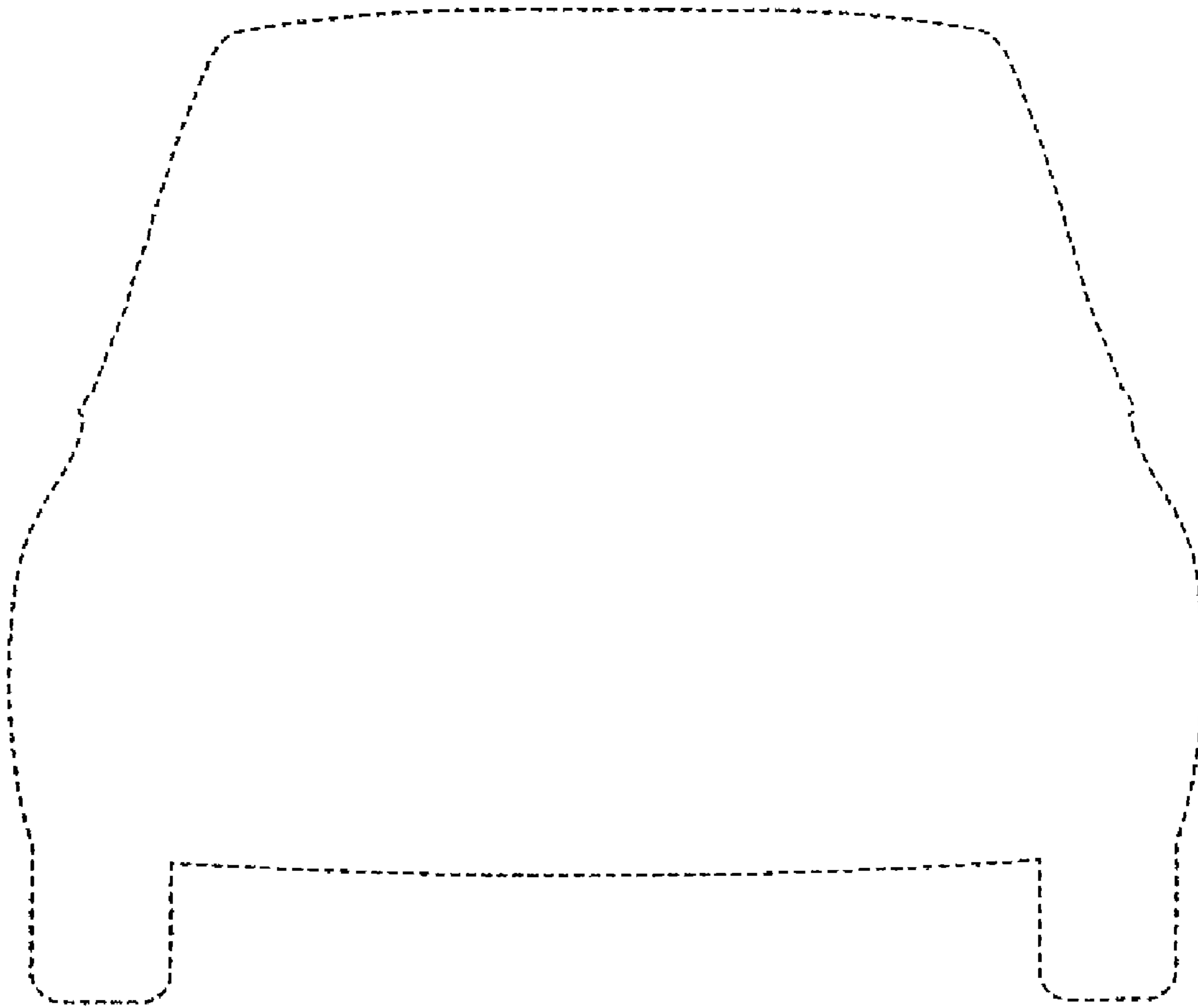


FIG. 5

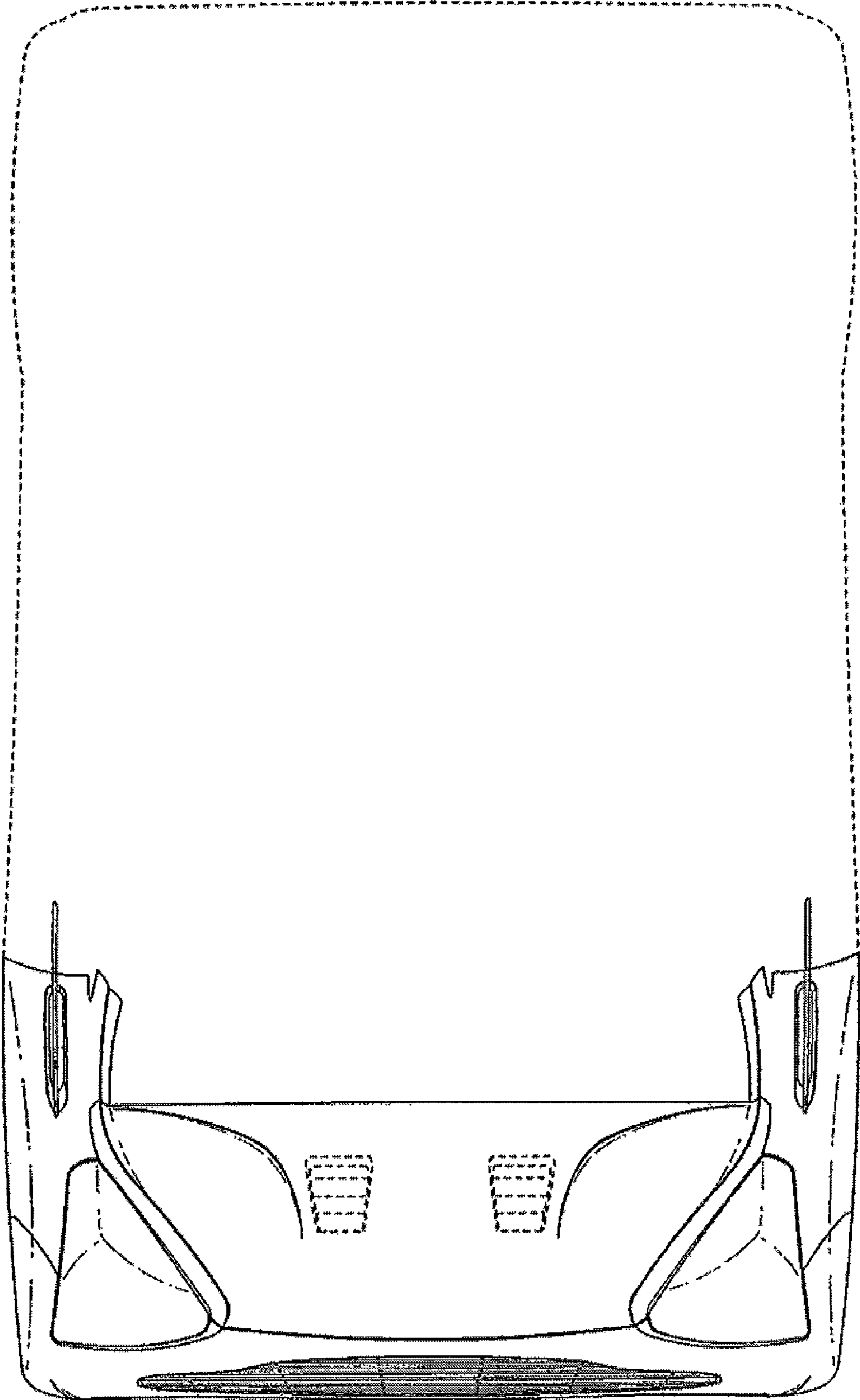


FIG. 6