



US00D629723S

(12) **United States Design Patent**
Bauer et al.

(10) **Patent No.:** **US D629,723 S**

(45) **Date of Patent:** **** *Dec. 28, 2010**

(54) **RADIATOR GRILL FOR A VEHICLE**

D587,637 S * 3/2009 Pfeiffer D12/164
D589,413 S * 3/2009 Pfeiffer D12/163
D598,818 S * 8/2009 Bauer et al. D12/163

(75) Inventors: **Karlheinz Bauer**, Esslingen (DE); **Ingo Feuerherdt**, Herrenberg (DE); **Hans-Dieter Futschik**, Gechingen (DE); **Holger Hutzenlaub**, Boeblingen (DE); **Steffen Koehl**, Stuttgart (DE); **Frank Pfisterer**, Weil der Stadt (DE); **Uwe Schuller**, Holzgerlingen (DE)

* cited by examiner

Primary Examiner—Melody N Brown
(74) *Attorney, Agent, or Firm*—Crowell & Moring, LLP.

(73) Assignee: **Daimler AG**, Stuttgart (DE)

(**) Term: **14 Years**

(21) Appl. No.: **29/309,786**

(22) Filed: **Oct. 10, 2008**

(30) **Foreign Application Priority Data**

Apr. 11, 2008 (DE) 402008001805

(51) **LOC (9) Cl.** **12-16**

(52) **U.S. Cl.** **D12/163**

(58) **Field of Classification Search** D12/163,
D12/171, 196, 216, 90-92, 86; 180/68.1,
180/68.6; 296/193.11

See application file for complete search history.

(56) **References Cited**

U.S. PATENT DOCUMENTS

D519,426 S * 4/2006 Ikeda D12/163
D524,703 S * 7/2006 Konaka D12/163
D526,253 S * 8/2006 Oda D12/163
D537,018 S * 2/2007 Fujimaki D12/163
D545,727 S 7/2007 Pfeiffer
D558,104 S 12/2007 Hieke
D563,289 S * 3/2008 Pfeiffer D12/163
D576,924 S * 9/2008 Braeuchle D12/163

(57) **CLAIM**

The ornamental design for a radiator grill for a vehicle, as shown and described.

DESCRIPTION

This application is related to co-pending application Serial No. 29/309,988, filed Nov. 26, 2008 and entitled Front Portion of a Vehicle, Toy, or Likeness Thereof.

FIG. 1 is a left perspective view of a first embodiment of a radiator grill for a vehicle according to our novel design, the right perspective view being mirror symmetrical;

FIG. 2 is a front view thereof;

FIG. 3 is a right side view thereof, the left side view being mirror symmetrical; and

FIG. 4 is a top view thereof.

FIG. 5 is a left perspective view of a second embodiment of the radiator grill for a vehicle according to our novel design, the right perspective view being mirror symmetrical;

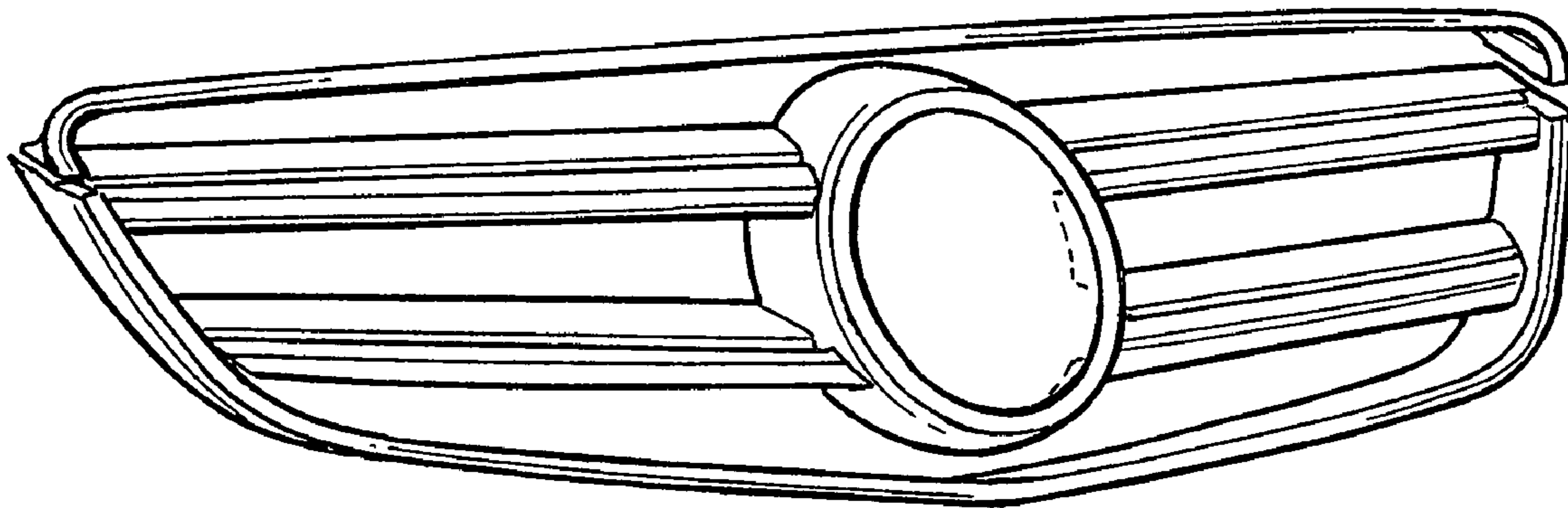
FIG. 6 is a front view of FIG. 5;

FIG. 7 is a right side view of FIG. 5, the left side view being mirror symmetrical; and,

FIG. 8 is a top view of FIG. 5.

The broken lines are for illustrative purposes only and form no part of the claimed design.

1 Claim, 4 Drawing Sheets



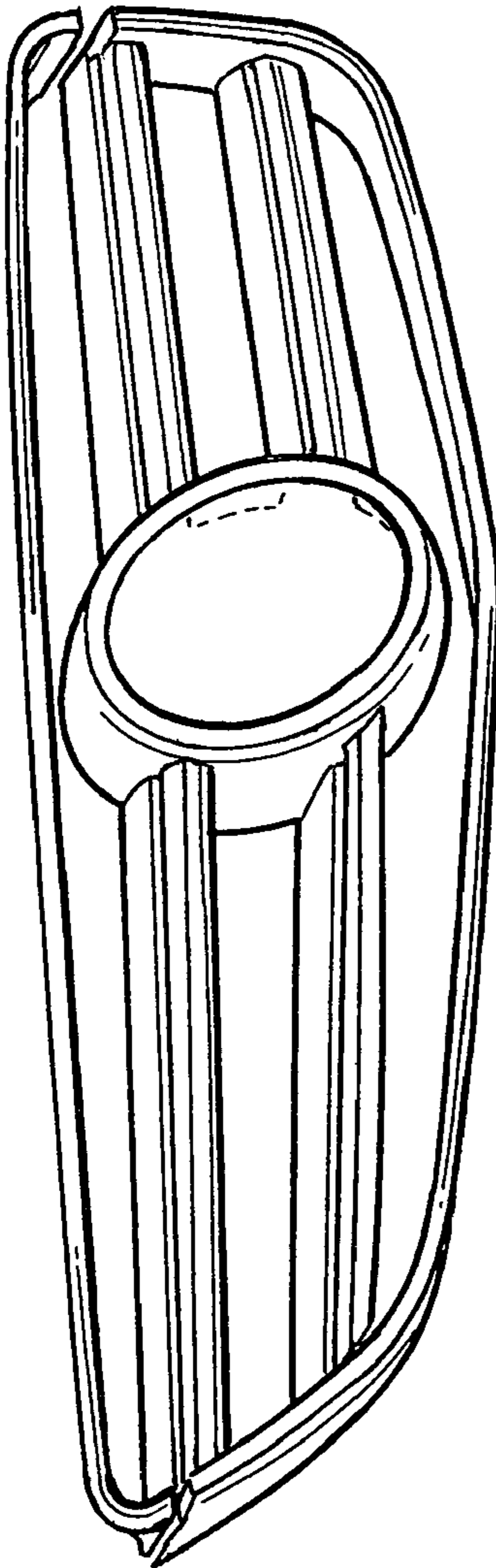


FIG. 1

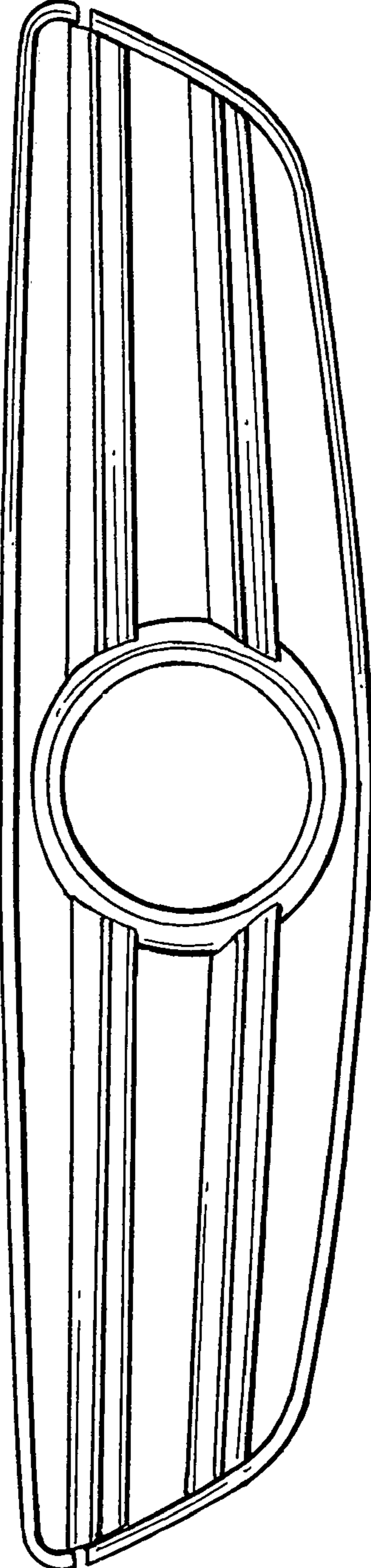


FIG. 2

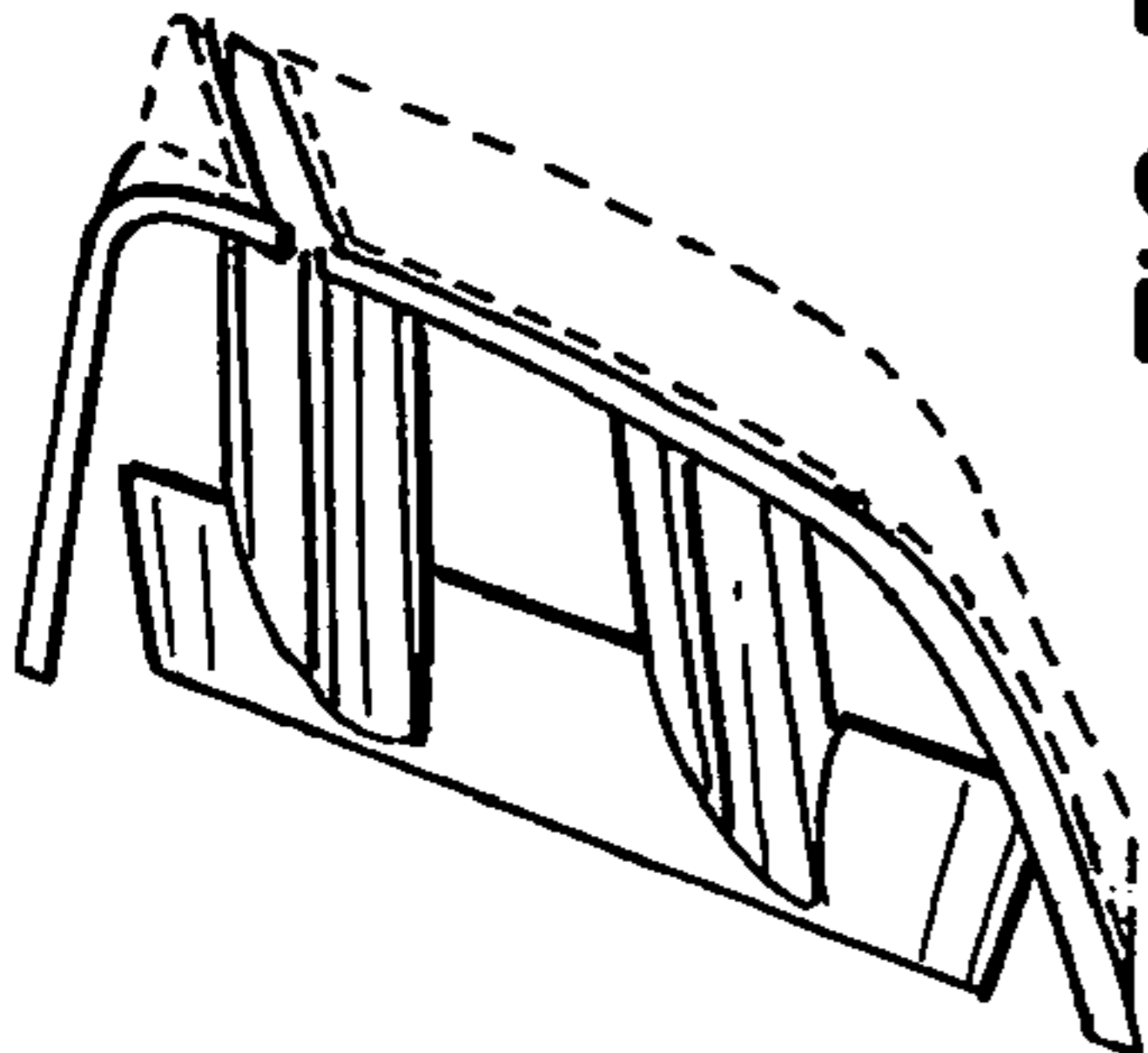


FIG. 3

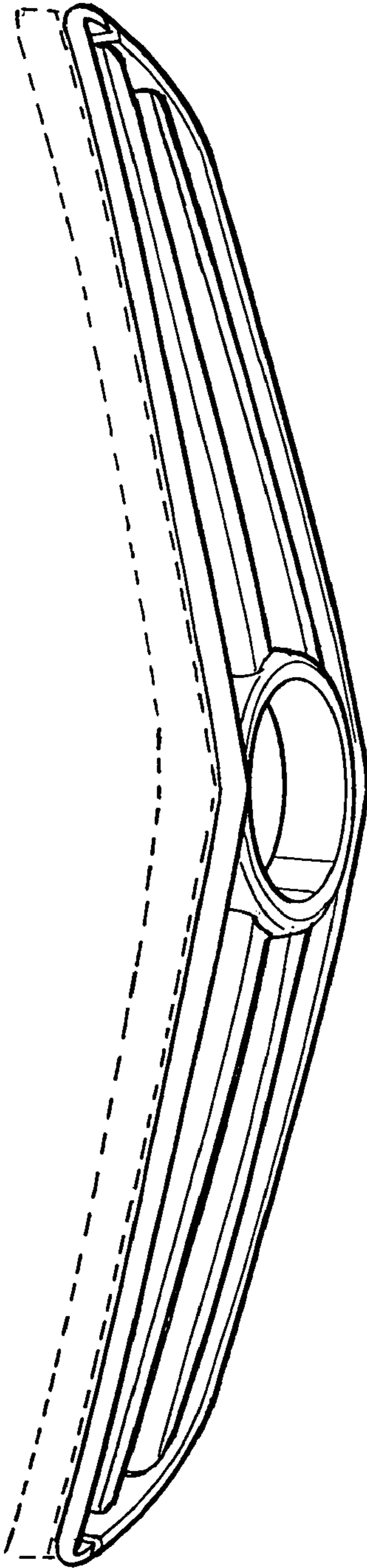


FIG. 4

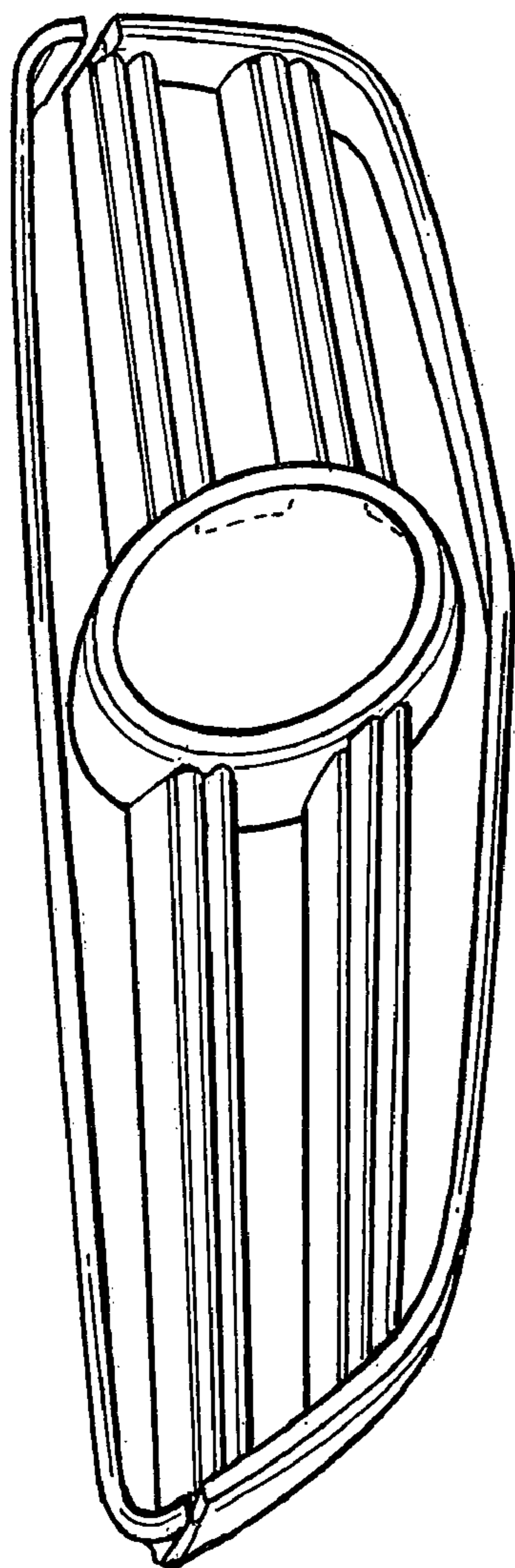


FIG. 5

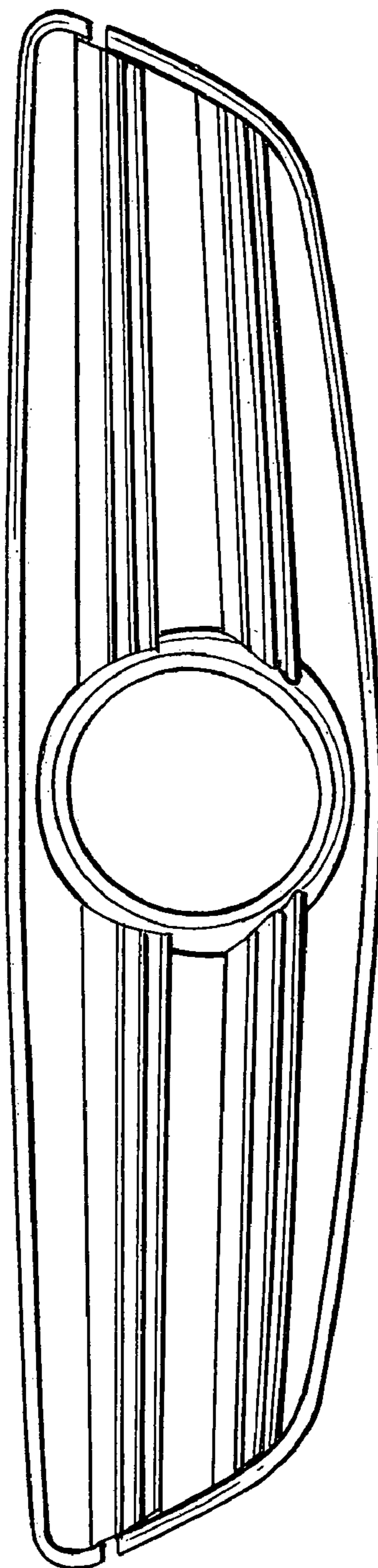


FIG. 6

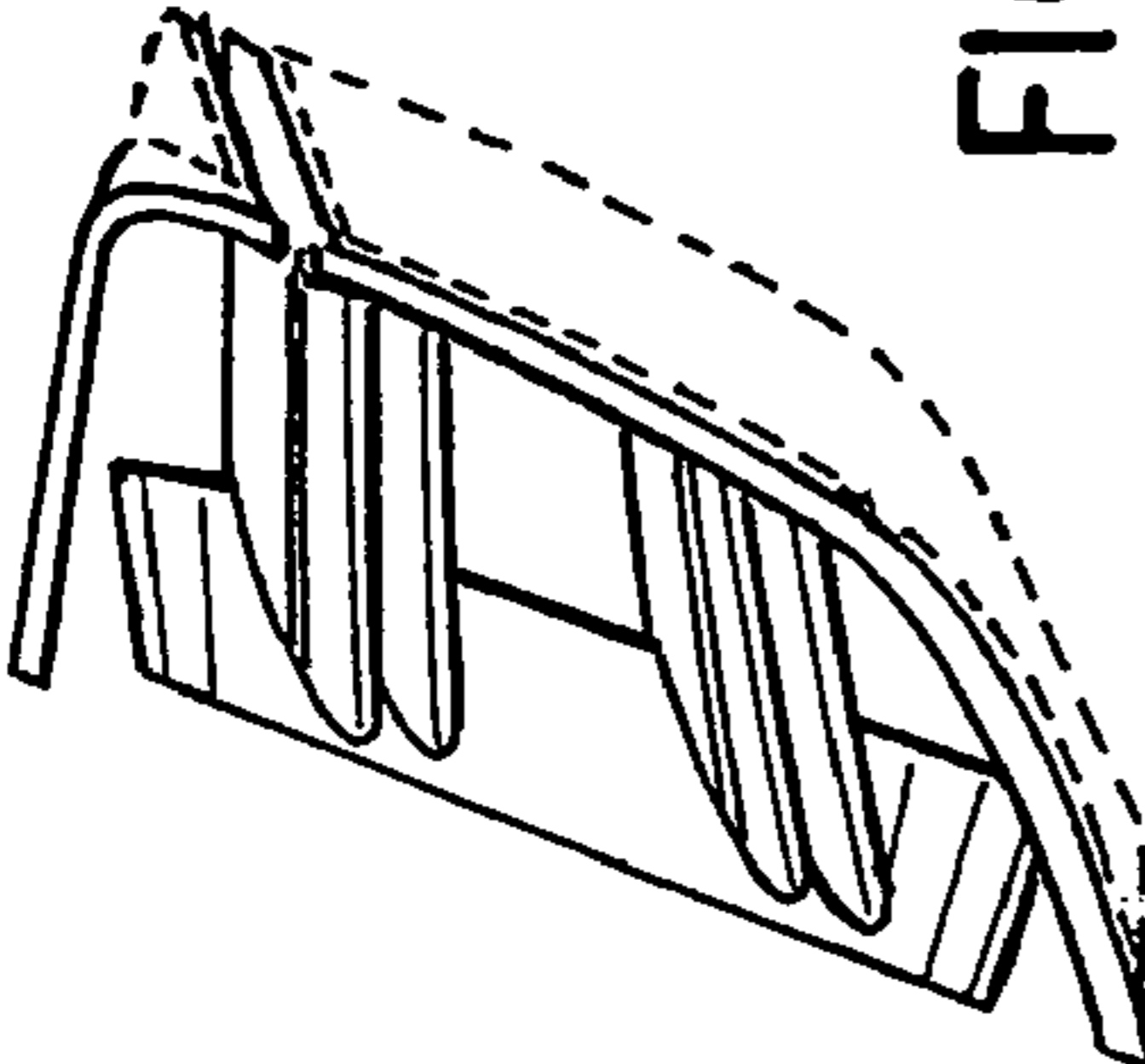


FIG. 7

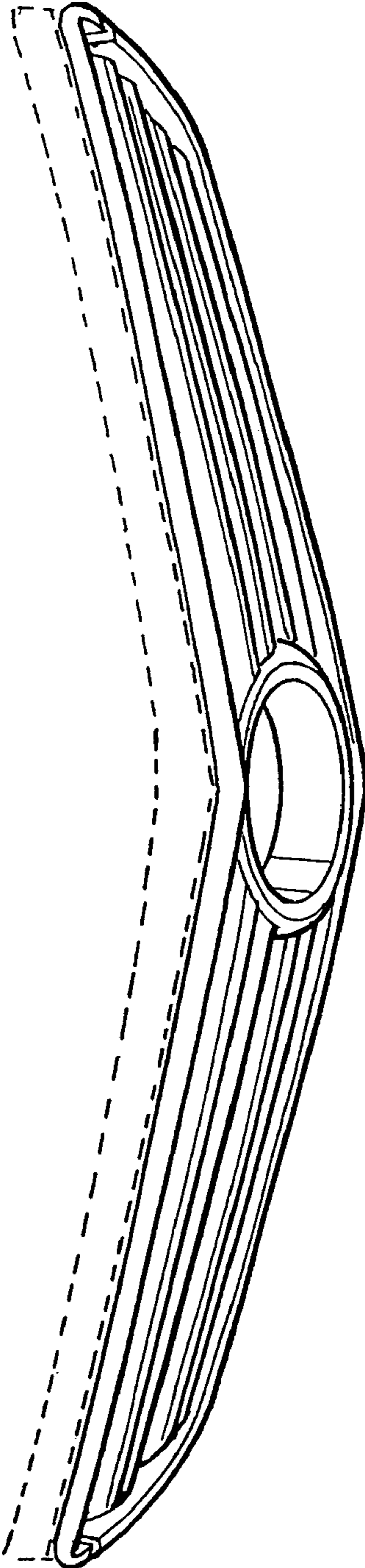


FIG. 8