



US00D629715S

(12) **United States Design Patent**  
**Hermann**

(10) **Patent No.:** **US D629,715 S**

(45) **Date of Patent:** **\*\* Dec. 28, 2010**

(54) **BUCKLE**

(75) Inventor: **Valérie Hermann**, Neuilly (FR)

(73) Assignee: **Yves Saint Laurent**, Paris (FR)

(\*\*) Term: **14 Years**

(21) Appl. No.: **29/352,260**

(22) Filed: **Dec. 18, 2009**

(51) **LOC (9) Cl.** ..... **02-07**

(52) **U.S. Cl.** ..... **D11/210**

(58) **Field of Classification Search** ..... D11/1-2,  
D11/200-201, 203-206, 210, 212, 214-219,  
D11/222, 224, 226; 24/163 R, 169-171,  
24/173, 177-179, 191, 194-195, 197, 200  
See application file for complete search history.

(56) **References Cited**

**U.S. PATENT DOCUMENTS**

- D25,434 S \* 4/1896 Rubin ..... D11/200
- D35,234 S \* 10/1901 Phillips ..... D11/200
- 1,243,565 A \* 10/1917 Kemp ..... 294/26

- D382,105 S \* 8/1997 Bonaldi ..... D3/215
- D507,996 S \* 8/2005 Peralta ..... D12/133
- D525,168 S \* 7/2006 Pontaoe ..... D11/208
- D603,751 S \* 11/2009 Murray et al. .... D11/200

\* cited by examiner

*Primary Examiner*—Ralf Seifert

(74) *Attorney, Agent, or Firm*—Collen IP; Donald J. Ranft

(57) **CLAIM**

The ornamental design for a buckle, as shown and described.

**DESCRIPTION**

FIG. 1 is a front perspective view of the first embodiment of my new, original and ornamental design for a buckle;

FIG. 2 is a rear perspective view thereof;

FIG. 3 is a top view thereof;

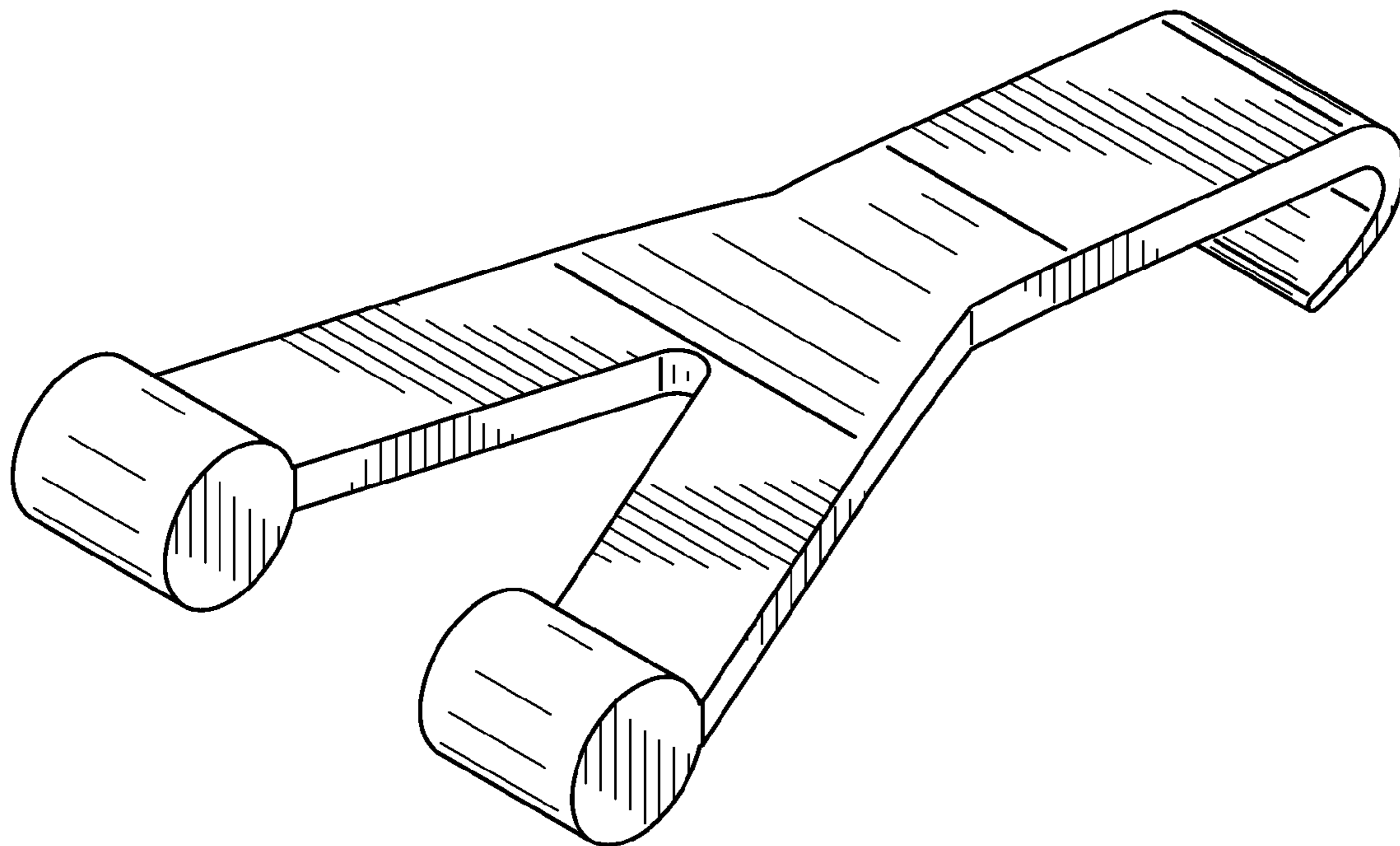
FIG. 4 is a bottom view thereof;

FIG. 5 is a right side view thereof;

FIG. 6 is a front view thereof; and,

FIG. 7 is a rear view thereof.

**1 Claim, 3 Drawing Sheets**



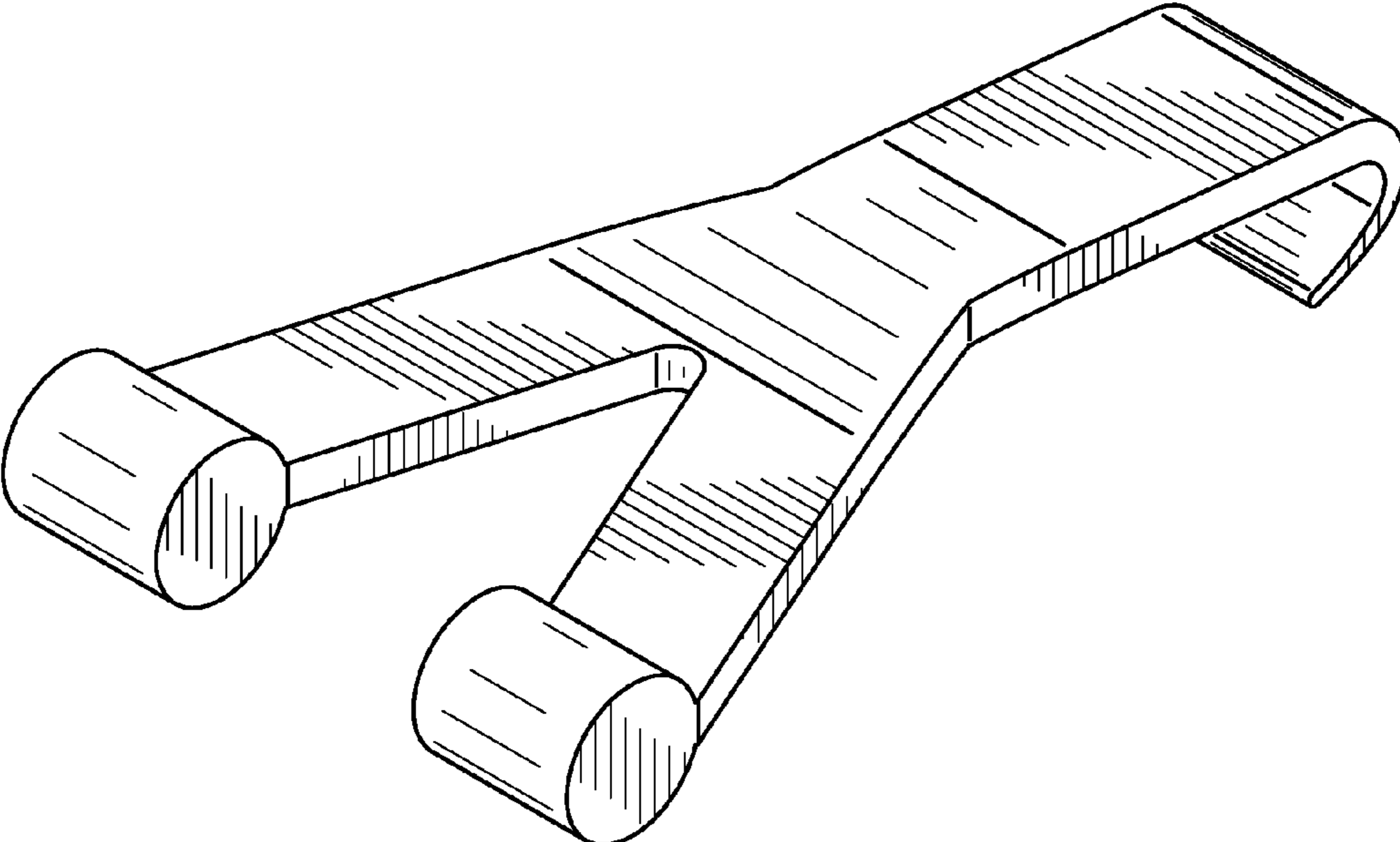


FIG. 1

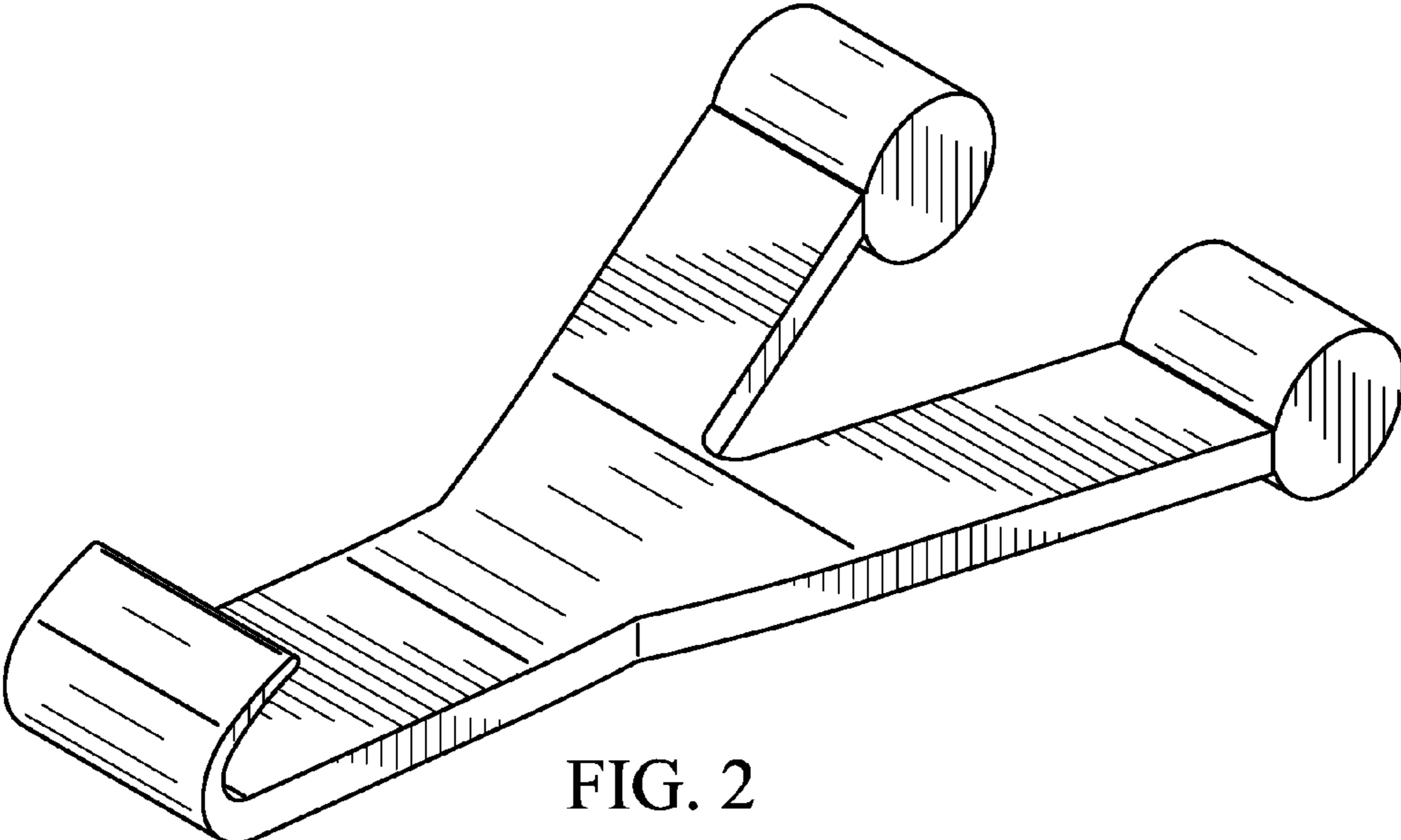
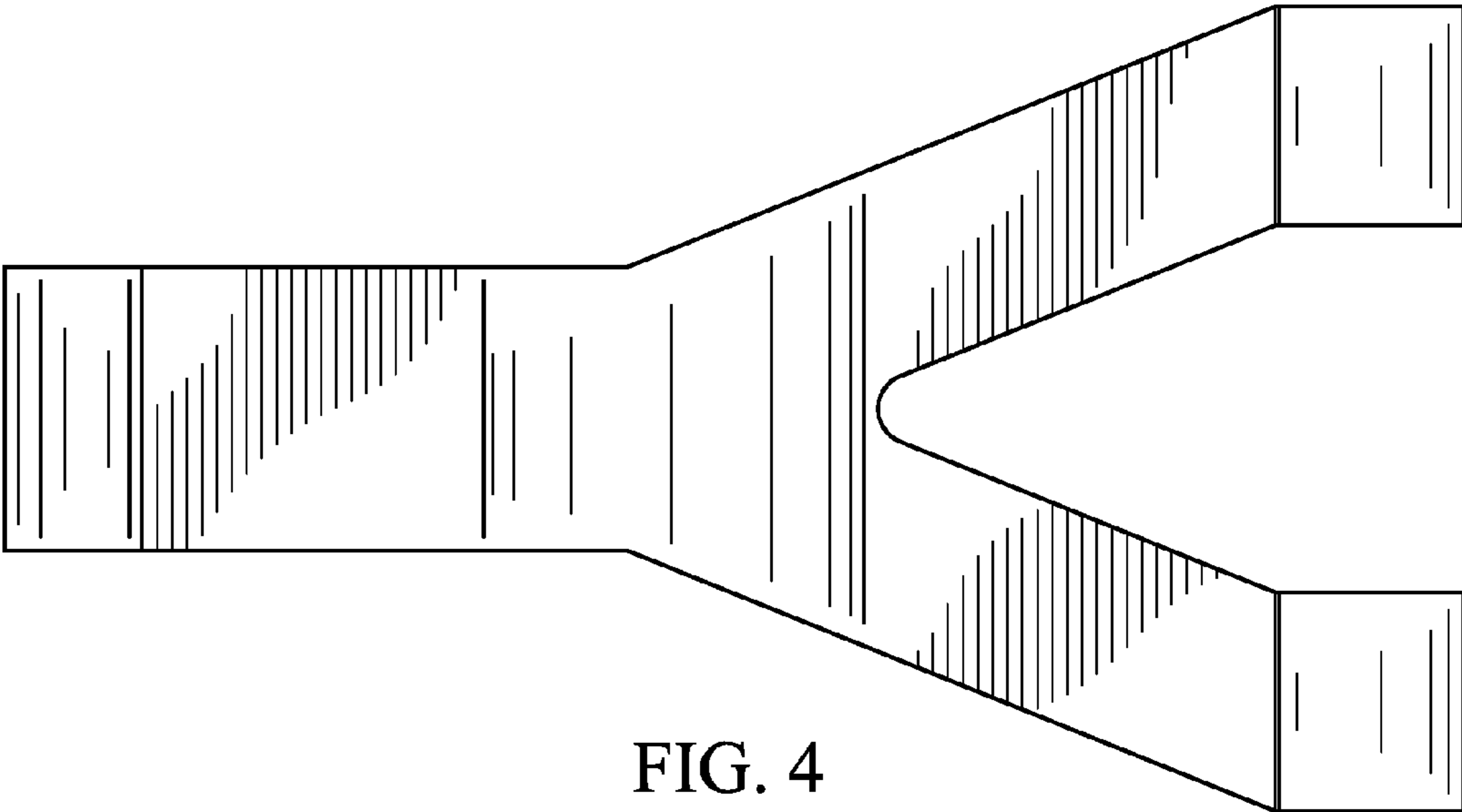
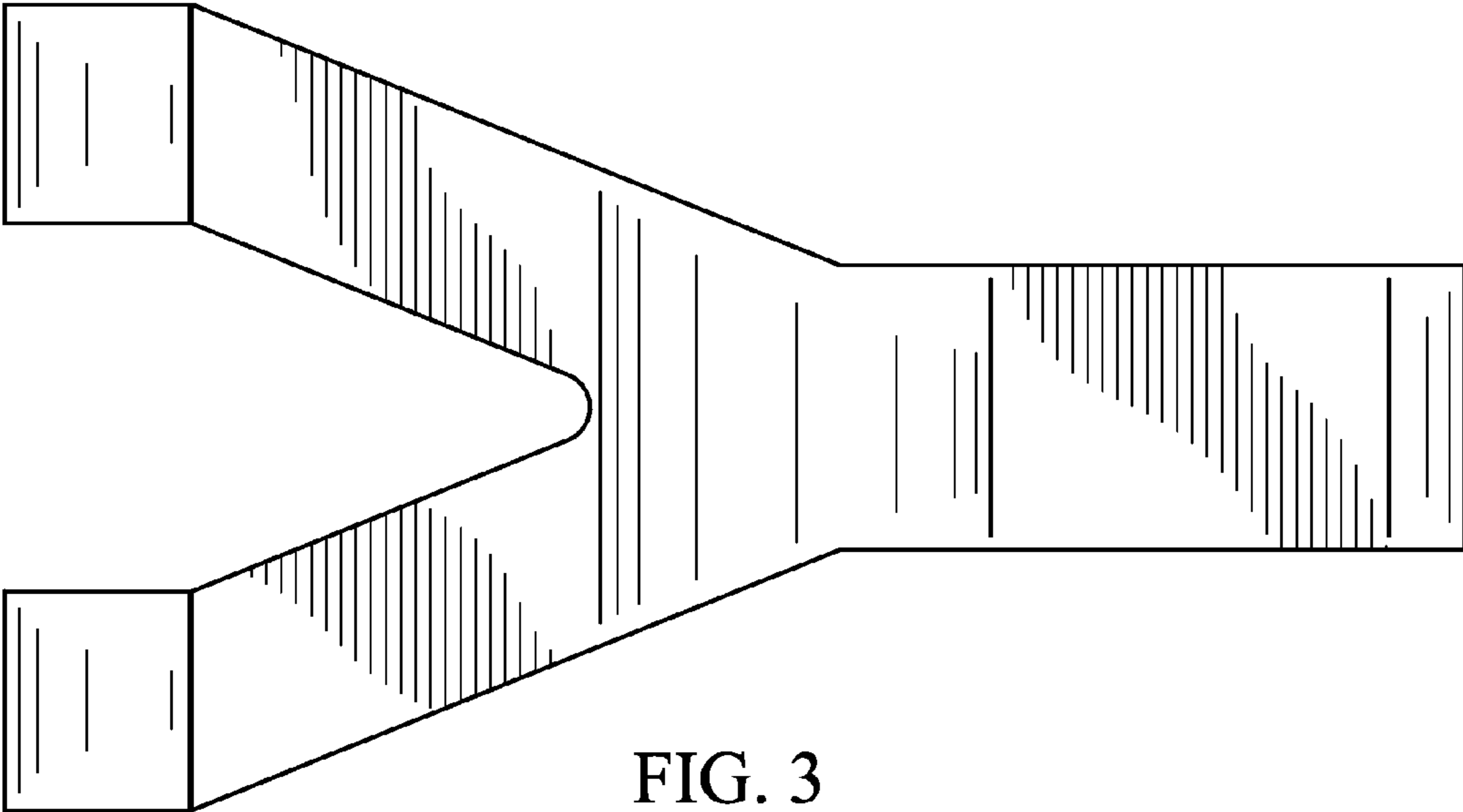


FIG. 2



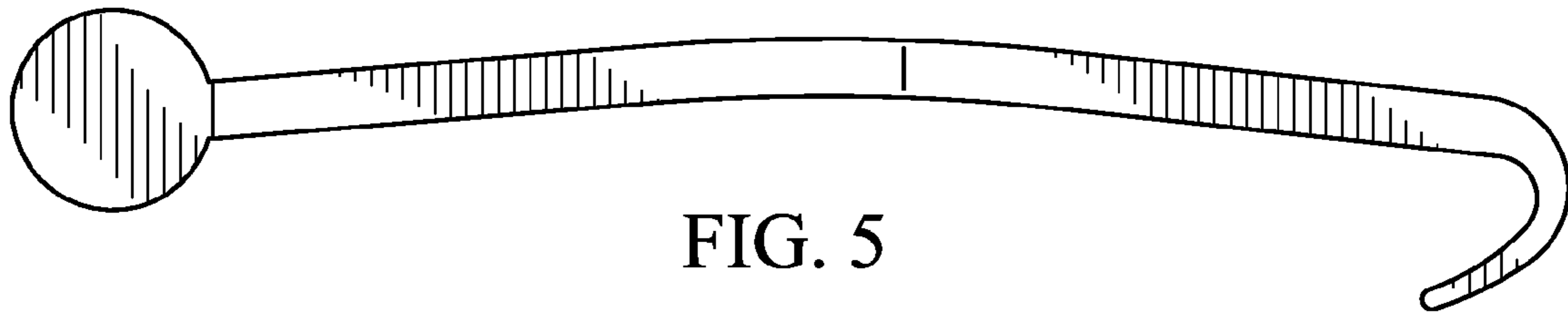


FIG. 5

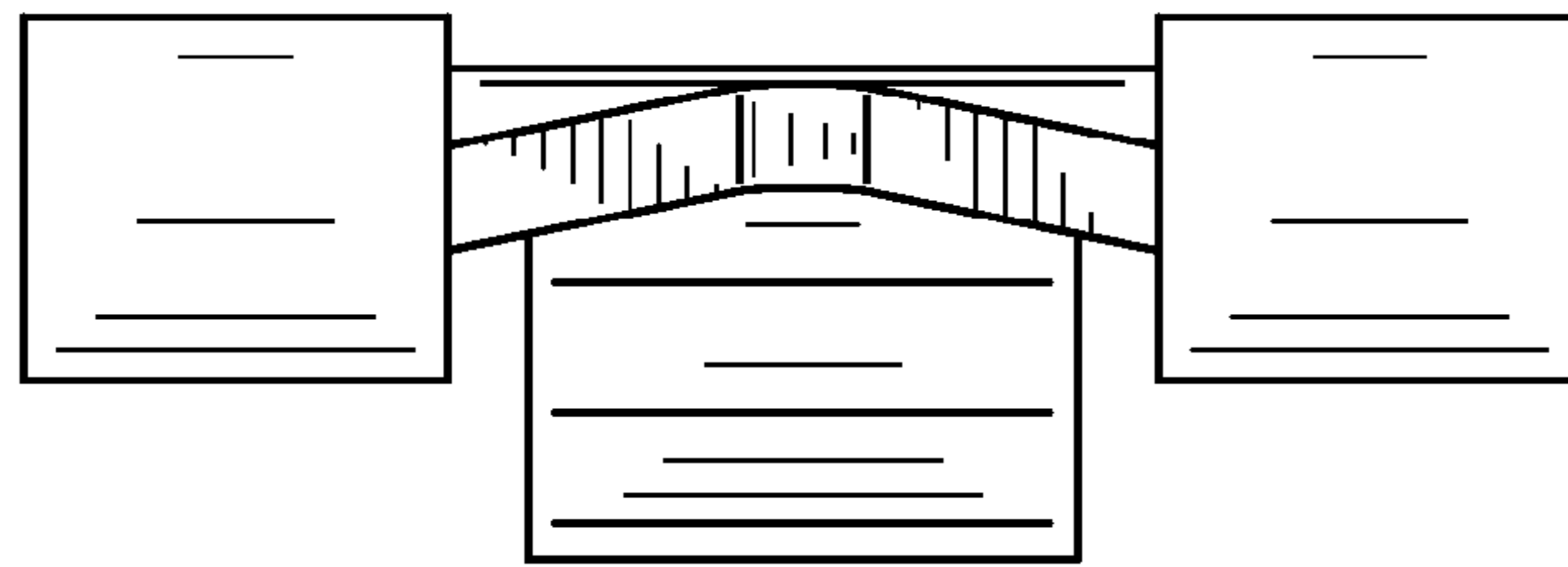


FIG. 6

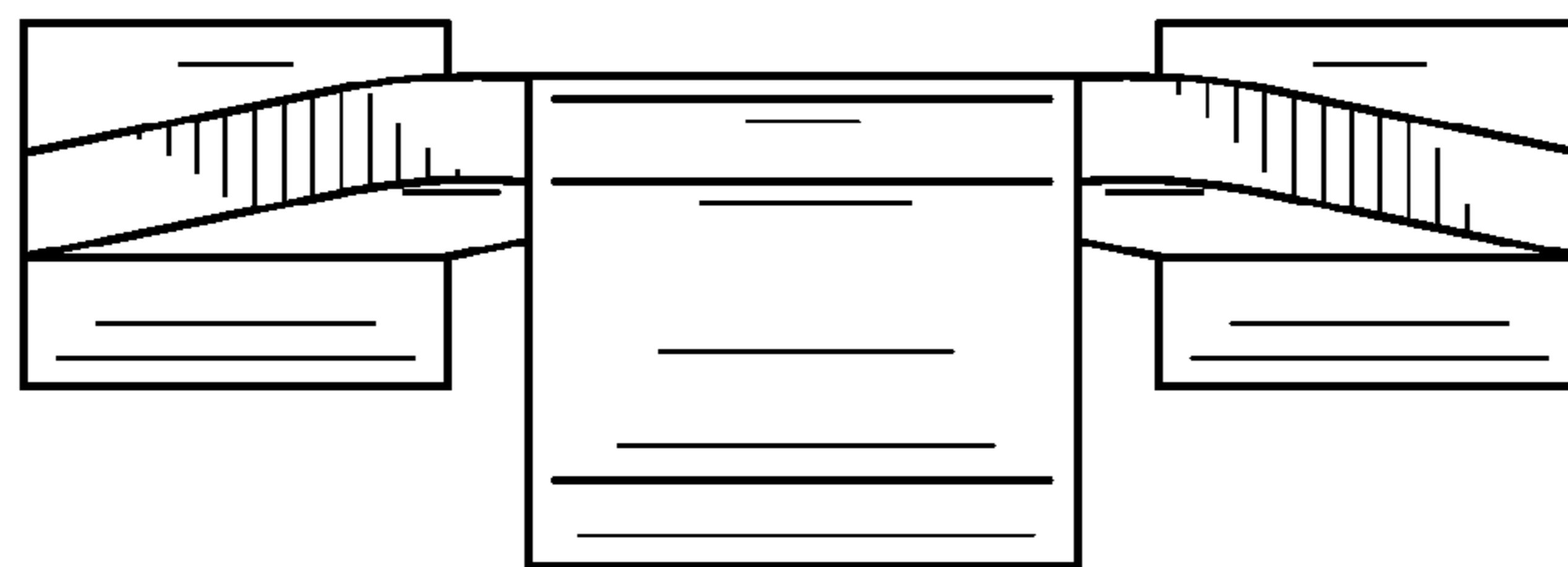


FIG. 7