



US00D629709S

(12) **United States Design Patent**
Bulman-Fleming et al.

(10) **Patent No.:** **US D629,709 S**

(45) **Date of Patent:** **** Dec. 28, 2010**

(54) **MARKER LIGHT**

(75) Inventors: **Jon Bulman-Fleming**, Victoria (CA);
Eric Pesty, Victoria (CA); **Aaron Lockwood**, Victoria (CA); **Damien Gabriel Hortsing**, Victoria (CA)

(73) Assignee: **Carmanah Technologies Corp.**,
Victoria, British Columbia (CA)

(**) Term: **14 Years**

(21) Appl. No.: **29/336,228**

(22) Filed: **Apr. 29, 2009**

(30) **Foreign Application Priority Data**

May 3, 2009 (CA) 129806

(51) **LOC (9) Cl.** **10-05**

(52) **U.S. Cl.** **D10/114**

(58) **Field of Classification Search** D10/104,
D10/109, 114; D26/72, 76, 28, 67, 36; 340/574,
340/539.13, 332, 540, 908.1, 143, 153.1,
340/158, 341, 485, 516; D8/331; 362/511;
40/607.04; 315/362

See application file for complete search history.

(56) **References Cited**

U.S. PATENT DOCUMENTS

5,136,475 A * 8/1992 McDermott 362/158

5,567,036 A * 10/1996 Theobald et al. 362/485
D401,368 S * 11/1998 Baader et al. D26/36
6,949,894 B1 * 9/2005 Sullivan et al. 315/362
7,568,821 B2 * 8/2009 Peck et al. 362/341
2002/0180616 A1 * 12/2002 Laidman 340/908.1
2004/0145909 A1 * 7/2004 Ognian et al. 362/516
2009/0027497 A1 * 1/2009 Peacock et al. 348/143
2010/0008073 A1 * 1/2010 Tartock et al. 362/153.1

* cited by examiner

Primary Examiner—Caron Veynar

Assistant Examiner—George D Kirschbaum

(74) *Attorney, Agent, or Firm*—Quarles & Brady LLP; Gavin J. Milczarek-Desai

(57) **CLAIM**

The ornamental design for a marker light, as shown and described.

DESCRIPTION

FIG. 1 is a top perspective view showing our new design.

FIG. 2 is a bottom perspective view thereof.

FIG. 3 is a front view thereof.

FIG. 4 is a rear view thereof.

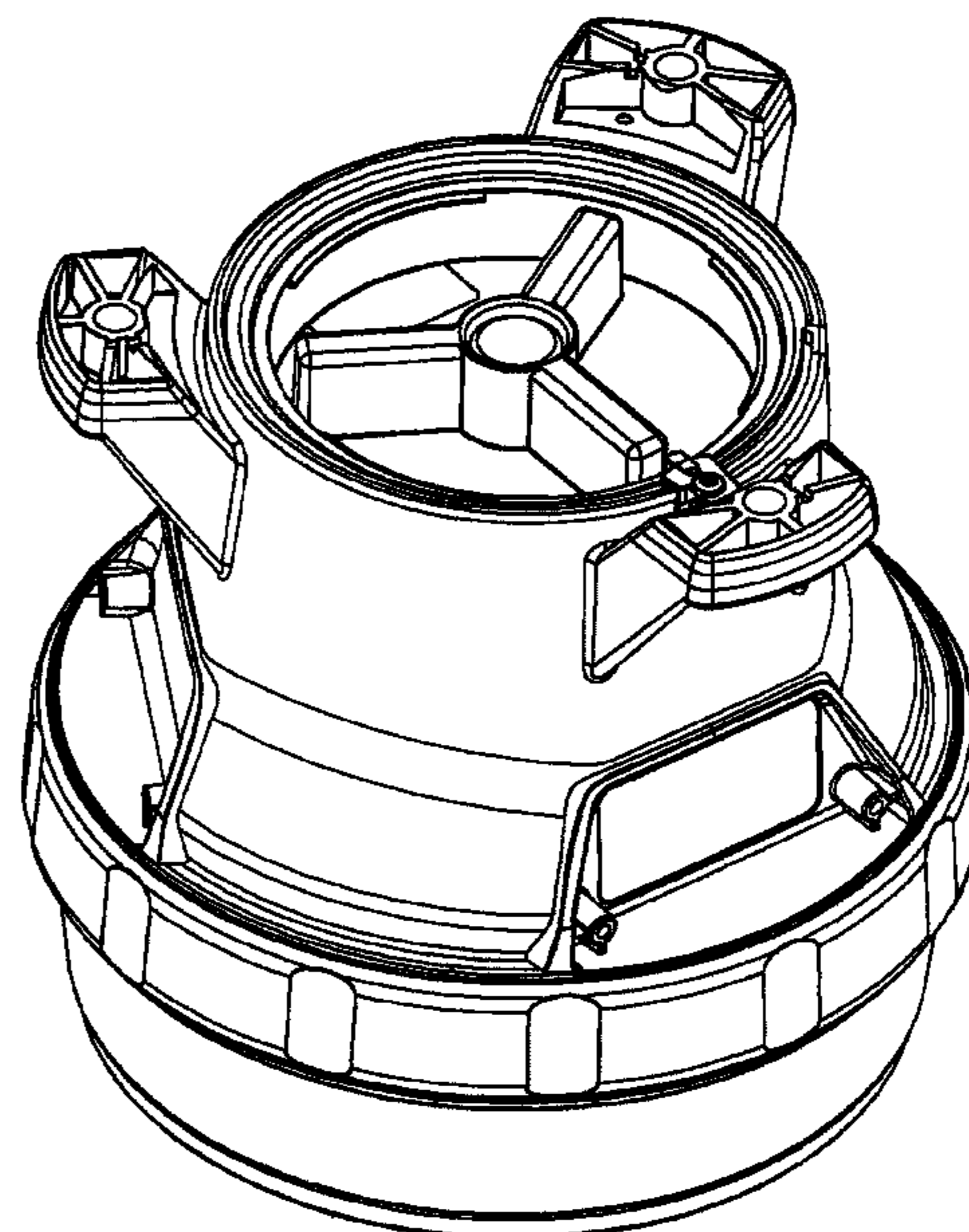
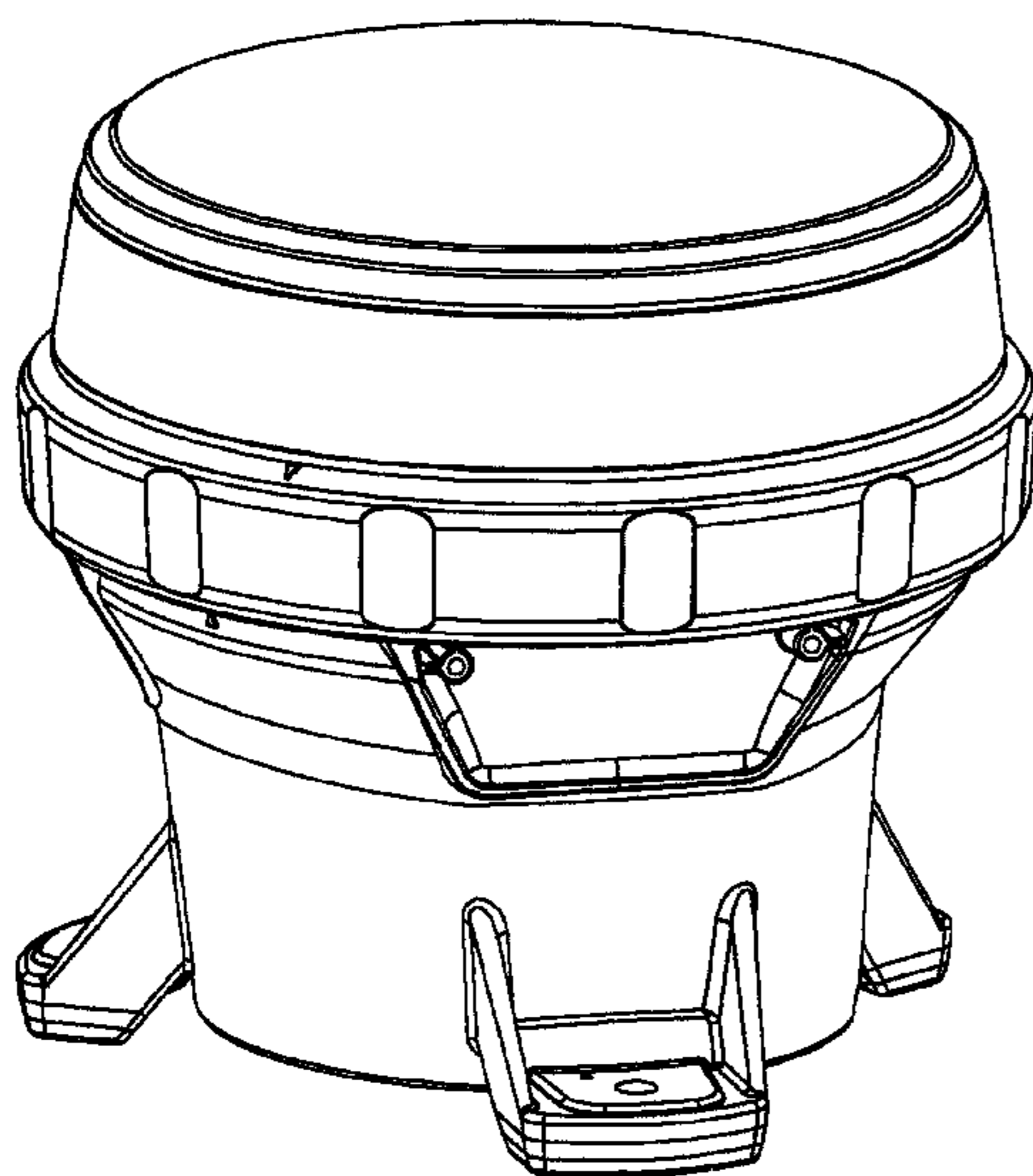
FIG. 5 is a right side view thereof.

FIG. 6 is a left side view thereof.

FIG. 7 is a plan view thereof; and,

FIG. 8 is a bottom view thereof.

1 Claim, 8 Drawing Sheets



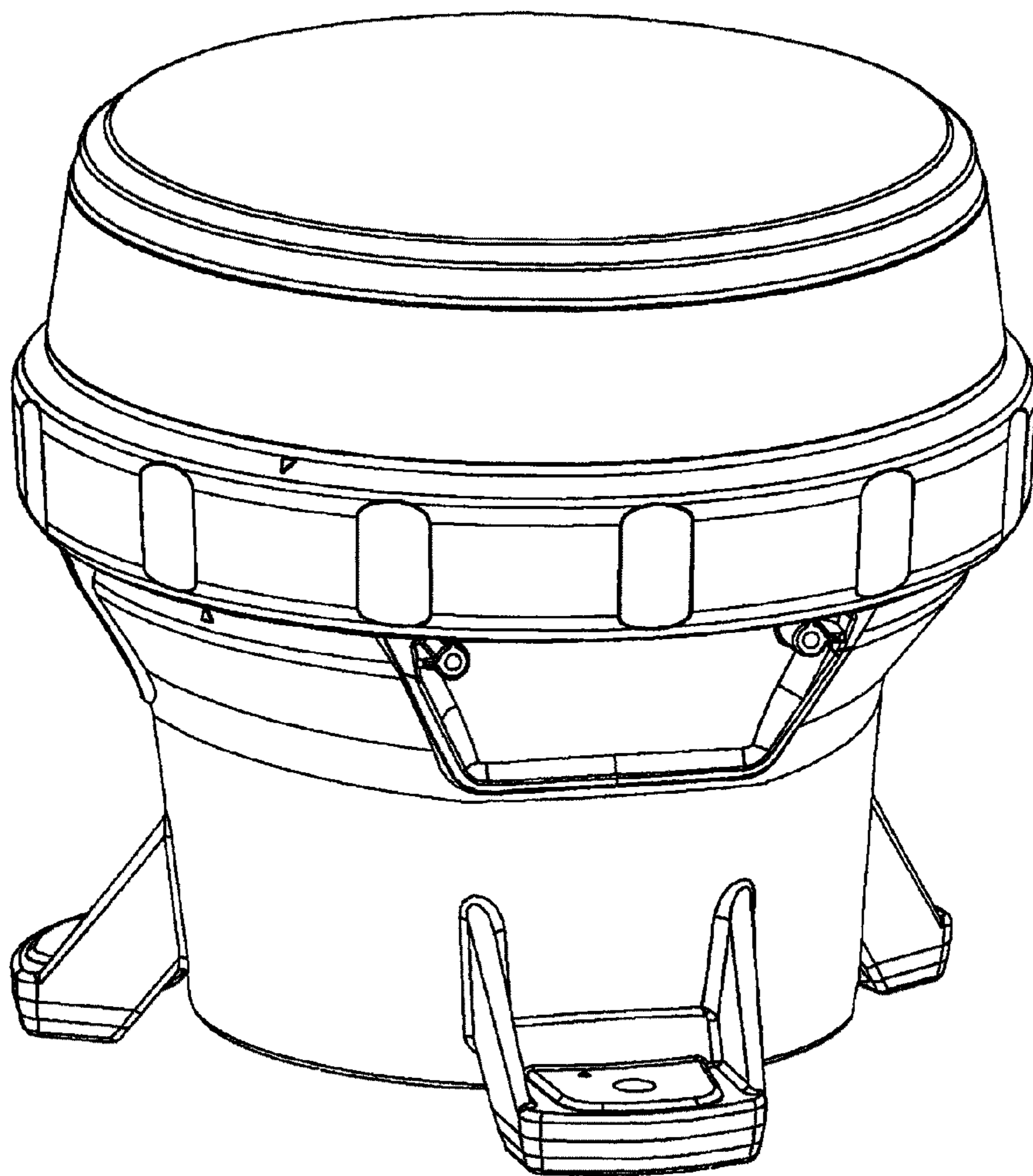


FIGURE 1

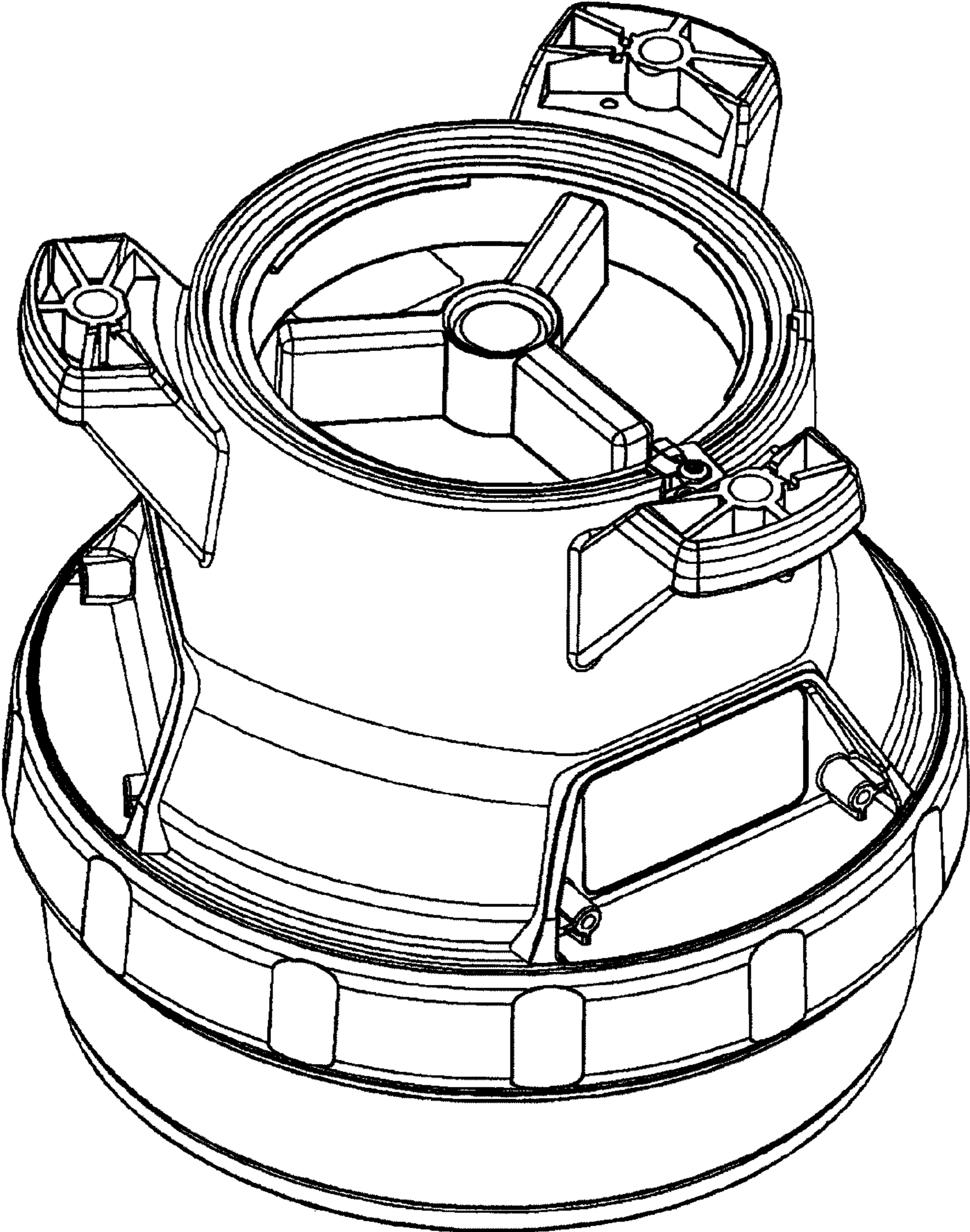


FIGURE 2

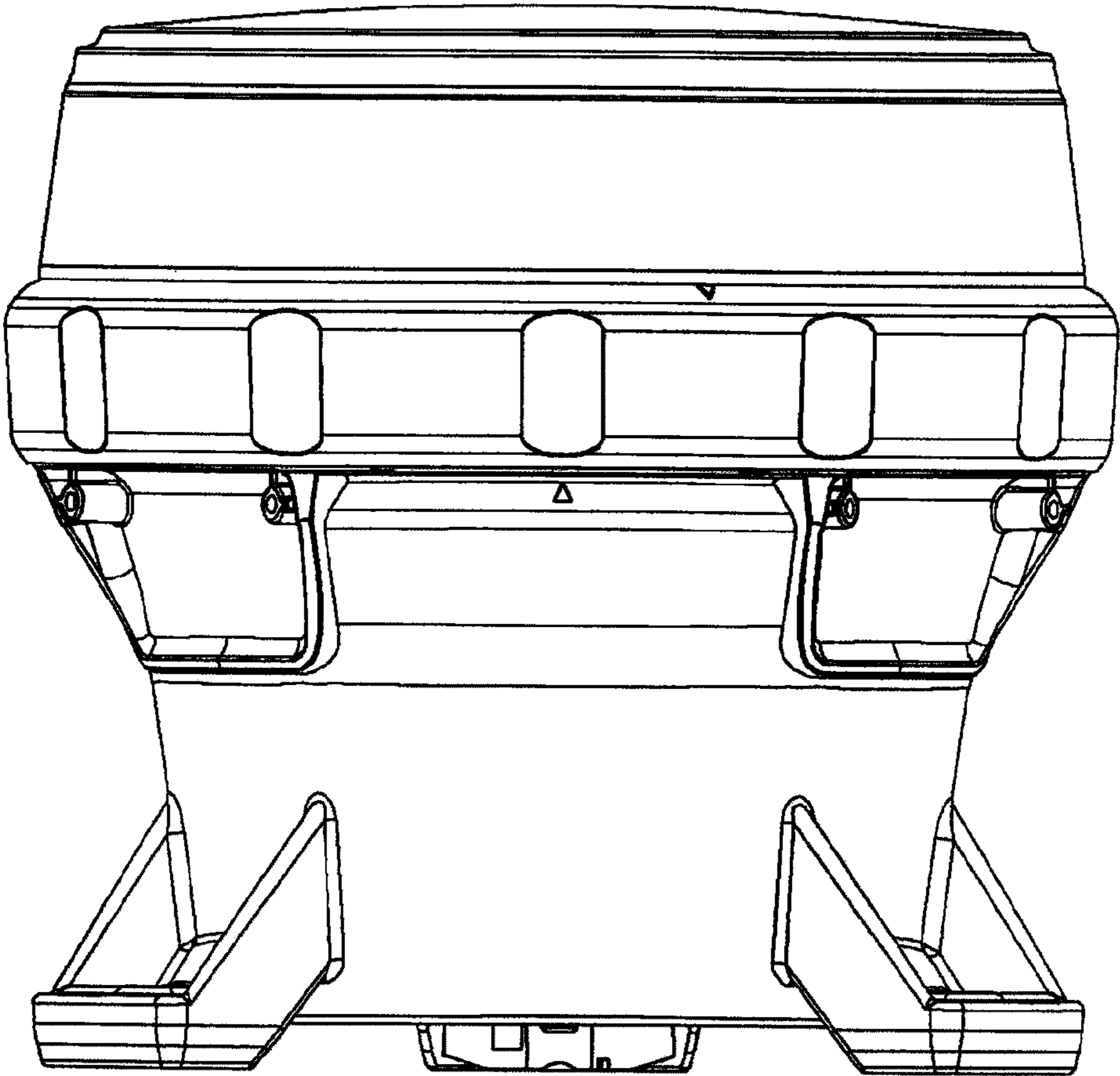


FIGURE 3

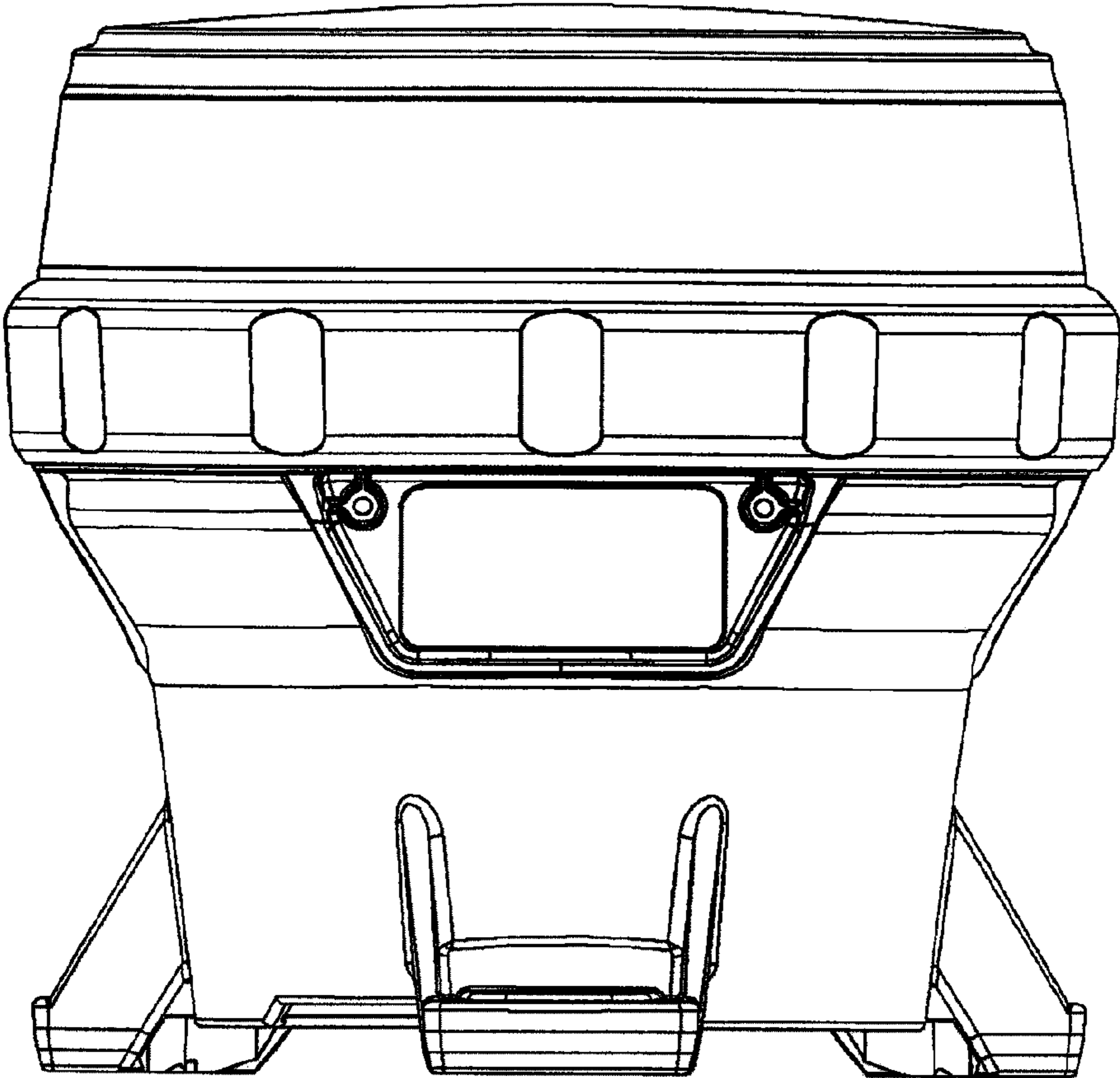


FIGURE 4

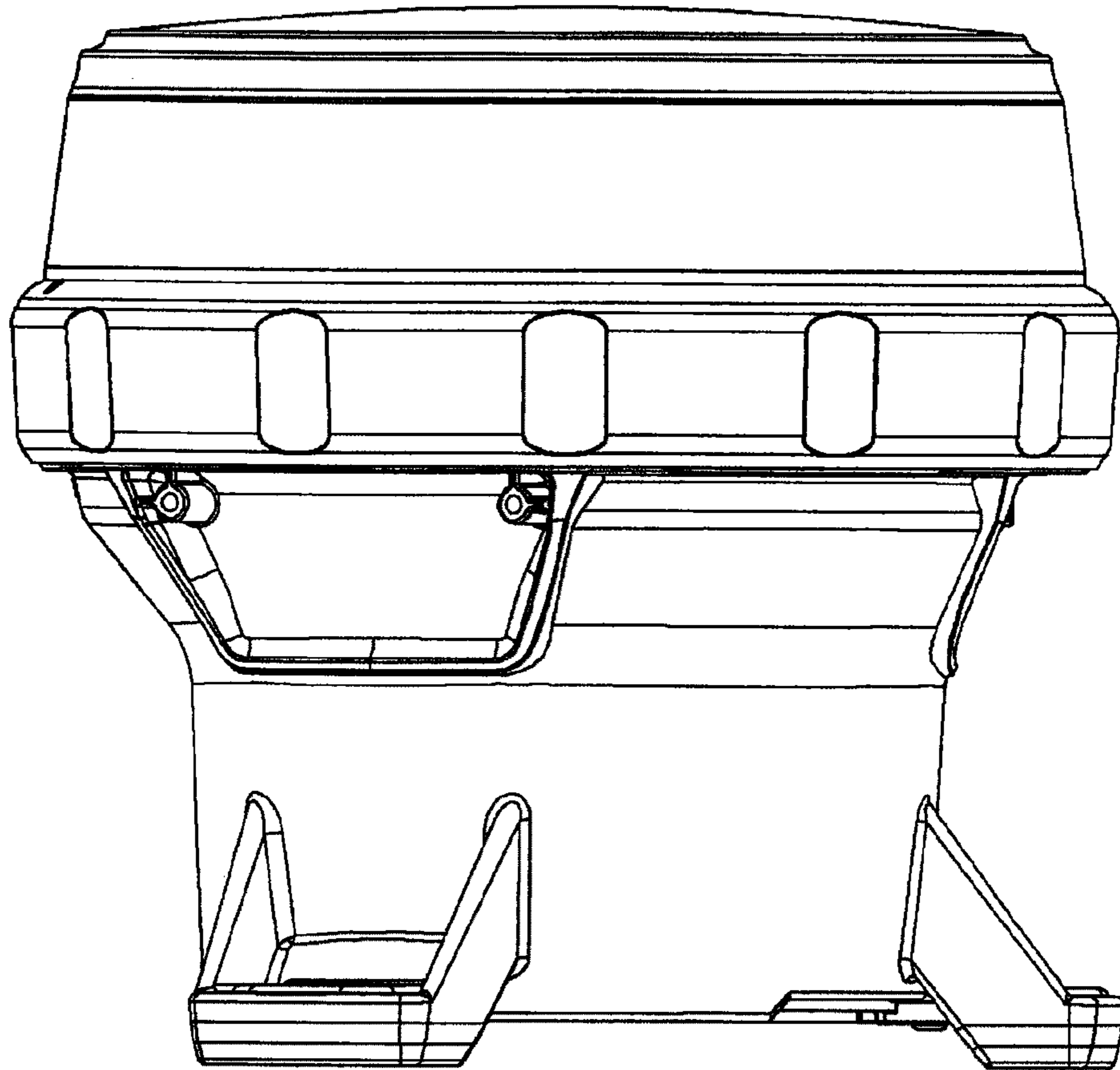


FIGURE 5

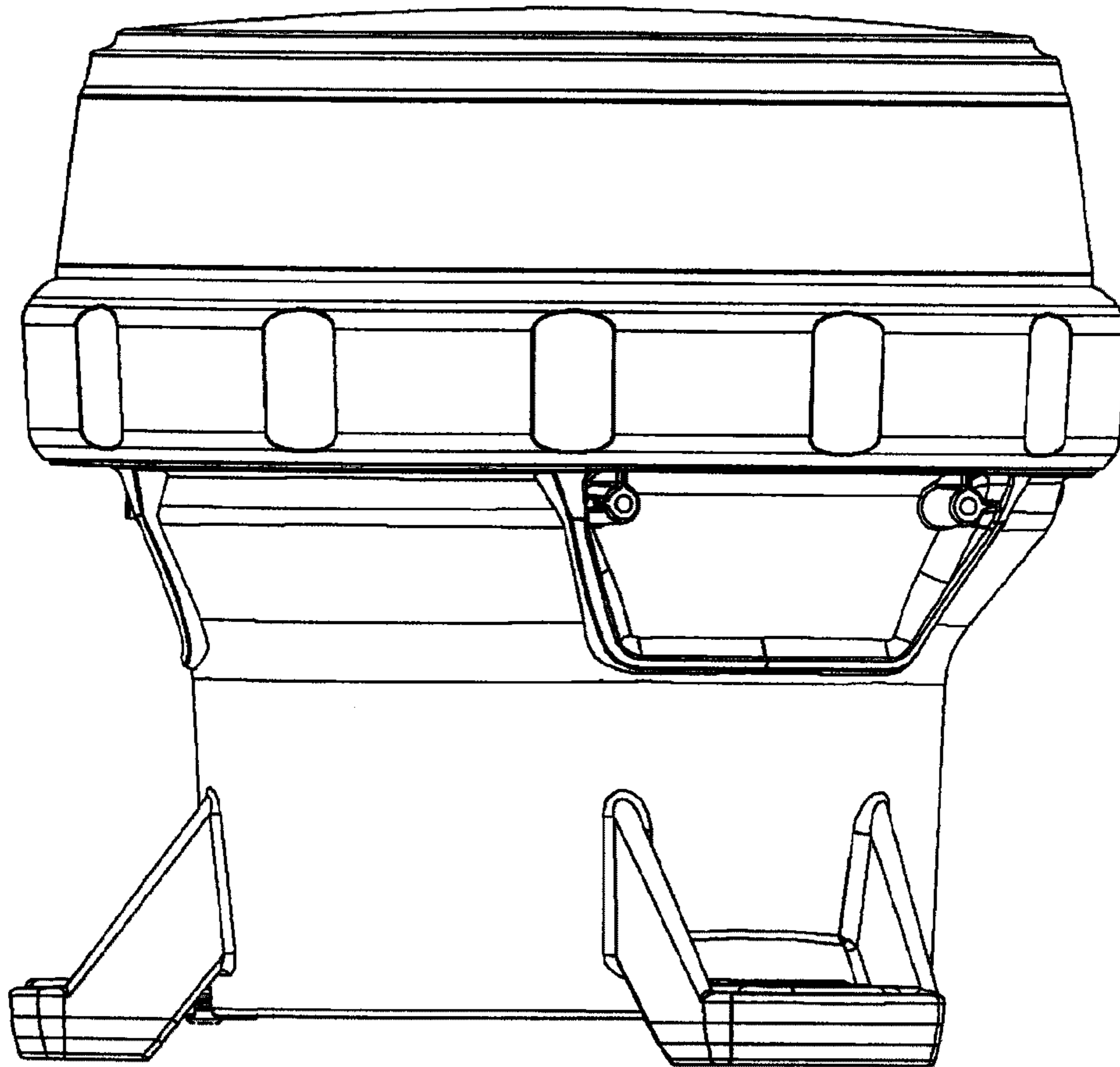


FIGURE 6

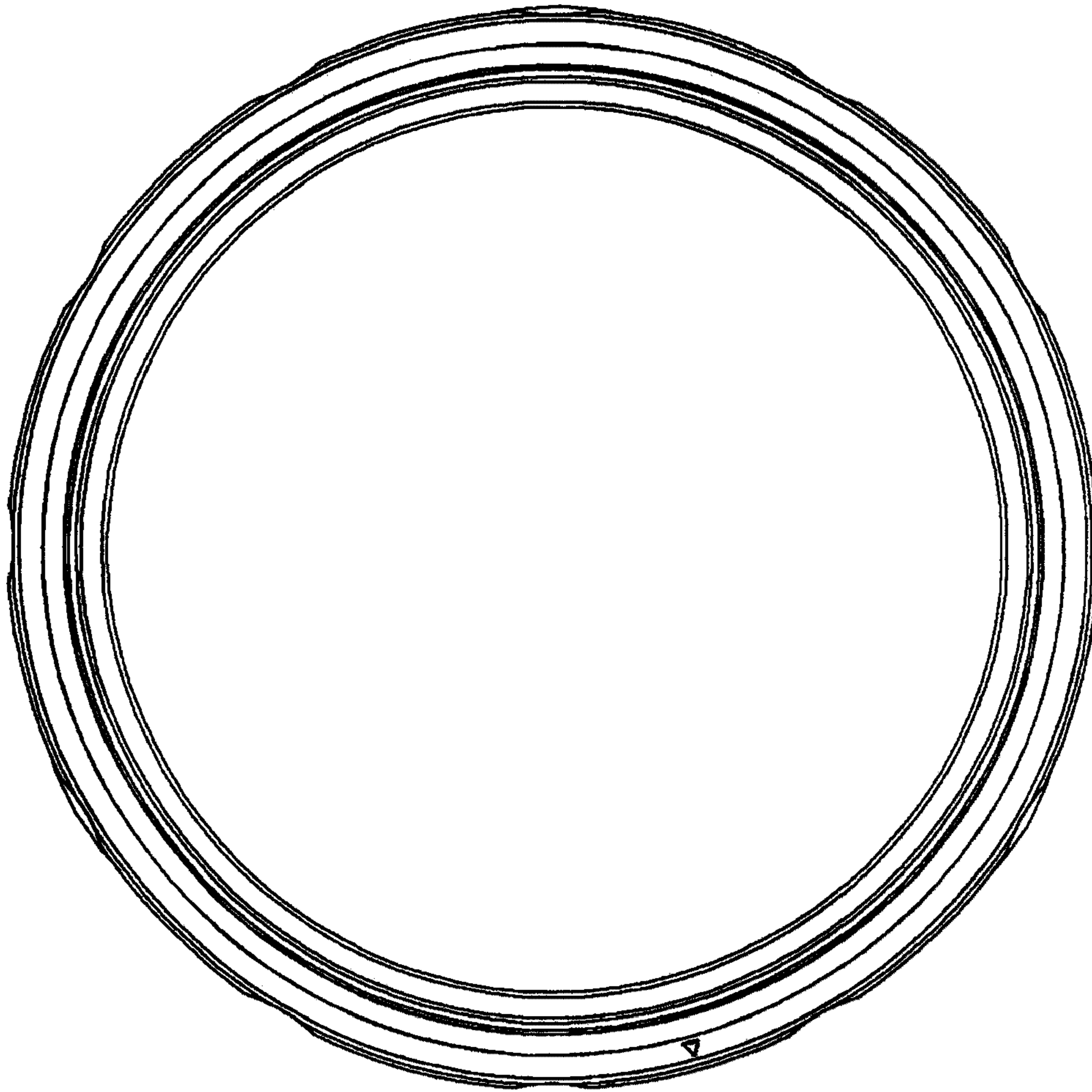


FIGURE 7

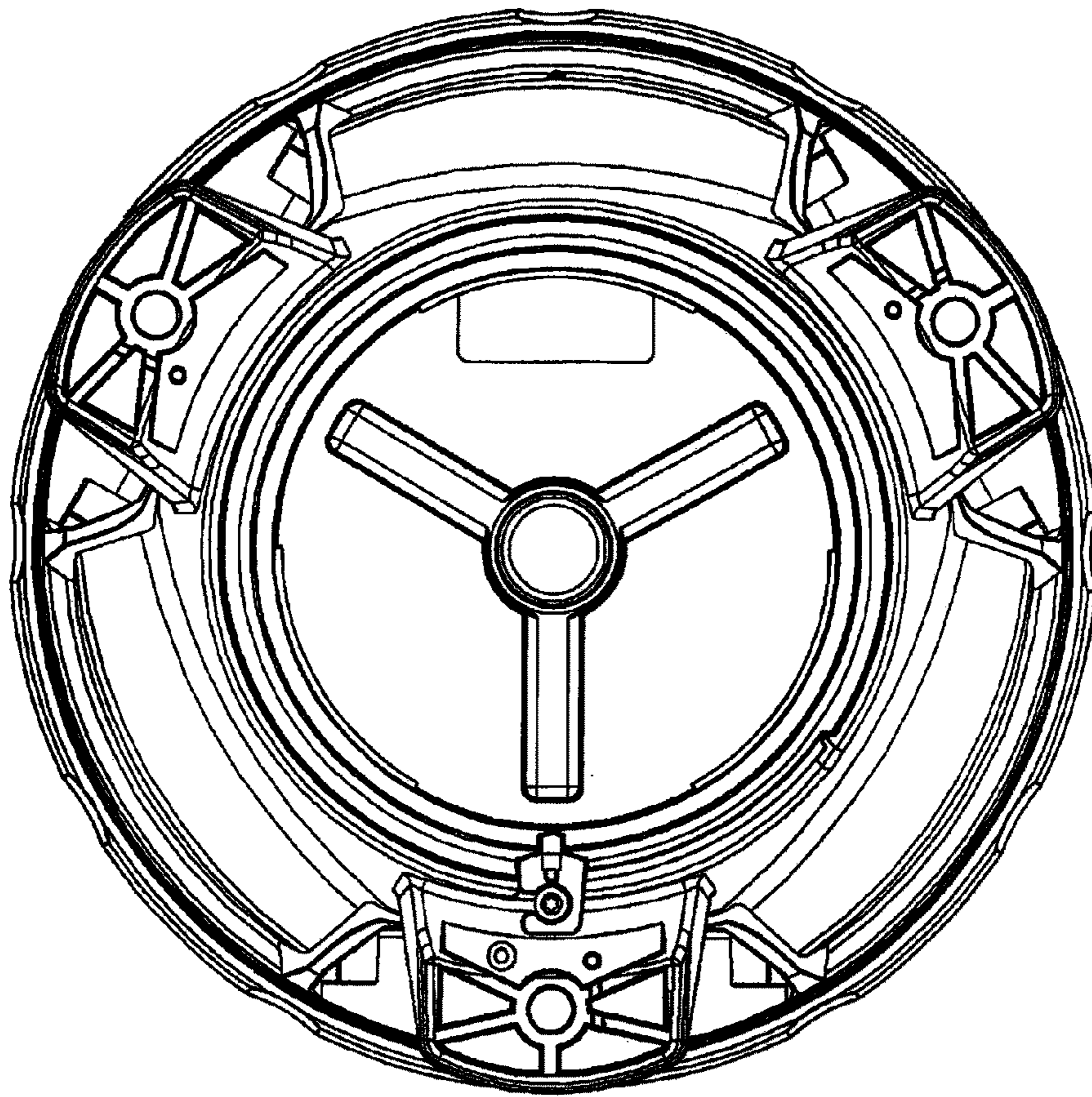


FIGURE 8