



US00D629708S

(12) **United States Design Patent**  
**Popp**

(10) **Patent No.:** **US D629,708 S**

(45) **Date of Patent:** **\*\* Dec. 28, 2010**

(54) **GAGE**

(75) Inventor: **Michael A. Popp**, LaPorte, IN (US)

(73) Assignee: **Dwyer Instruments, Inc.**, Michigan City, IN (US)

(\*\*) Term: **14 Years**

(21) Appl. No.: **29/345,618**

(22) Filed: **Oct. 20, 2009**

(51) **LOC (9) Cl.** ..... **10-04**

(52) **U.S. Cl.** ..... **D10/103; D10/102**

(58) **Field of Classification Search** ..... D10/102-103;  
73/273, 431, 708, 716, DIG. 5; 116/267;  
235/1 C, 1 D; 324/156, 157, 13 R, 113-116;  
340/870.02, 870.29, 870.31; 360/132  
See application file for complete search history.

(56) **References Cited**

**U.S. PATENT DOCUMENTS**

796,058	A *	8/1905	Duncan	.....	324/116
3,136,947	A *	6/1964	Benbow	.....	324/103 R
4,556,844	A *	12/1985	Wason	.....	324/156
D378,806	S *	4/1997	Phelps, III	.....	D10/103
5,774,328	A *	6/1998	Rector et al.	.....	361/667
5,861,742	A *	1/1999	Miller et al.	.....	324/156
D429,655	S *	8/2000	Cowan et al.	.....	D10/99
D447,964	S *	9/2001	Kompa	.....	D10/60
6,333,626	B1 *	12/2001	Edwards	.....	324/110
6,784,807	B2 *	8/2004	Petite et al.	.....	340/870.02
7,019,667	B2 *	3/2006	Petite et al.	.....	340/870.02

**FOREIGN PATENT DOCUMENTS**

KR	3004292860000	10/2006
TW	D126796	1/2009
TW	D126797	1/2009
TW	D128237	4/2009
TW	D128500	5/2009
TW	D129892	7/2009

**OTHER PUBLICATIONS**

Dwyer Instruments, Inc., 2008 Controls & Gages Catalog, 2006, Cover page and pp. 3-19.

\* cited by examiner

*Primary Examiner*—Antoine D Davis

(74) *Attorney, Agent, or Firm*—Barnes & Thornburg LLP

(57) **CLAIM**

The ornamental design for a gage, as shown and described.

**DESCRIPTION**

FIG. 1 is a perspective view of the gage;

FIG. 2 is a front view of the gage;

FIG. 3 is a rear view of the gage;

FIG. 4 is a right side view of the gage;

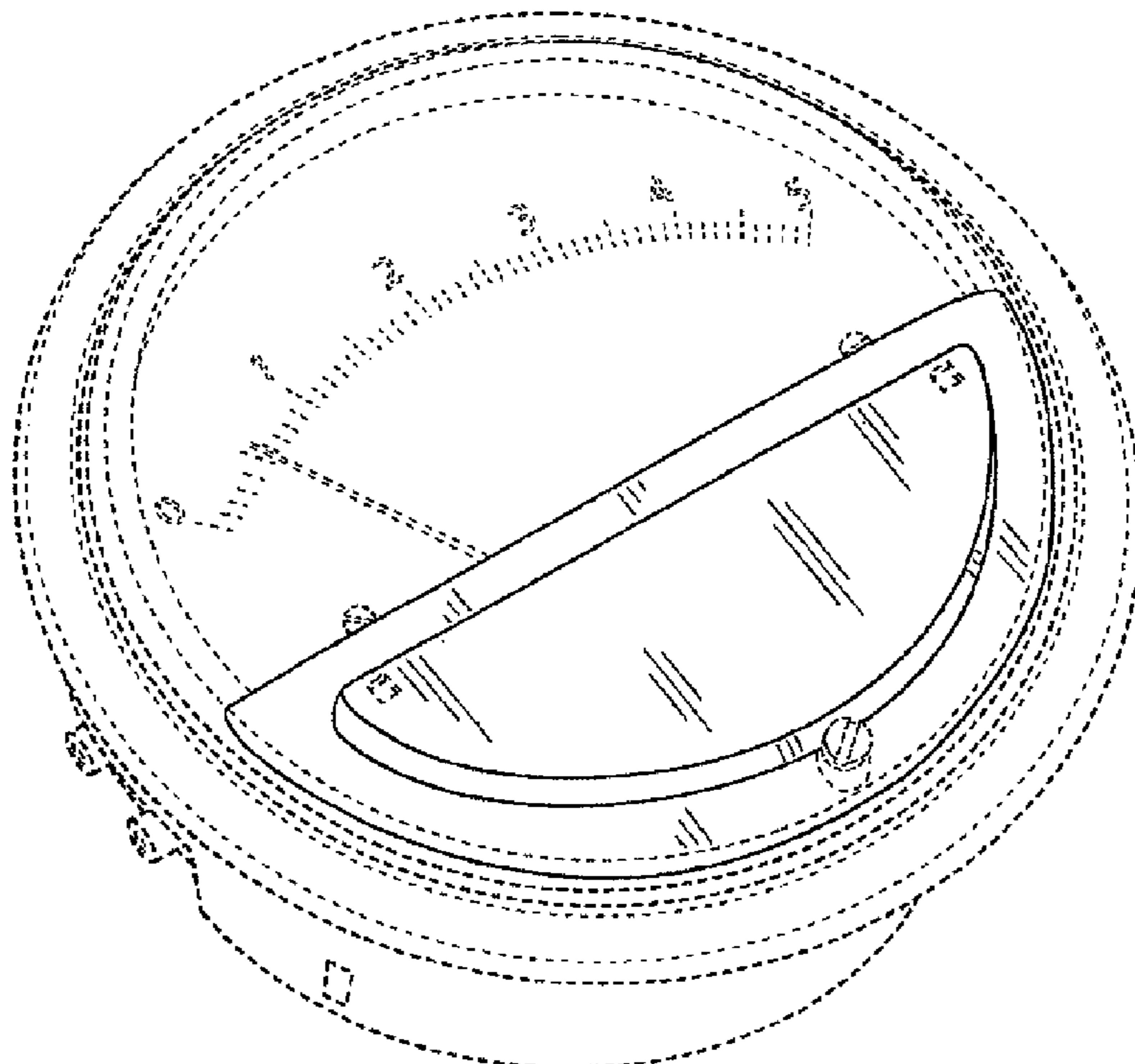
FIG. 5 is a left side view of the gage;

FIG. 6 is a top view of the gage; and,

FIG. 7 is a bottom view of the gage.

The broken line showing of structural features is included for the purpose of illustrating non-claimed subject matter and forms no part of the claimed design.

**1 Claim, 3 Drawing Sheets**



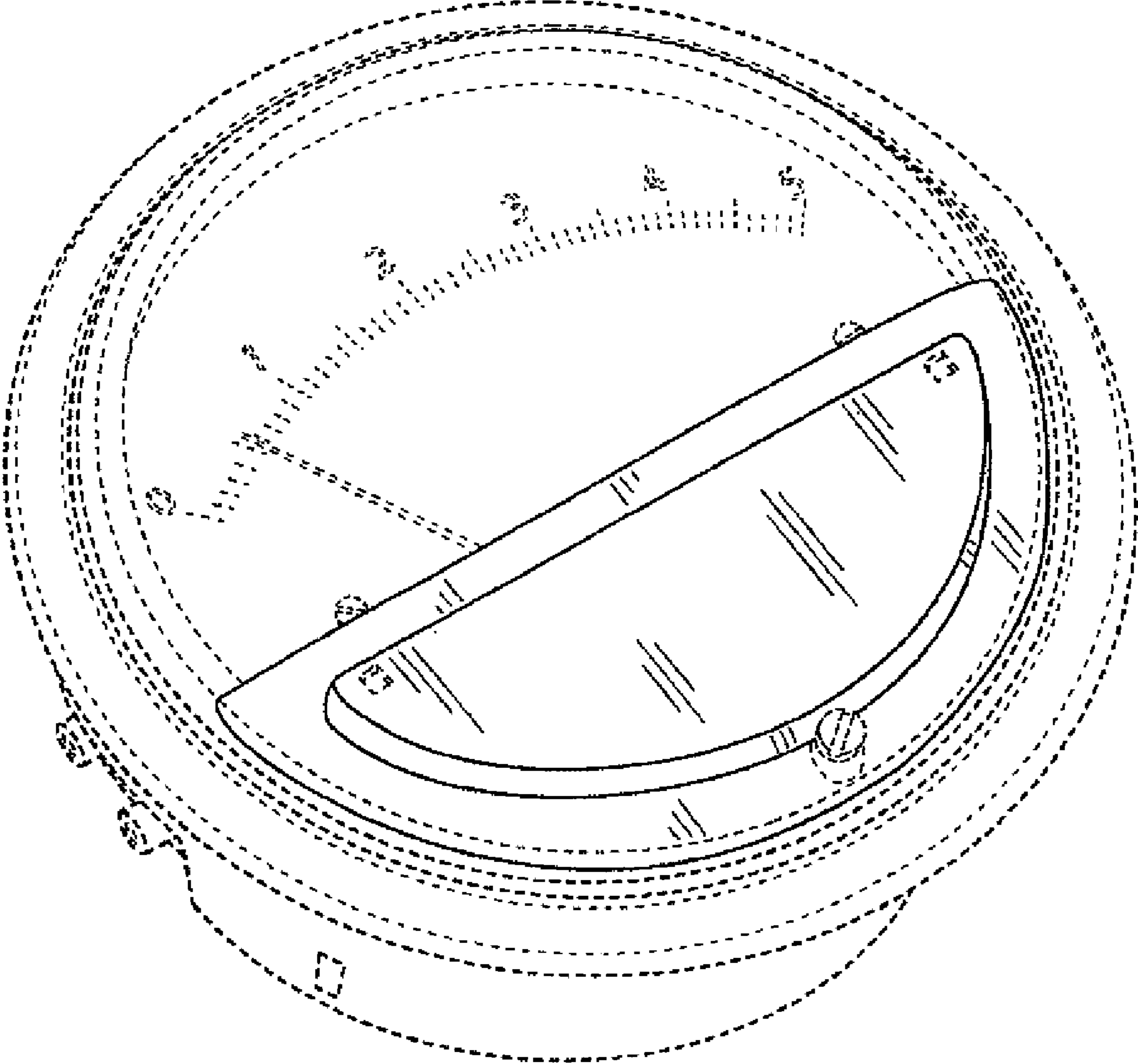


FIG. 1

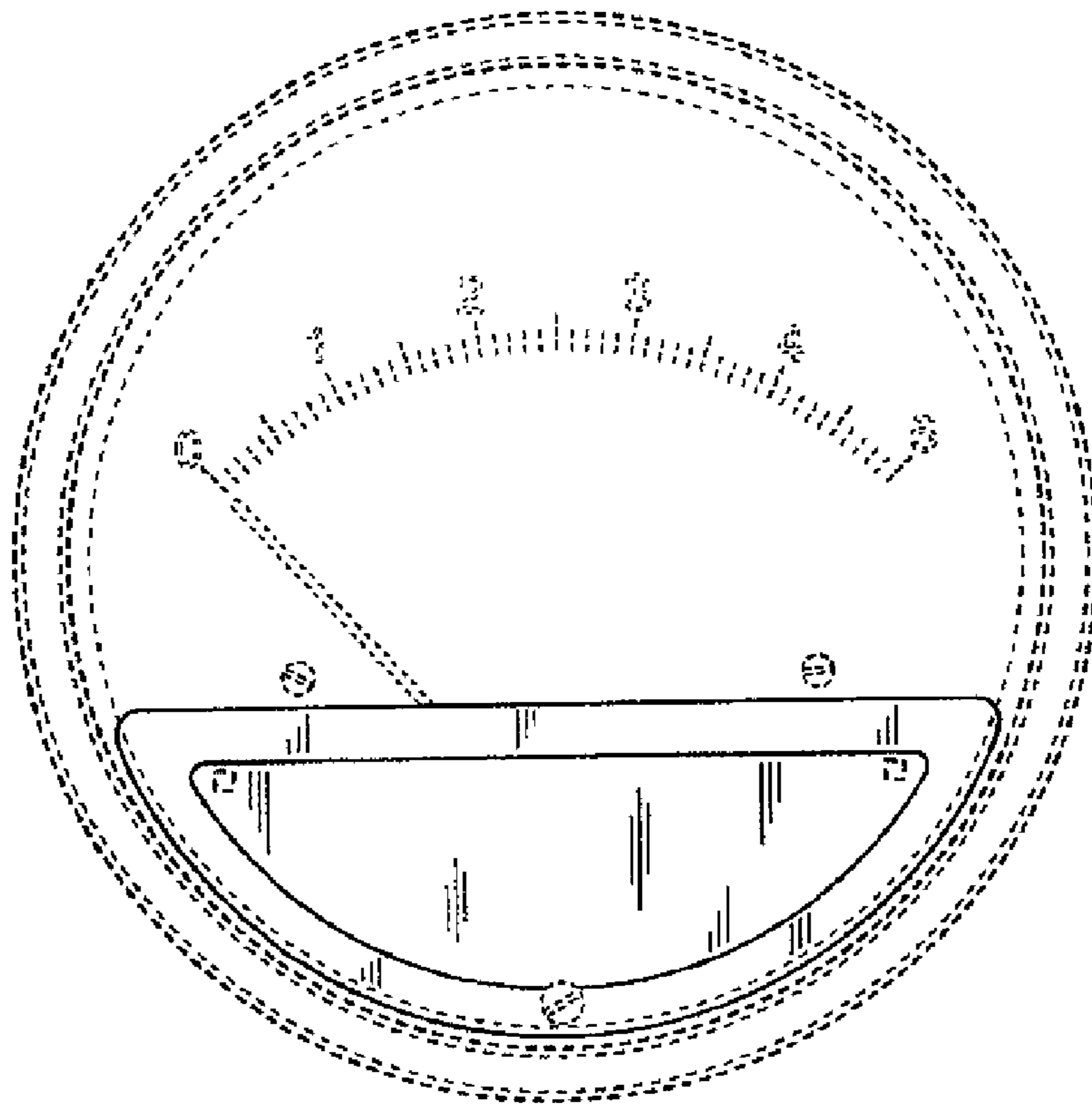


FIG. 2

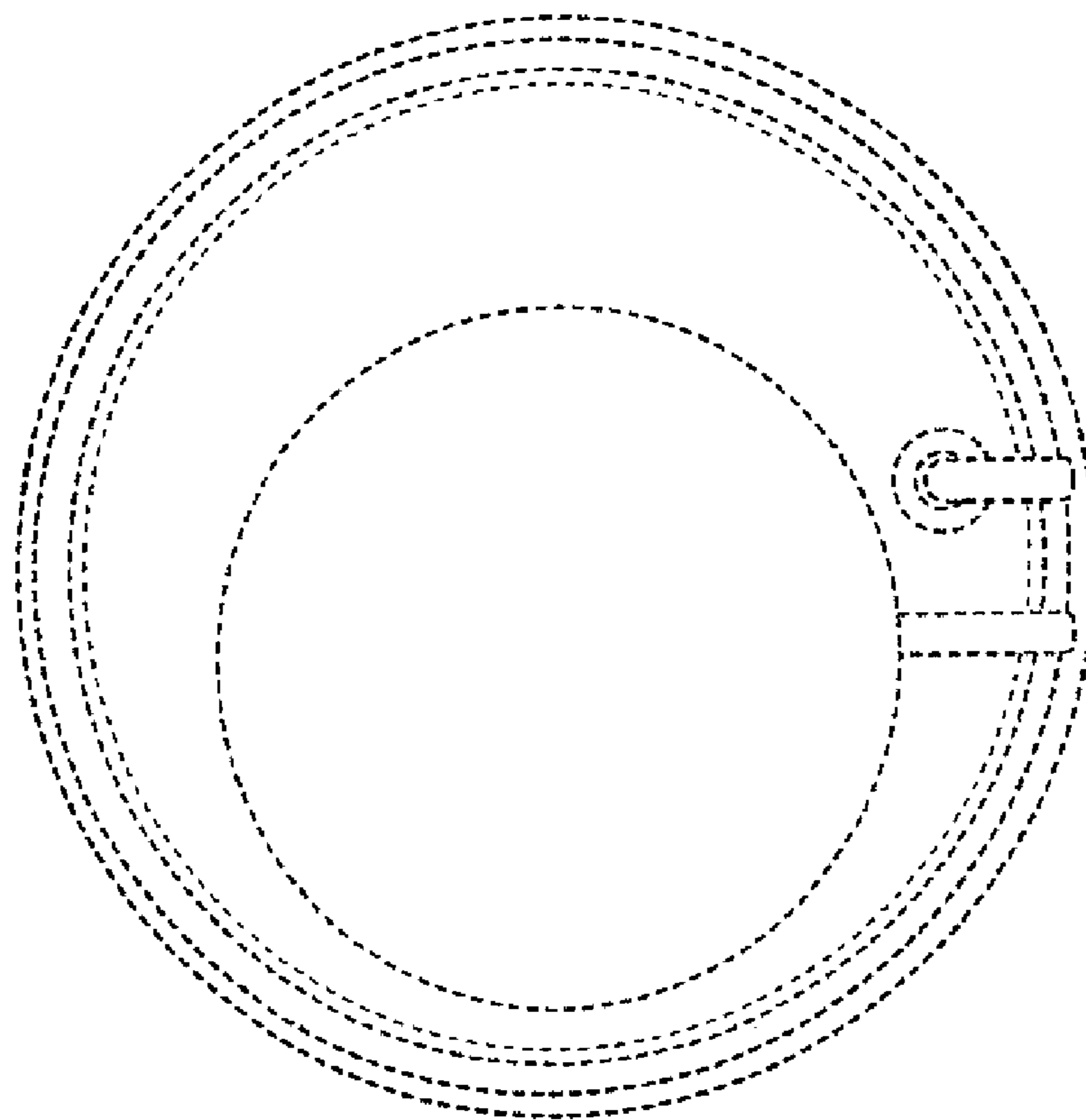


FIG. 3

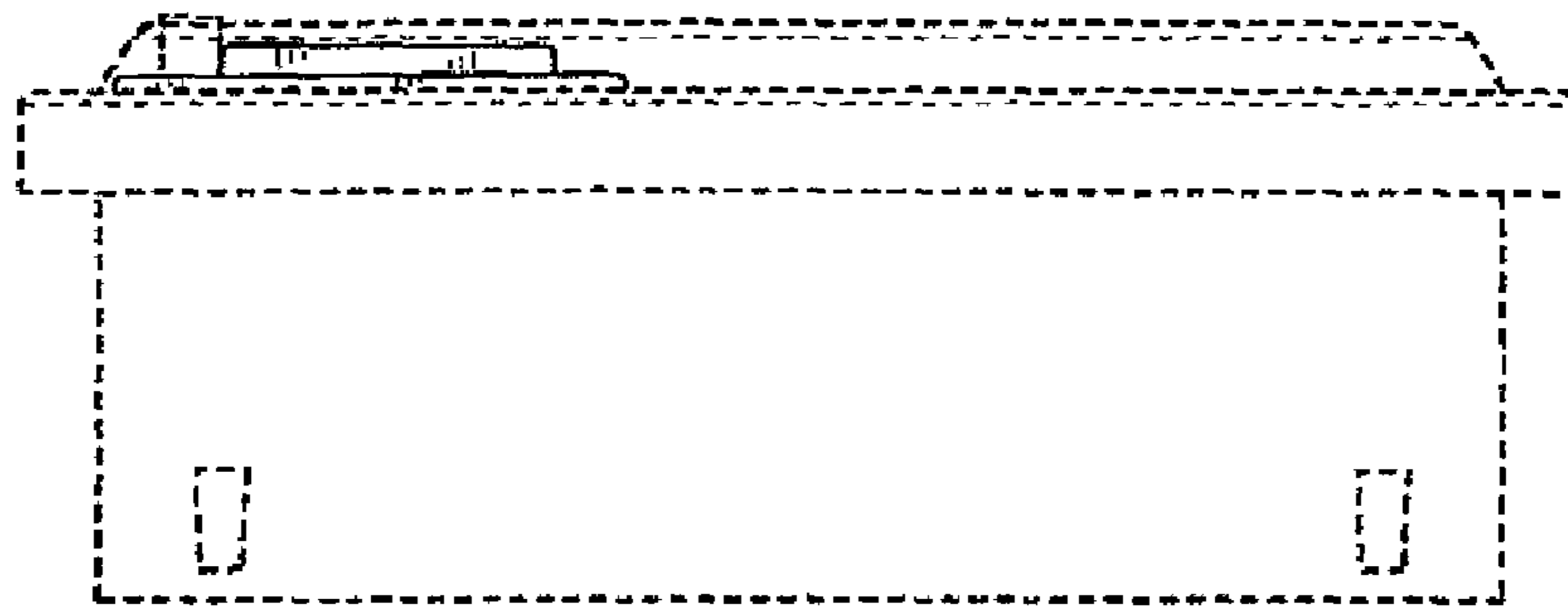


FIG. 4

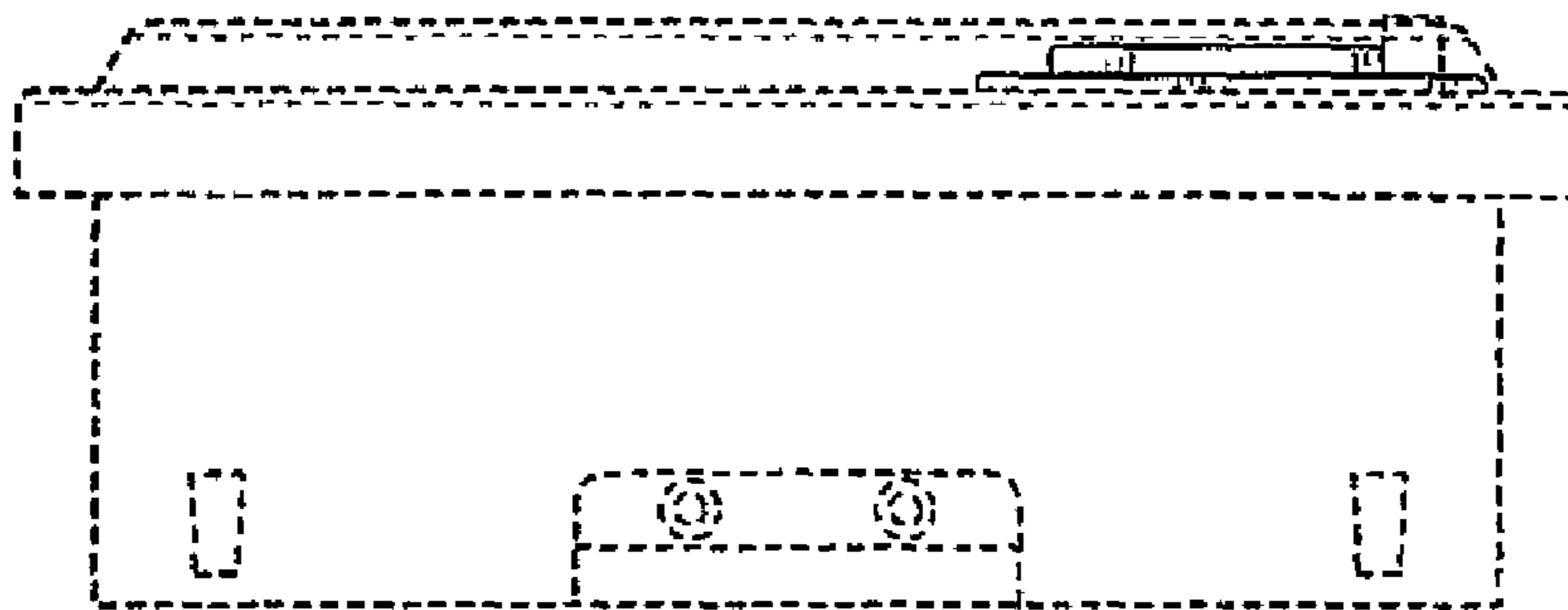


FIG. 5

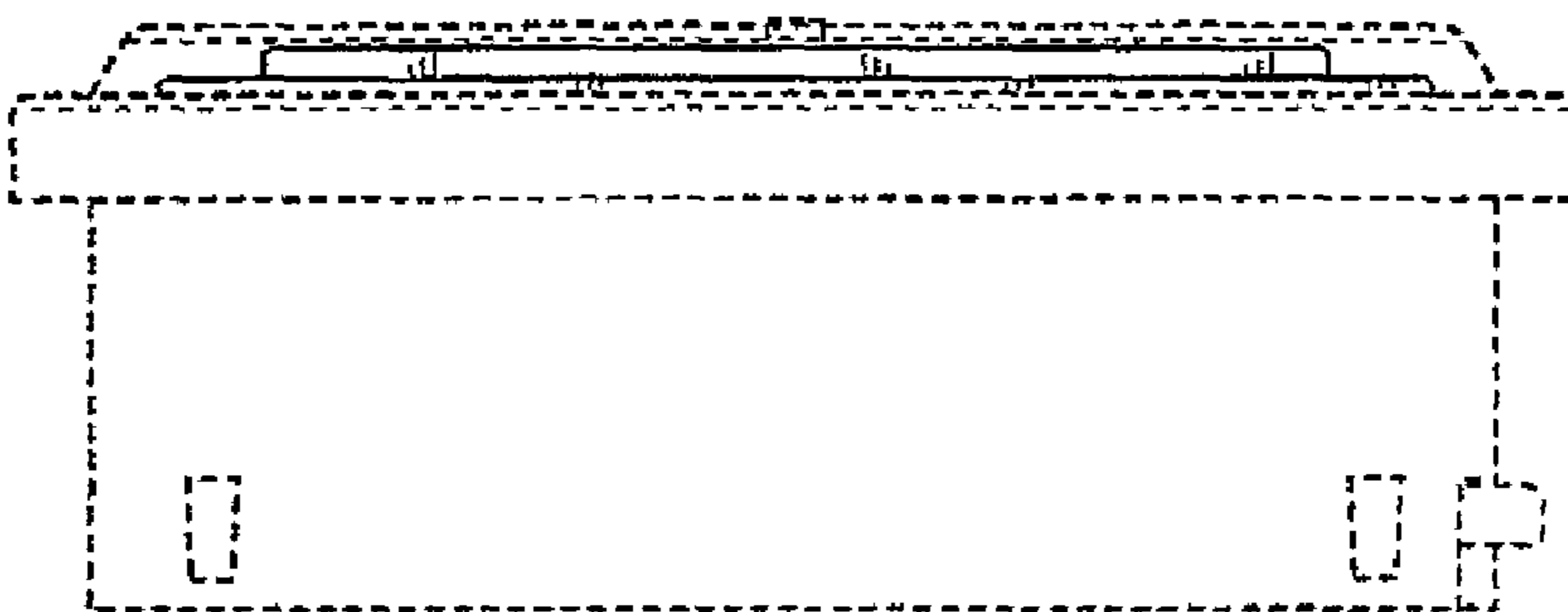


FIG. 6

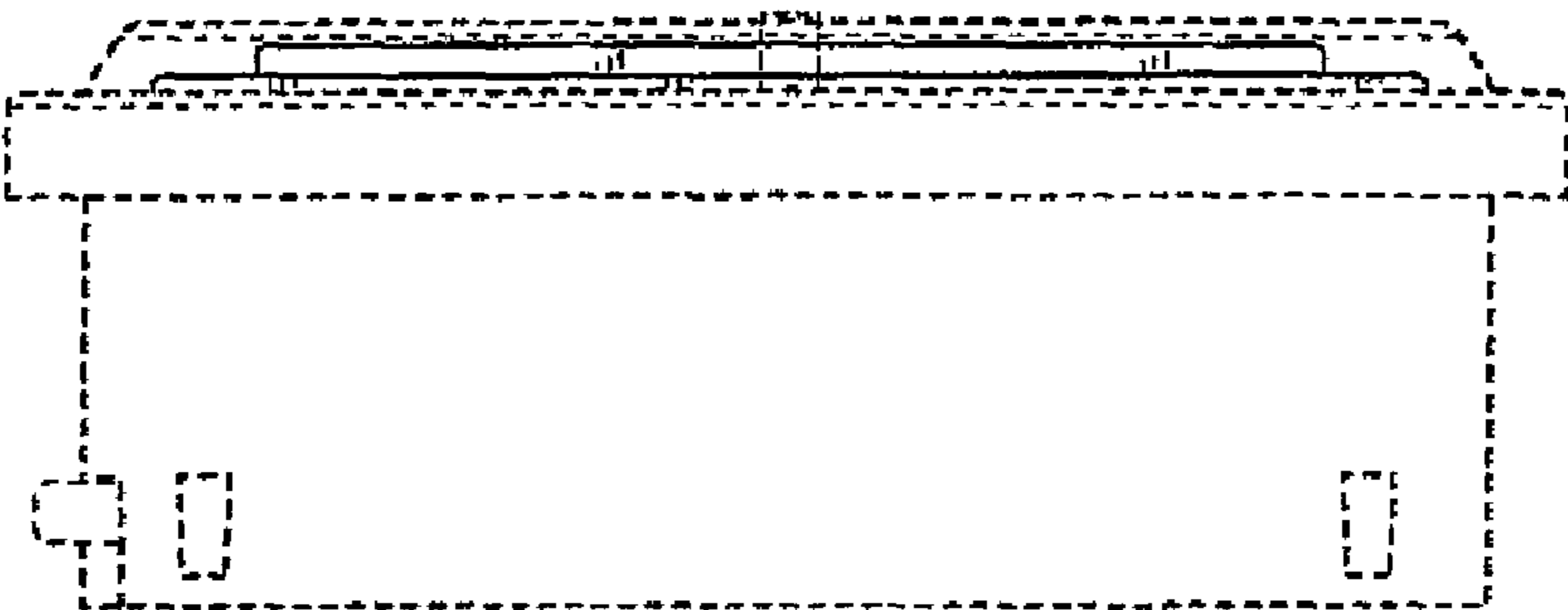


FIG. 7