



US00D629707S

(12) **United States Design Patent**
Young

(10) **Patent No.:** **US D629,707 S**

(45) **Date of Patent:** **** Dec. 28, 2010**

(54) **BATTERY TESTING APPARATUS**

(76) Inventor: **Robby Dale Young**, 72624 El Paseo
Suite B, Palm Desert, CA (US) 92260

(**) Term: **14 Years**

(21) Appl. No.: **29/356,472**

(22) Filed: **Feb. 25, 2010**

(51) **LOC (9) Cl.** **10-04**

(52) **U.S. Cl.** **D10/77**

(58) **Field of Classification Search** D10/77-78;
320/132, 134, 136, DIG. 18, 21; 324/426;
340/635-636.2; 381/60, 323

See application file for complete search history.

(56) **References Cited**

U.S. PATENT DOCUMENTS

D302,074 S *	7/1989	Halasz	D10/77
D363,672 S *	10/1995	Yuen	D10/78
2010/0060467 A1 *	3/2010	Kofford	340/636.15

* cited by examiner

Primary Examiner—Antoine D Davis
(74) *Attorney, Agent, or Firm*—J. Curtis Edmondson

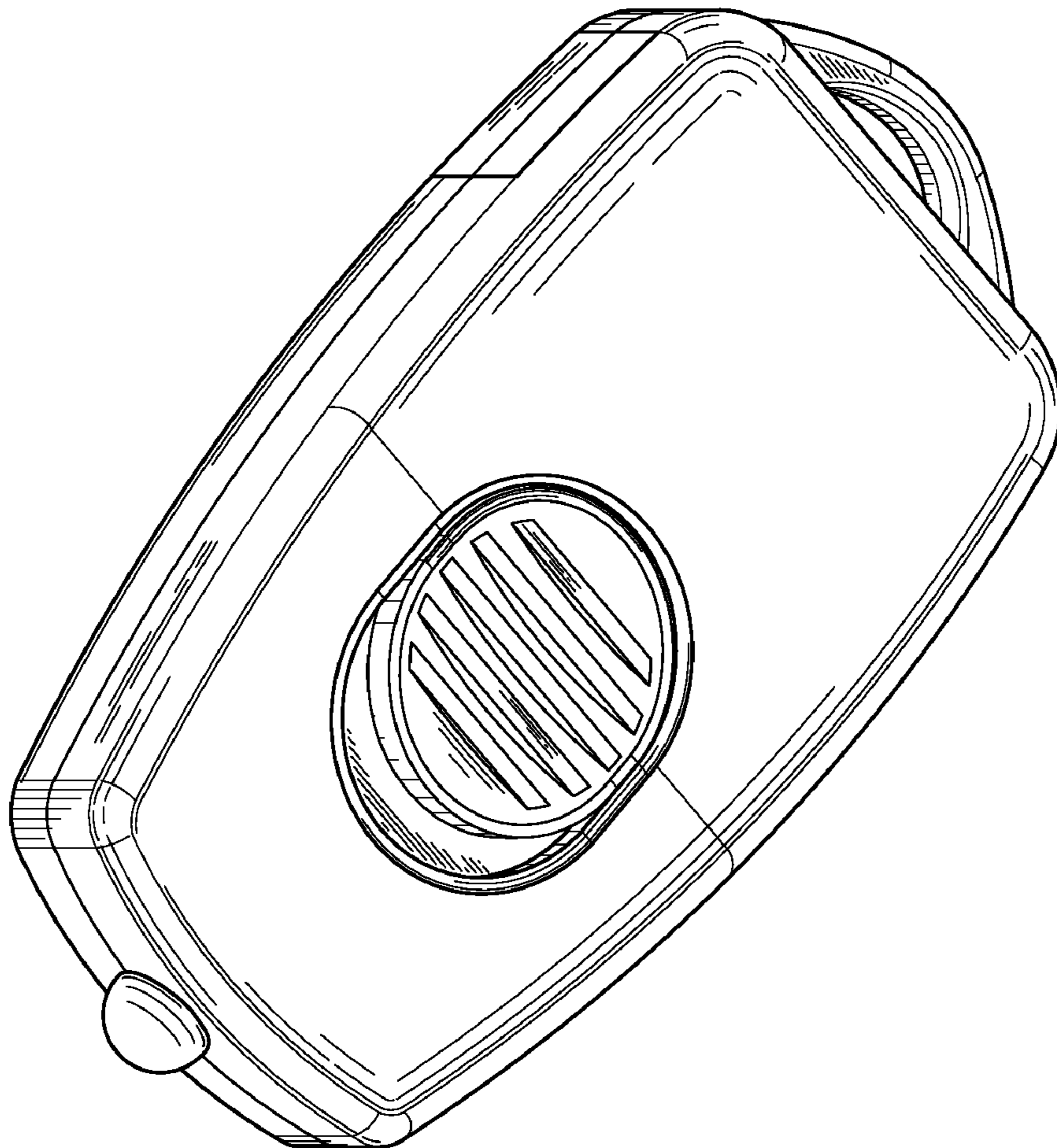
(57) **CLAIM**

I claim the ornamental design for the battery testing apparatus, as shown and described.

DESCRIPTION

FIG. 1 is a top front perspective view of the battery testing apparatus;
FIG. 2 is a top rear perspective view thereof;
FIG. 3 is a front view thereof;
FIG. 4 is a rear view thereof;
FIG. 5 is a front side view thereof;
FIG. 6 is a rear side view thereof;
FIG. 7 is a top view thereof; and,
FIG. 8 is a bottom view thereof.

1 Claim, 7 Drawing Sheets



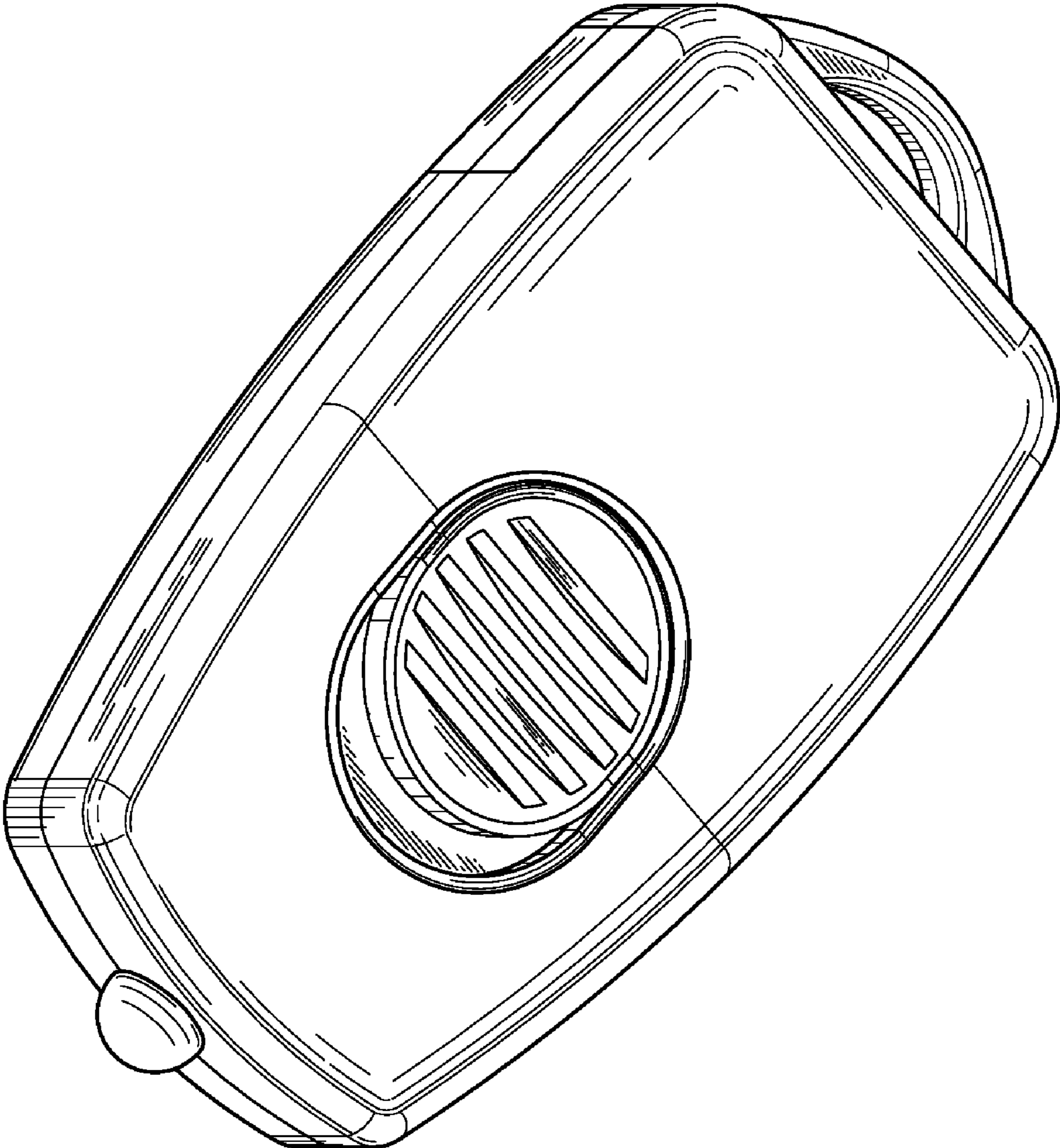


FIG.1

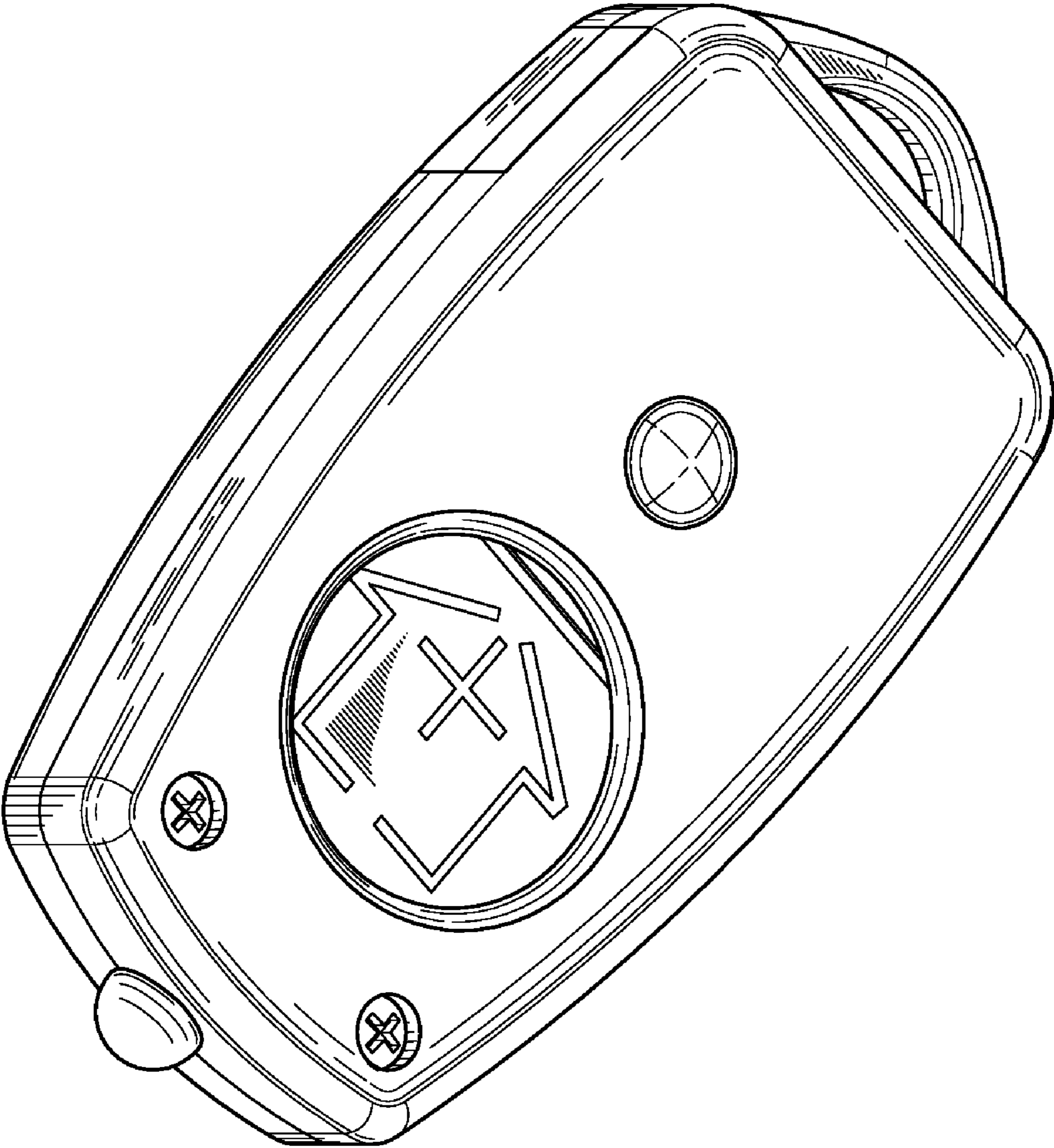


FIG.2

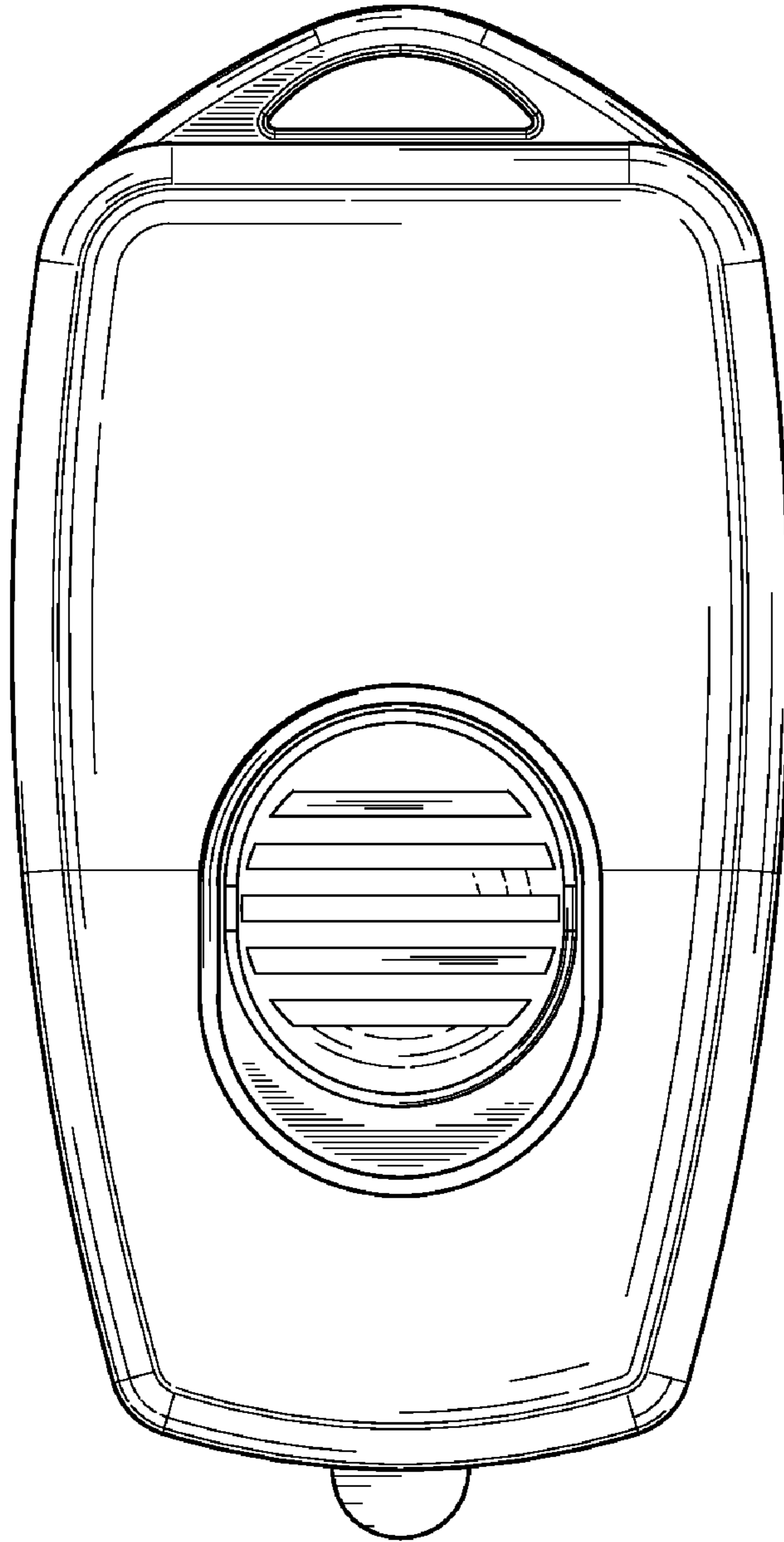


FIG.3

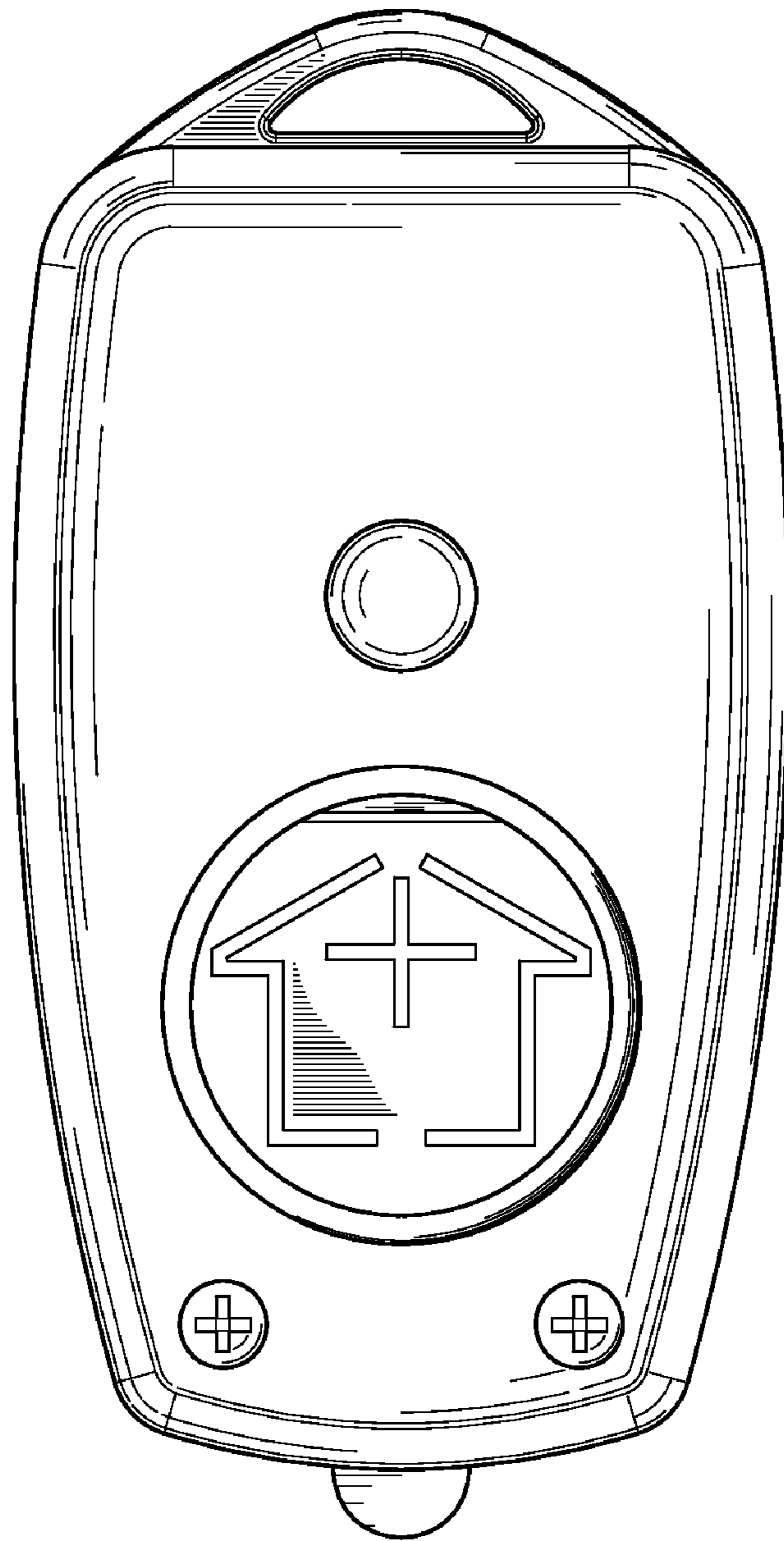


FIG.4



FIG.5



FIG.6

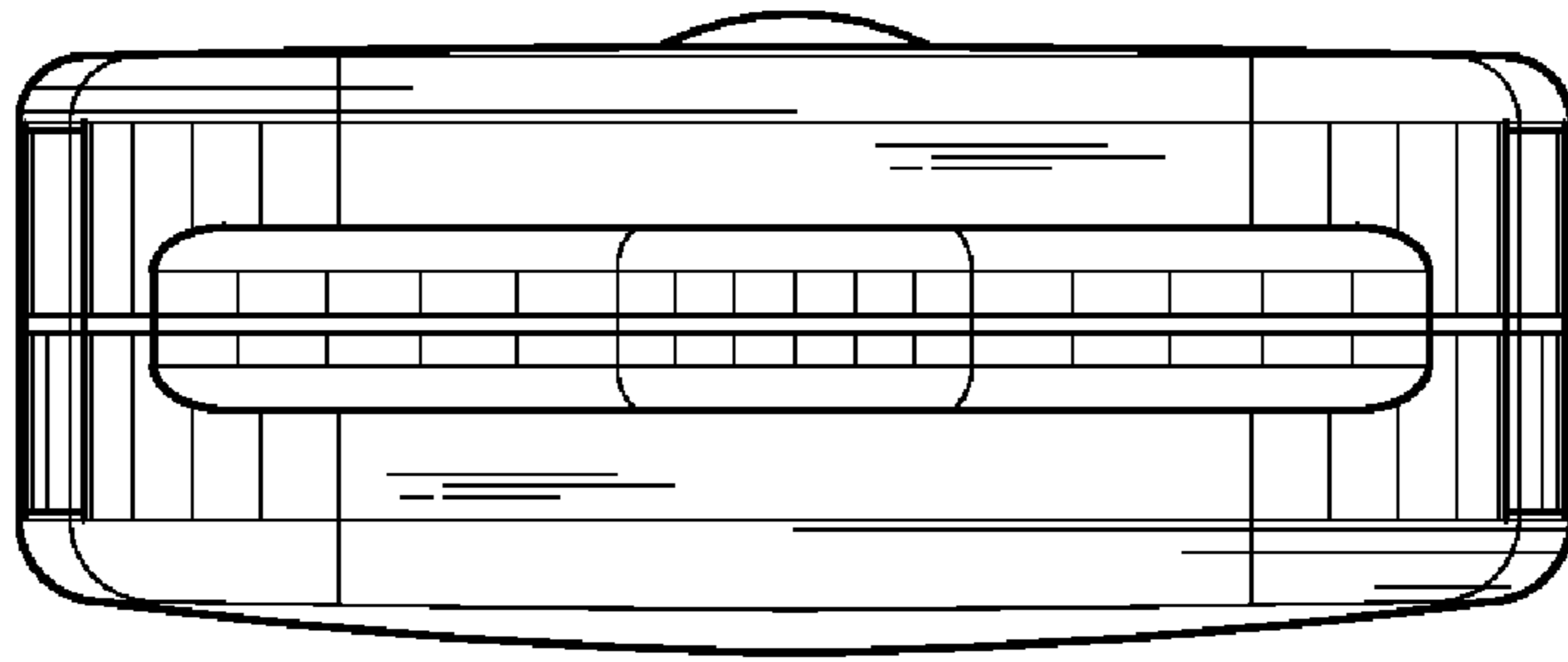


FIG. 7

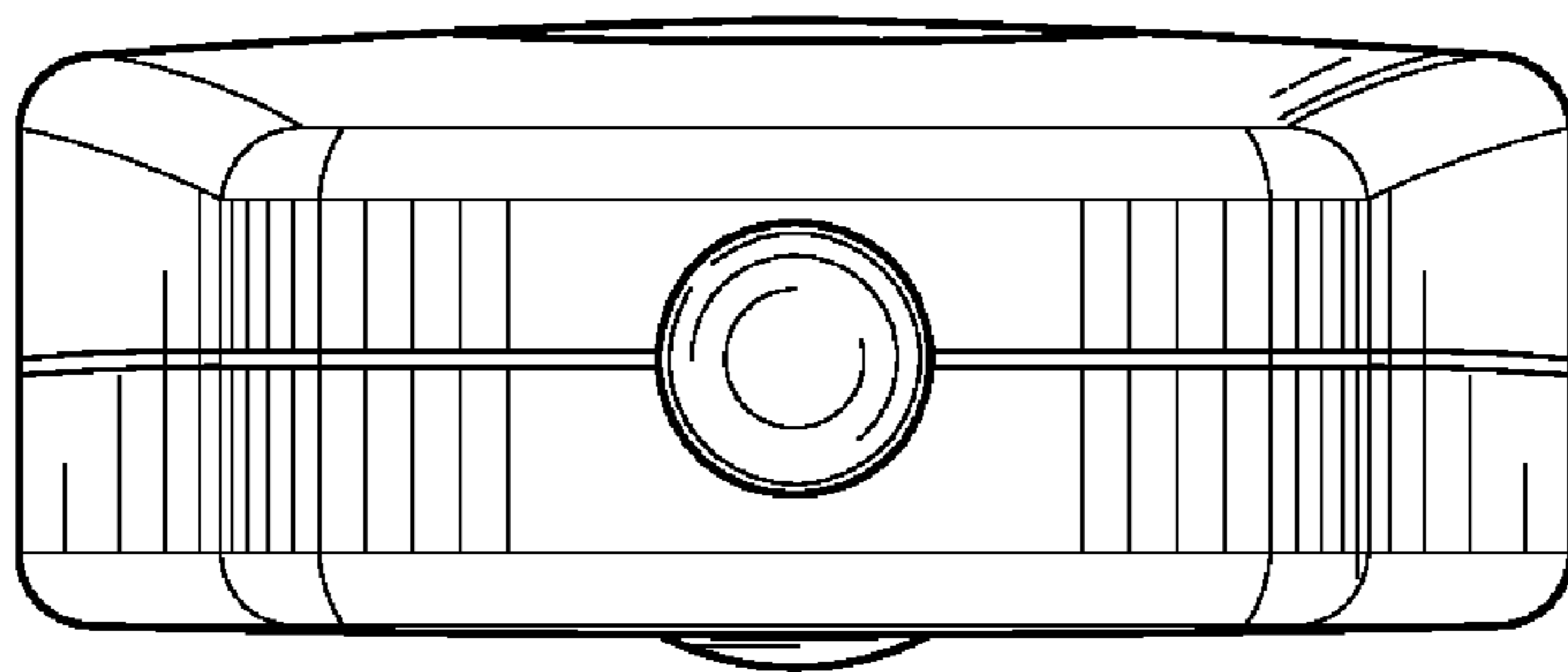


FIG. 8