



US00D629703S

(12) **United States Design Patent**
Giannini

(10) **Patent No.:** **US D629,703 S**
(45) **Date of Patent:** **** Dec. 28, 2010**

(54) **WRISTWATCH**

(75) Inventor: **Frida Giannini**, Florence (IT)

(73) Assignee: **Luxury Timepieces International SA**,
Cortailod (CH)

(**) Term: **14 Years**

(21) Appl. No.: **29/364,242**

(22) Filed: **Jun. 21, 2010**

(30) **Foreign Application Priority Data**

Feb. 9, 2010 (CH) 136683

(51) **LOC (9) Cl.** **10-02**

(52) **U.S. Cl.** **D10/32**

(58) **Field of Classification Search** D10/30-39,
D10/122-132; 368/276, 281, 282, 285; D11/3,
D11/12

See application file for complete search history.

(56) **References Cited**

U.S. PATENT DOCUMENTS

- D260,615 S * 9/1981 Maroni D10/32
- 4,706,857 A * 11/1987 Aellen et al. 224/164
- D299,117 S * 12/1988 Maroni D10/32
- D314,153 S * 1/1991 Ratajski D10/32
- D324,828 S * 3/1992 Wunderman D10/32
- D340,650 S * 10/1993 Iwamura D10/32
- D353,544 S * 12/1994 Reich D10/32

- D371,745 S * 7/1996 Wunderman D10/32
- D497,111 S * 10/2004 Modolo D10/32
- D510,037 S * 9/2005 Modolo D10/32
- D510,282 S * 10/2005 Modolo D10/32
- D518,741 S * 4/2006 Modolo D10/32
- D519,854 S * 5/2006 Modolo D10/32
- D532,319 S * 11/2006 Bedat D10/32
- D535,200 S * 1/2007 Modolo D10/32
- D610,472 S * 2/2010 Nashimoto D10/32

* cited by examiner

Primary Examiner—Lucy Lieberman

(74) *Attorney, Agent, or Firm*—Oblon, Spivak, McClelland,
Maier & Neustadt, L.L.P.

(57) **CLAIM**

The ornamental design for a wristwatch, as shown and described.

DESCRIPTION

FIG. 1 is a front and right side perspective view of a wristwatch;

FIG. 2 is a front elevational view thereof;

FIG. 3 is a rear elevational view thereof;

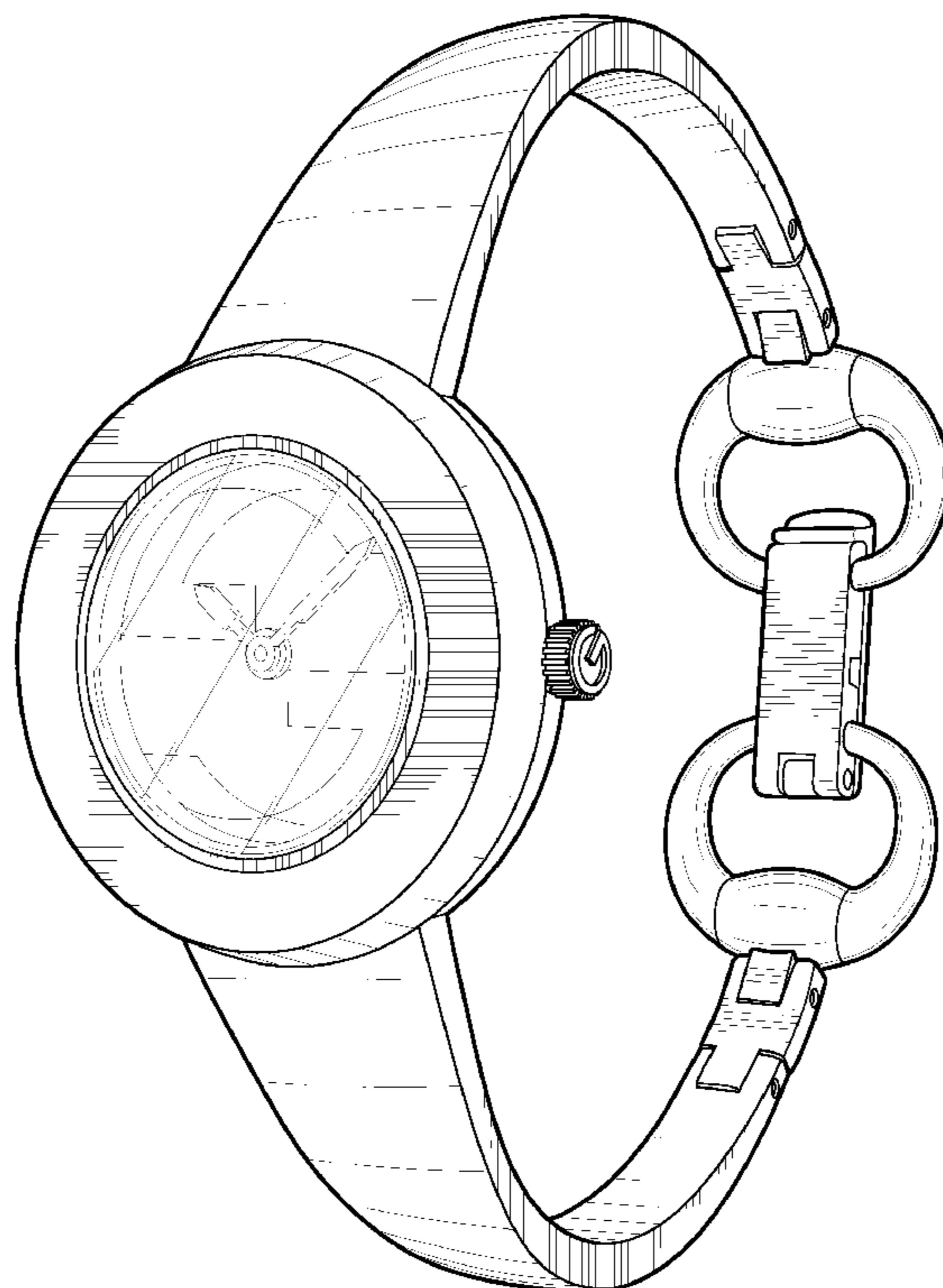
FIG. 4 is a right side elevational view thereof;

FIG. 5 is a left side elevational view thereof;

FIG. 6 is a bottom plan view thereof; and,

FIG. 7 is a top plan view thereof.

1 Claim, 7 Drawing Sheets



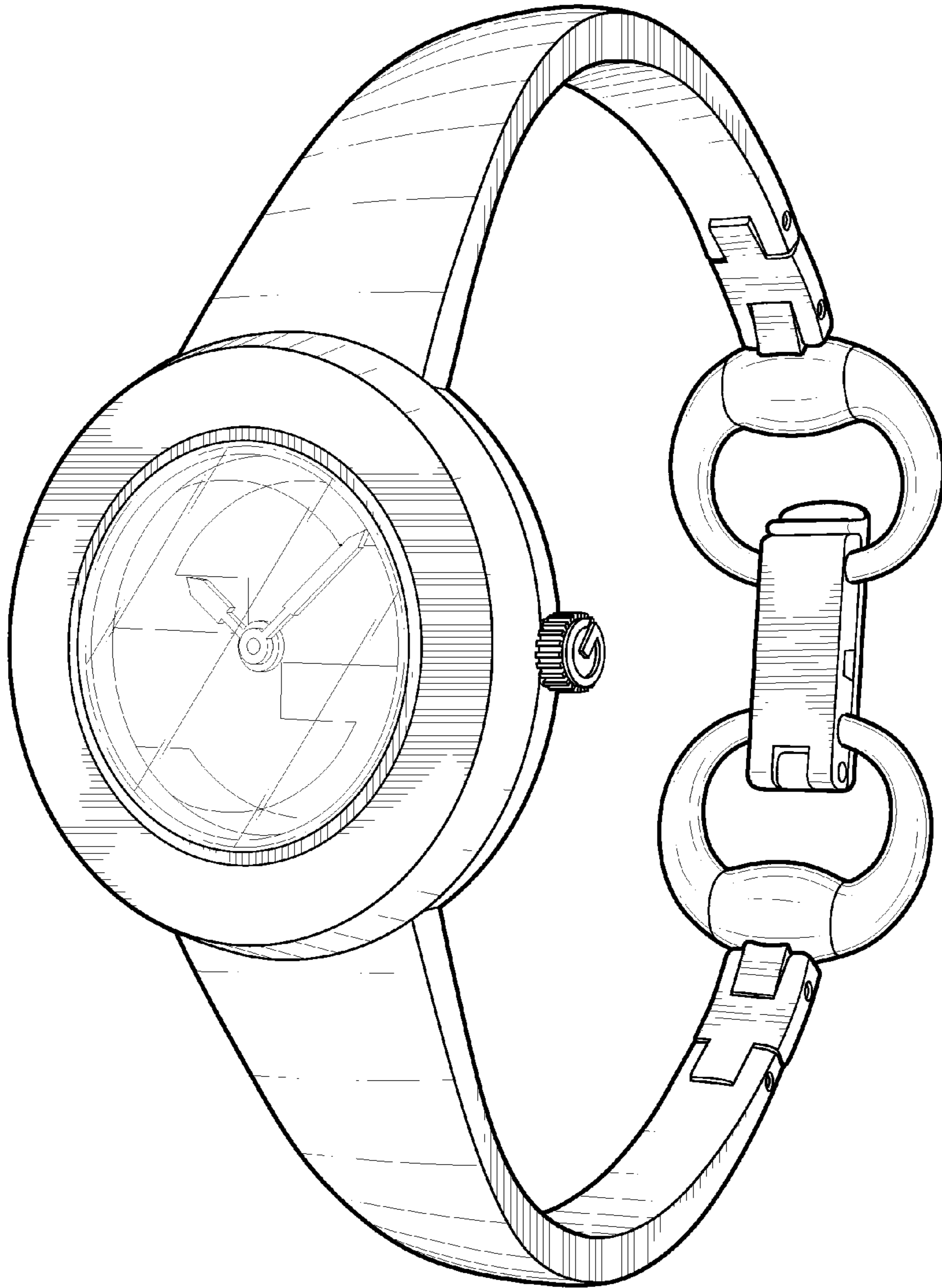


FIG.1

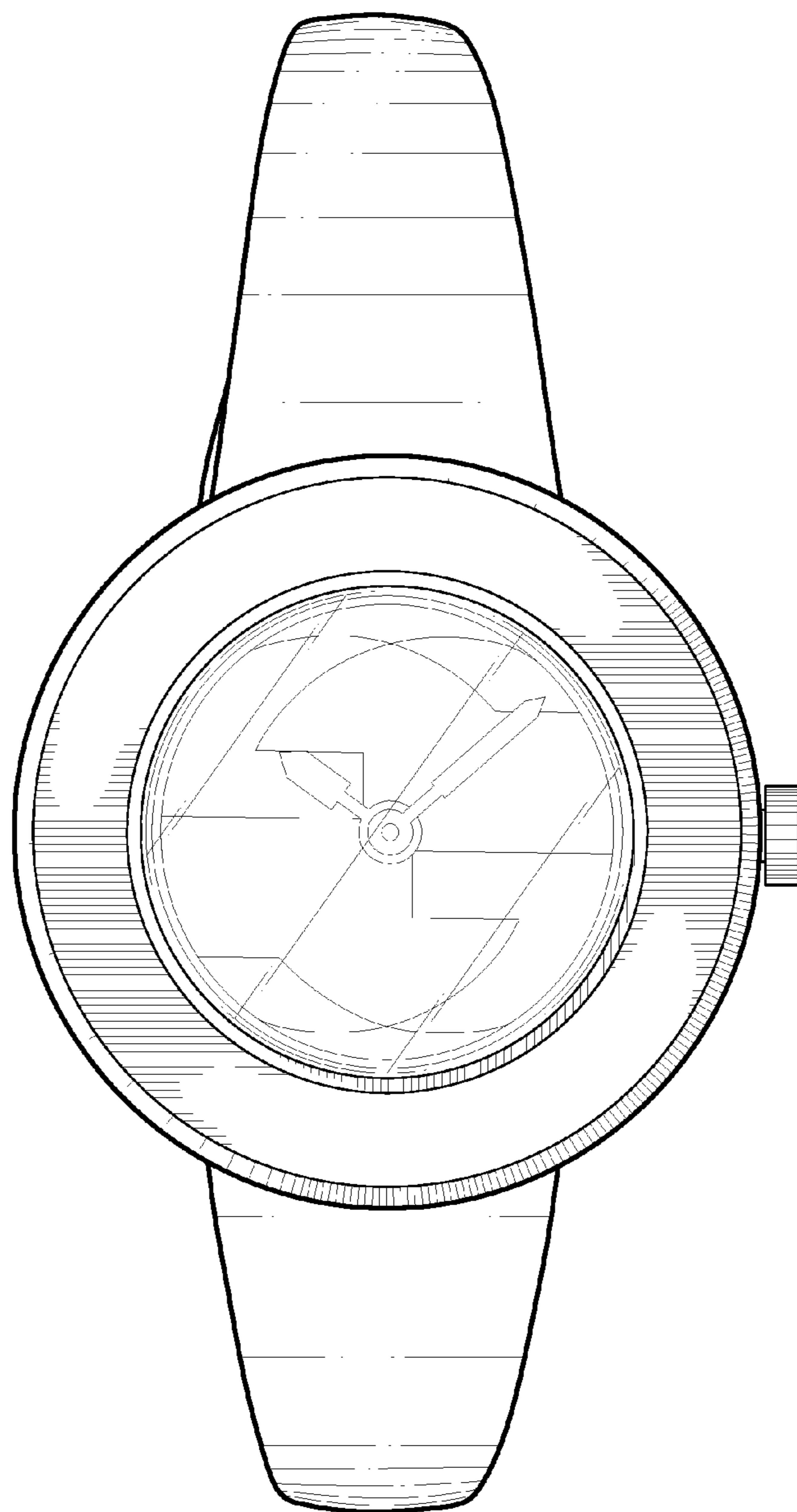


FIG.2

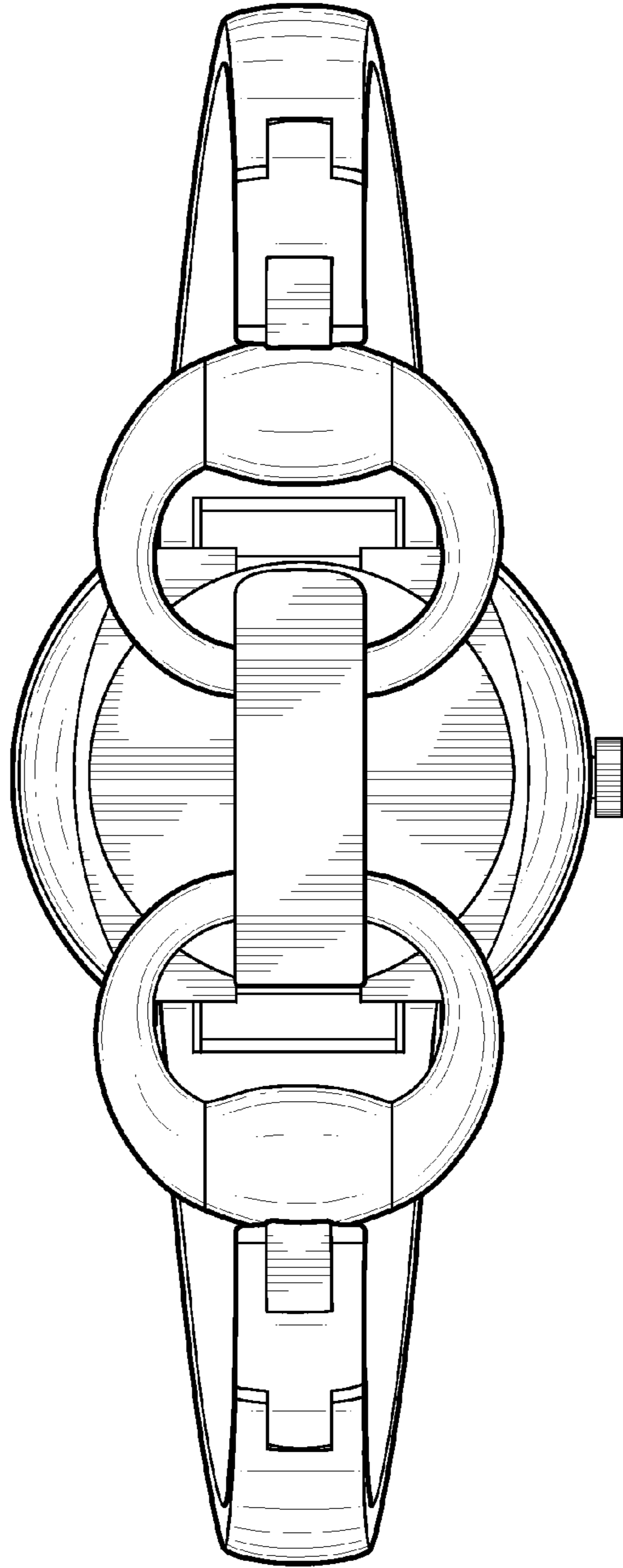


FIG.3

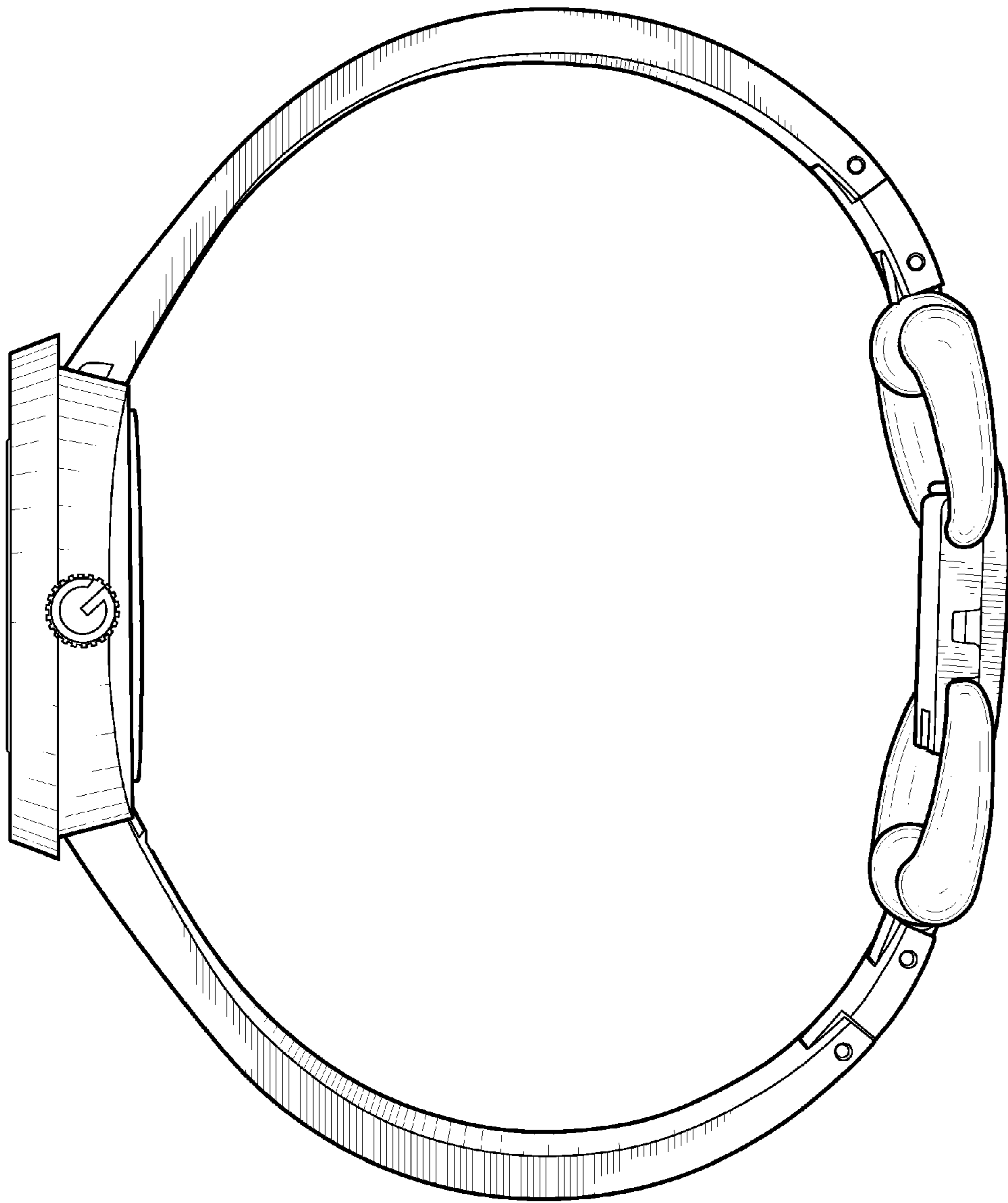


FIG.4

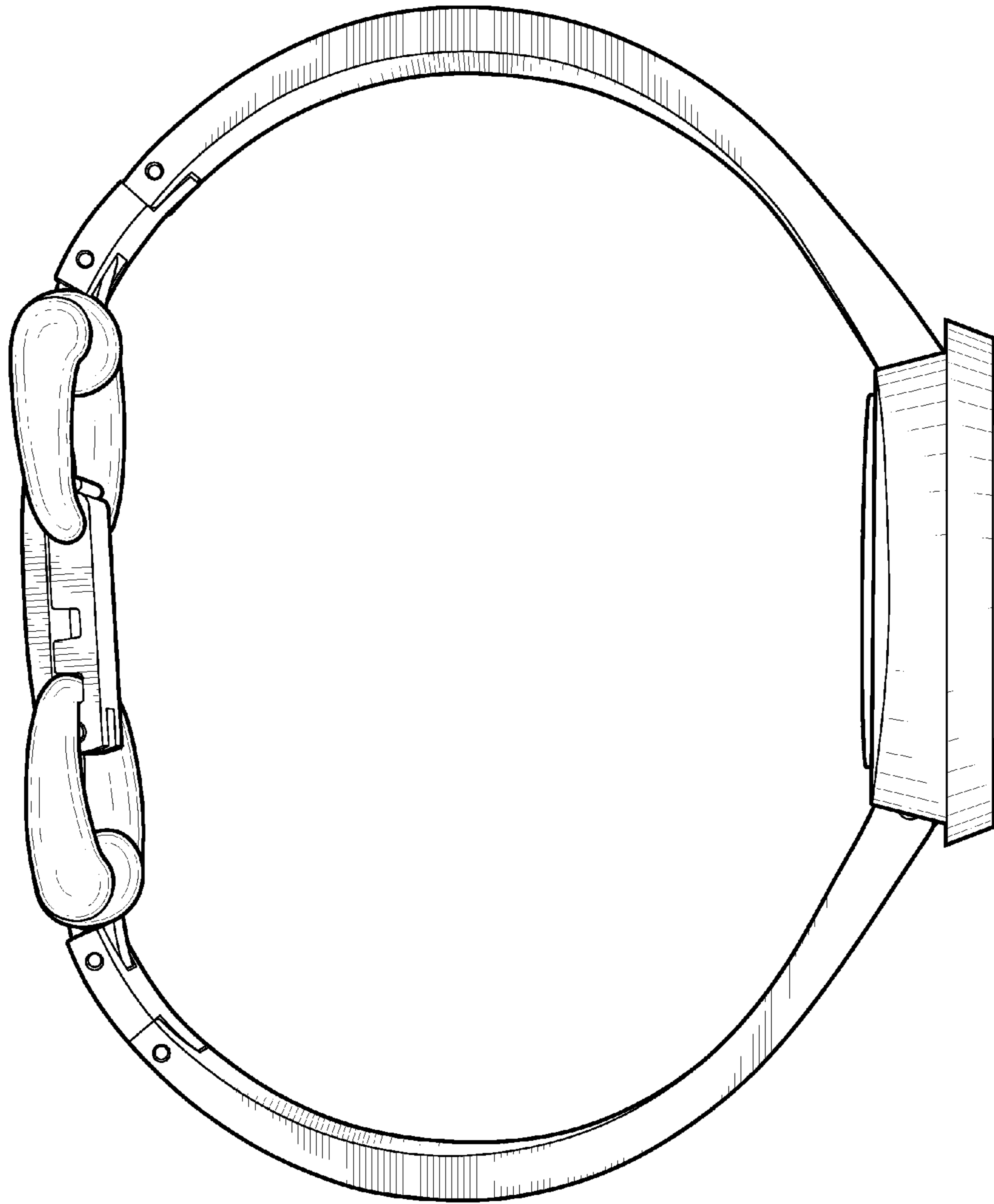


FIG.5

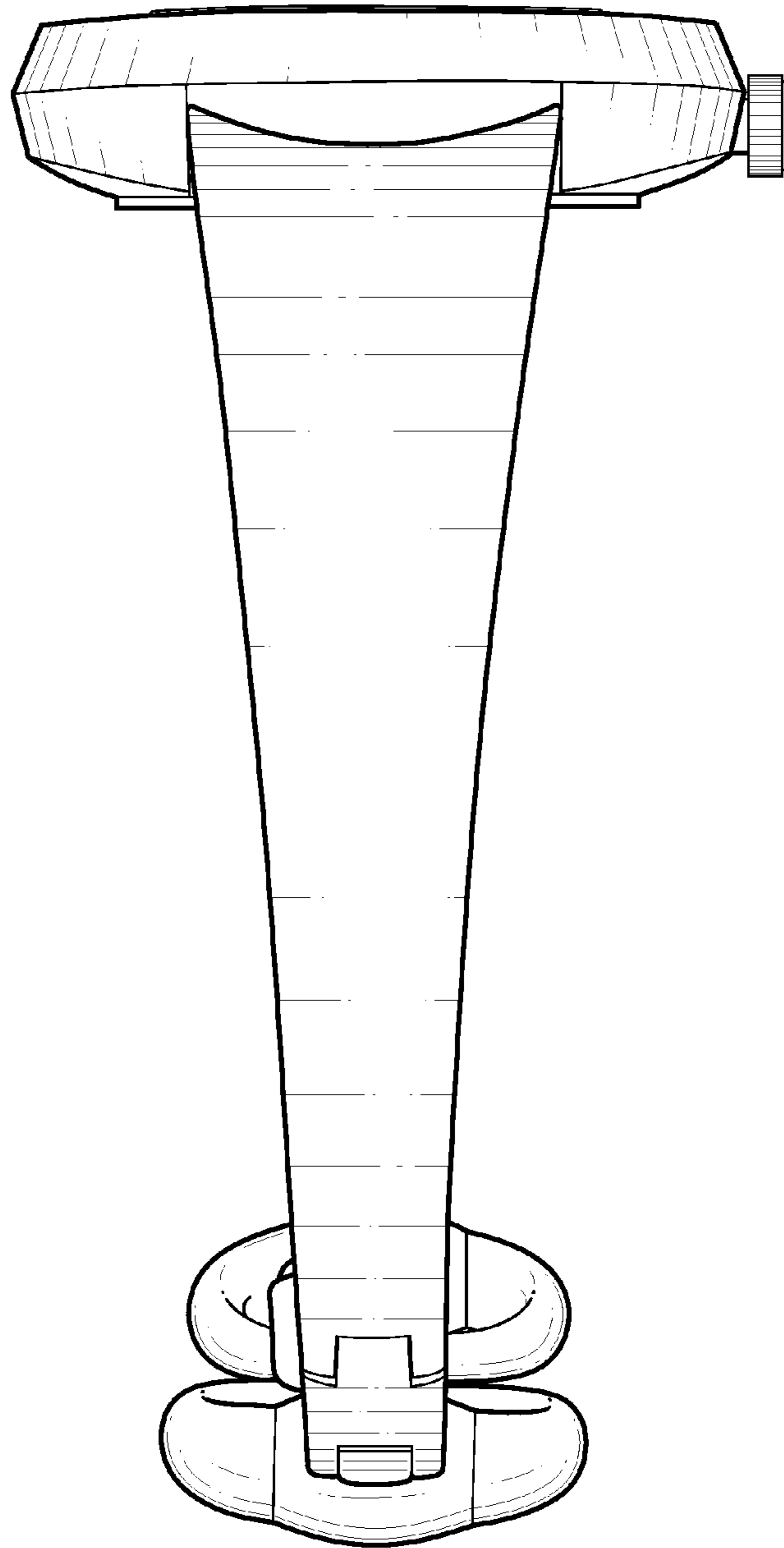


FIG. 6

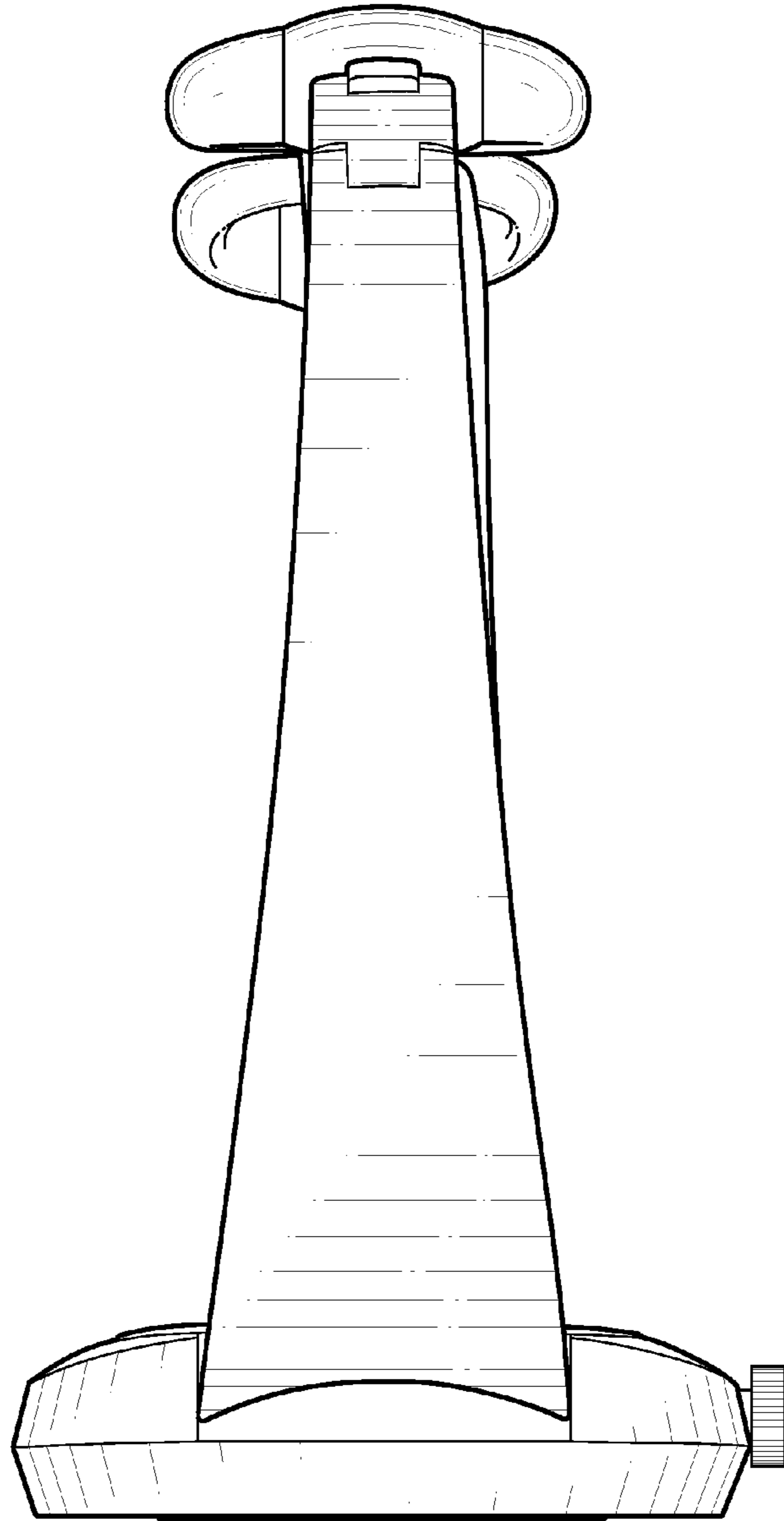


FIG. 7