



US00D629701S

(12) **United States Design Patent**
Eissner

(10) **Patent No.:** **US D629,701 S**

(45) **Date of Patent:** **** Dec. 28, 2010**

(54) **DISPENSING PACKAGE**

(75) Inventor: **Philipp Eissner**, Hamburg (DE)

(73) Assignee: **PacProject GmbH a German Company**, Hamburg (DE)

(**) Term: **14 Years**

(21) Appl. No.: **29/339,027**

(22) Filed: **Jun. 23, 2009**

(30) **Foreign Application Priority Data**

Dec. 23, 2008 (EM) 001062129-0005

(51) **LOC (9) Cl.** **09-01**

(52) **U.S. Cl.** **D9/733**

(58) **Field of Classification Search** D9/414,
D9/417, 418, 430, 432, 434, 730, 733, 734;
221/155, 185, 302, 305; 229/221; 206/427;
D6/35, 41, 43, 45, 51, 57, 65, 66, 70, 512,
D6/515, 517; D19/65, 67

See application file for complete search history.

(56) **References Cited**

U.S. PATENT DOCUMENTS

1,292,463 A * 1/1919 Hayashi 221/102
1,714,469 A * 5/1929 Hoffman 312/45
D321,647 S * 11/1991 Oldorf D9/734
D333,781 S * 3/1993 Kobel D9/734

D397,265 S * 8/1998 Badillo D6/520
D475,227 S * 6/2003 Clarke D6/520
D508,849 S * 8/2005 Kumakura et al. D9/430
D537,734 S * 3/2007 Wolpow D9/733
D586,234 S * 2/2009 Lamoury D9/733
D605,442 S * 12/2009 Elhalwani D6/515

* cited by examiner

Primary Examiner—Thomas J Johannes

(74) *Attorney, Agent, or Firm*—Barlow, Josephs & Holmes, Ltd.

(57) **CLAIM**

The ornamental design for a dispensing package, as shown and described.

DESCRIPTION

FIG. 1 is a front perspective view of a dispensing package showing my new design in a pre-assembled condition;

FIG. 2 is a front perspective view thereof, in an intermediate assembly condition revealing additional components of the design;

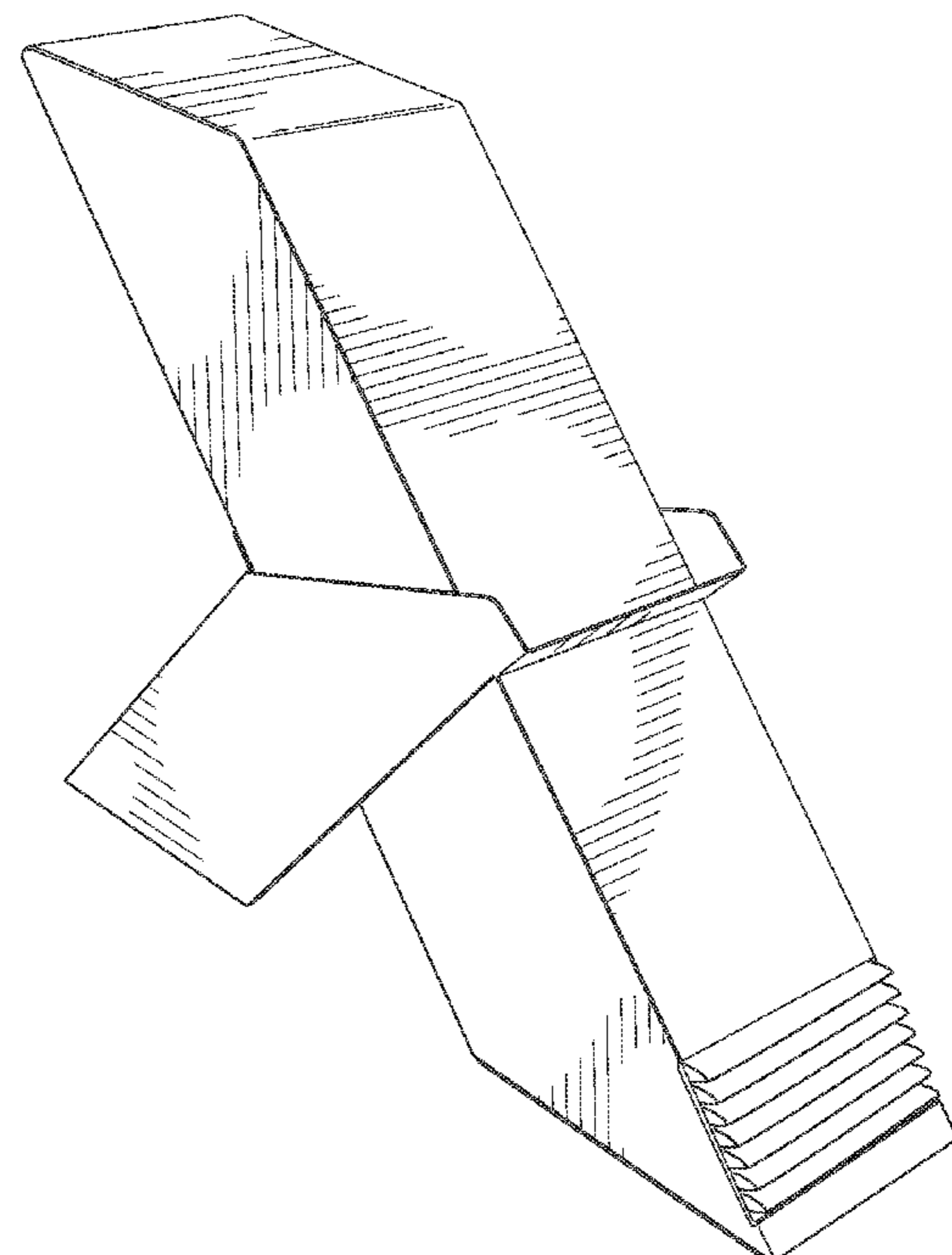
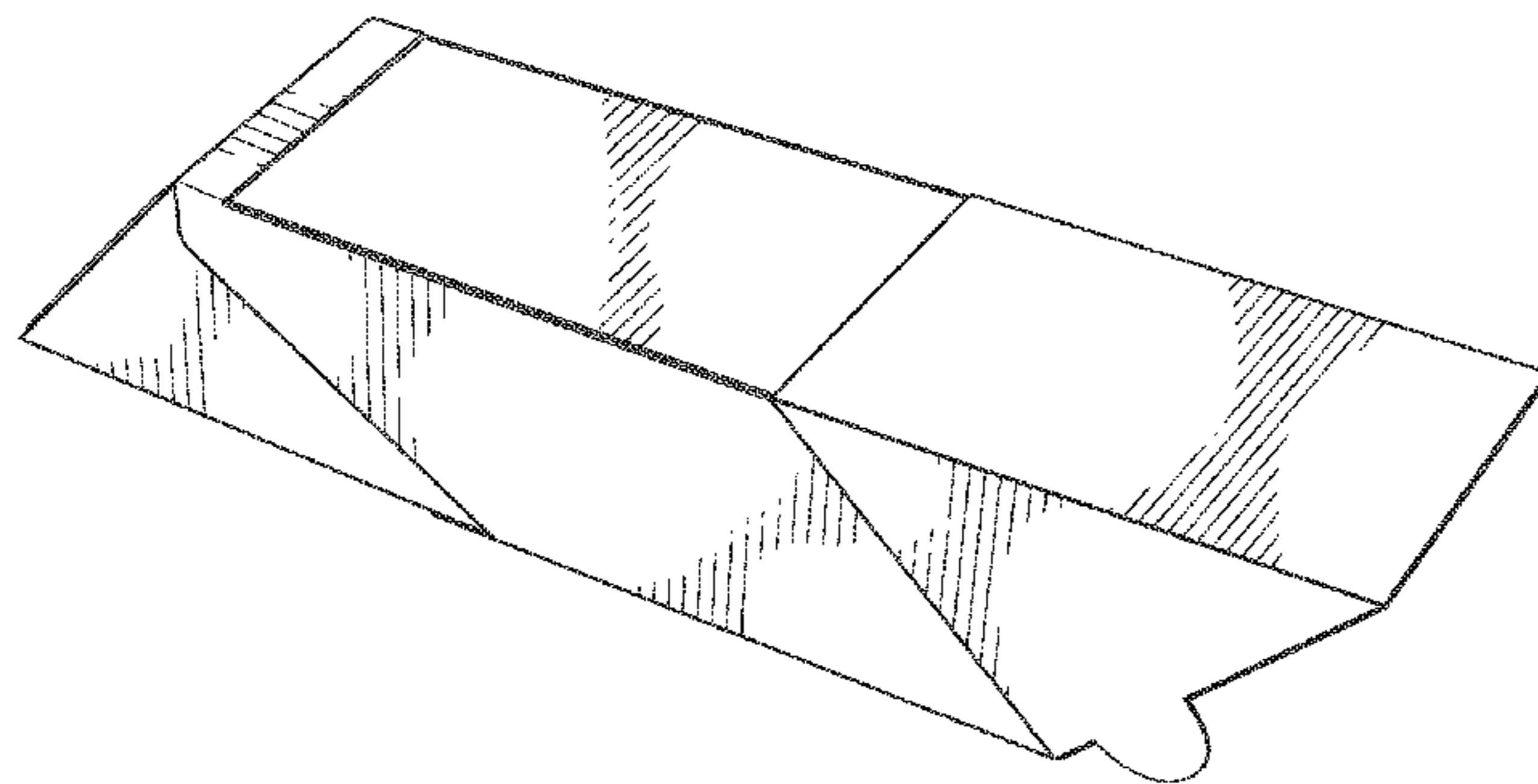
FIG. 3 is a front perspective view thereof in an assembled, display condition;

FIG. 4 is a left side elevation view thereof; the right side view being a mirror image thereto;

FIG. 5 is a bottom plan view thereof; and,

FIG. 6 is a rear elevation view thereof.

1 Claim, 6 Drawing Sheets



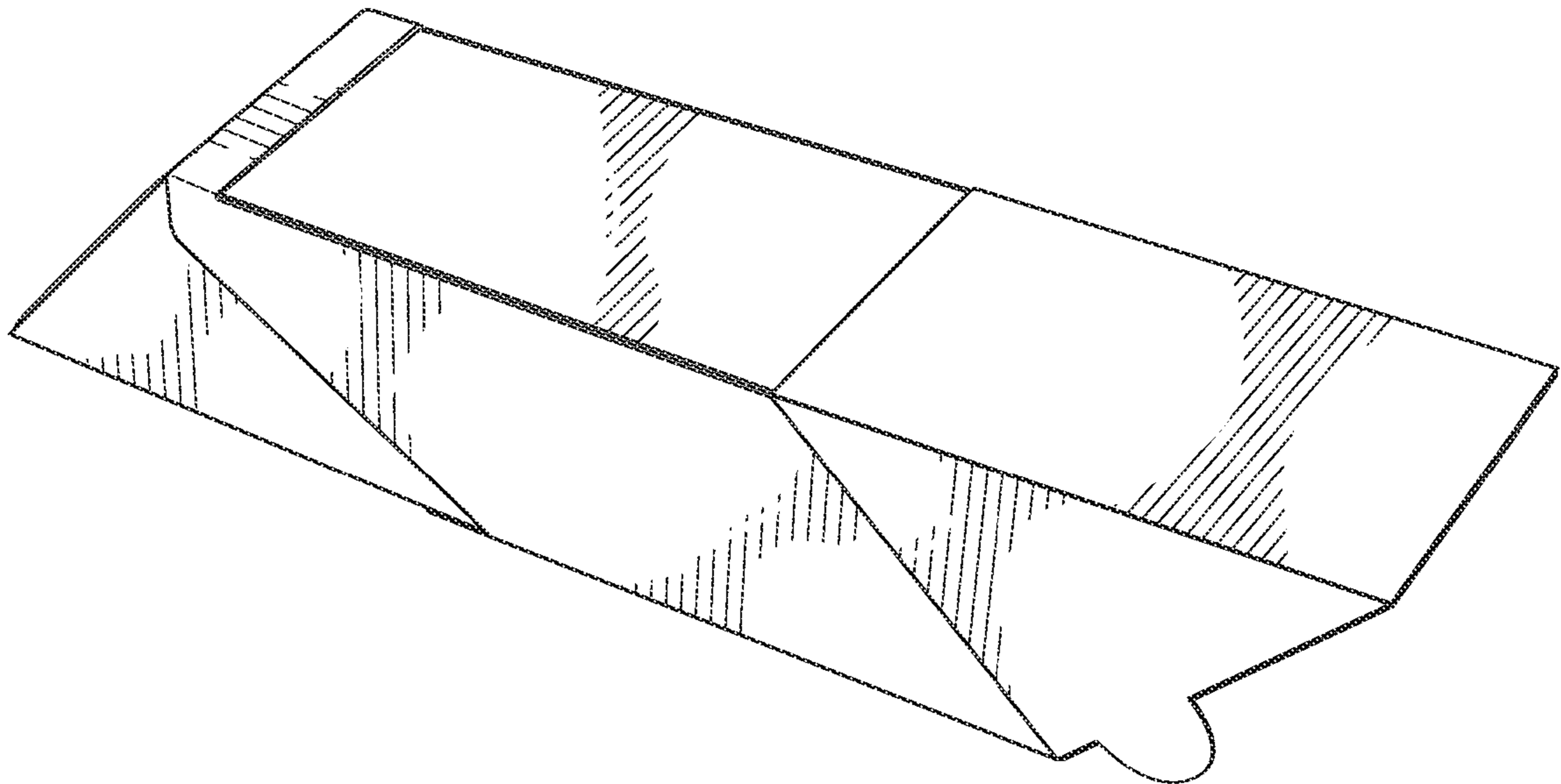


FIG. 1

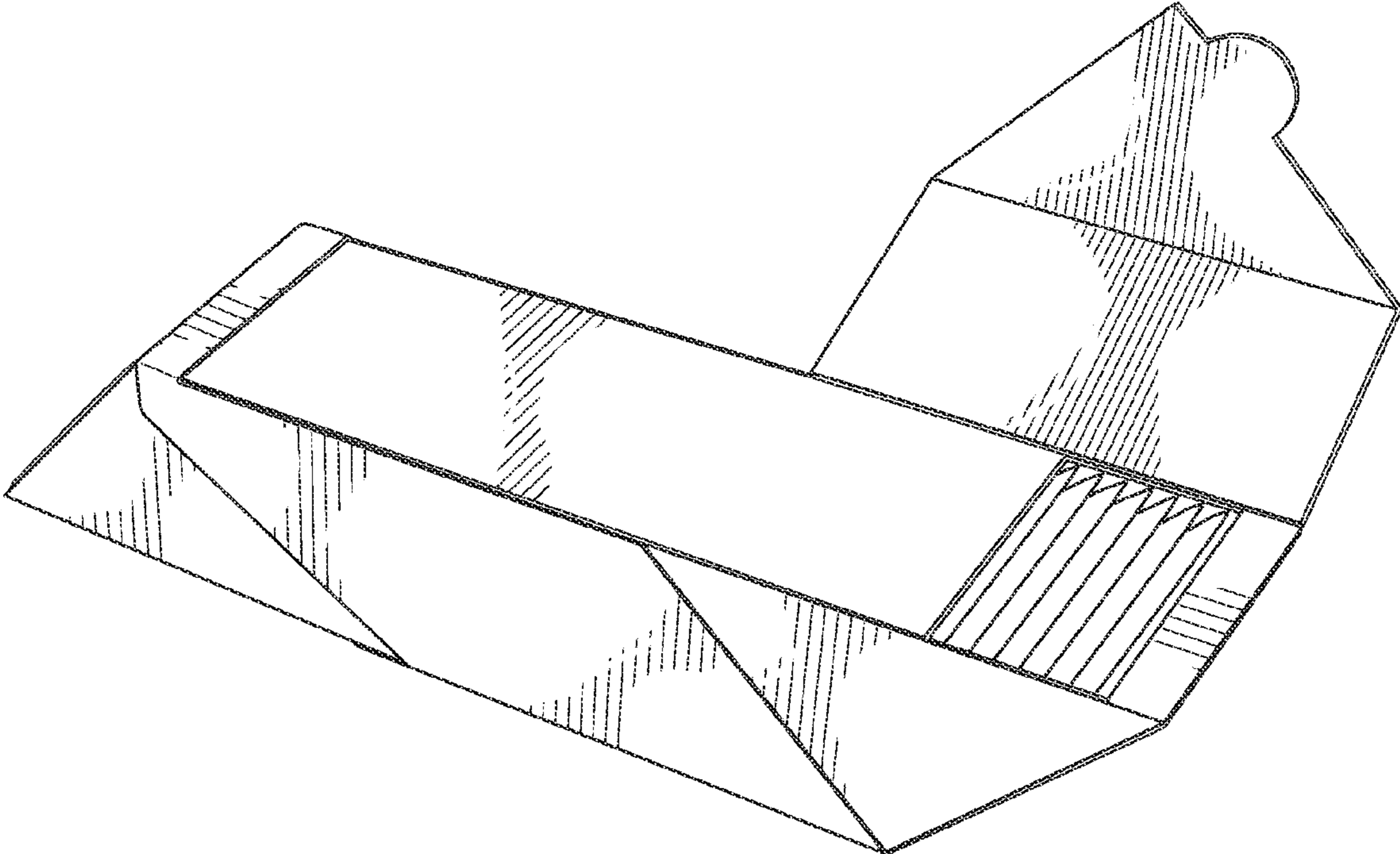


FIG. 2

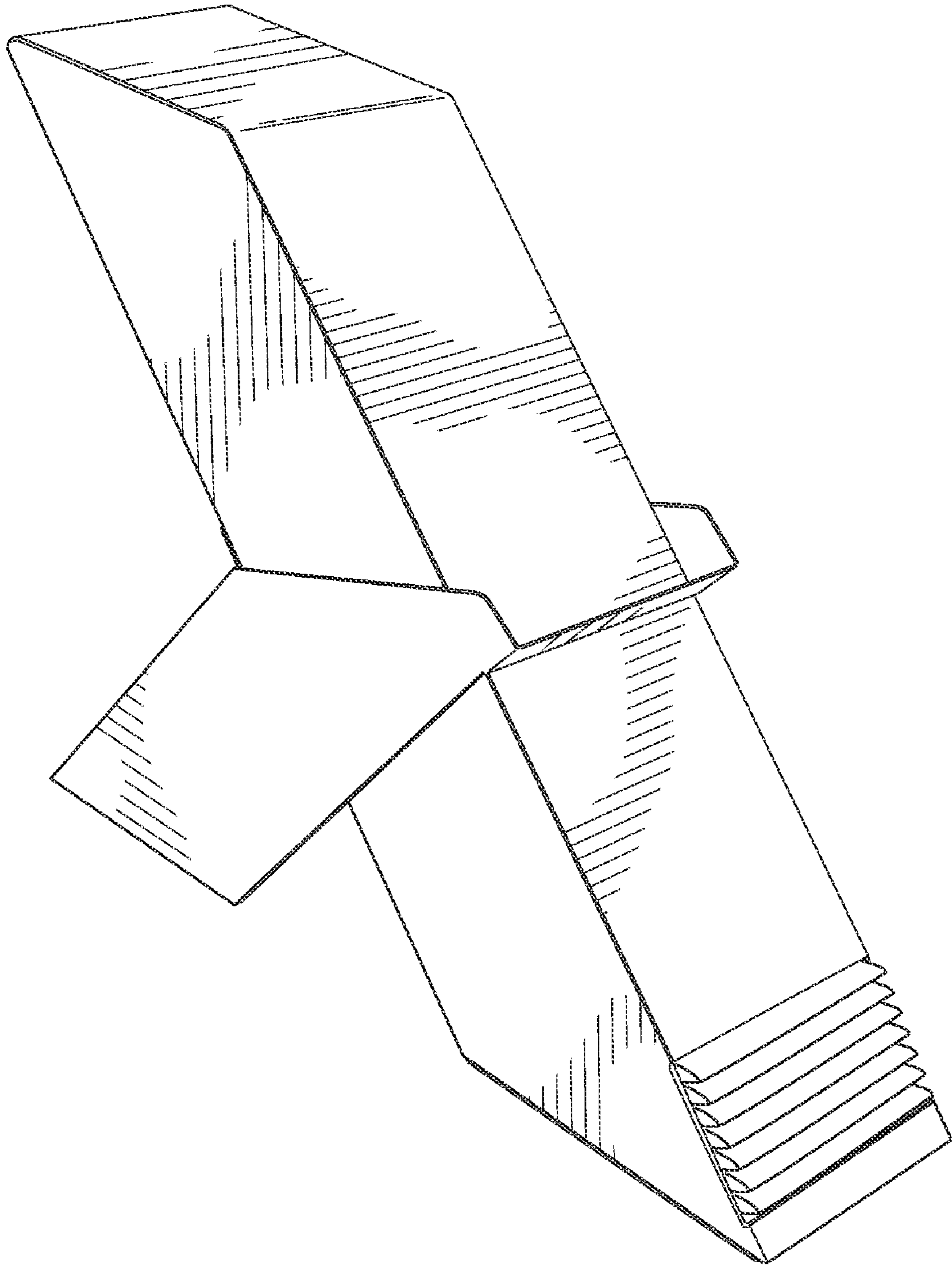


FIG. 3

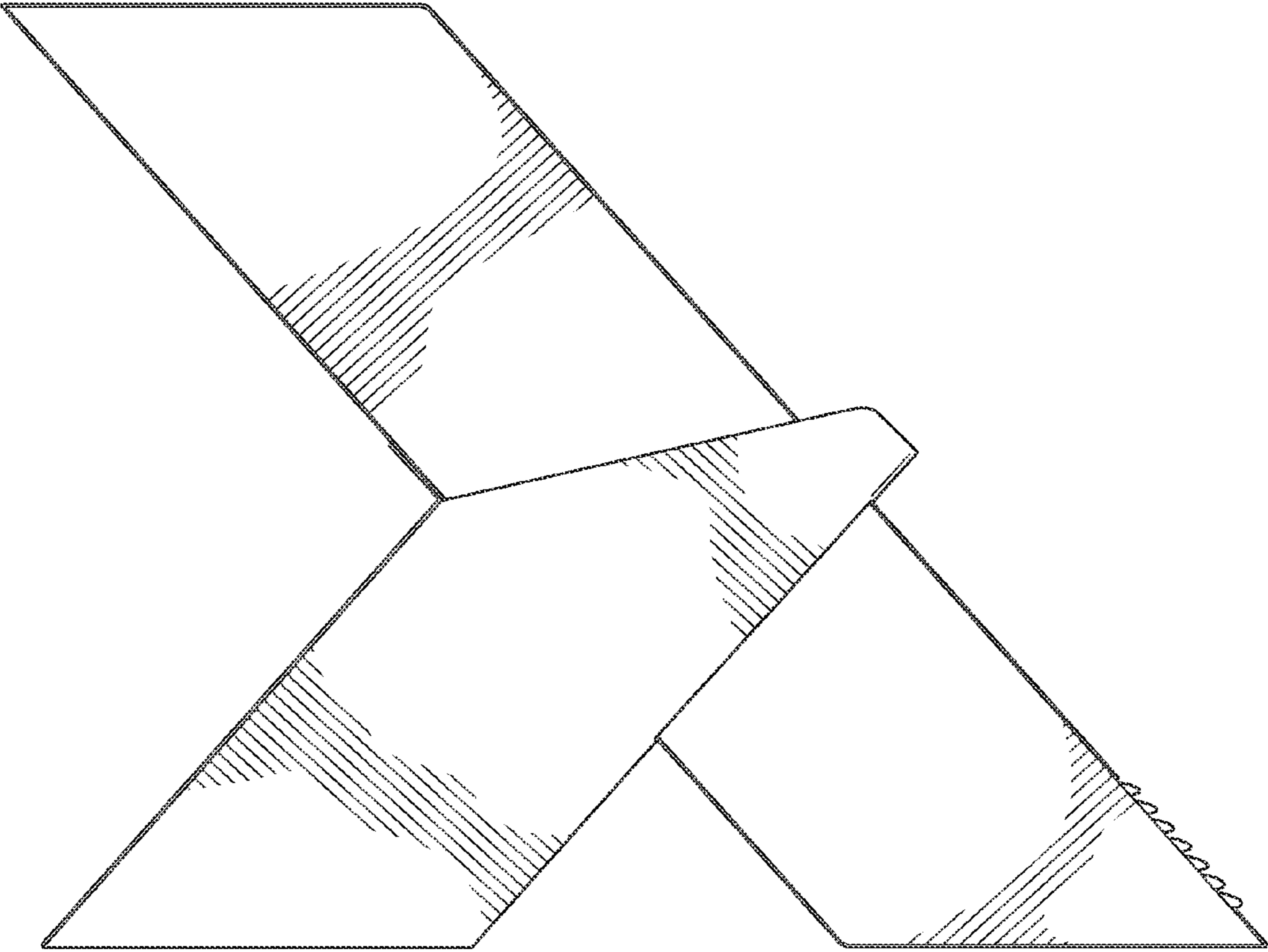


FIG. 4

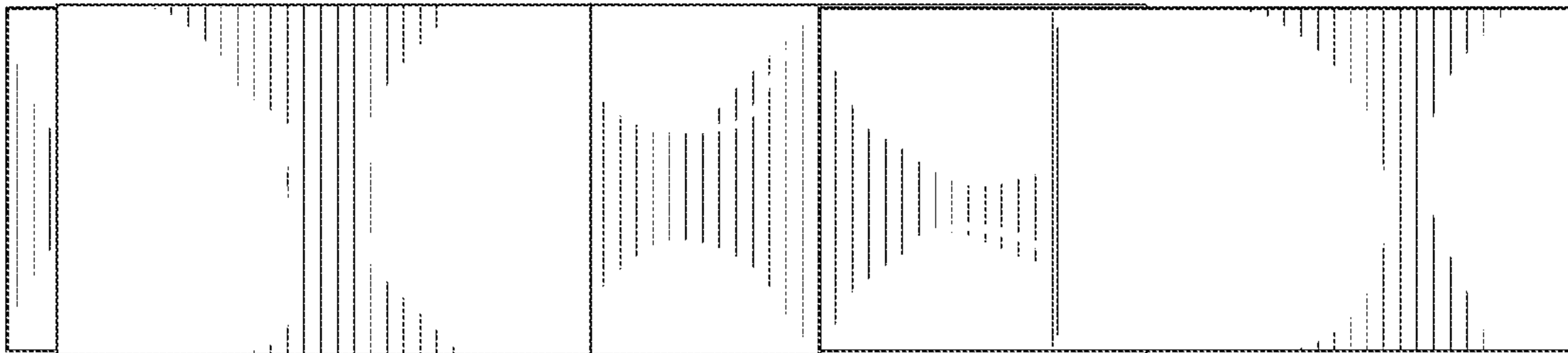


FIG. 5

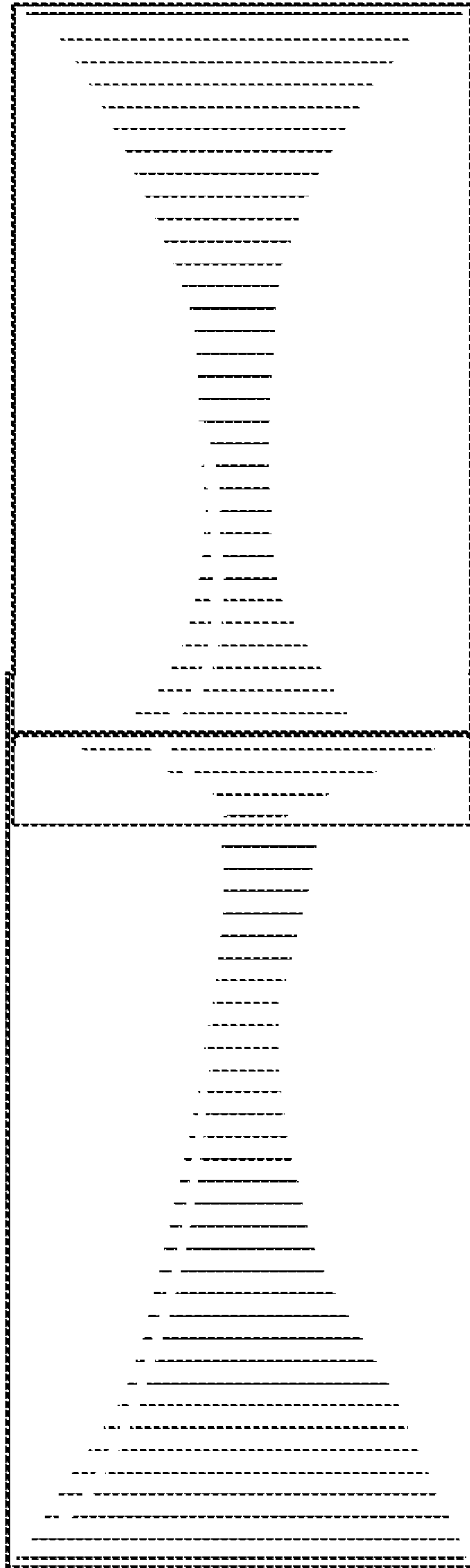


FIG. 6