



US00D629685S

(12) **United States Design Patent**
Brannon et al.

(10) **Patent No.:** **US D629,685 S**
(45) **Date of Patent:** **** Dec. 28, 2010**

(54) **DISPENSING CLOSURE**
(75) Inventors: **Patrick J Brannon**, Warwick, RI (US);
Clifford W. Skillin, Blackstone, MA
(US); **Sergey Romanov**, Cranston, RI
(US)

3,690,496 A 9/1972 Gibson
3,693,847 A 9/1972 Gibson
3,734,332 A 5/1973 Grulich
3,784,045 A 1/1974 Komendowski

(Continued)

(73) Assignee: **Polytop Corporation**, Slatersville, RI
(US)

FOREIGN PATENT DOCUMENTS

DE 4214548 11/1993

(Continued)

(**) Term: **14 Years**

OTHER PUBLICATIONS

(21) Appl. No.: **29/364,189**

Int PCT Application No. PCT/US07/77562 Transmittal.

(22) Filed: **Jun. 21, 2010**

(Continued)

Related U.S. Application Data

(60) Division of application No. 29/350,212, filed on Nov.
12, 2009, now Pat. No. Des. 621,260, which is a con-
tinuation of application No. 11/849,979, filed on Sep.
4, 2007, now Pat. No. 7,735,699.

Primary Examiner—Susan Bennett Hattan

(74) *Attorney, Agent, or Firm*—Barlow, Josephs & Holmes,
Ltd.

(51) **LOC (9) Cl.** **09-07**

(57) **CLAIM**

(52) **U.S. Cl.** **D9/449; D9/446; D9/452;**
D9/447

The ornamental design for a dispensing closure, as shown and
described.

(58) **Field of Classification Search** D9/504,
D9/454, 453, 452, 449, 447, 446, 443, 435;
D7/629, 511, 396.2, 392.1; 222/480; 215/220,
215/331, 306, 236, 235; 220/810
See application file for complete search history.

DESCRIPTION

FIG. 1 is a front perspective view of the dispensing closure in
accordance with the present invention;

FIG. 2 is a front view thereof;

FIG. 3 is a rear view thereof;

FIG. 4 is a left view thereof;

FIG. 5 is a right view thereof;

FIG. 6 is a top view thereof;

FIG. 7 is bottom view thereof;

FIG. 8 is a cross-sectional view thereof as taken along line 8-8
in FIG. 5; and,

FIG. 9 is front perspective view of the dispensing closure
thereof with the lid closed.

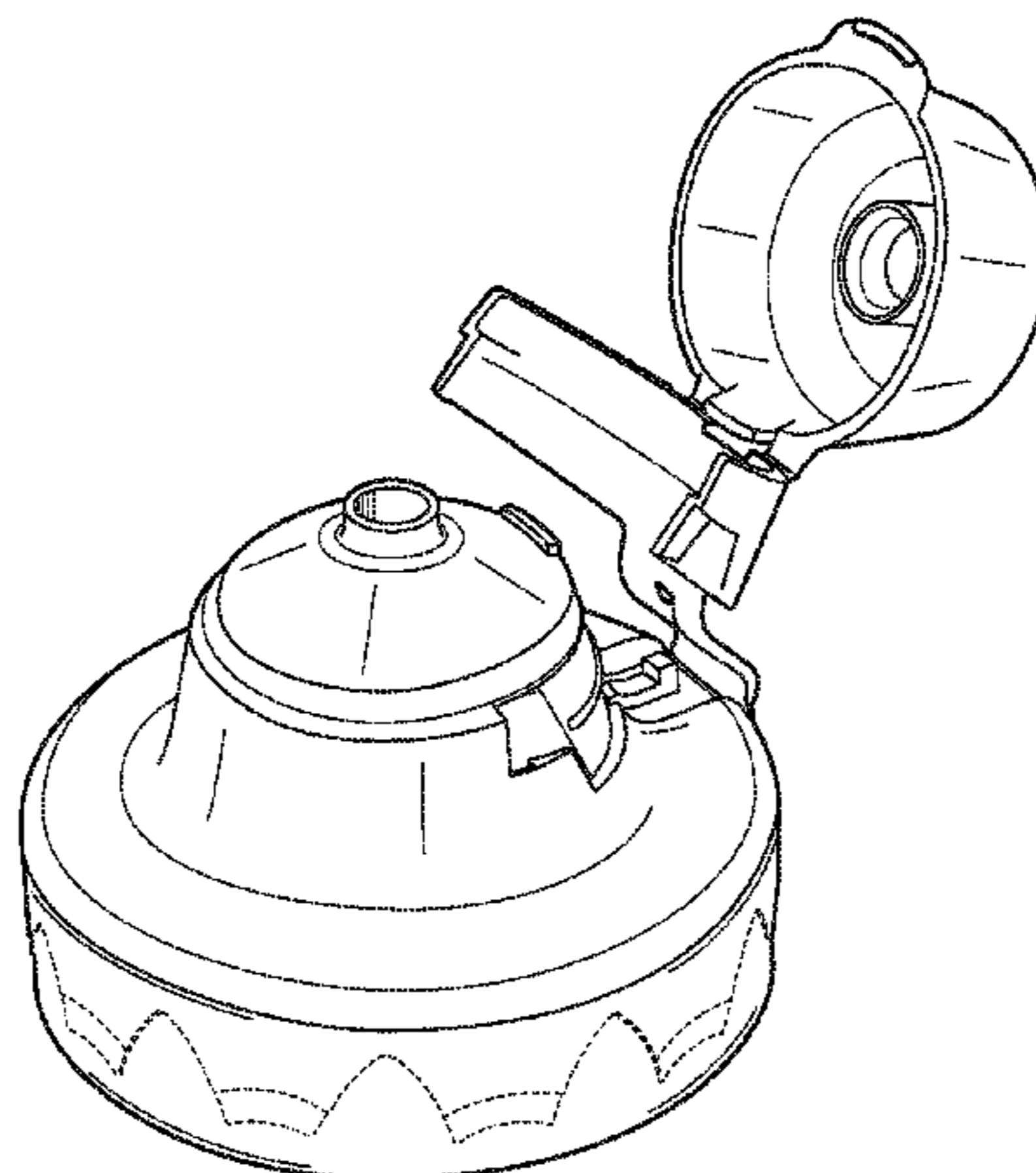
The broken lines in the drawing depict environment subject
matter only and form no part of the claimed design.

(56) **References Cited**

U.S. PATENT DOCUMENTS

330,545 A 11/1885 Barker
1,844,442 A 2/1932 Schmalz
2,130,749 A 9/1938 Von Till
2,313,031 A 3/1943 Parkhurst
2,921,724 A 1/1960 Whitney
3,055,526 A 9/1962 Plunkett
3,289,885 A 12/1966 Villaveces
3,353,725 A 11/1967 Caceres
3,416,688 A 12/1968 Fanning
3,439,843 A 4/1969 Corsette
3,618,170 A 11/1971 Owens

1 Claim, 9 Drawing Sheets



U.S. PATENT DOCUMENTS

3,827,593 A 8/1974 Kramb et al.
 3,877,598 A 4/1975 Hazard
 3,980,211 A 9/1976 Owens
 4,209,485 A 6/1980 Greenspan
 4,241,855 A 12/1980 Yoshioka
 4,343,754 A 8/1982 Wilde et al.
 4,487,342 A 12/1984 Shy
 4,564,113 A 1/1986 Mendler
 4,579,241 A 4/1986 Hayes
 4,649,013 A 3/1987 Yamamoto et al.
 4,749,108 A 6/1988 Dornsbusch et al.
 4,767,587 A 8/1988 Towns et al.
 4,778,071 A 10/1988 Fillmore
 4,782,985 A 11/1988 Kinsley
 4,880,140 A 11/1989 Solomon et al.
 4,949,880 A 8/1990 Bradley
 D314,147 S 1/1991 Davis
 5,033,655 A 7/1991 Brown
 5,048,723 A 9/1991 Seymour
 5,123,575 A 6/1992 Li
 5,197,634 A 3/1993 Beck
 5,271,531 A 12/1993 Rohr et al.
 5,277,318 A 1/1994 Smalley, Jr. et al.
 5,285,913 A 2/1994 Morton
 5,292,020 A 3/1994 Narin
 5,332,131 A 7/1994 Pehr
 5,370,284 A 12/1994 Dirksing
 5,472,122 A 12/1995 Appleby
 5,509,582 A 4/1996 Robbins, III
 5,512,228 A 4/1996 Adams et al.
 5,518,152 A 5/1996 Burcham et al.
 5,547,091 A 8/1996 Neveras et al.
 5,779,110 A 7/1998 Brown et al.
 5,819,994 A 10/1998 Leipold
 5,820,807 A 10/1998 Urmston
 5,875,909 A 3/1999 Guglielmini
 D409,043 S 5/1999 Lillelund et al.
 5,992,659 A 11/1999 Nofer et al.
 6,006,960 A 12/1999 Gross
 6,029,861 A 2/2000 Gier
 6,412,664 B1 7/2002 Wolff et al.

6,454,130 B1 9/2002 Miller et al.
 6,523,720 B1 2/2003 Robbins, III
 6,564,978 B1 5/2003 Safian et al.
 6,609,694 B2 8/2003 Francois et al.
 6,644,620 B2 11/2003 Johnson
 6,685,041 B1 2/2004 Geisinger
 6,837,402 B2 1/2005 Cardia
 7,014,075 B2 3/2006 Bonifacio et al.
 D540,677 S 4/2007 Stull
 D598,755 S 8/2009 Bull
 D610,005 S * 2/2010 McKinney D9/446
 D613,599 S * 4/2010 Khubani D9/446
 2004/0079766 A1 4/2004 Kokubo
 2004/0245290 A1 12/2004 Hagihara
 2005/0072788 A1 4/2005 Lieberman et al.
 2005/0167455 A1 8/2005 Yim
 2006/0175357 A1 8/2006 Hammond

FOREIGN PATENT DOCUMENTS

JP 2004001836 1/2004
 WO 9303338 A1 2/1993
 WO 09513220 5/1995
 WO 02074650 A1 9/2002

OTHER PUBLICATIONS

Int PCT Application No. PCT/US07/77562 International Search Report.
 Int PCT Application No. PCT/US07/77562 Written Opinion.
 PCT Notification of Transmittal of International Search Report and the Written Opinion of the International Searching Authority, or the Declaration for International Application No. PT/US07/77520.
 PCT International Search Report for International Application No. PCT/US07/77520.
 PCT Written Opinion for International Application No. PCT/US07/77520.
 International PCT Application No. PCT/US07/77551 Transmittal.
 International PCT Application No. PCT/US07/77551 International Search Report.
 International PCT Application No. PCT/US07/77551 Written Opinion.

* cited by examiner

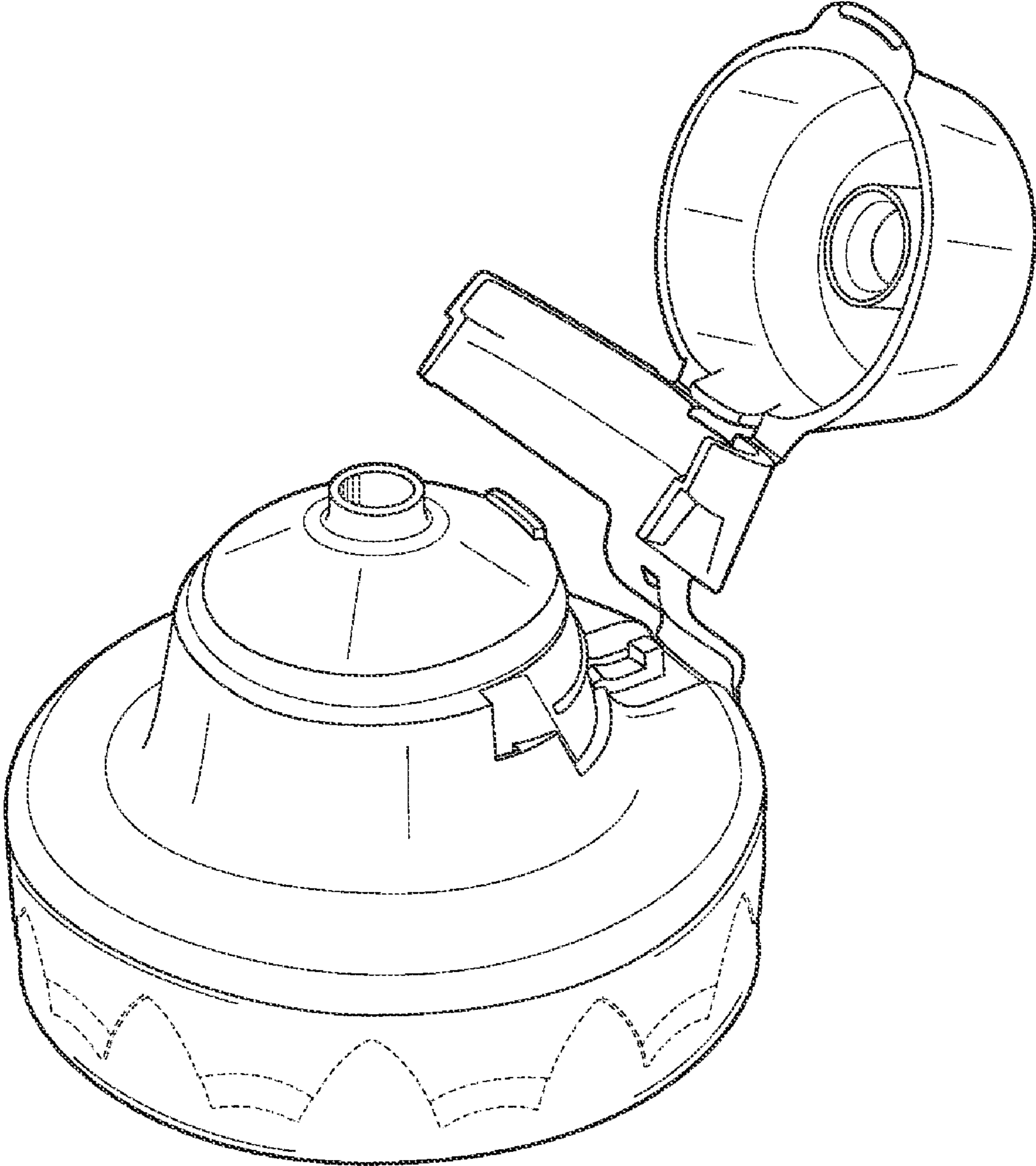


Fig. 1

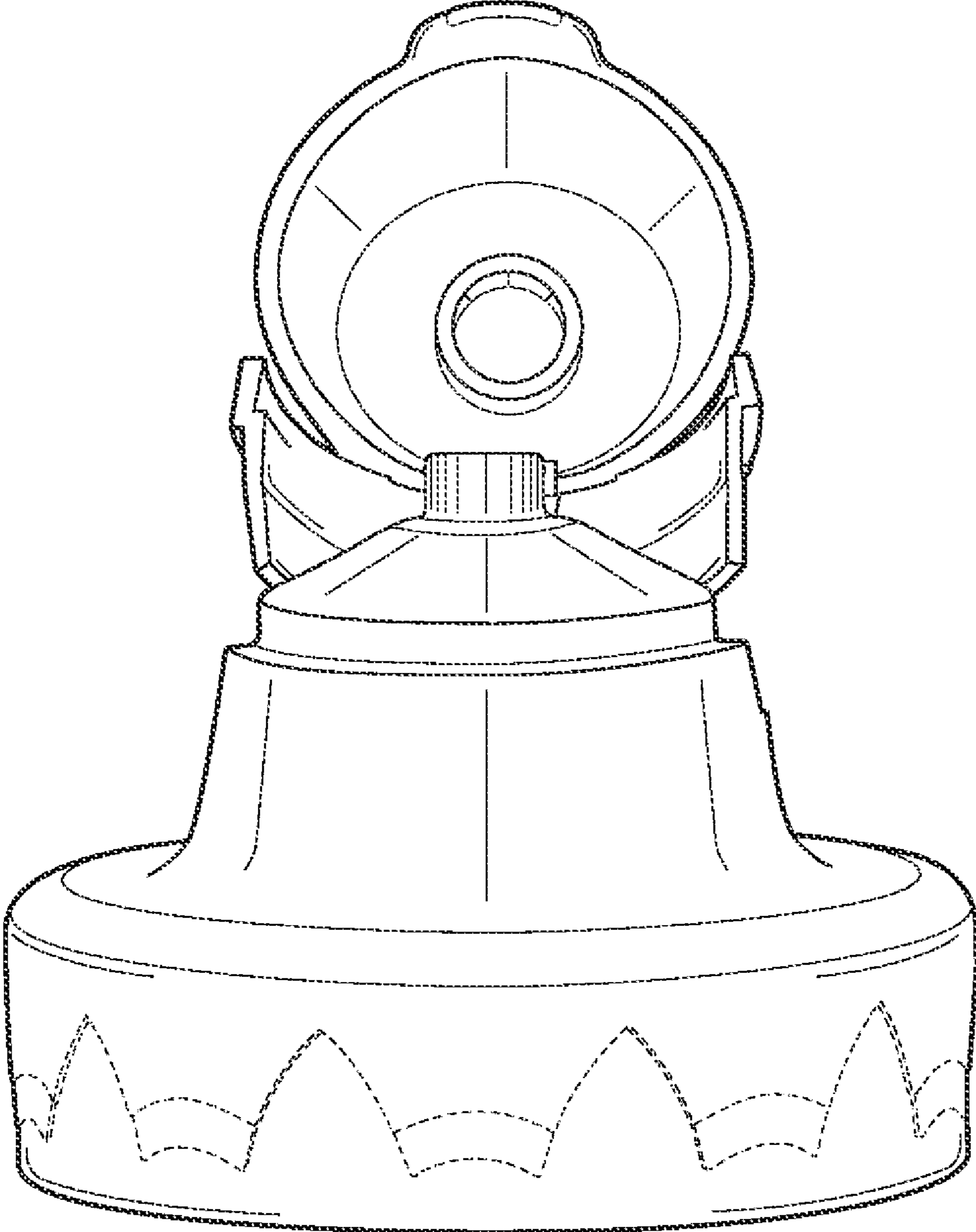


Fig. 2

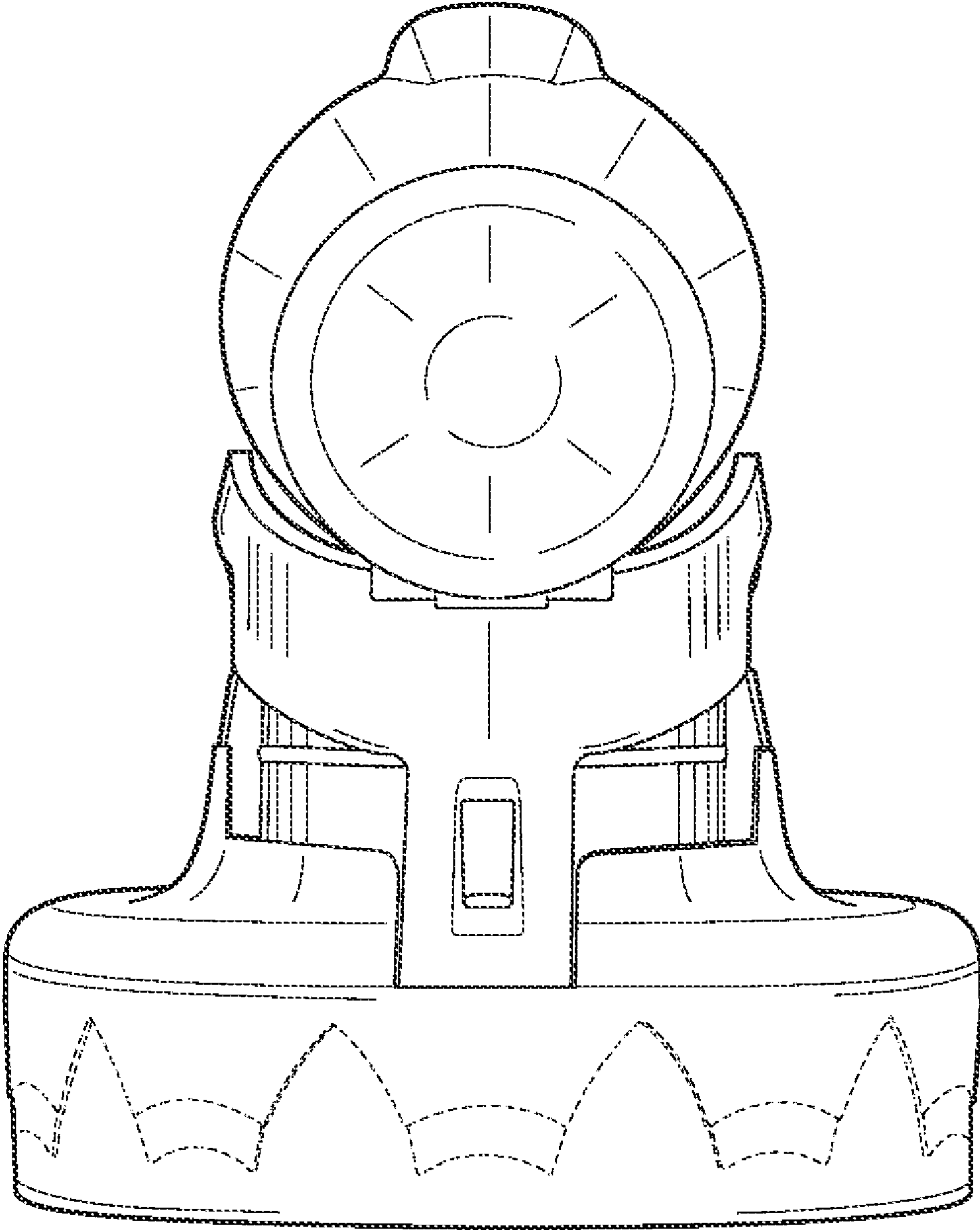


Fig. 3

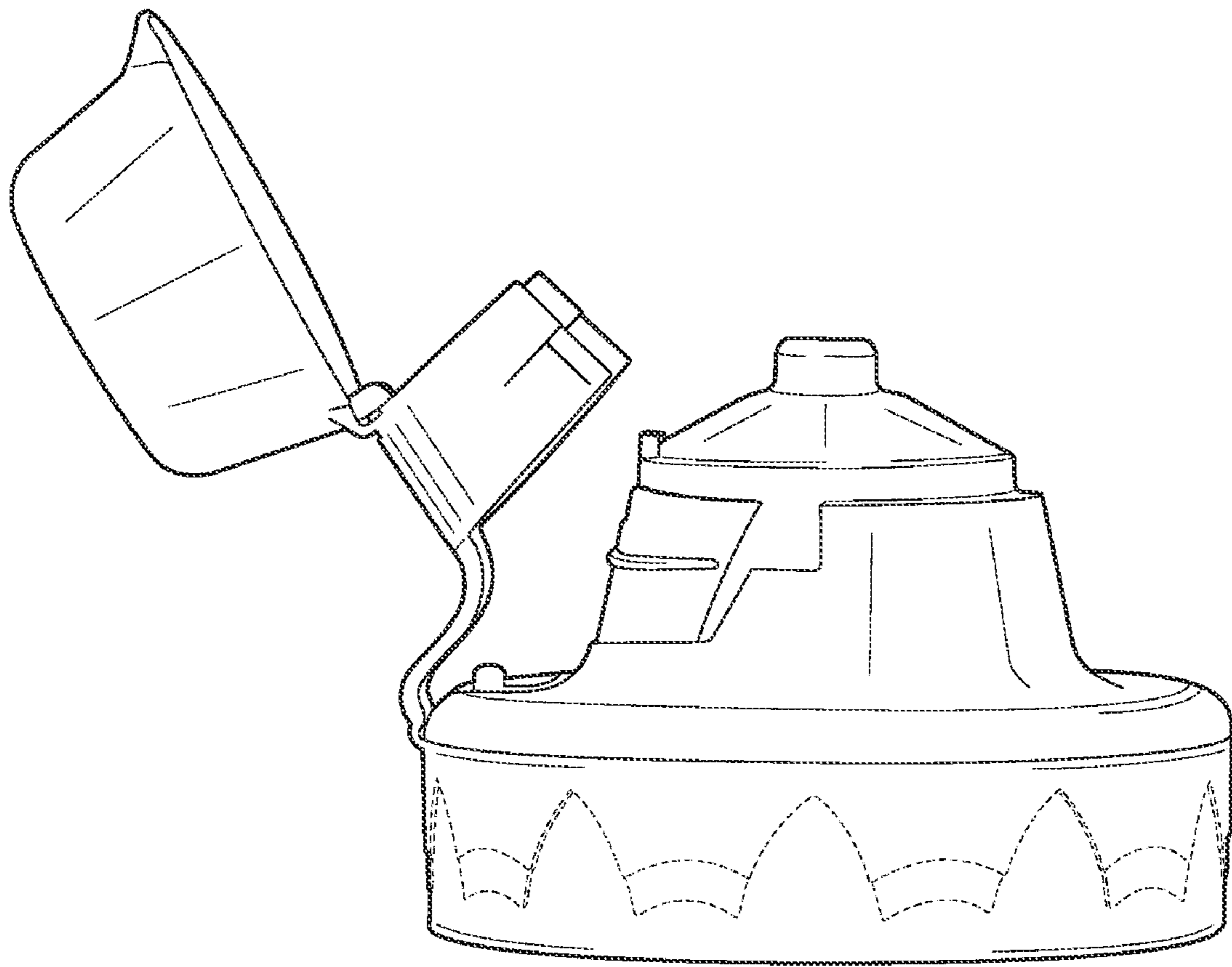


Fig. 4

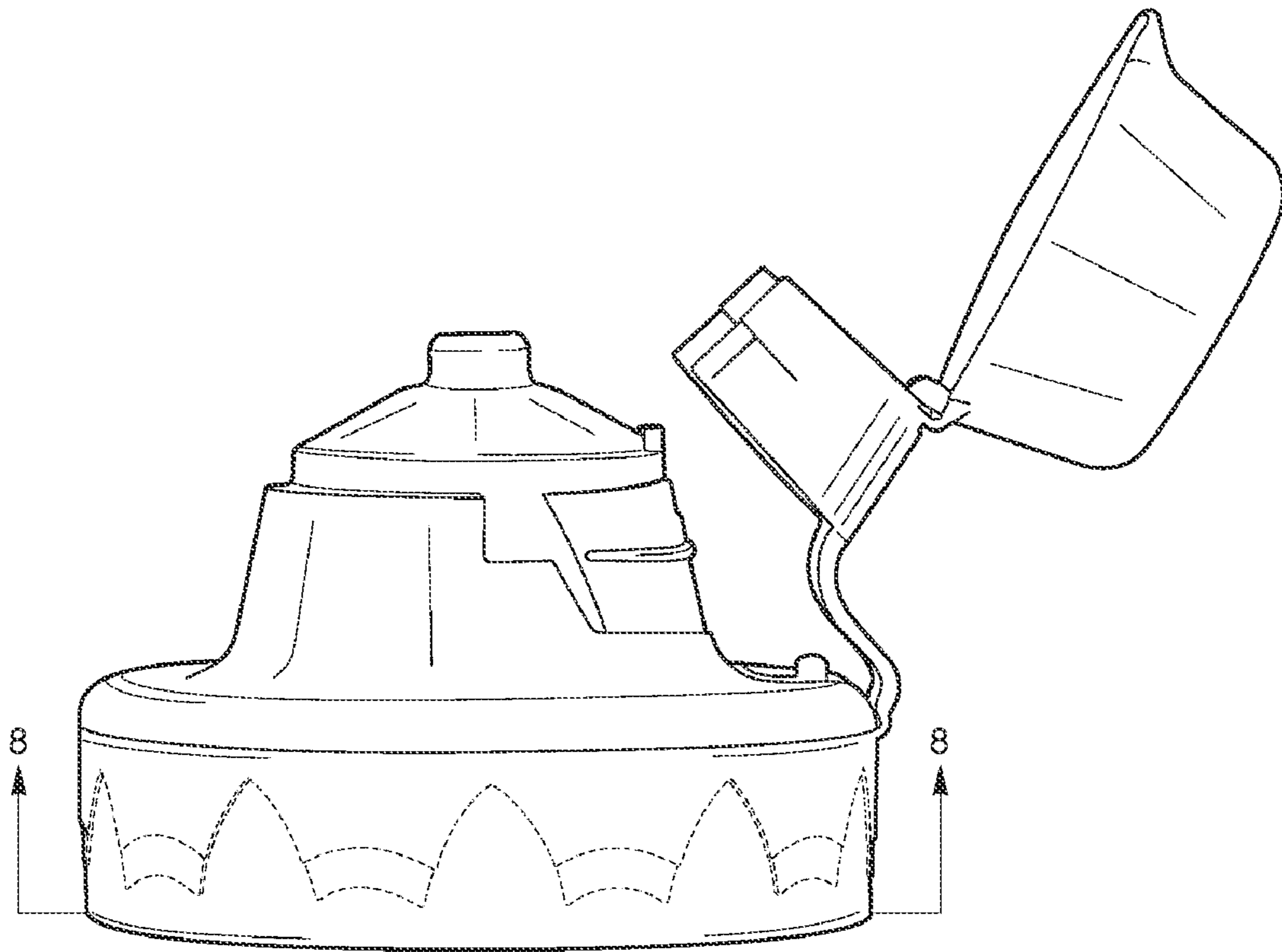


Fig. 5

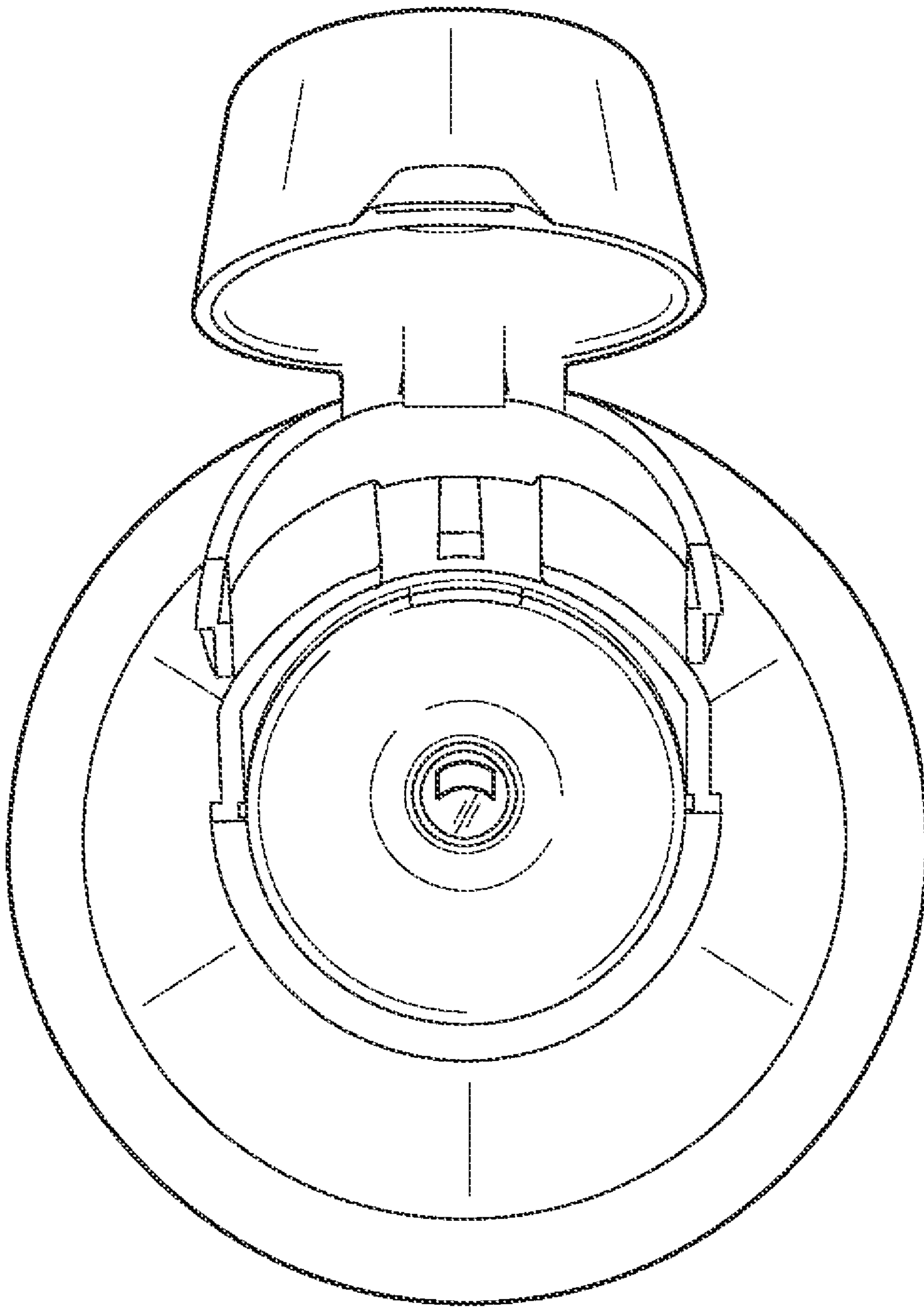


Fig. 6

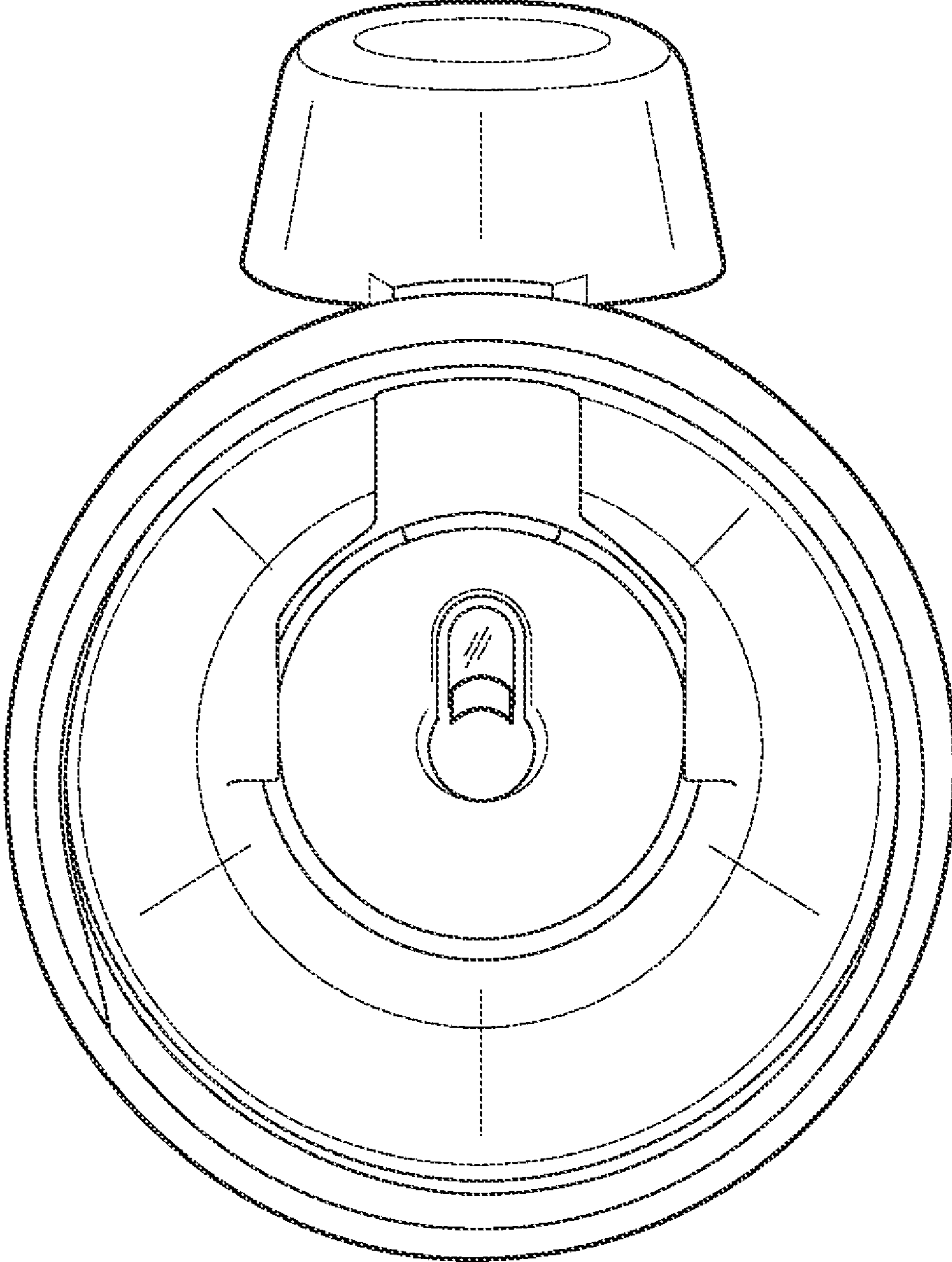


Fig. 7

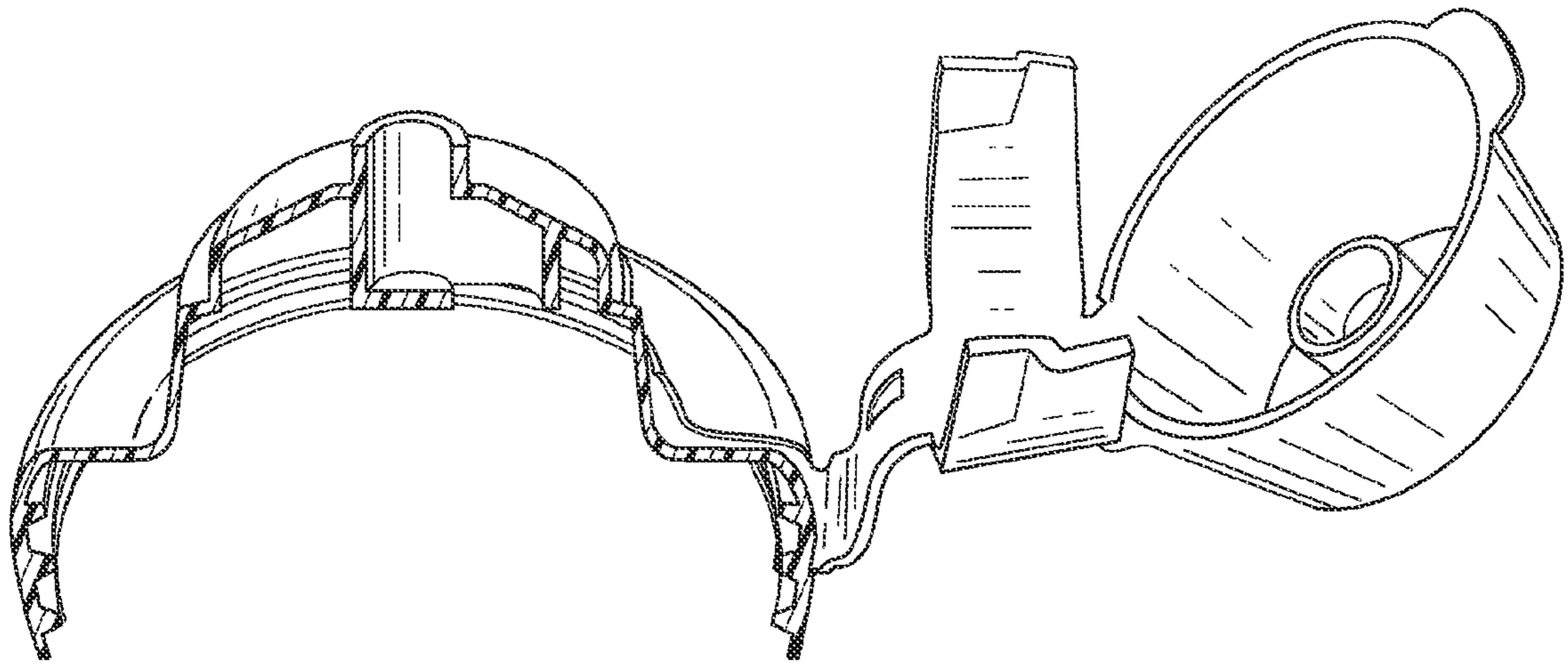


Fig. 8

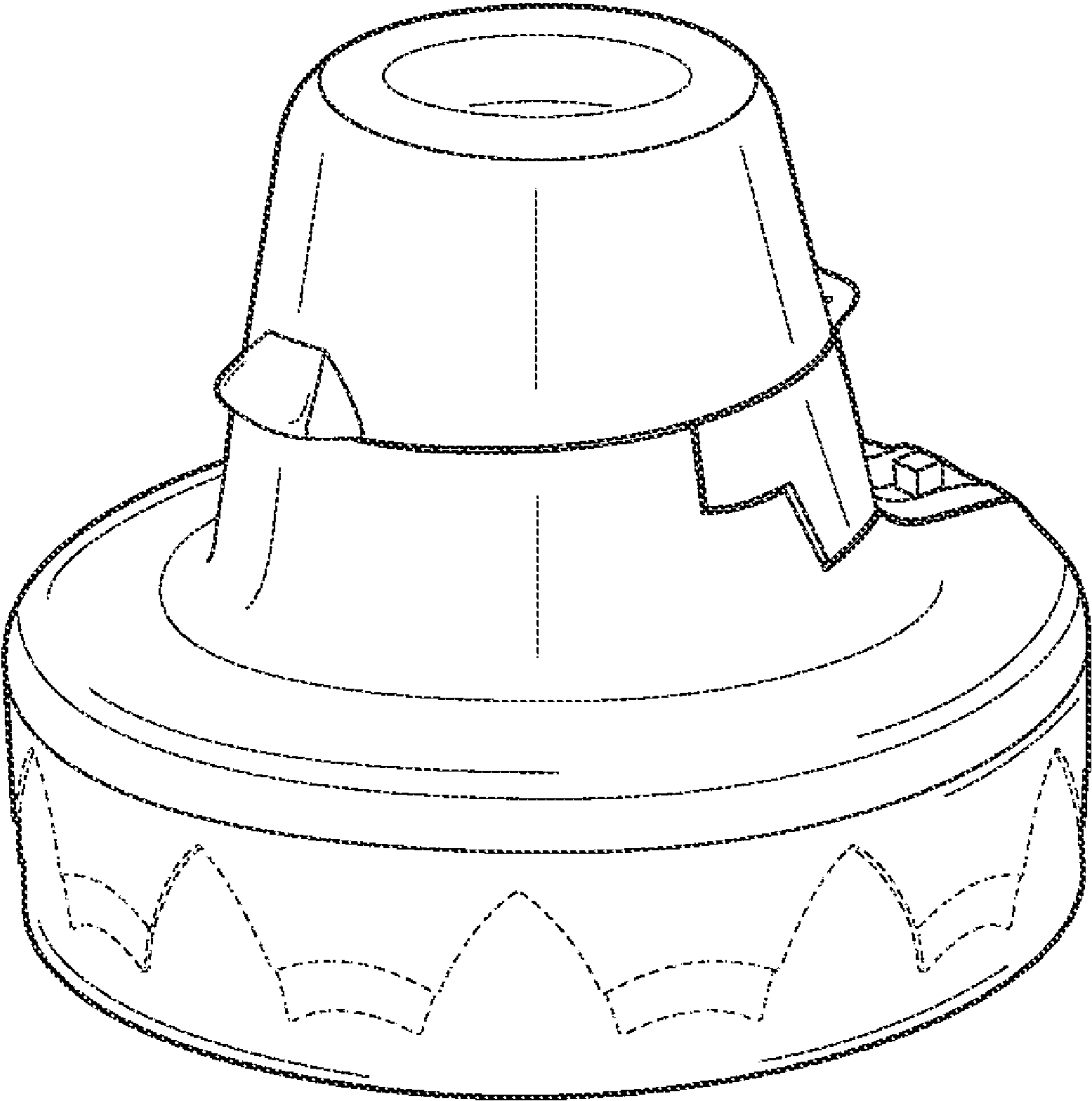


Fig. 9