



US00D629682S

(12) **United States Design Patent**
Overgaag

(10) **Patent No.:** **US D629,682 S**

(45) **Date of Patent:** **** Dec. 28, 2010**

(54) **CONTAINER**

D429,565 S * 8/2000 Aiken D3/302

(75) Inventor: **Peter Overgaag**, Carpinteria, CA (US)

D579,326 S * 10/2008 Chen D9/427

D619,889 S * 7/2010 Short et al. D9/425

(73) Assignee: **Green Growth Consulting, LLC**,
Carpinteria, CA (US)

(**) Term: **14 Years**

* cited by examiner

(21) Appl. No.: **29/366,306**

Primary Examiner—Thomas J Johannes

(74) *Attorney, Agent, or Firm*—Loza & Loza, LLP; Heidi L. Eisenhut

(22) Filed: **Jul. 22, 2010**

(51) **LOC (9) Cl.** **09-03**

(52) **U.S. Cl.** **D9/427; D9/429**

(58) **Field of Classification Search** D9/414–416,
D9/418–420, 423–432, 435; D7/354, 392.1,
D7/394, 396.1, 538, 543, 545, 550.1, 551,
D7/554.3, 587, 566, 575, 584, 586, 605, 629,
D7/667, 709; 220/4.21–4.24, 574, 602–608,
220/659, 675, 781–782, 793, 835, 839, DIG. 12;
229/401, 406; 206/119, 216, 351, 469, 470,
206/508, 521.1, 525–545, 562, 731–734,
206/775–778, 781, 782, 784, 806, 822, 830;
219/725, 728, 732, 735; D23/359; D3/272–273,
D3/276, 294, 302, 312, 314; 221/191
See application file for complete search history.

(57) **CLAIM**

The ornamental design for a container, as shown and described.

DESCRIPTION

FIG. 1 is a top perspective view of a container showing my new design;

FIG. 2 is a front side elevation view thereof;

FIG. 3 is a rear side elevation view thereof;

FIG. 4 is a right elevation view thereof; the opposite side being a mirror image thereto;

FIG. 5 is a top plan view thereof; and,

FIG. 6 is a bottom plan view thereof.

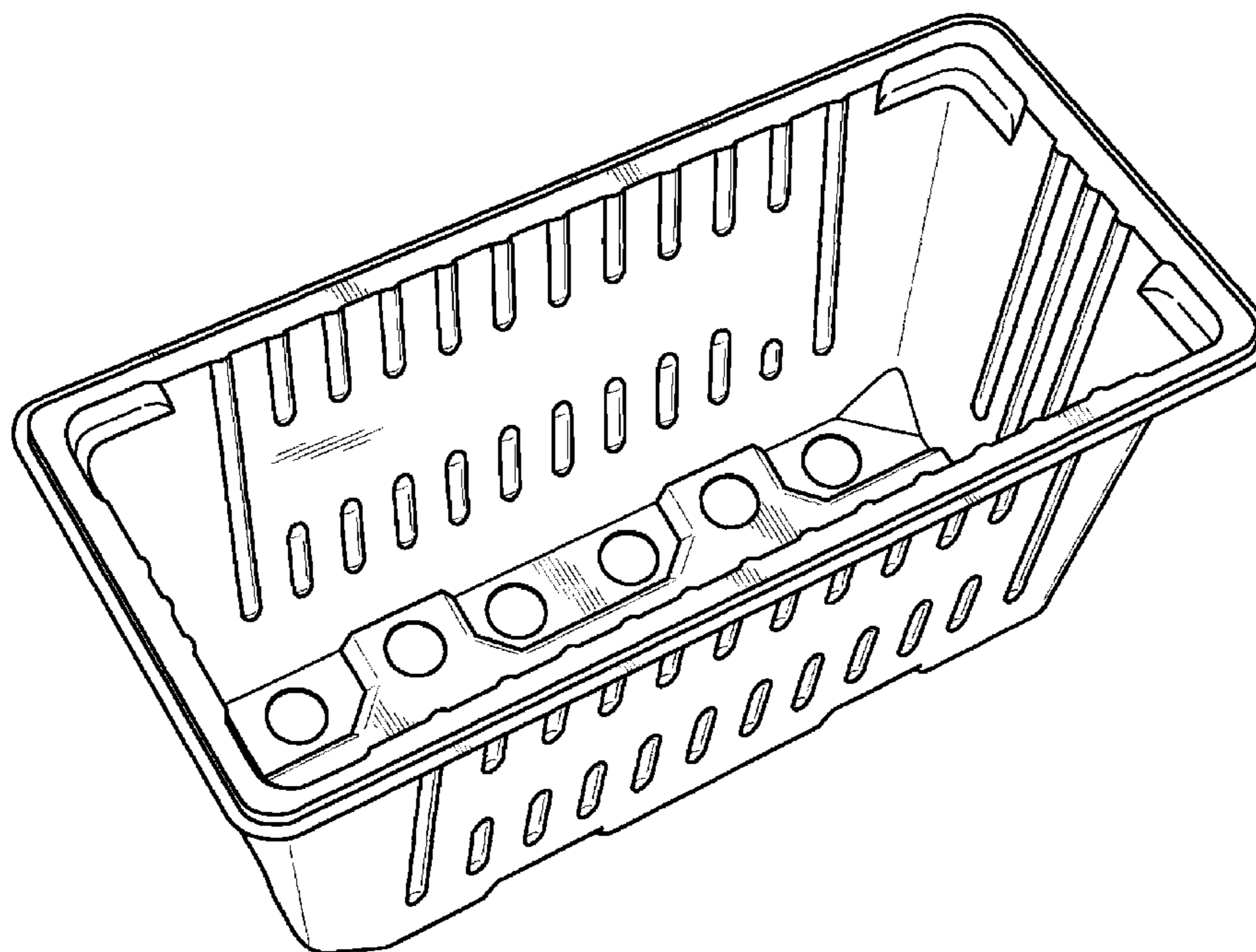
(56) **References Cited**

U.S. PATENT DOCUMENTS

D341,461 S * 11/1993 Davidson et al. D3/312

D363,879 S * 11/1995 Krupa et al. D9/423

1 Claim, 6 Drawing Sheets



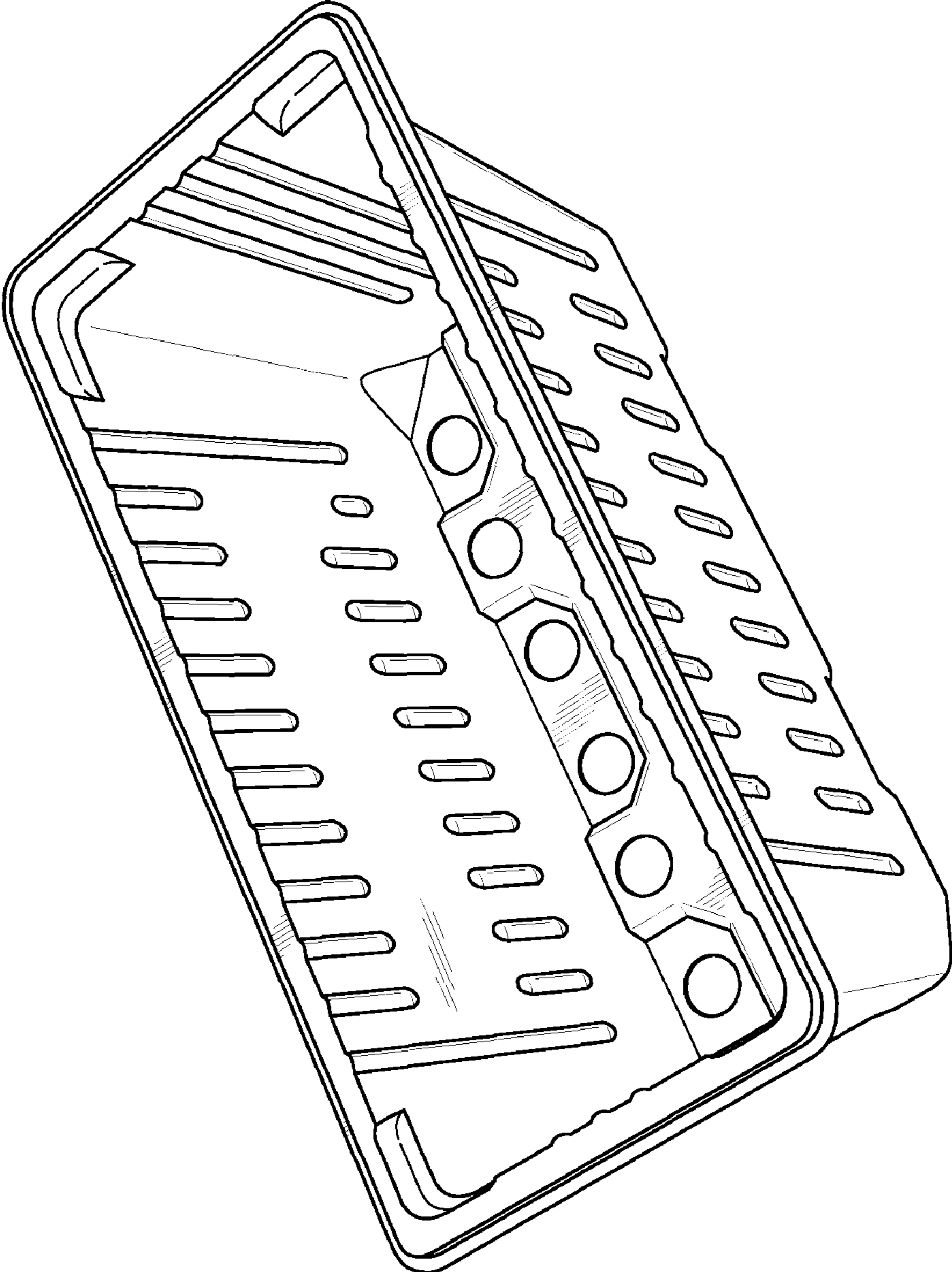


FIG. 1

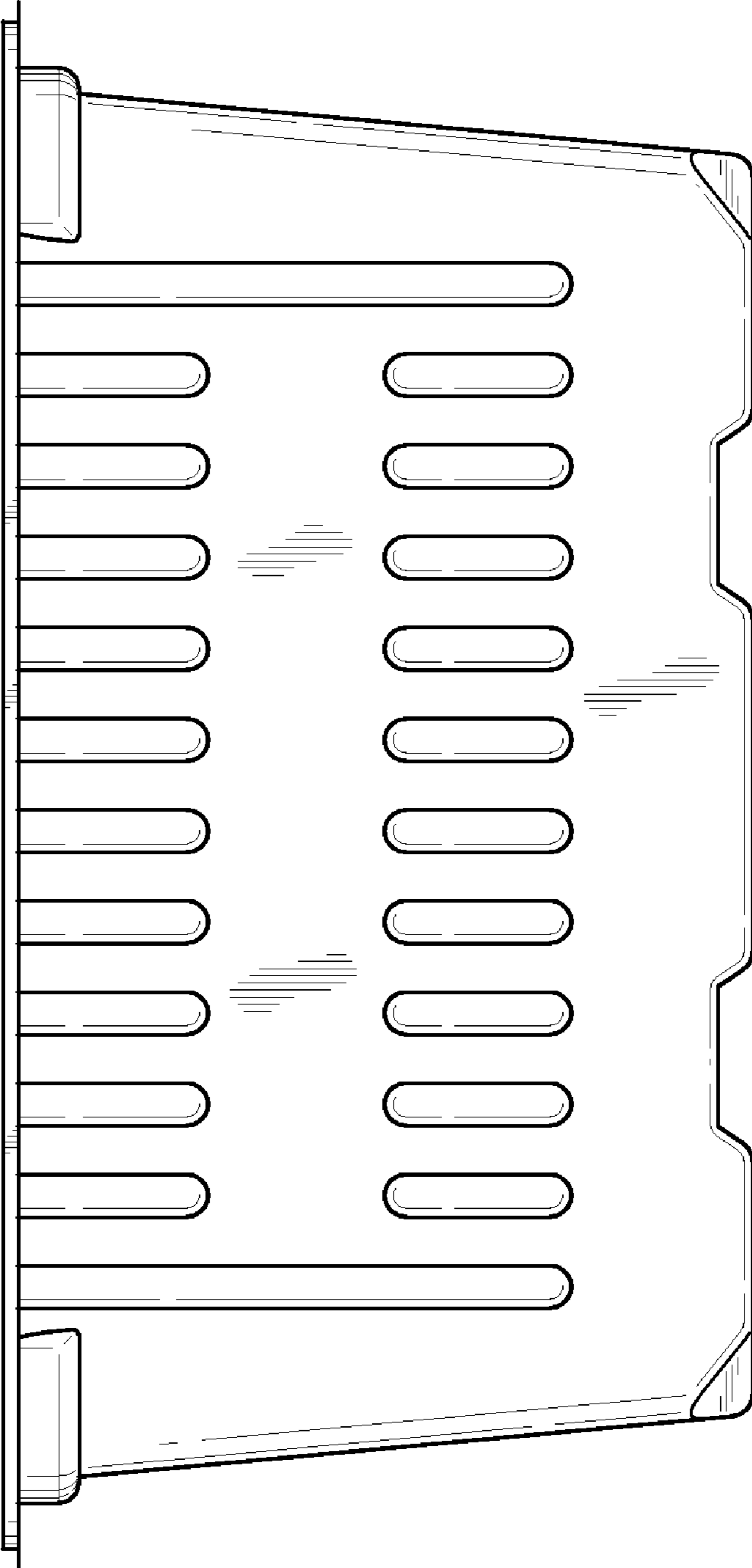


FIG. 2

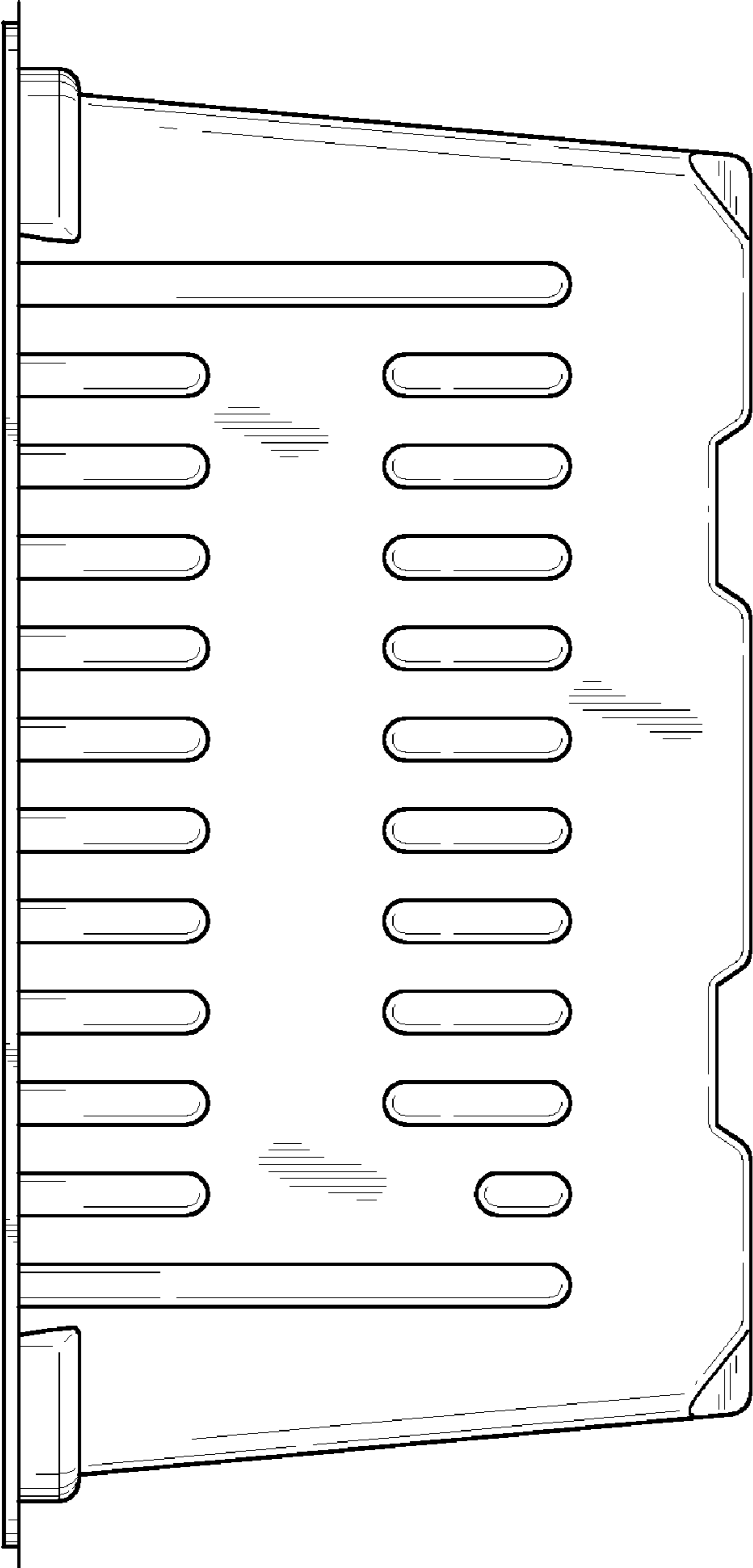


FIG. 3

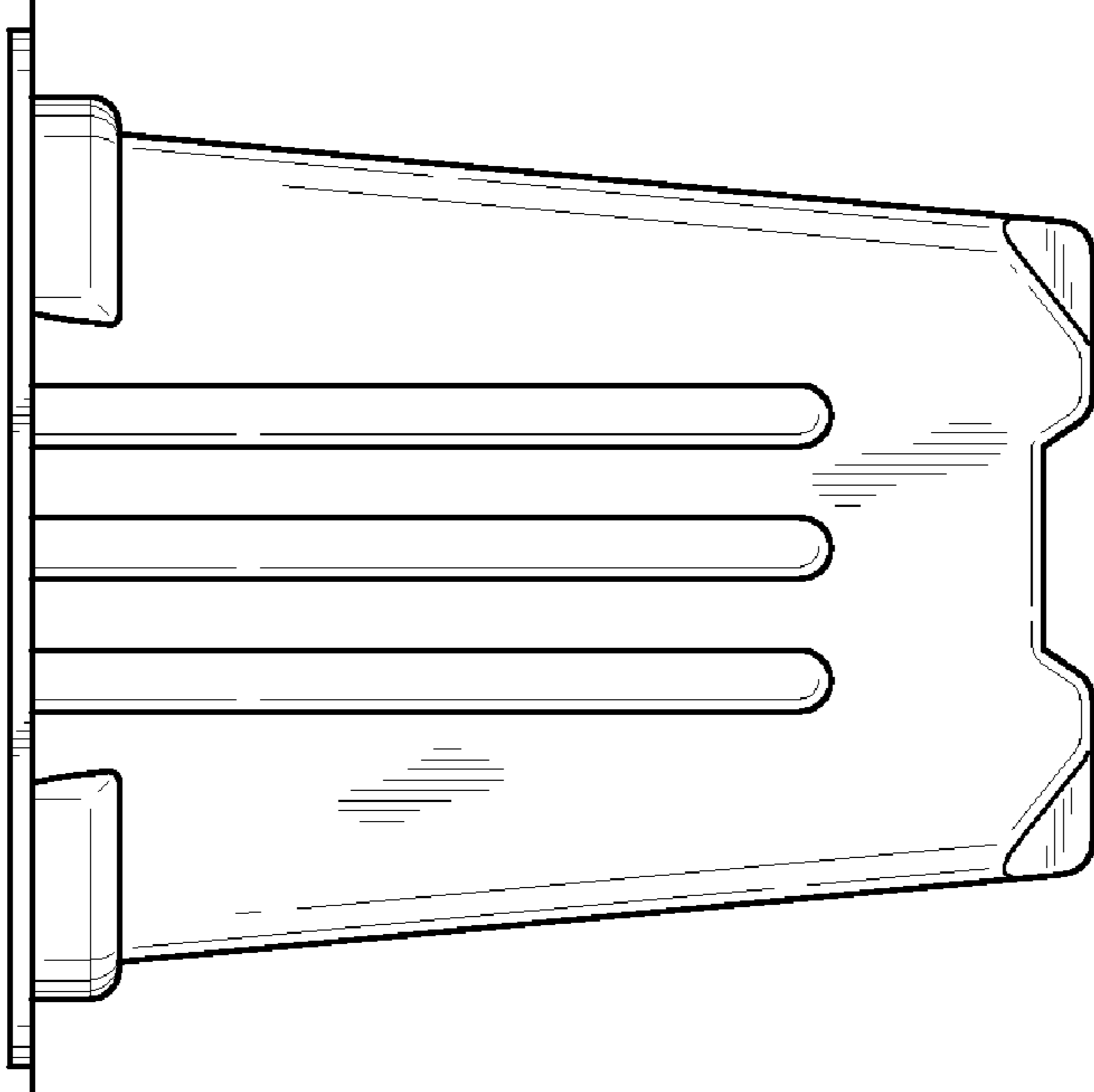


FIG. 4

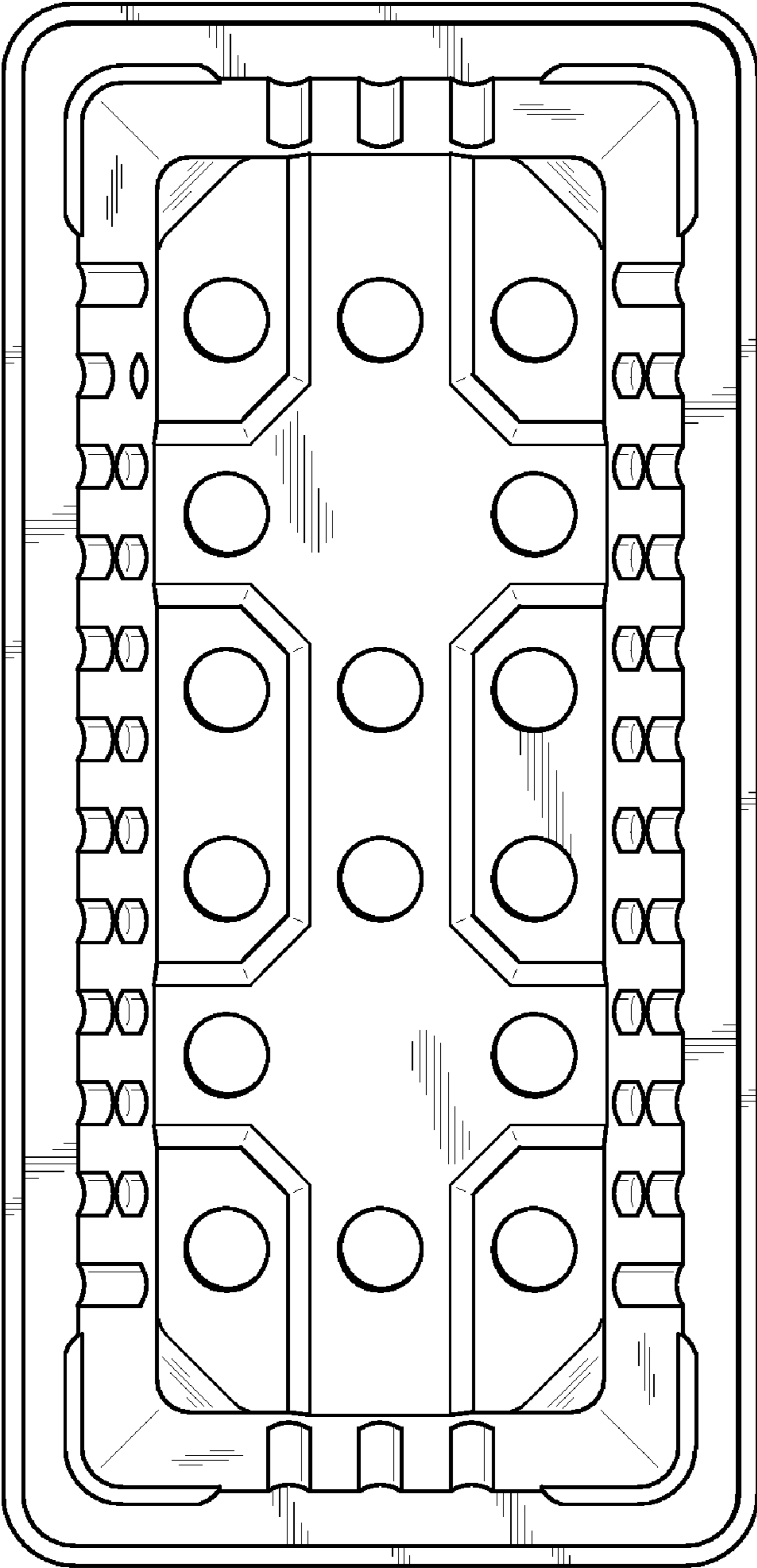


FIG. 5

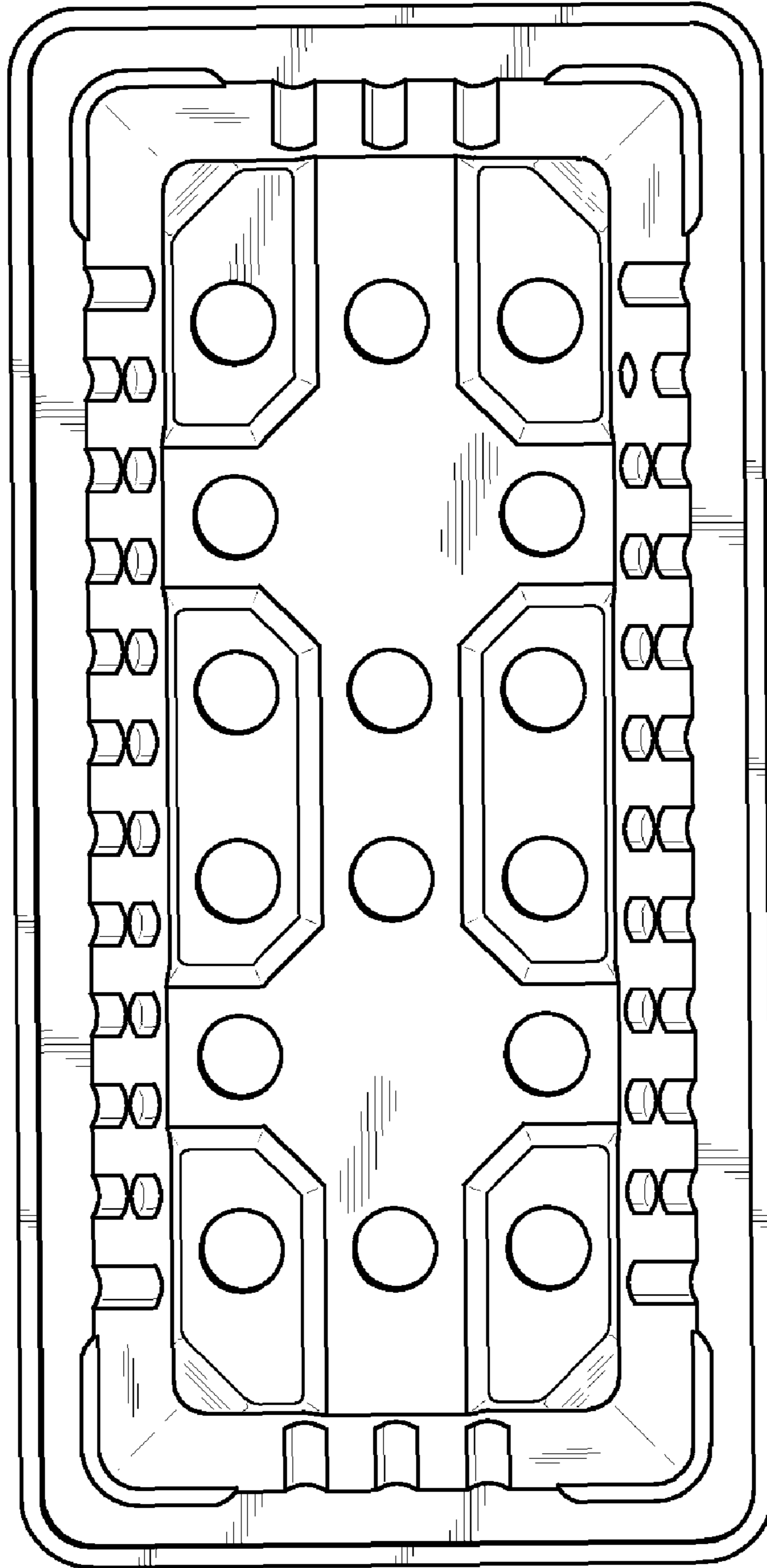


FIG. 6