



US00D629680S

(12) **United States Design Patent**  
**Sondors**

(10) **Patent No.:** **US D629,680 S**

(45) **Date of Patent:** **\*\* Dec. 28, 2010**

(54) **TOY PACKAGE**

(76) Inventor: **Ivars Sondors**, 750 N. Rush St., #2203,  
Chicago, IL (US) 60611

(\*\*) Term: **14 Years**

(21) Appl. No.: **29/361,290**

(22) Filed: **May 10, 2010**

(51) **LOC (9) Cl.** ..... **09-03**

(52) **U.S. Cl.** ..... **D9/418**

(58) **Field of Classification Search** ..... D9/415,  
D9/418, 424, 425, 428, 457; D3/218, 315;  
206/461-471, 806

See application file for complete search history.

(56) **References Cited**

**U.S. PATENT DOCUMENTS**

4,637,516	A *	1/1987	de Roure	.....	206/471
4,781,289	A *	11/1988	Perkins	.....	206/45.24
D305,870	S *	2/1990	Perkins	.....	D9/415
D306,561	S *	3/1990	Lee	.....	D9/415
D309,480	S *	7/1990	Olney	.....	D9/722
D351,342	S *	10/1994	Lee et al.	.....	D9/415
D371,071	S *	6/1996	Ford	.....	D9/415
D383,385	S	9/1997	Hayduk et al.		
5,875,893	A *	3/1999	Lee et al.	.....	206/463

D484,044	S *	12/2003	Milan	.....	D9/415
D494,465	S	8/2004	Kyne et al.		
D501,790	S *	2/2005	Feibelman	.....	D9/415
D544,788	S *	6/2007	Brittain	.....	D9/415

\* cited by examiner

*Primary Examiner*—Stella M Reid

*Assistant Examiner*—Thomas J Johannes

(74) *Attorney, Agent, or Firm*—Ronald E. Andermann

(57) **CLAIM**

The ornamental design for a toy package, as shown and described.

**DESCRIPTION**

FIG. 1 is a front and left side perspective view of the toy package, showing my new design;

FIG. 2 is a bottom plan view thereof;

FIG. 3 is a left elevational view thereof;

FIG. 4 is a front elevational view thereof; and,

FIG. 5 is a top plan view thereof.

The broken lines in the figures showing portions of the toy package in FIGS. 1-5 show unclaimed subject matter only and form no part of the claimed design.

**1 Claim, 2 Drawing Sheets**

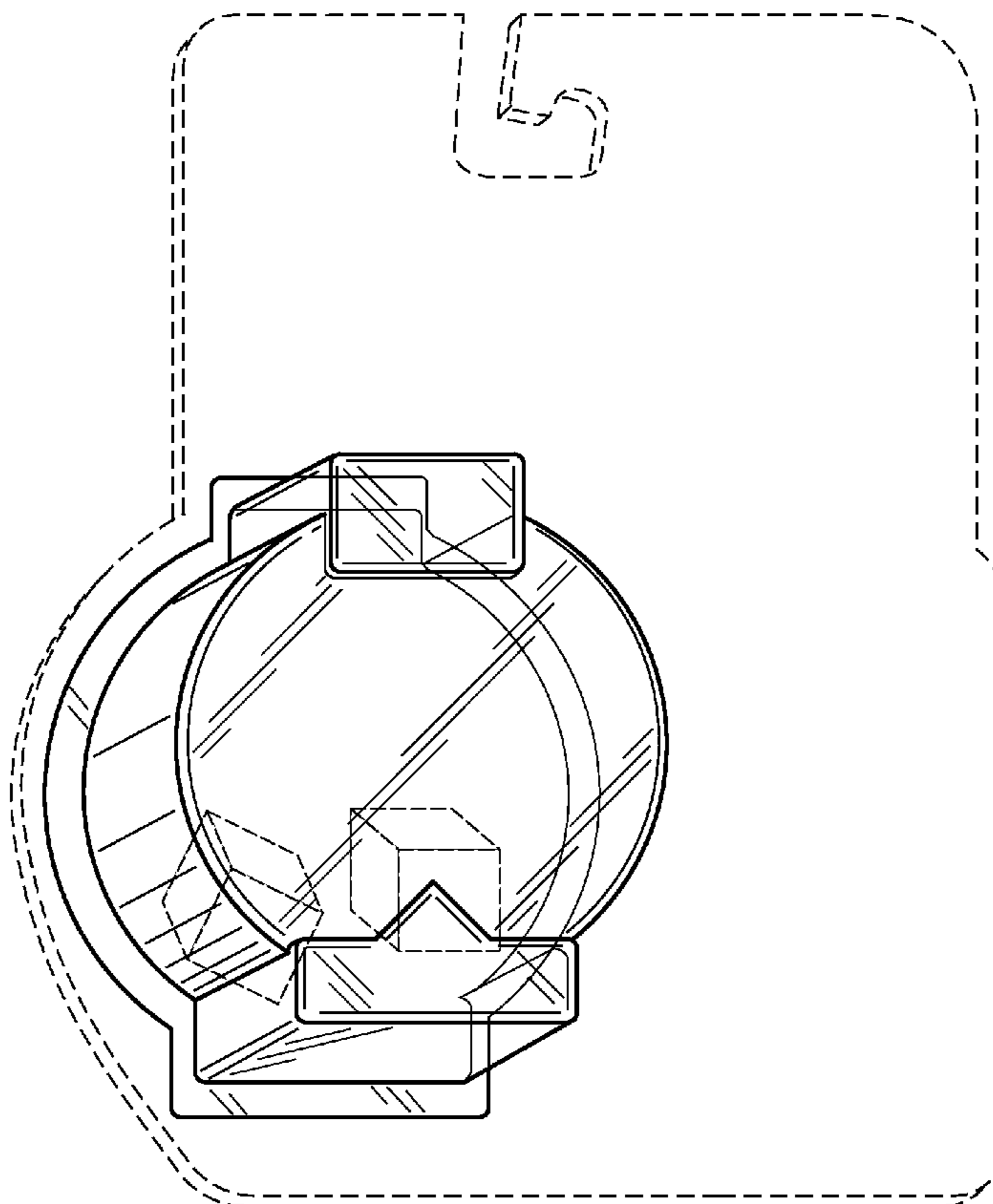


Fig.1

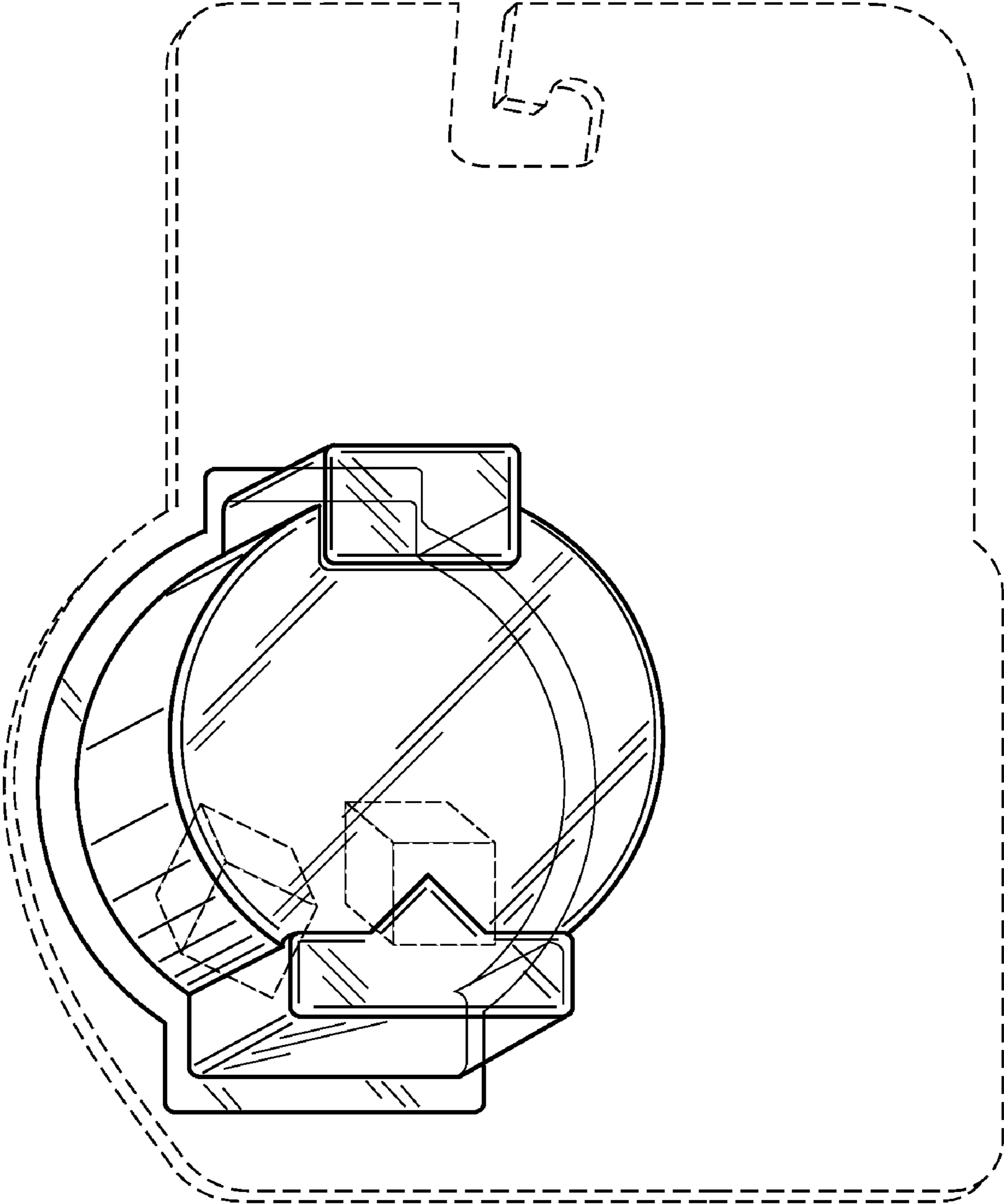


Fig.2

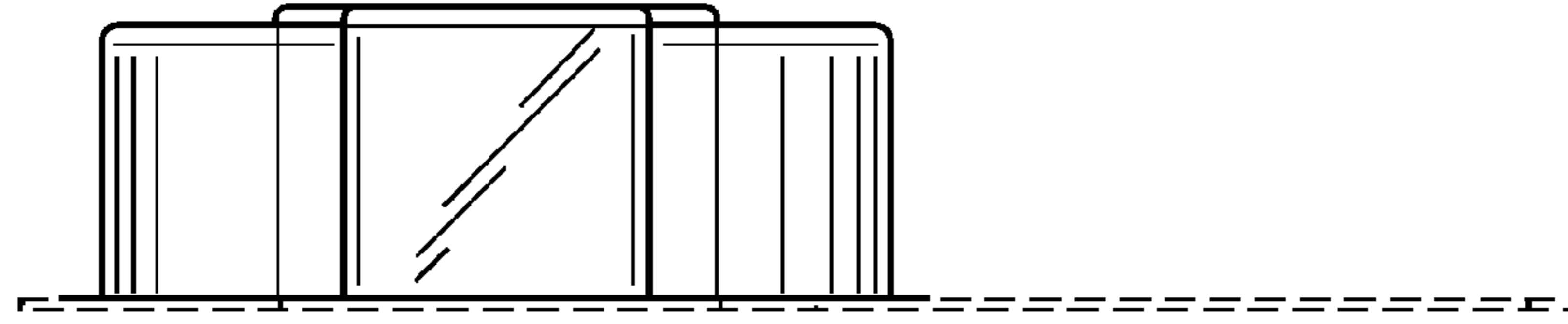


Fig.3

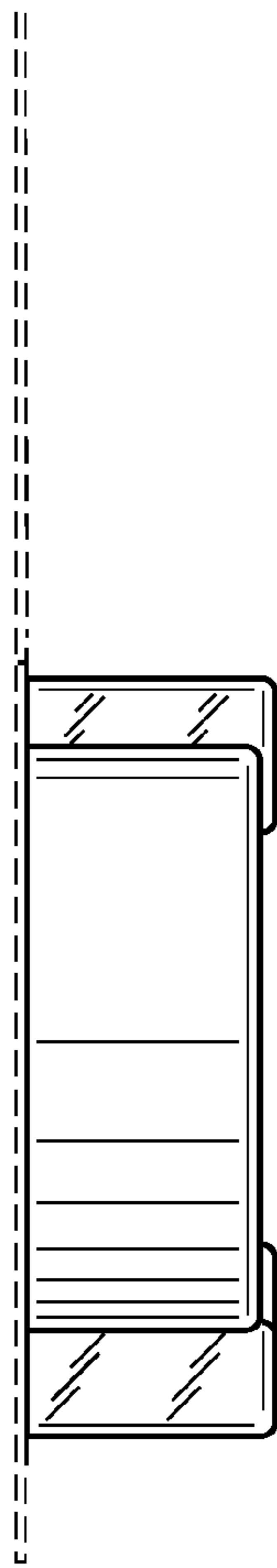


Fig.4

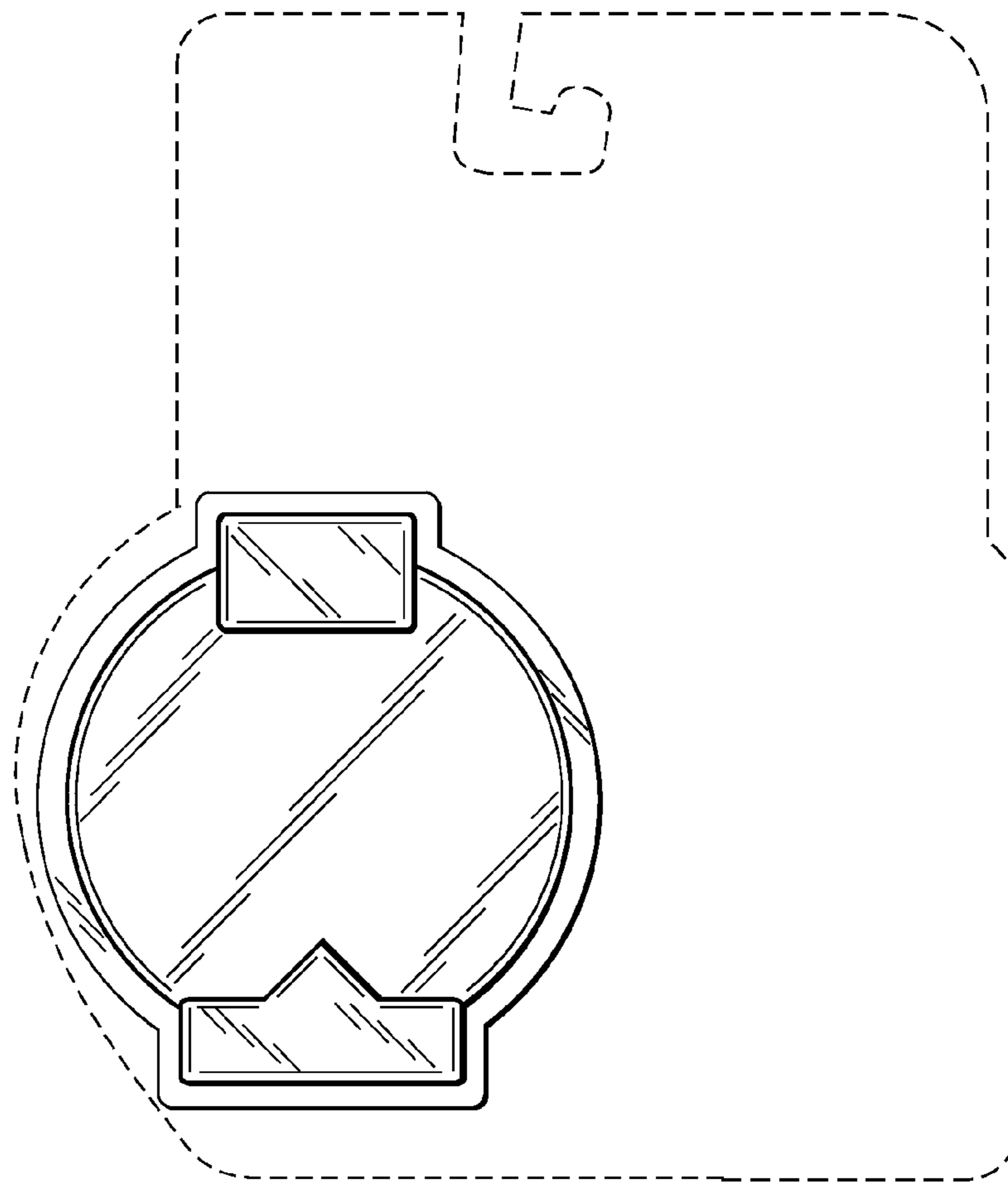


Fig.5

