



US00D629679S

(12) **United States Design Patent**
Riddell et al.

(10) **Patent No.:** **US D629,679 S**

(45) **Date of Patent:** **** Dec. 28, 2010**

(54) **SLOTTED ROOF CLAMP**

(75) Inventors: **Paul A. Riddell**, Castle Rock, CO (US);
Jason T. Nagaki, Castle Rock, CO (US)

(73) Assignee: **Action Manufacturing LLC**,
Englewood, CO (US)

(**) Term: **14 Years**

(21) Appl. No.: **29/364,418**

(22) Filed: **Jun. 23, 2010**

(51) **LOC (9) Cl.** **08-08**

(52) **U.S. Cl.** **D8/394**

(58) **Field of Classification Search** D8/394-396,
D8/72; D19/56, 65; D32/60-64; D28/40;
24/67.3; 269/6, 147, 149; D25/119, 121,
D25/122

See application file for complete search history.

(56) **References Cited**

U.S. PATENT DOCUMENTS

507,776 A	10/1893	Berger et al.	
579,735 A	10/1896	Bower	
1,054,091 A	8/1912	Darnall	
1,330,309 A	3/1919	Dixon	
2,201,320 A	1/1940	Place	
D140,862 S *	4/1945	Conlan	D13/161
D140,863 S *	4/1945	Conlan	D13/178
2,495,083 A *	1/1950	Welch	289/13
2,890,845 A	5/1955	Kiekhaefer	
3,341,909 A *	9/1967	Havener	24/486
3,389,931 A *	6/1968	St John	403/345
4,190,224 A *	2/1980	LeBlanc et al.	248/227.3
4,351,140 A	9/1982	Simpson	
D277,168 S *	1/1985	Clausen et al.	D8/394
4,546,586 A	10/1985	Knudson	
D297,303 S *	8/1988	Finklestein	D8/382
D297,616 S *	9/1988	Doty et al.	D8/395
4,903,929 A	2/1990	Hoffman	
D312,567 S *	12/1990	Gilman	D8/394
D314,503 S *	2/1991	Gilman	D8/394
5,137,243 A *	8/1992	Stevens et al.	248/316.7

5,228,248 A	7/1993	Haddock	
5,271,194 A	12/1993	Drew	
D366,609 S *	1/1996	McDonald	D8/397
5,522,185 A	6/1996	Cline	
D372,420 S *	8/1996	Mendez	D8/383
5,609,326 A	3/1997	Stearns et al.	
5,613,328 A	3/1997	Alley	
D379,299 S *	5/1997	Fitzgibbons	D8/402
5,715,640 A	2/1998	Haddock	
D392,555 S *	3/1998	Glickman et al.	D8/382
5,732,513 A	3/1998	Alley	
D393,201 S *	4/1998	Hearidge et al.	D8/395
D393,417 S *	4/1998	Glickman et al.	D8/382

(Continued)

Primary Examiner—Celia A Murphy

Assistant Examiner—John Windmuller

(74) *Attorney, Agent, or Firm*—Rick Martin; Patent Law
Offices of Rick Martin

(57)

CLAIM

The ornamental design for a slotted roof clamp, as shown and described

DESCRIPTION

FIG. 1 is a front perspective view of a slotted roof clamp showing our new design in use on a roof;

FIG. 2 is a front elevational view thereof, the rear elevational view being identical;

FIG. 3 is a left side elevational view thereof;

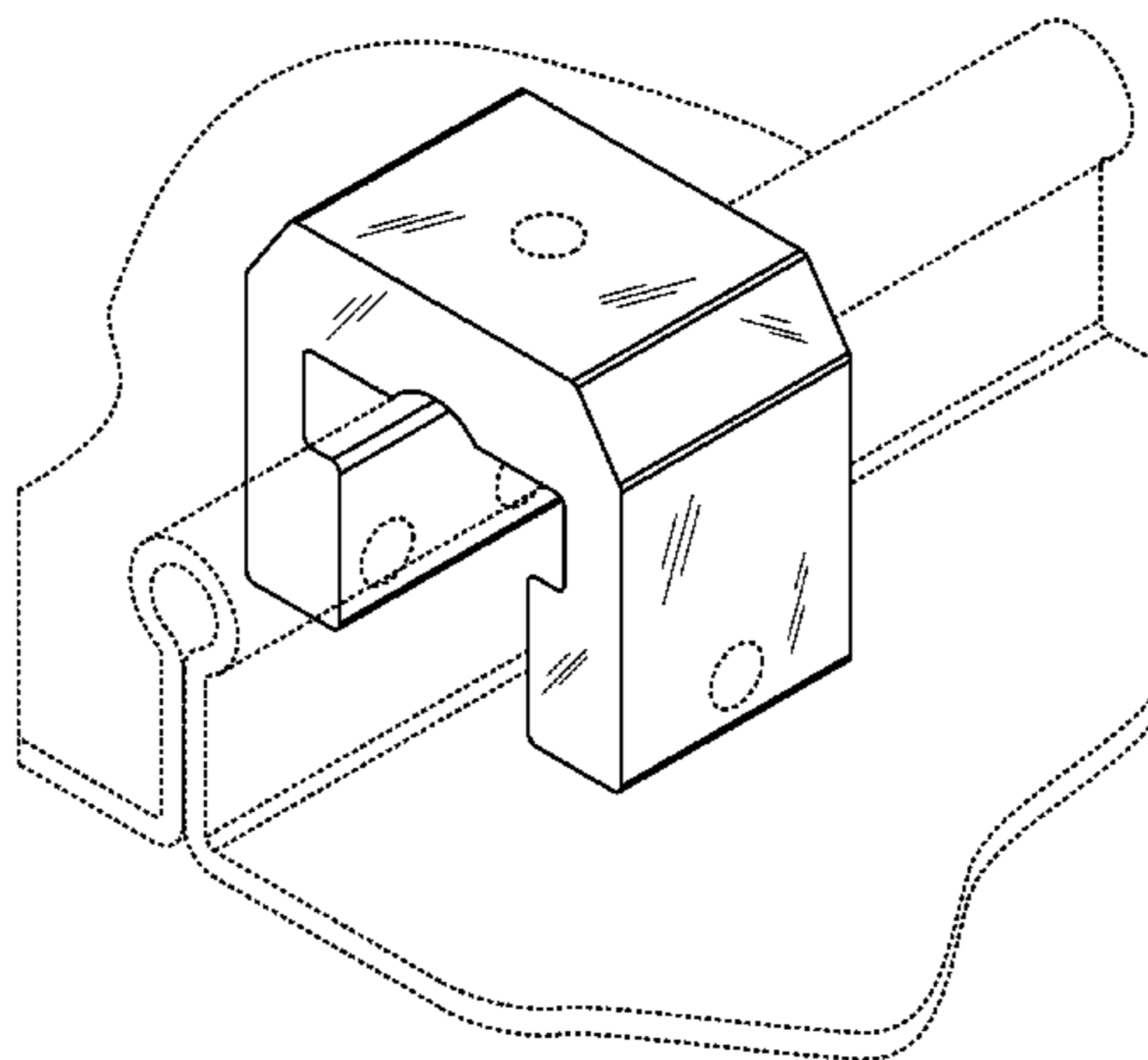
FIG. 4 is a top plan view thereof;

FIG. 5 is a bottom plan view thereof; and,

FIG. 6 is a right side elevational view thereof.

The broken line showing of circles in the figures depicts portions of the clamp that form no part of the claimed design. The broken line showing of a portion of a roof in FIG. 1 depicts environmental subject matter only and forms no part of the claimed design.

1 Claim, 3 Drawing Sheets



US D629,679 S

Page 2

U.S. PATENT DOCUMENTS

5,983,588	A	11/1999	Haddock	6,718,718	B2	4/2004	Haddock
6,164,033	A	12/2000	Haddock	6,725,623	B1 *	4/2004	Riddell et al. 52/750
6,233,900	B1	5/2001	Gill	6,834,466	B2	12/2004	Trevorrow et al.
6,385,914	B2	5/2002	Alley	D513,171	S *	12/2005	Richardson D8/394
6,443,402	B1 *	9/2002	Ferrill et al. 248/65	7,013,612	B2	3/2006	Haddock
6,470,629	B1	10/2002	Haddock	7,100,338	B2	9/2006	Haddock
6,494,411	B1 *	12/2002	Bjorklund 248/49	D543,841	S *	6/2007	Heindl et al. D8/382
6,499,259	B1	12/2002	Hockman	D544,565	S *	6/2007	Campbell et al. D22/110
D471,794	S *	3/2003	Wall D8/382	D551,528	S *	9/2007	Vautour et al. D8/72
D476,555	S *	7/2003	Niwa D8/395	7,386,922	B1	6/2008	Taylor et al.
D479,797	S *	9/2003	Wall D8/382	D606,379	S *	12/2009	Hughes D8/72
D483,650	S *	12/2003	Squillante et al. D8/349	2009/0080097	A1 *	3/2009	Bring et al. 359/871
6,688,047	B1	2/2004	McNichol	2010/0058701	A1	3/2010	Yao et al.

* cited by examiner

Fig 1

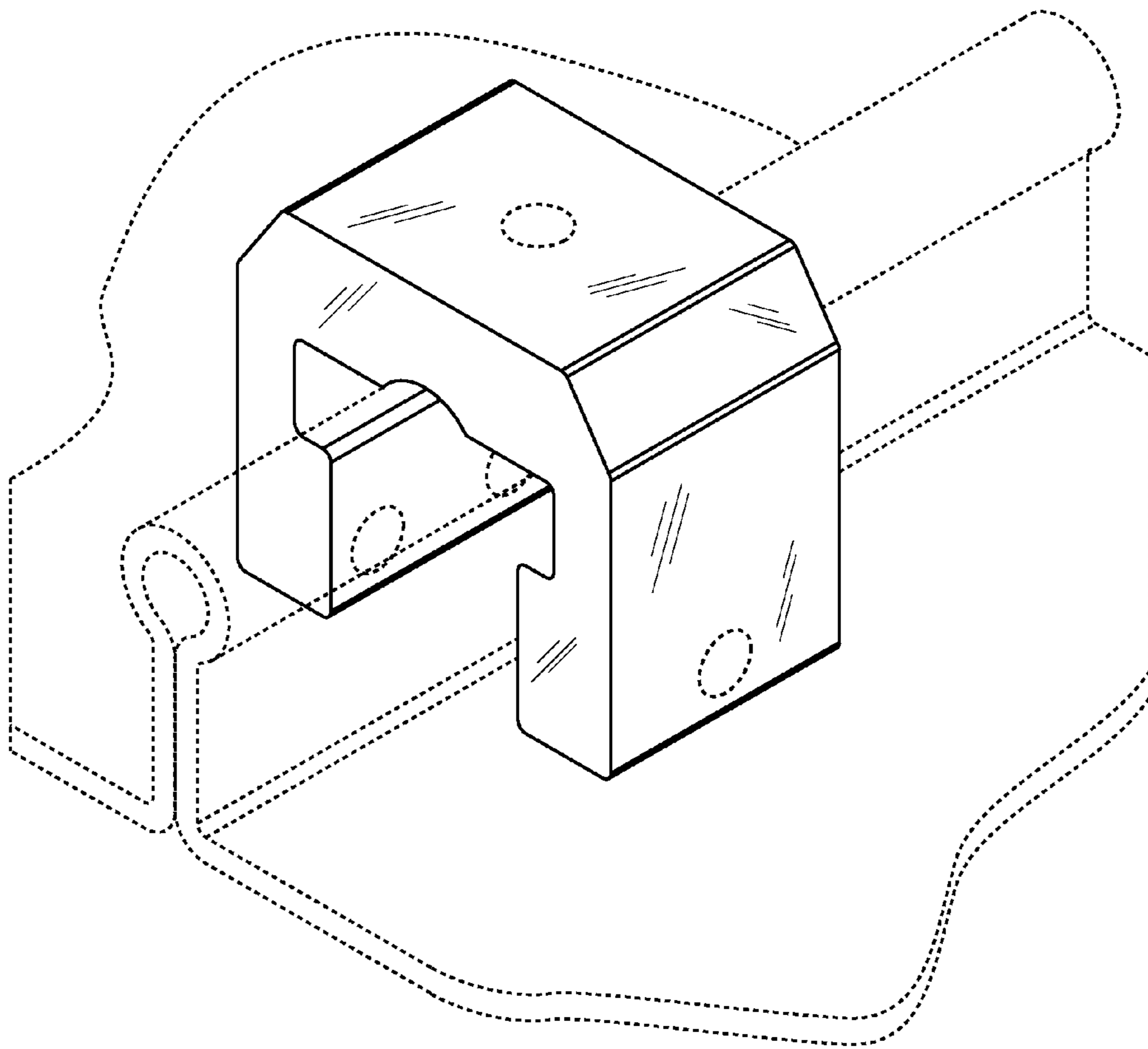


Fig 2

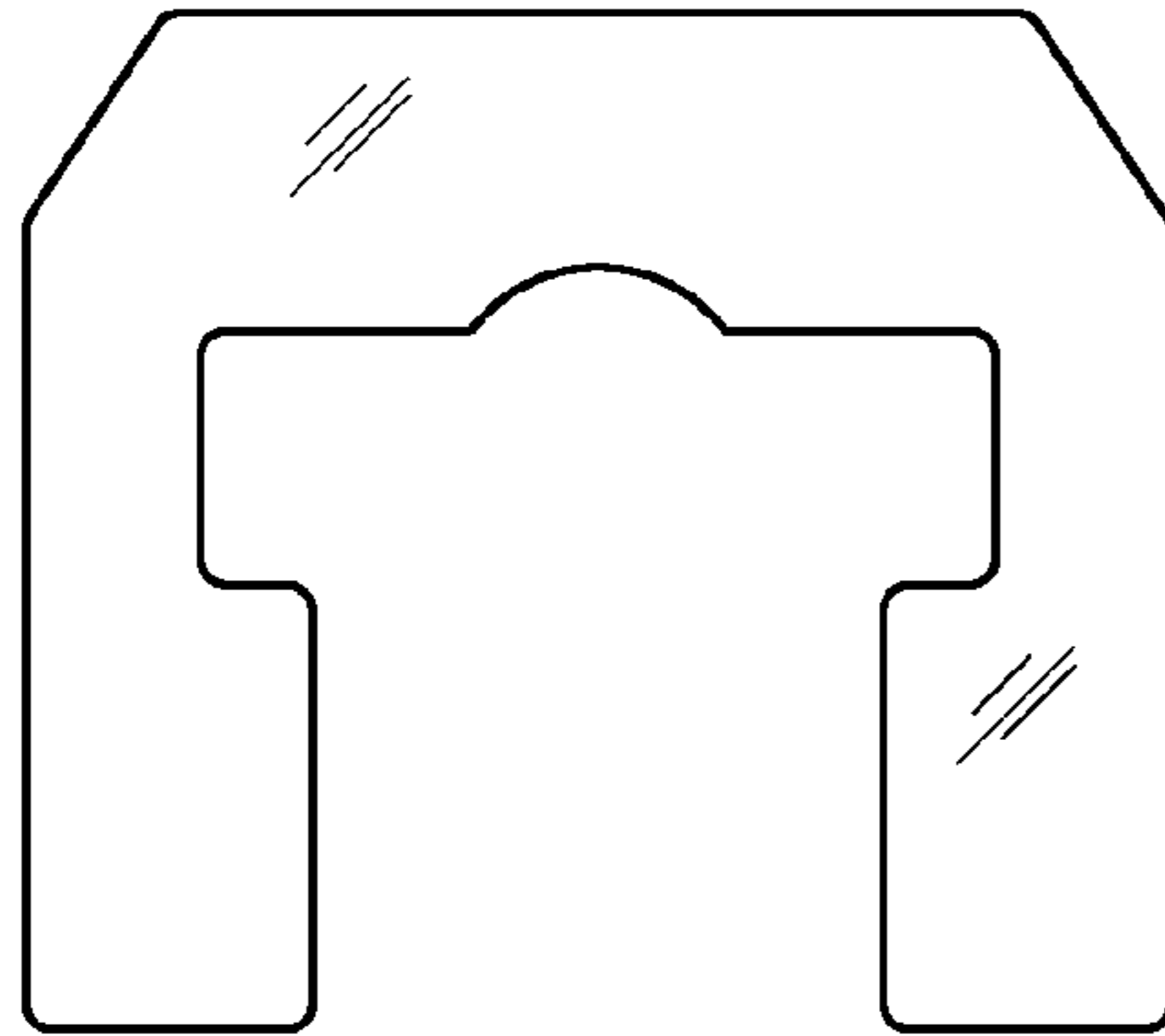


Fig 3

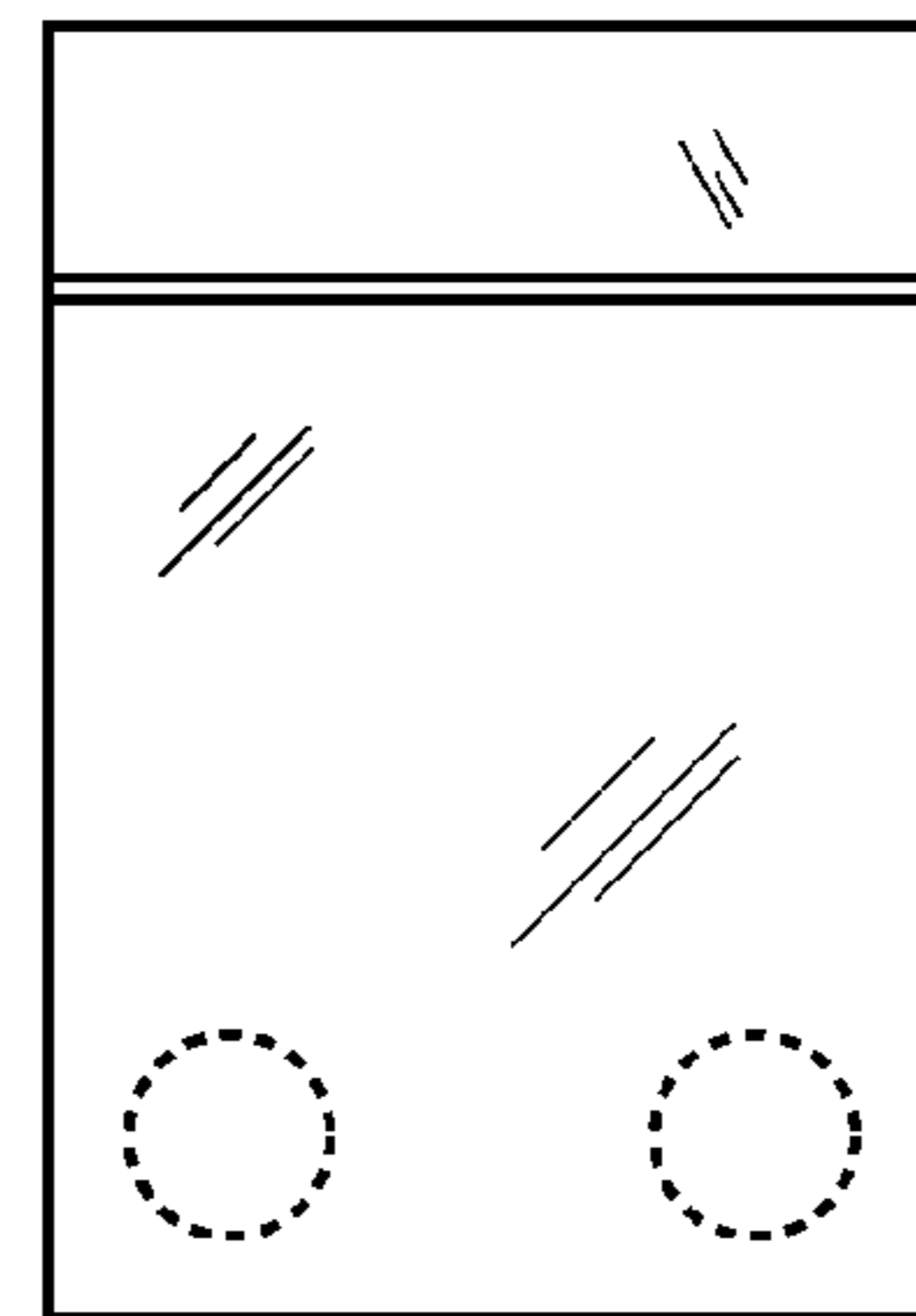


Fig 4

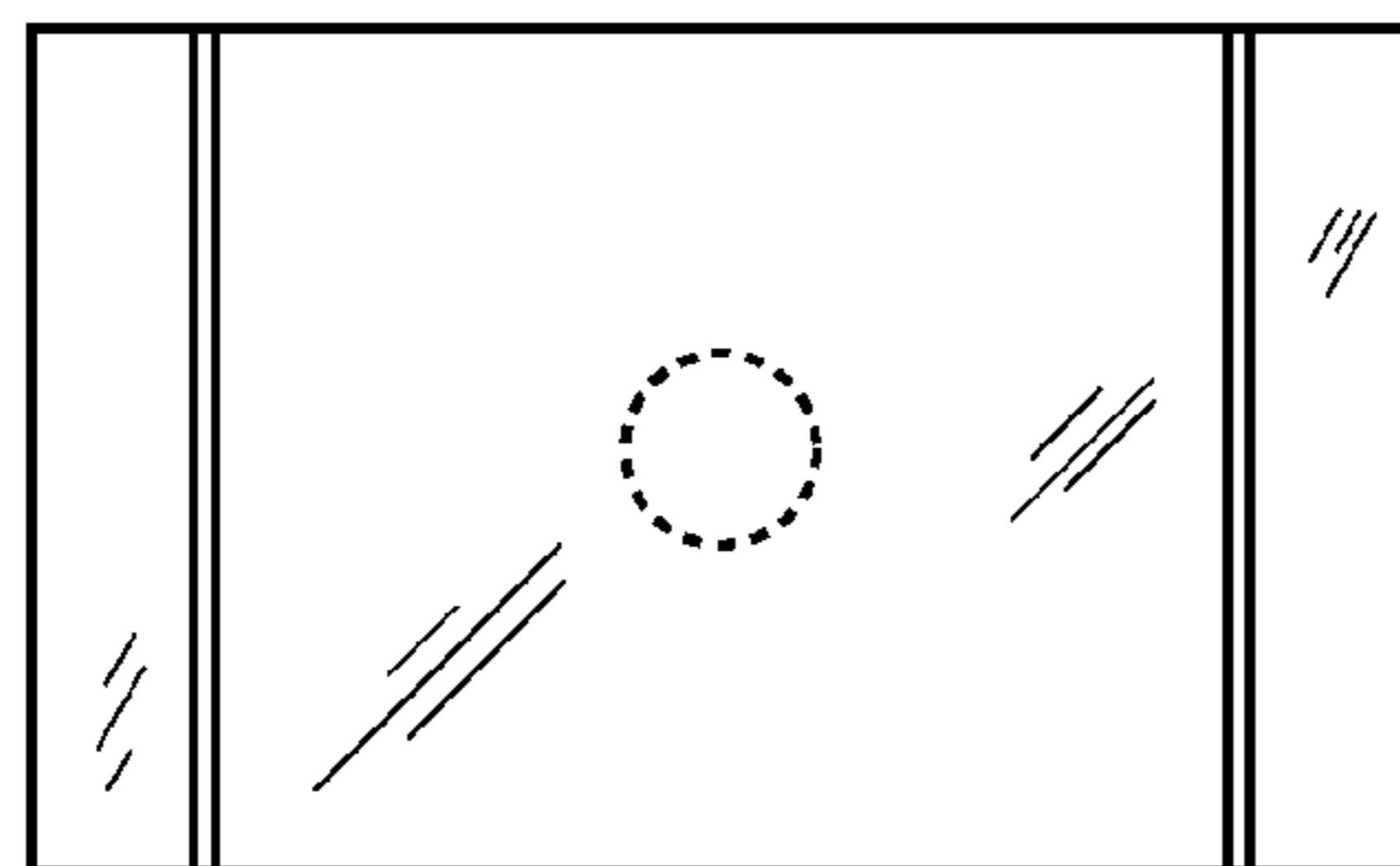


Fig 5

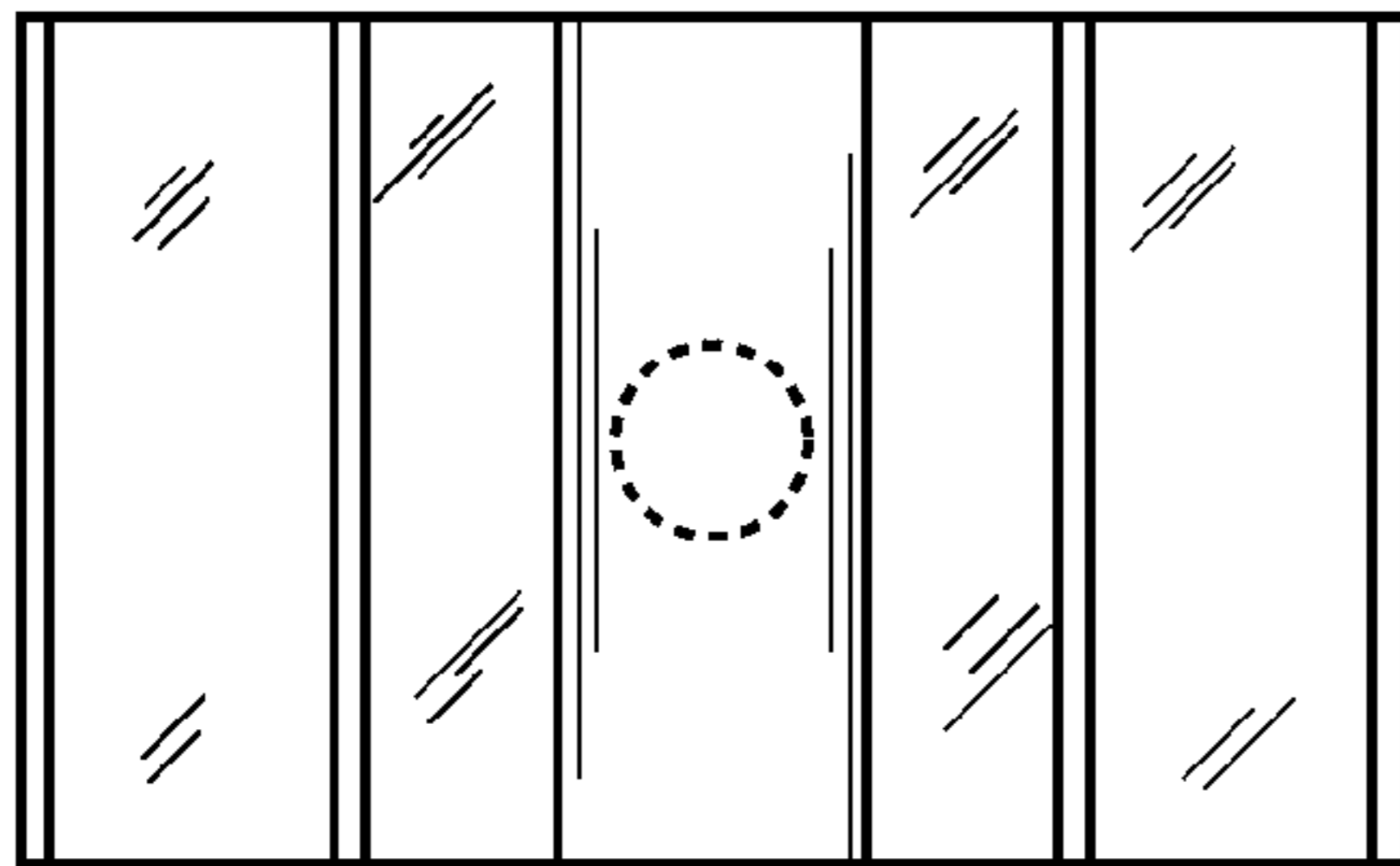


Fig 6

