



US00D629676S

(12) **United States Design Patent**  
**Langley et al.**

(10) **Patent No.:** **US D629,676 S**

(45) **Date of Patent:** **\*\* \*Dec. 28, 2010**

- (54) **MULTI-LEVEL DISPLAY HOOK**
- (75) Inventors: **Robert E. Langley**, Kansas City, MO (US); **Leonard Thompson**, Independence, MO (US)
- (73) Assignee: **Hallmark Cards Incorporated**, Kansas City, MO (US)
- (\*) Notice: This patent is subject to a terminal disclaimer.
- (\*\*) Term: **14 Years**
- (21) Appl. No.: **29/339,524**
- (22) Filed: **Jul. 1, 2009**

**Related U.S. Application Data**

- (63) Continuation of application No. 12/343,214, filed on Dec. 23, 2008.

- (51) **LOC (9) Cl.** ..... **08-05**
- (52) **U.S. Cl.** ..... **D8/372; D8/370**
- (58) **Field of Classification Search** ..... D8/363, D8/370, 372; 211/57.1, 59.1; 248/220.31, 248/220.41, 220.43, 551  
See application file for complete search history.

(56) **References Cited**

**U.S. PATENT DOCUMENTS**

|              |         |             |       |        |
|--------------|---------|-------------|-------|--------|
| D32,690 S *  | 5/1900  | Kincey      | ..... | D8/363 |
| 973,570 A    | 10/1910 | Schwartzman |       |        |
| D75,598 S *  | 6/1928  | Priest      | ..... | D7/363 |
| D117,501 S * | 11/1939 | Schneider   | ..... | D20/43 |
| 2,959,879 A  | 11/1960 | Joseph      |       |        |
| 3,507,064 A  | 4/1970  | Hammero     |       |        |
| 3,645,485 A  | 2/1972  | Gold        |       |        |
| 4,027,799 A  | 6/1977  | Stucker     |       |        |
| 4,245,414 A  | 1/1981  | Shypula     |       |        |
| 4,365,433 A  | 12/1982 | Buell       |       |        |
| 4,475,659 A  | 10/1984 | Wells       |       |        |

|                 |         |                |       |          |
|-----------------|---------|----------------|-------|----------|
| 4,516,682 A     | 5/1985  | Bell           |       |          |
| 4,540,093 A *   | 9/1985  | Merl et al.    | ..... | 211/59.1 |
| 4,616,753 A *   | 10/1986 | Aslan          | ..... | 211/57.1 |
| 5,441,161 A *   | 8/1995  | Merl           | ..... | 211/57.1 |
| 5,597,150 A *   | 1/1997  | Stein et al.   | ..... | 248/551  |
| 5,690,238 A     | 11/1997 | Schmehr        |       |          |
| 5,934,489 A     | 8/1999  | Dusel          |       |          |
| 6,059,124 A     | 5/2000  | Weck           |       |          |
| 6,209,831 B1    | 4/2001  | Kiplinger      |       |          |
| 6,502,706 B1    | 1/2003  | Kent           |       |          |
| 6,968,959 B1    | 11/2005 | Garvin         |       |          |
| D518,364 S *    | 4/2006  | DeBiasio, Jr.  | ..... | D8/370   |
| 7,219,806 B1    | 5/2007  | Morrow         |       |          |
| D555,462 S *    | 11/2007 | Moffitt et al. | ..... | D8/370   |
| 2007/0119796 A1 | 5/2007  | Barkdoll       |       |          |

\* cited by examiner

*Primary Examiner*—Holly H Baynham  
(74) *Attorney, Agent, or Firm*—Shook, Hardy & Bacon, L.L.P.

(57) **CLAIM**

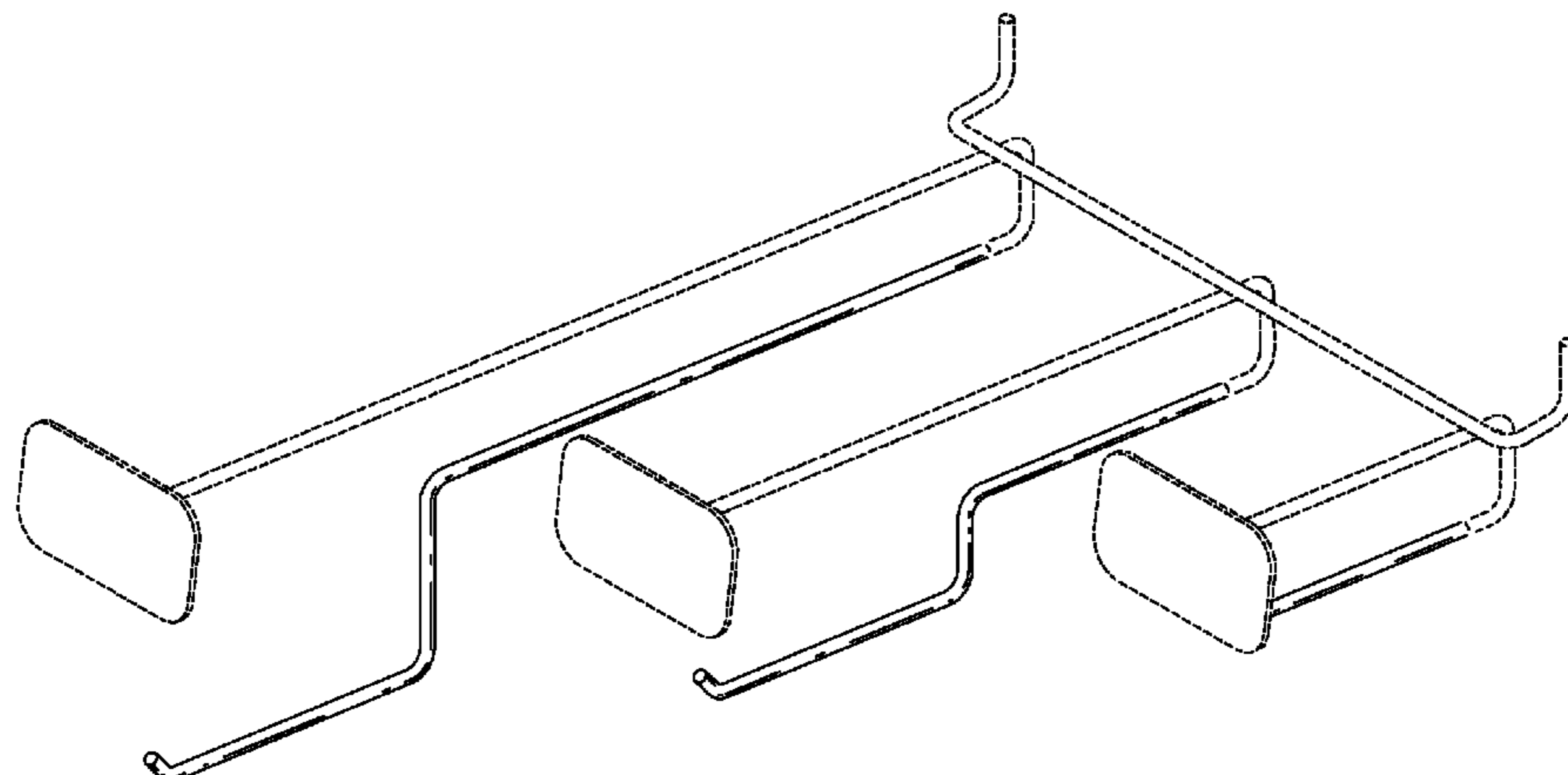
The ornamental design for a multi-level display hook, as shown and described.

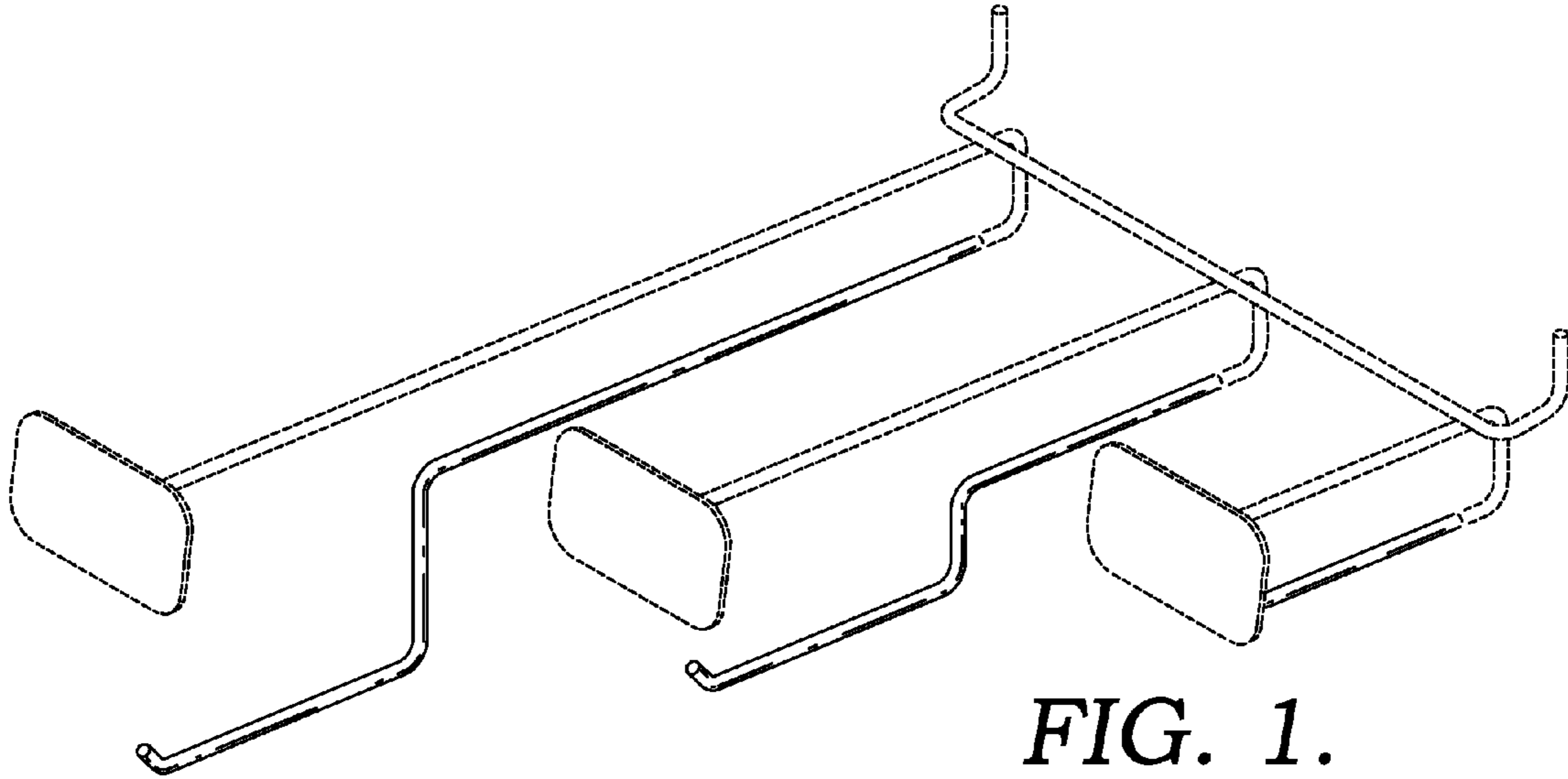
**DESCRIPTION**

FIG. 1 is a top front perspective view;  
FIG. 2 is a front side elevational view thereof;  
FIG. 3 is a right side elevational view thereof;  
FIG. 4 is a left side elevational view thereof;  
FIG. 5 is a bottom plan view thereof;  
FIG. 6 is a top plan view thereof; and,  
FIG. 7 is a back side elevational view thereof.

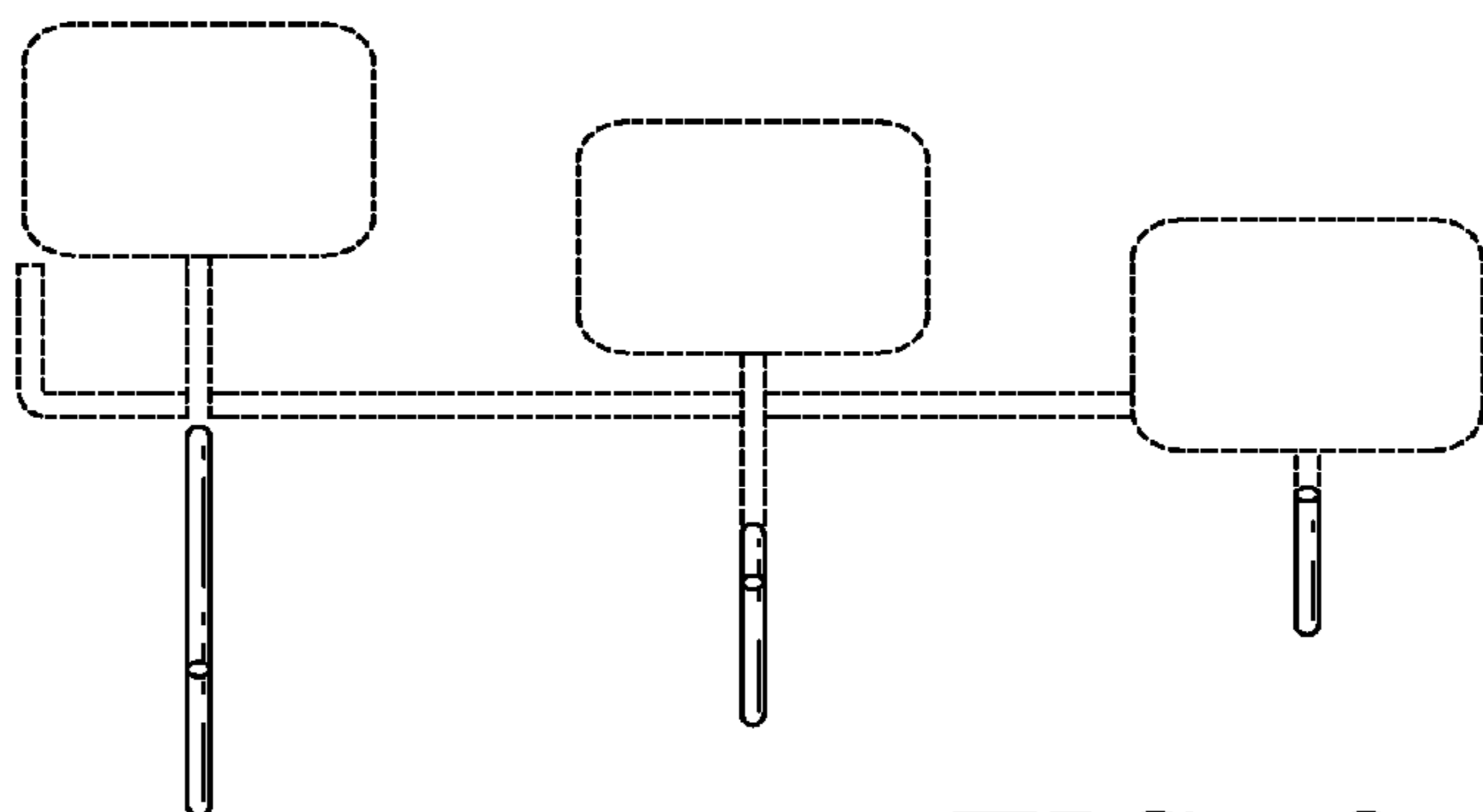
The broken lines immediately adjacent the shaded areas represent the bounds of the claim and all other broken lines are for illustrative purposes only. None of the broken lines form a part of the claimed design.

**1 Claim, 3 Drawing Sheets**

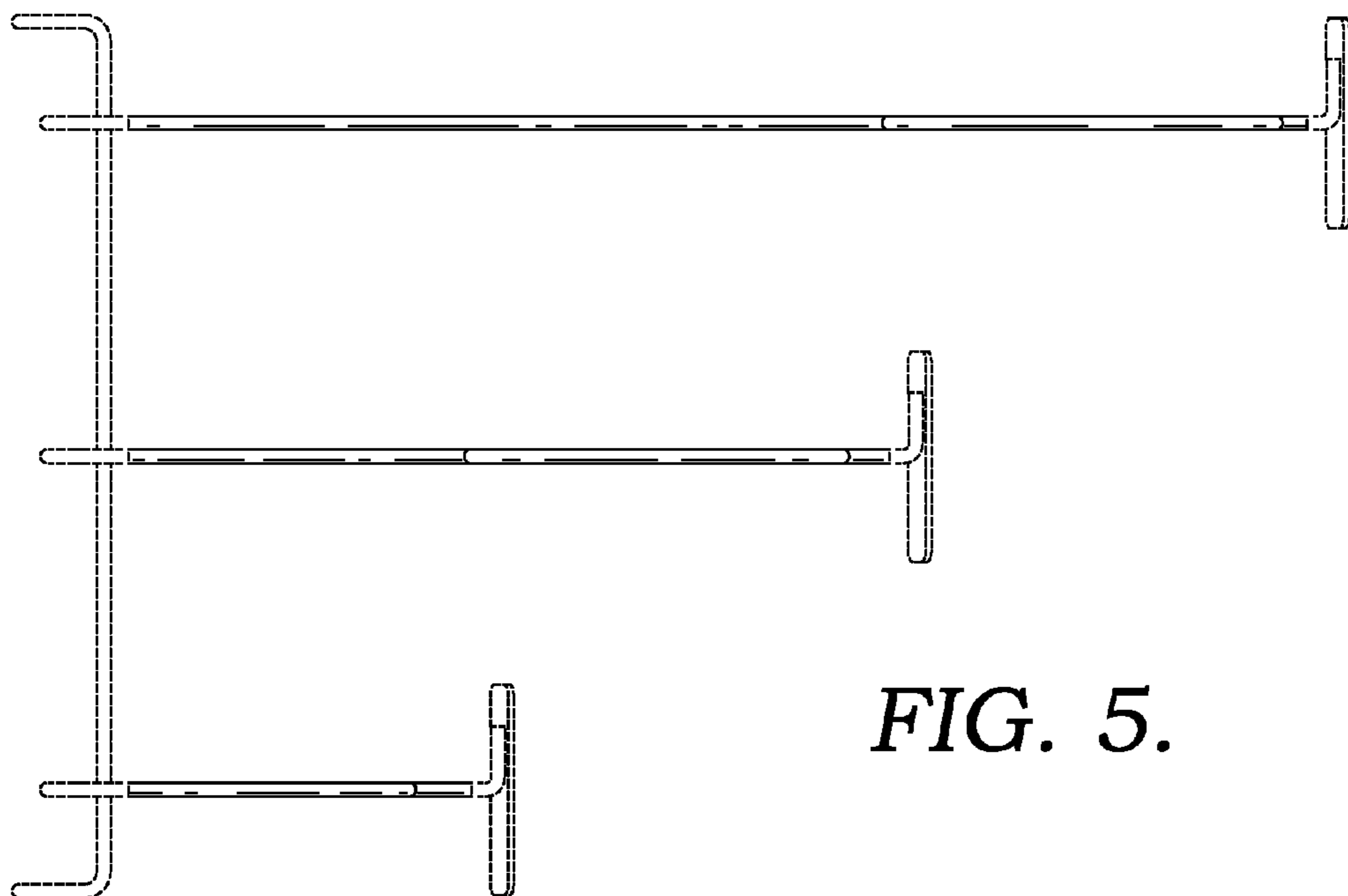
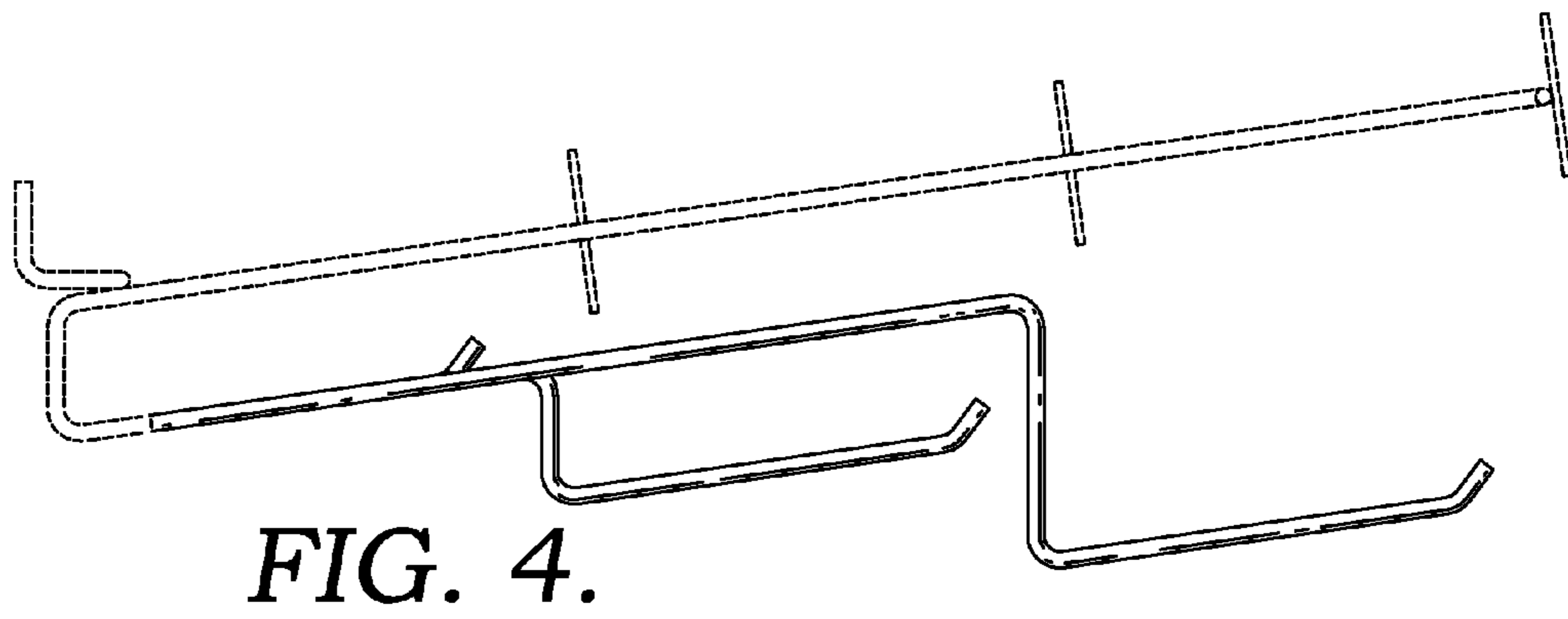
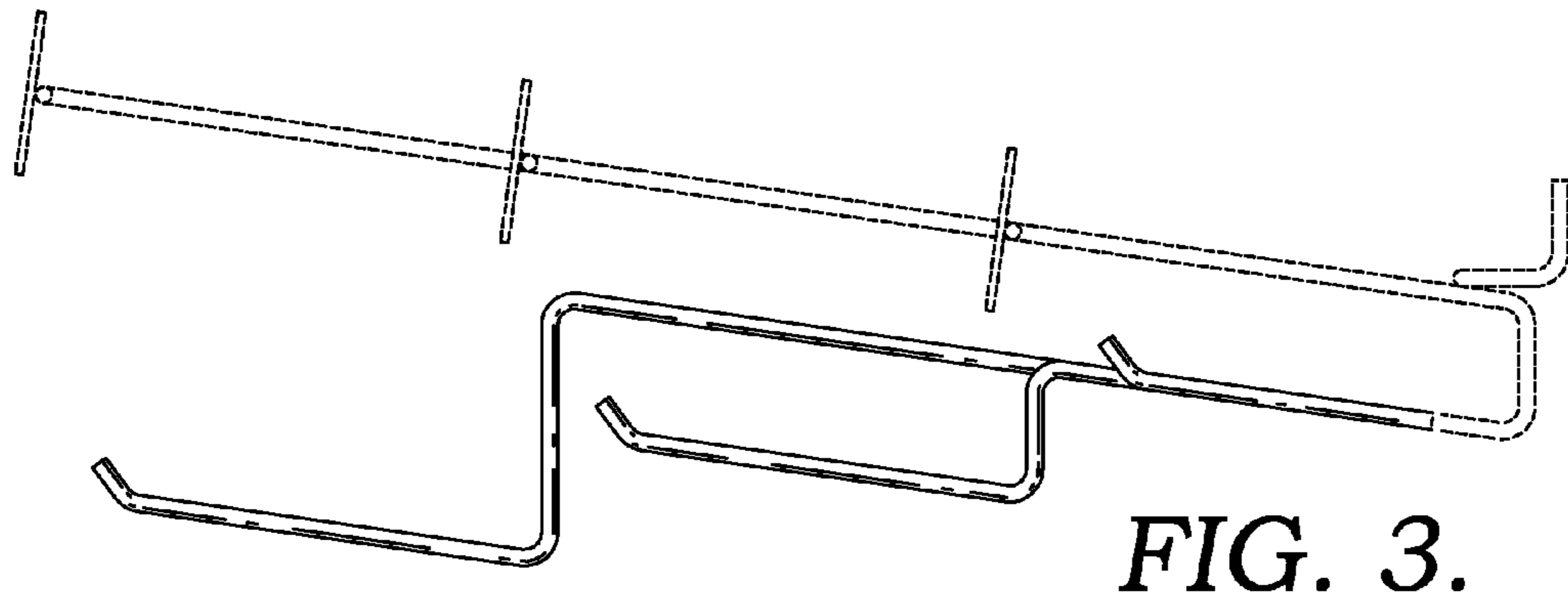


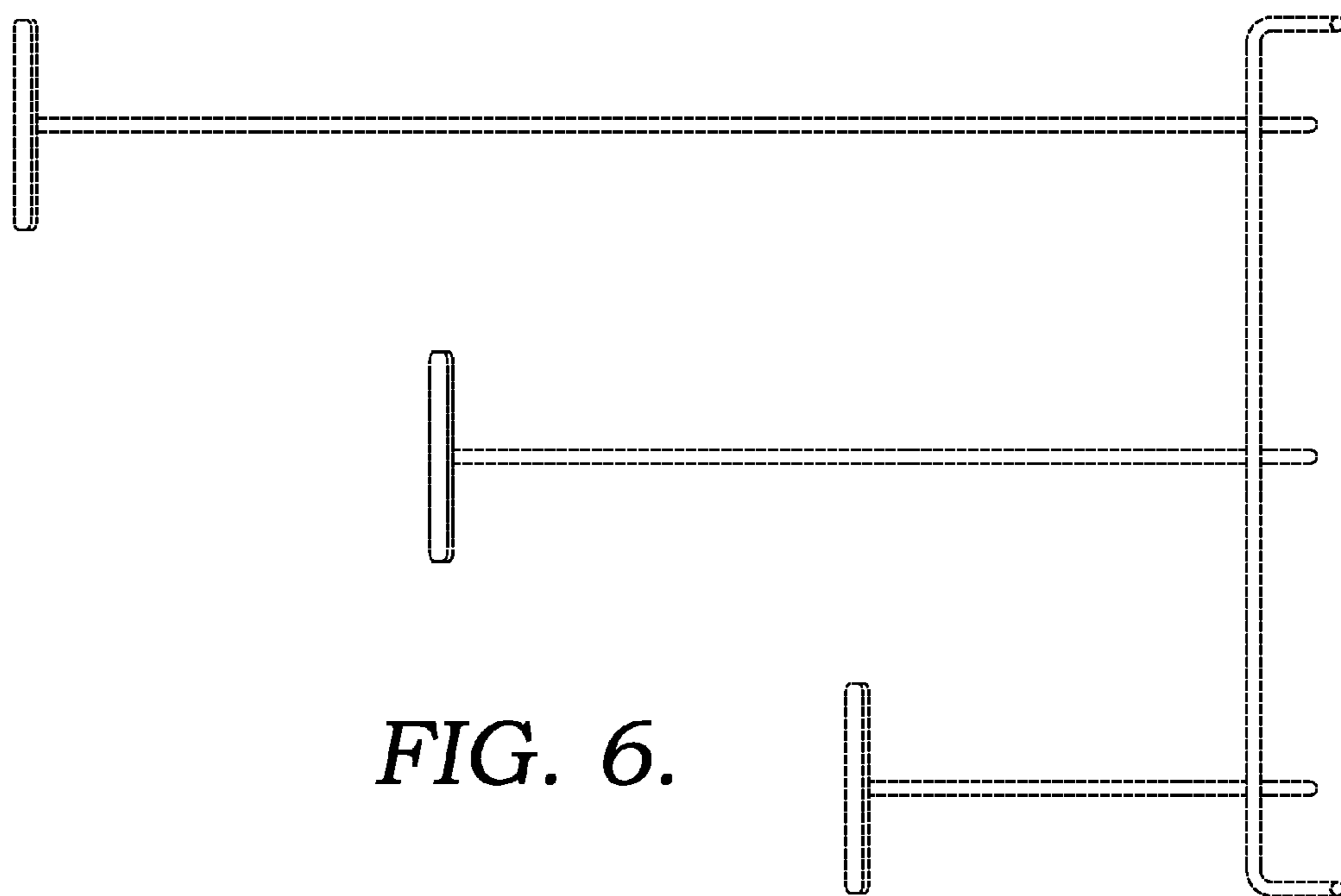


*FIG. 1.*

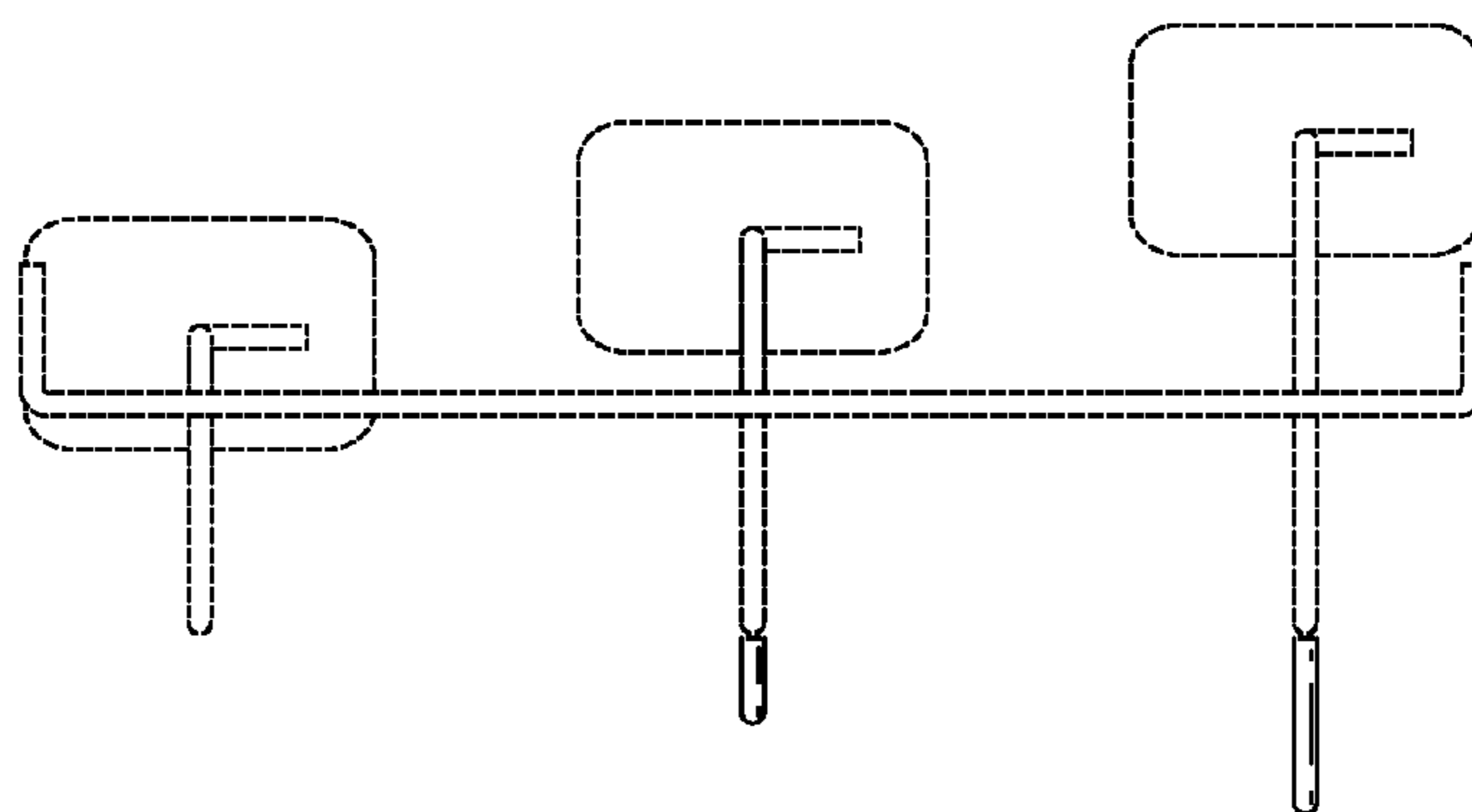


*FIG. 2.*





*FIG. 6.*



*FIG. 7.*