



US00D629671S

(12) **United States Design Patent**  
**Ohori et al.**

(10) **Patent No.:** **US D629,671 S**  
(45) **Date of Patent:** **\*\* Dec. 28, 2010**

(54) **CORD WINDING HOLDER**

(75) Inventors: **Taira Ohori**, Tokyo (JP); **Hisaya Hagiwara**, Kanagawa (JP)

(73) Assignee: **Kabushiki Kaisha Audio-Technica**, Tokyo (JP)

(\*\*) Term: **14 Years**

(21) Appl. No.: **29/346,682**

(22) Filed: **Nov. 4, 2009**

(30) **Foreign Application Priority Data**

Oct. 9, 2009 (JP) ..... 2009-023741

(51) **LOC (9) Cl.** ..... **08-08**

(52) **U.S. Cl.** ..... **D8/356**

(58) **Field of Classification Search** ..... D8/105, D8/107, 333, 349, 354, 356, 358, 360, 360.1, D8/367, 372, 373, 382, 383, 394-396, 400; D13/133, 139.4, 153, 155; 24/18, 20 W, 24/23 W, 115 R, 129 C, 130, 131 R, 197, 24/561; 52/220.7; 174/72 A, 100, 135, 153 G, 174/650, 656; 211/86.01, 87.01, 94.01; 242/400.1, 242/405.1, 405.2, 600, 603; 248/65, 74.1-74.4, 248/201, 214, 215, 229.26

See application file for complete search history.

(56) **References Cited**

**U.S. PATENT DOCUMENTS**

546,084 A \* 9/1895 Webb ..... 280/184  
599,346 A \* 2/1898 McCoy ..... 248/65  
2,083,177 A \* 6/1937 Wimmenauer ..... 36/59 R  
2,229,935 A \* 1/1941 Powers ..... 24/131 R  
2,436,935 A \* 3/1948 Ohler ..... 24/18  
2,533,341 A \* 12/1950 Alfano ..... 242/388

3,022,586 A \* 2/1962 Towne ..... 37/458  
3,289,260 A \* 12/1966 Buscall, Jr. .... 24/129 R  
3,398,714 A \* 8/1968 Kock et al. .... 37/458  
D265,381 S \* 7/1982 Borja ..... D8/395  
D317,571 S \* 6/1991 Henriksson ..... D9/443  
D382,190 S \* 8/1997 Blackston et al. .... D8/107  
D390,447 S \* 2/1998 Colen, Jr. .... D8/356  
D484,035 S \* 12/2003 Smith-Kielland et al. .... D8/394  
7,077,693 B1 \* 7/2006 Symons ..... 439/501  
D556,019 S \* 11/2007 Symons ..... D8/356  
D596,927 S \* 7/2009 Ting ..... D8/356  
7,610,661 B2 \* 11/2009 Sween et al. .... 24/129 R  
2005/0172459 A1 \* 8/2005 Ryan et al. .... 24/115 R

\* cited by examiner

*Primary Examiner*—Robert M Spear

*Assistant Examiner*—Karen Acker

(74) *Attorney, Agent, or Firm*—Whitham Curtis Christofferson & Cook, PC

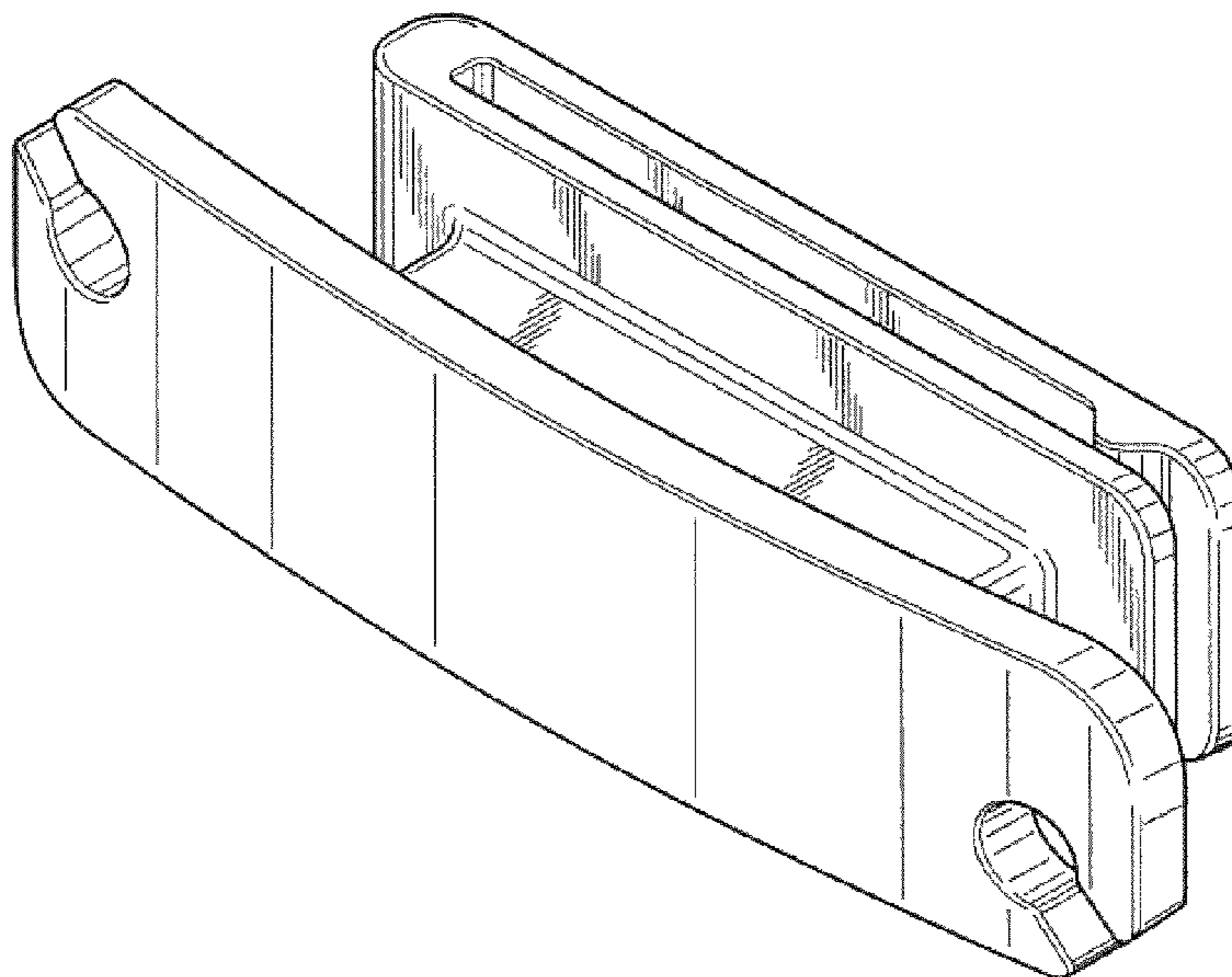
(57) **CLAIM**

We claim the ornamental design for a cord winding holder, as shown and described.

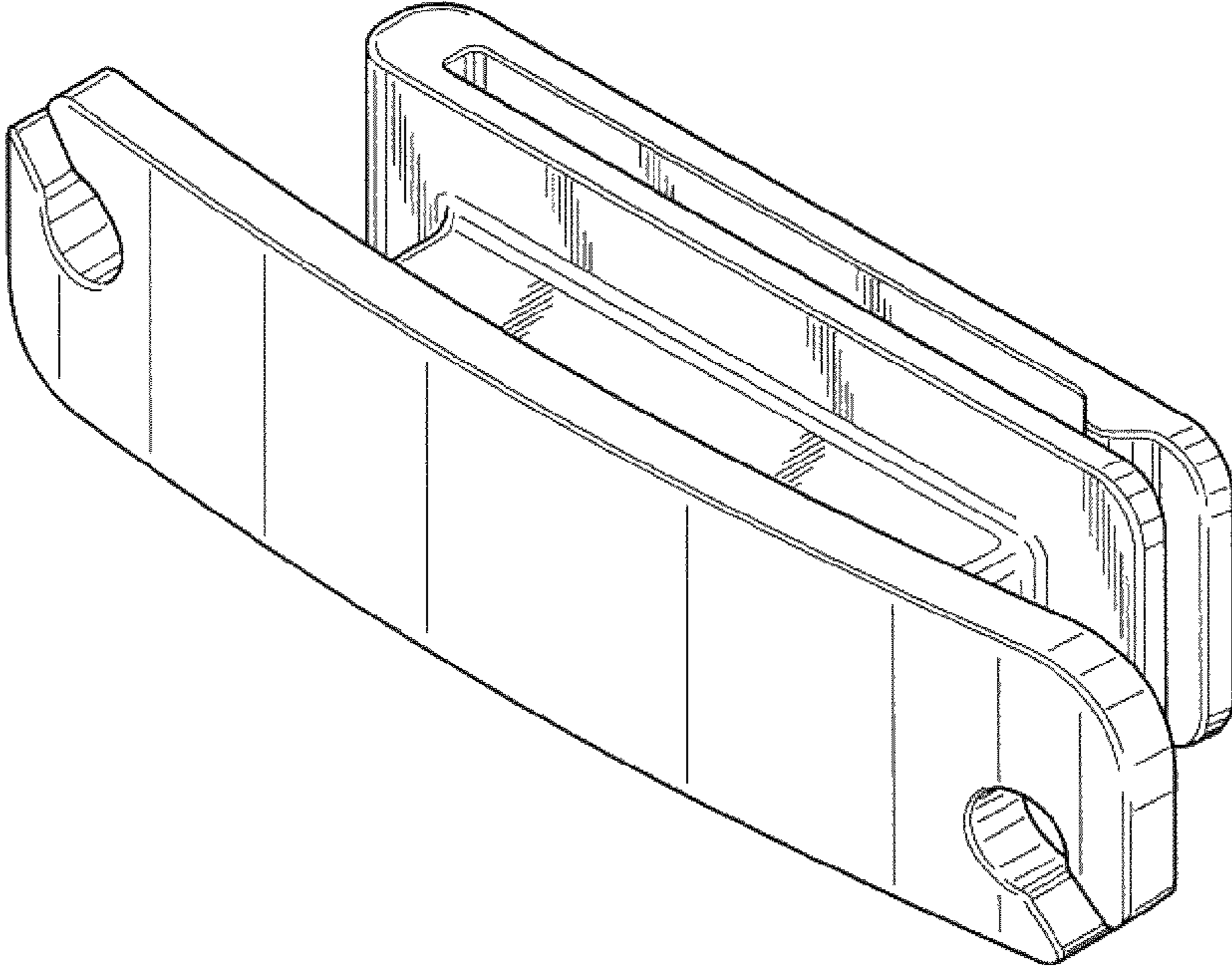
**DESCRIPTION**

FIG. 1 is a perspective view of the cord winding holder;  
FIG. 2 is a front elevational view of the cord winding holder;  
FIG. 3 is a rear elevational view of the cord winding holder;  
FIG. 4 is a top plan view of the cord winding holder;  
FIG. 5 is a bottom plan view of the cord winding holder;  
FIG. 6 is a right side elevational view of the cord winding holder; and,  
FIG. 7 is a left side elevational view of the cord winding holder.

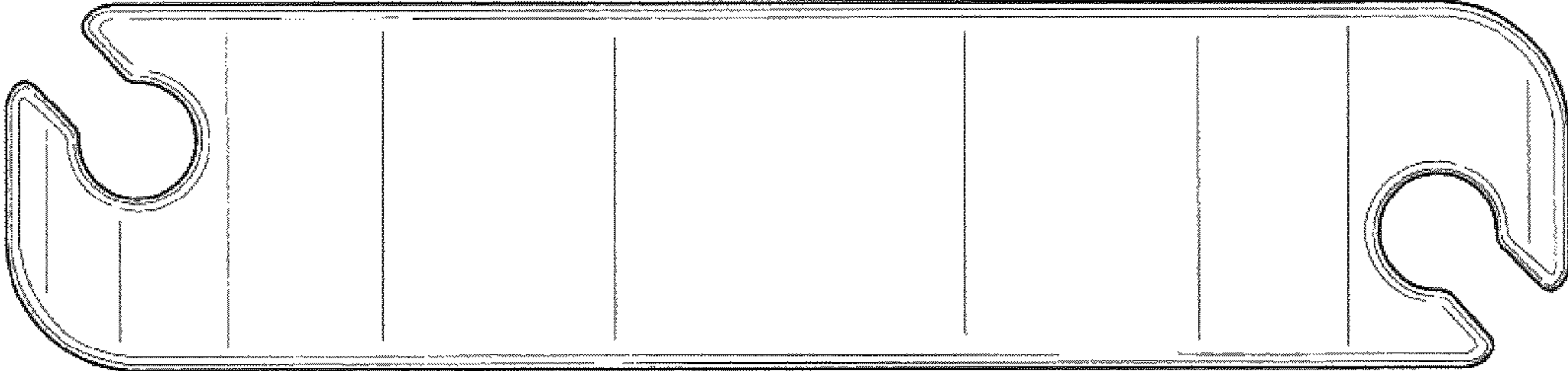
**1 Claim, 2 Drawing Sheets**



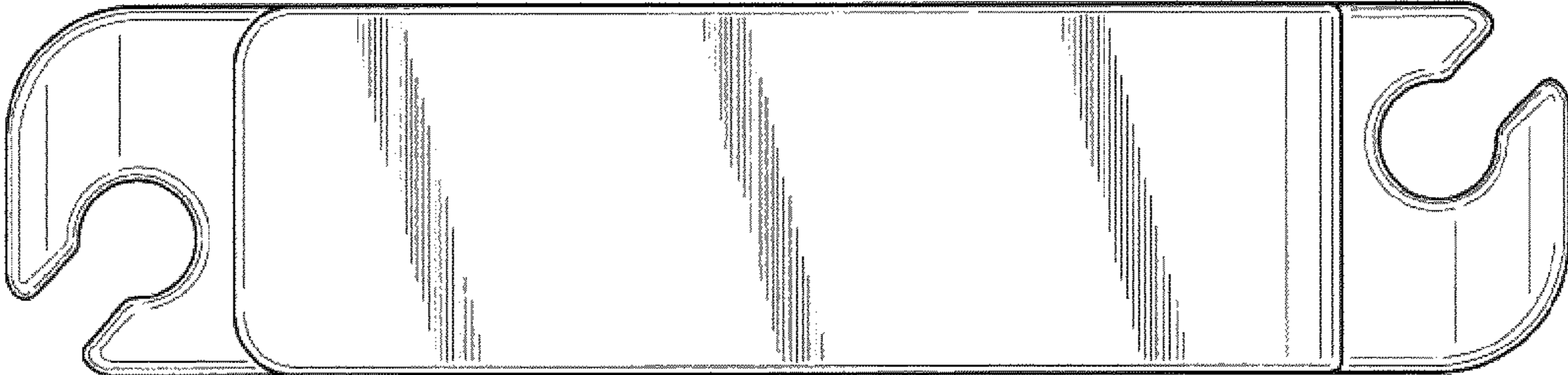
**FIG. 1**



**FIG. 2**

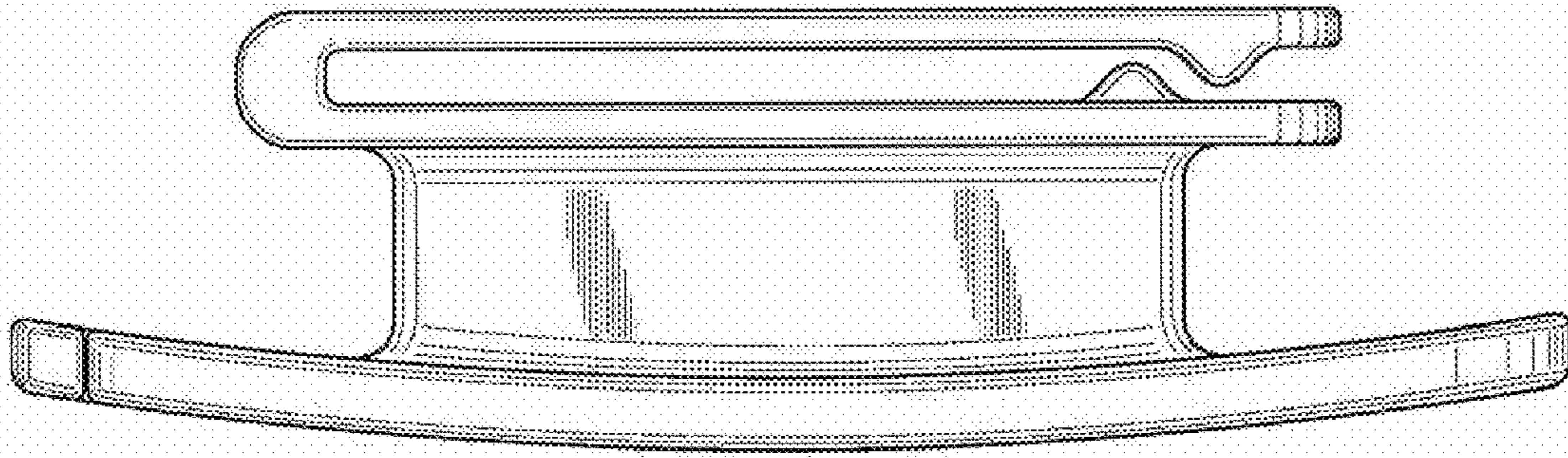


**FIG. 3**

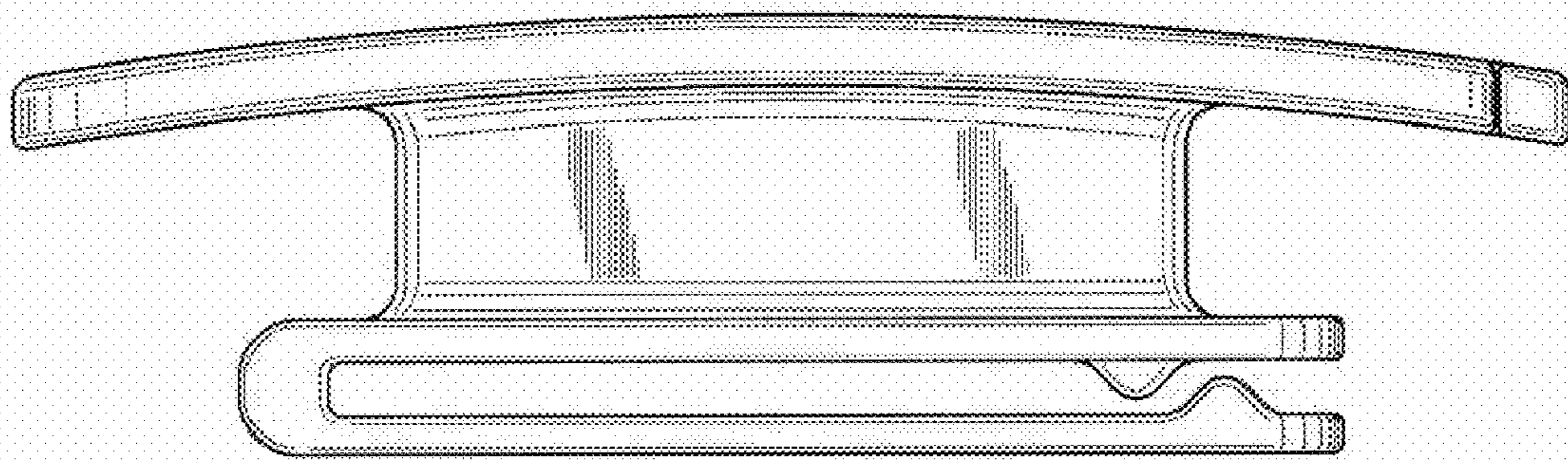




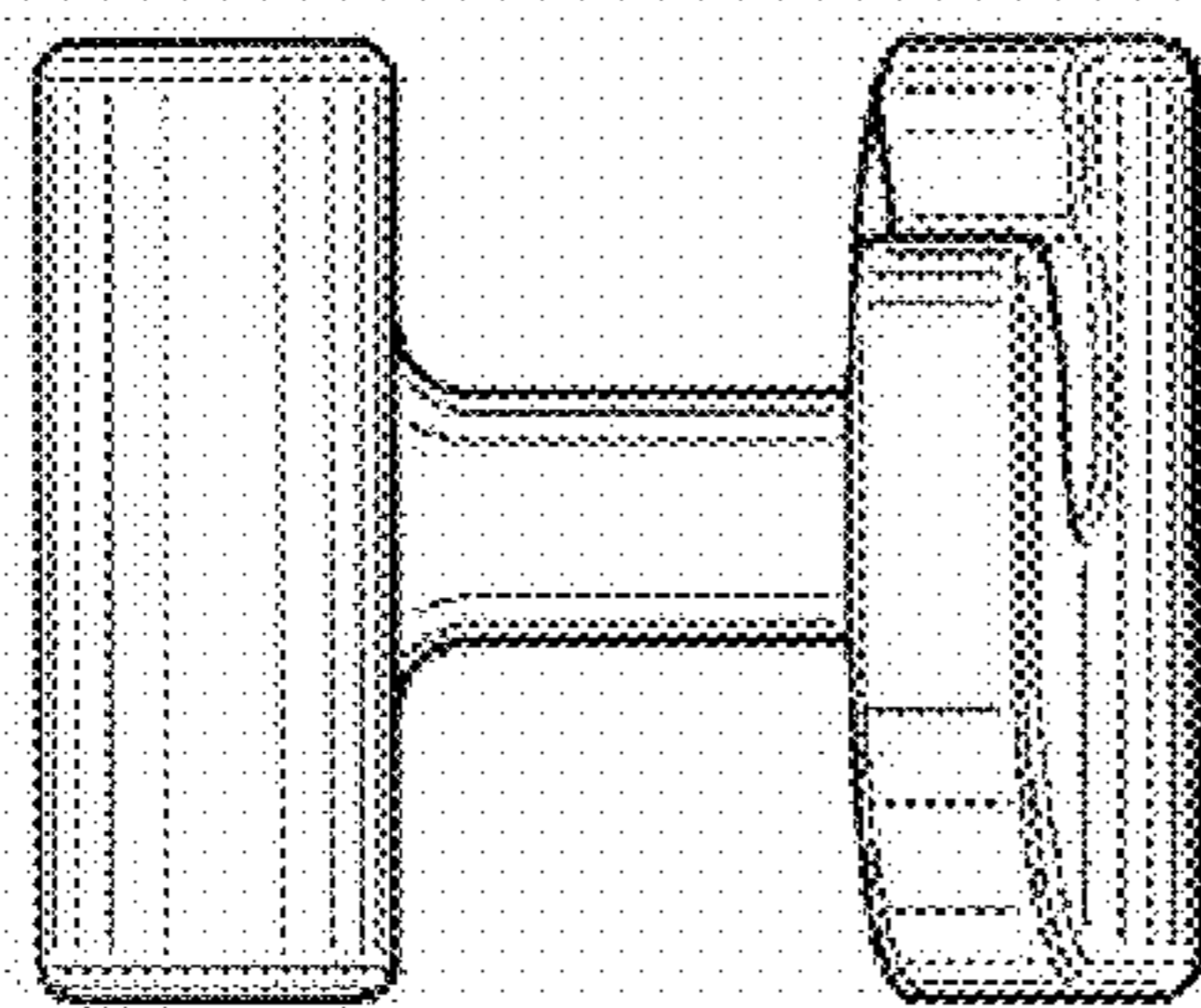
**FIG. 4**



**FIG. 5**



**FIG. 6**



**FIG. 7**

