



US00D629670S

(12) **United States Design Patent**
Fike

(10) **Patent No.:** **US D629,670 S**

(45) **Date of Patent:** **** Dec. 28, 2010**

(54) **SWIVEL LOCKING DEVICE FOR A ROTARY NOZZLE OF PRESSURE WASHER WAND**

Primary Examiner—Prabhakar Deshmukh
(74) *Attorney, Agent, or Firm*—Jones Walker

(75) Inventor: **Jess Edward Fike**, Lafayette, LA (US)

(57) **CLAIM**

(73) Assignee: **H2O, Inc.**, Lafayette, LA (US)

I claim the ornamental design for a swivel locking device for a rotary nozzle of a pressure washer wand, as shown and described.

(**) Term: **14 Years**

(21) Appl. No.: **29/360,017**

(22) Filed: **Apr. 19, 2010**

(51) **LOC (9) Cl.** **08-07**

(52) **U.S. Cl.** **D8/343**

(58) **Field of Classification Search** D8/330–348;
70/416–418, 431, 450, 466; 291/45, 253,
291/205, 341, 240, 346, 288–298

See application file for complete search history.

DESCRIPTION

FIG. 1 is a right perspective view of a swivel locking device for a rotary nozzle of pressure washer wand showing my new design, shown in the environmental use;

FIG. 2 is a perspective view thereof;

FIG. 3 is a side view thereof;

FIG. 4 is a top view thereof;

FIG. 5 is a front view thereof;

FIG. 6 is a back view thereof; and,

FIG. 7 is a bottom view thereof.

The broken line showing of the end of a pressure washer wand with attached rotary nozzle in FIG. 1 is for the purpose of illustrating the environmental structure to which the article is applied and forms no part of the claimed design.

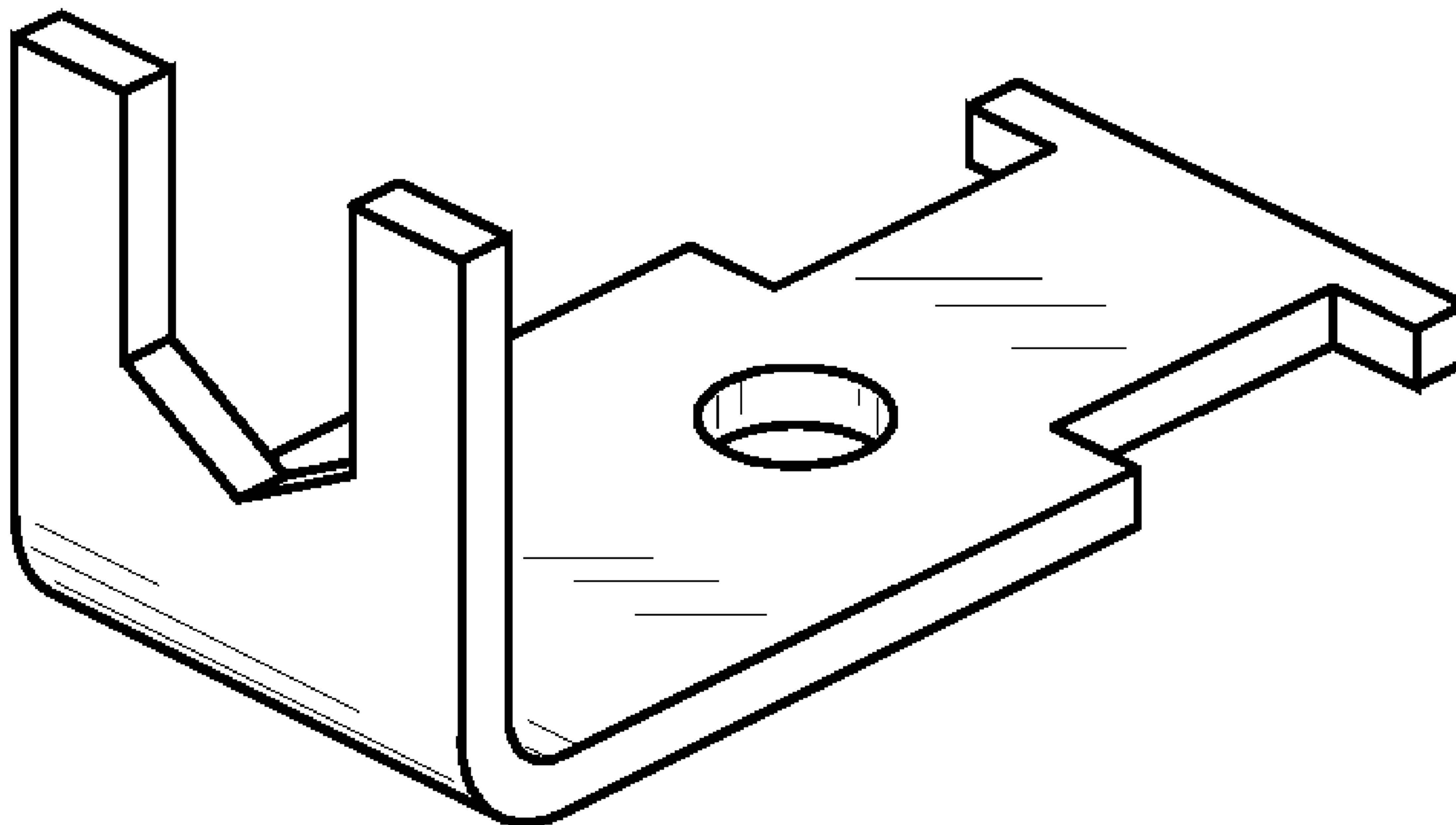
(56) **References Cited**

U.S. PATENT DOCUMENTS

2,698,196	A *	12/1954	Mangus	292/300
D283,299	S *	4/1986	Mazie	D8/343
D351,781	S *	10/1994	DeWitt	D8/344
D444,371	S *	7/2001	Leonowich	D8/331
6,572,404	B1 *	6/2003	Wu	439/567
6,679,727	B1 *	1/2004	Yu	439/567
D540,151	S *	4/2007	Ebersole	D8/343
D571,638	S *	6/2008	Zhu et al.	D8/343

* cited by examiner

1 Claim, 1 Drawing Sheet



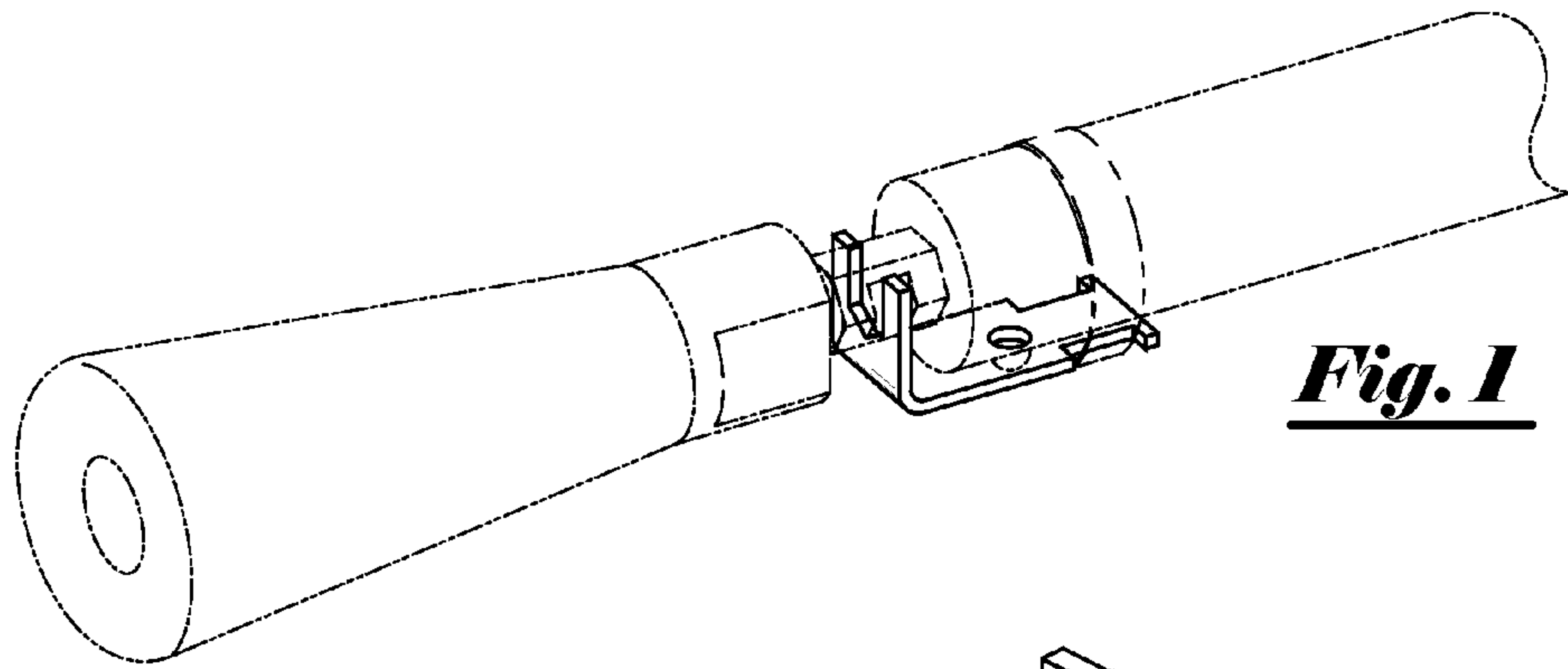


Fig. 1



Fig. 3

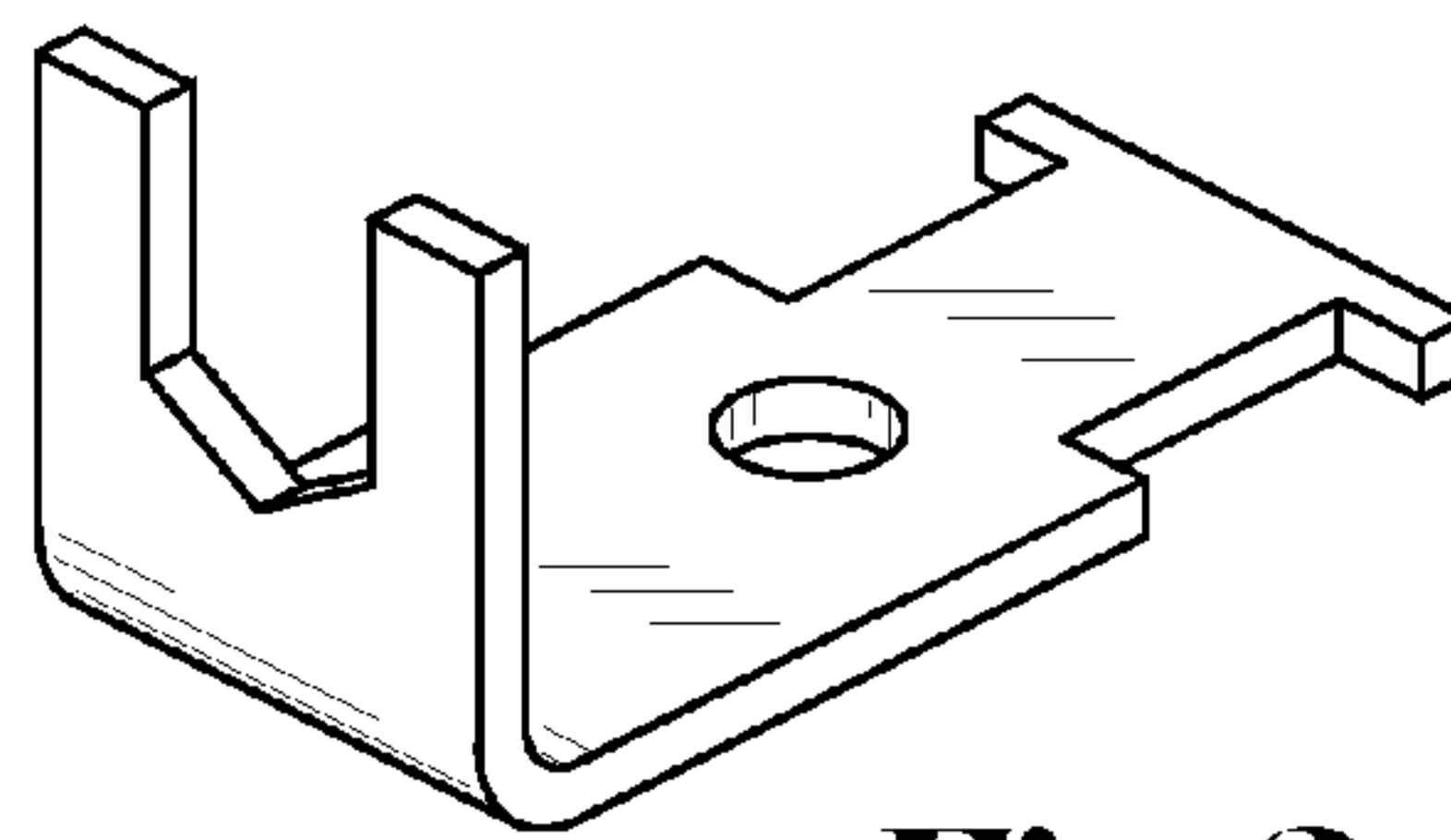


Fig. 2

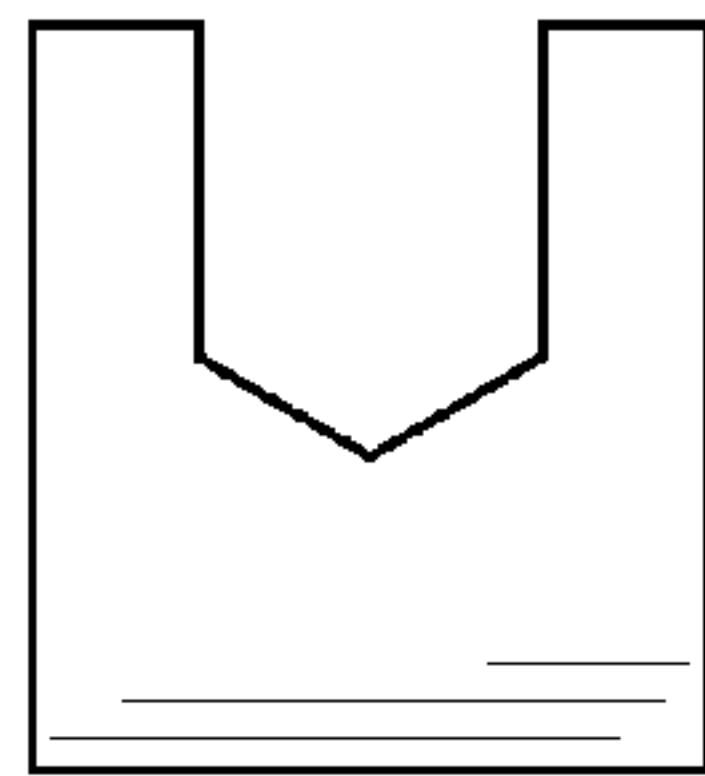


Fig. 5

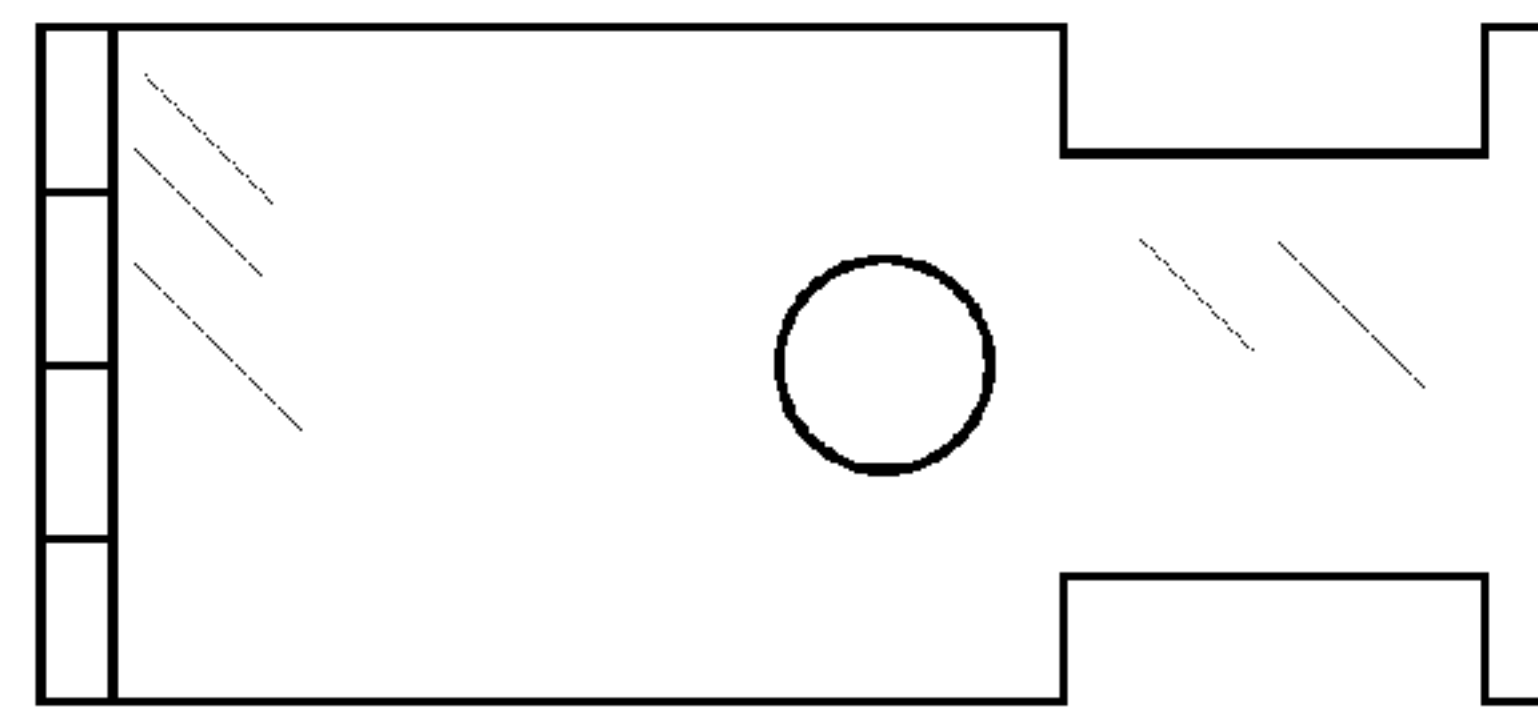


Fig. 4

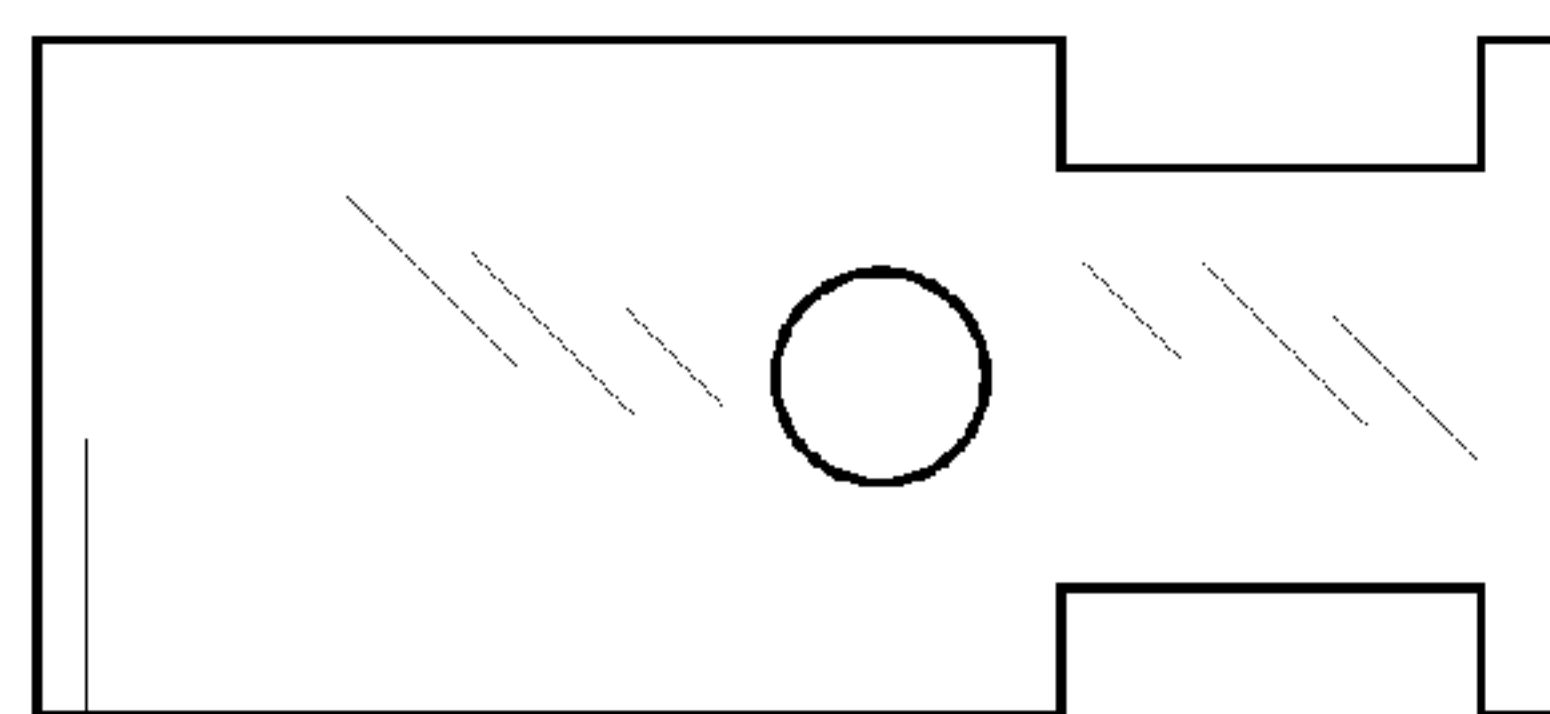


Fig. 7

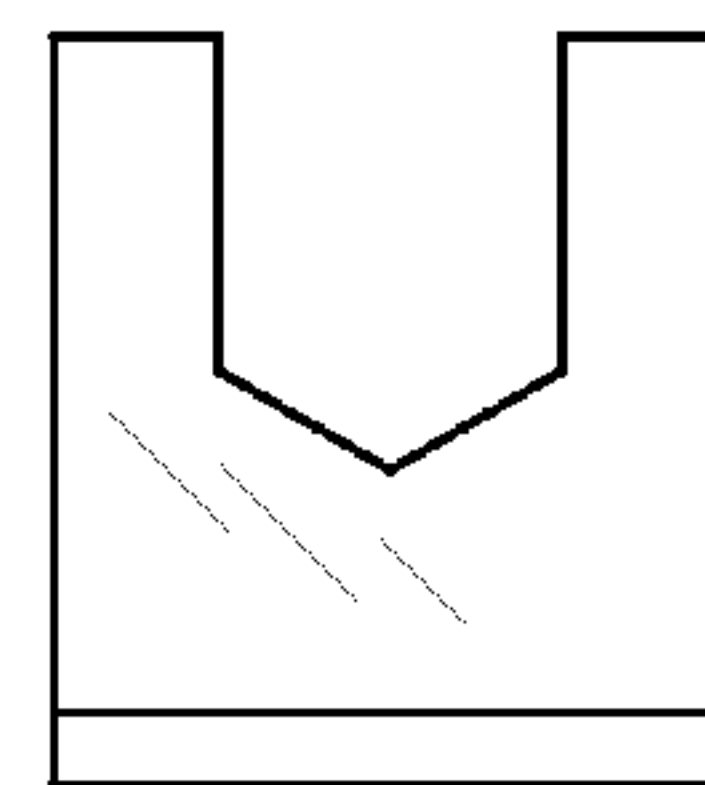


Fig. 6