



US00D629668S

(12) **United States Design Patent**  
**Mattson**

(10) **Patent No.:** **US D629,668 S**

(45) **Date of Patent:** **\*\* Dec. 28, 2010**

(54) **CABINET HANDLE**

(75) Inventor: **Deborah D. Mattson**, Plainwell, MI  
(US)

(73) Assignee: **Belwith Products, LLC**, Grandville, MI  
(US)

(\*\*) Term: **14 Years**

(21) Appl. No.: **29/355,738**

(22) Filed: **Feb. 12, 2010**

(51) **LOC (9) Cl.** ..... **08-06**

(52) **U.S. Cl.** ..... **D8/315**

(58) **Field of Classification Search** ..... D8/300,  
D8/302, 305, 311–321, DIG. 1, DIG. 2, DIG. 10;  
D7/393, 394; D3/318; D6/549, 524, 533,  
D6/550; D23/250–254, 303, 305; D15/89;  
292/347, 336.3; 211/16, 182; 220/752–754;  
16/441, 118, 110 R, 111 R, DIG. 19, DIG. 30,  
16/110.1, 412, 414–420, 443–446

See application file for complete search history.

(56) **References Cited**

U.S. PATENT DOCUMENTS

D553,944 S *	10/2007	Jou	.....	D8/316
D562,107 S *	2/2008	Tor Verges	.....	D8/316
D563,197 S *	3/2008	Lowe	.....	D8/316
D573,868 S *	7/2008	Ricereto	.....	D8/315
D575,136 S *	8/2008	Hoernig	.....	D8/316
D584,593 S *	1/2009	Jou	.....	D8/317
D586,199 S *	2/2009	Gifford	.....	D8/315
D587,982 S *	3/2009	Mattson et al.	.....	D8/317

D596,918 S *	7/2009	Menzies	.....	D8/315
D598,269 S *	8/2009	Hanes	.....	D8/317
D598,270 S *	8/2009	Hanes	.....	D8/317
D602,336 S *	10/2009	Owens	.....	D8/316
D605,924 S *	12/2009	Hanes	.....	D8/317
D611,323 S *	3/2010	Koskela	.....	D8/316
D611,797 S *	3/2010	Koskela	.....	D8/316
D613,576 S *	4/2010	Matijevic	.....	D8/315

\* cited by examiner

*Primary Examiner*—Mark A Goodwin

(74) *Attorney, Agent, or Firm*—Economou IP Law; Vangelis Economou

(57) **CLAIM**

The ornamental design for a cabinet handle, as shown and described.

**DESCRIPTION**

FIG. 1 is a perspective view of the cabinet handle showing my new design;

FIG. 2 is a front elevational view thereof;

FIG. 3 is a left side view thereof;

FIG. 4 is a right side view thereof;

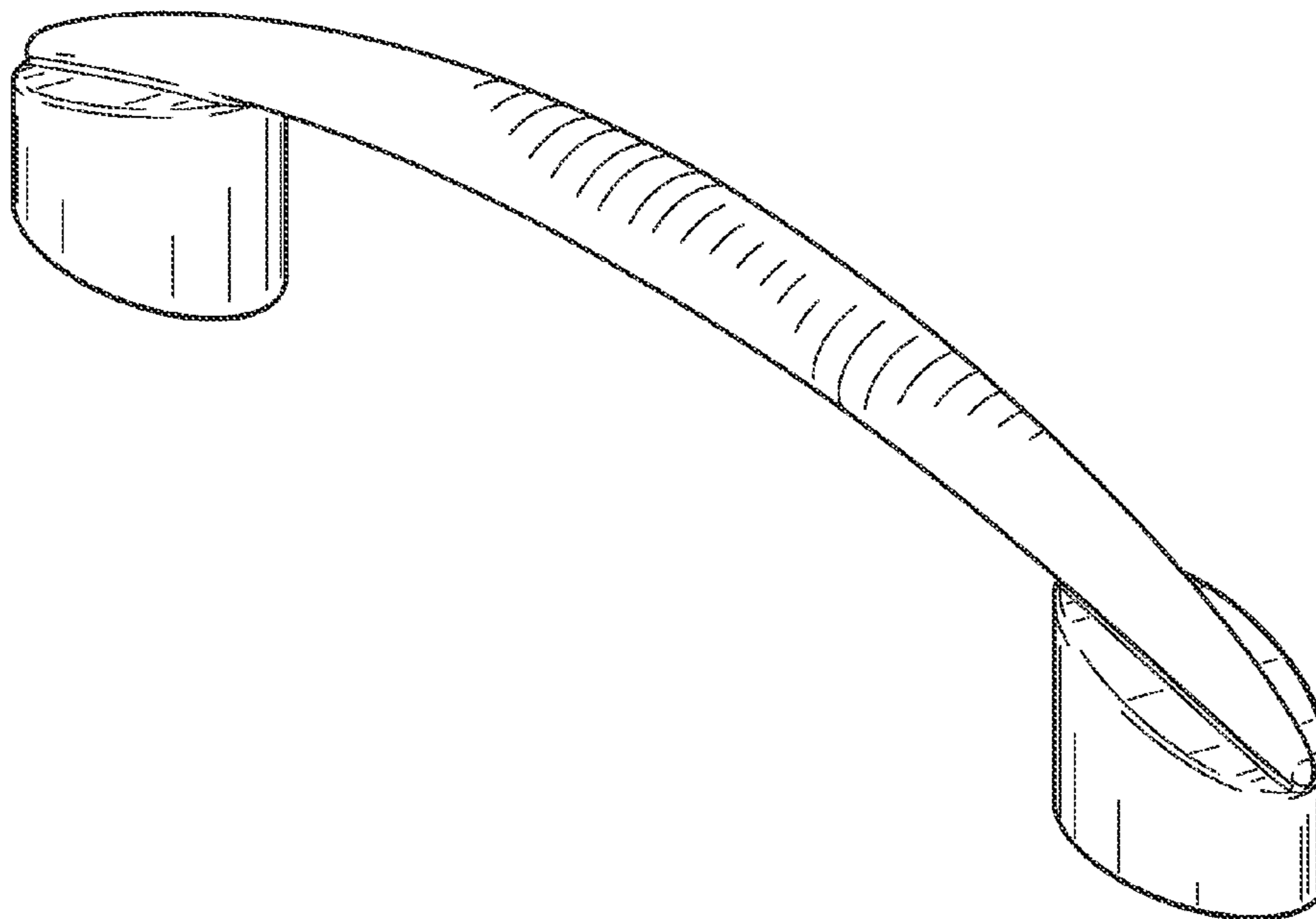
FIG. 5 is a bottom plan view thereof;

FIG. 6 is a back elevational view thereof; and,

FIG. 7 is a top plan view thereof.

The broken line showing of the elements in the bottom view of FIG. 5 is included for the purpose of illustrating portions of the cabinet handle and forms no part of the claimed design.

**1 Claim, 2 Drawing Sheets**



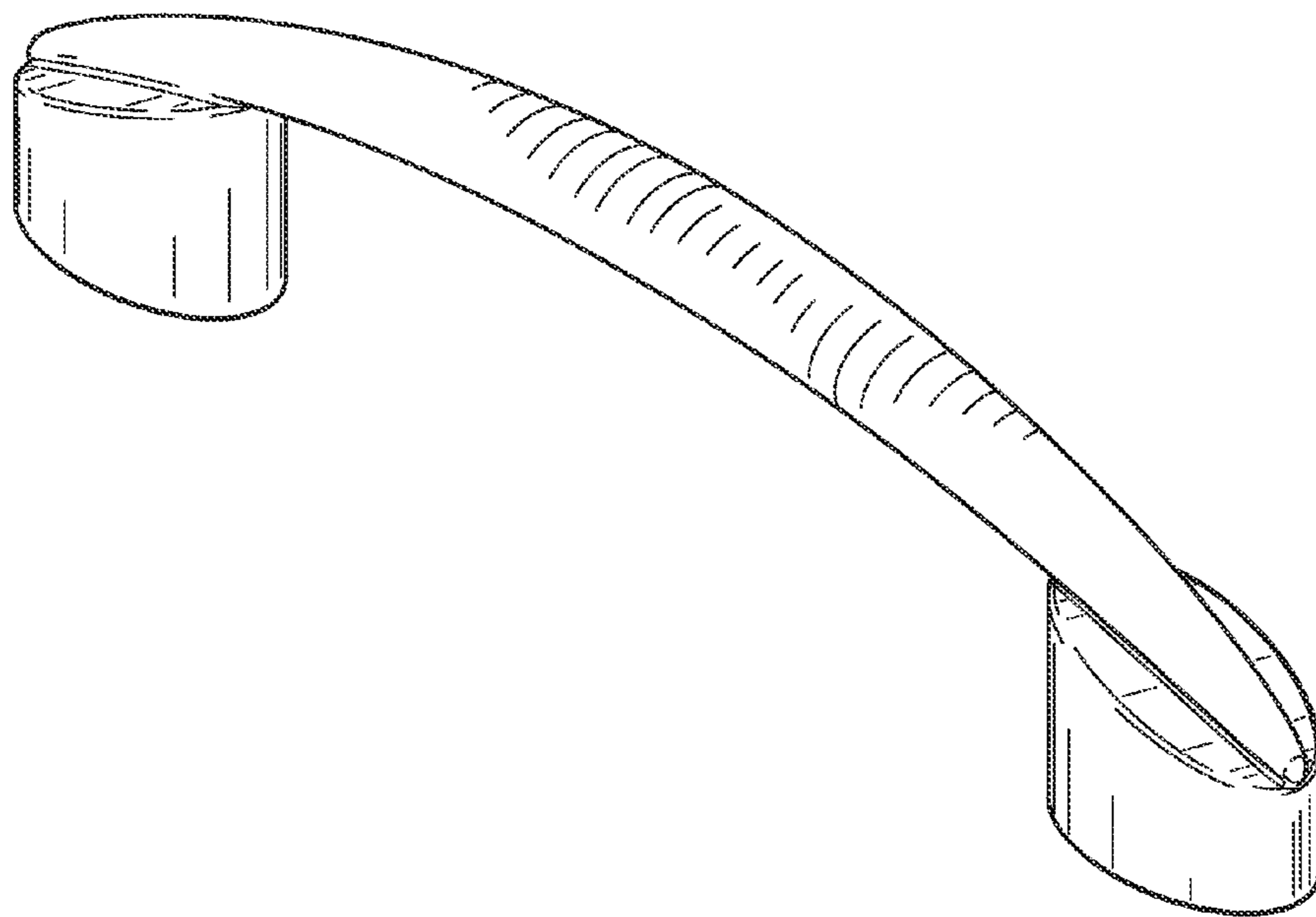


FIG. 1

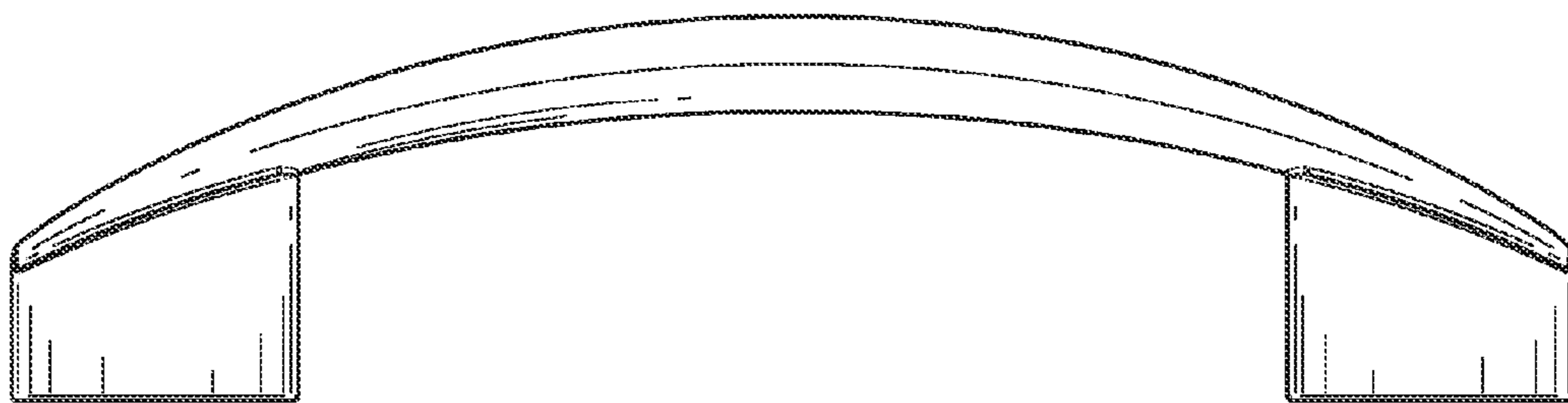


FIG. 2

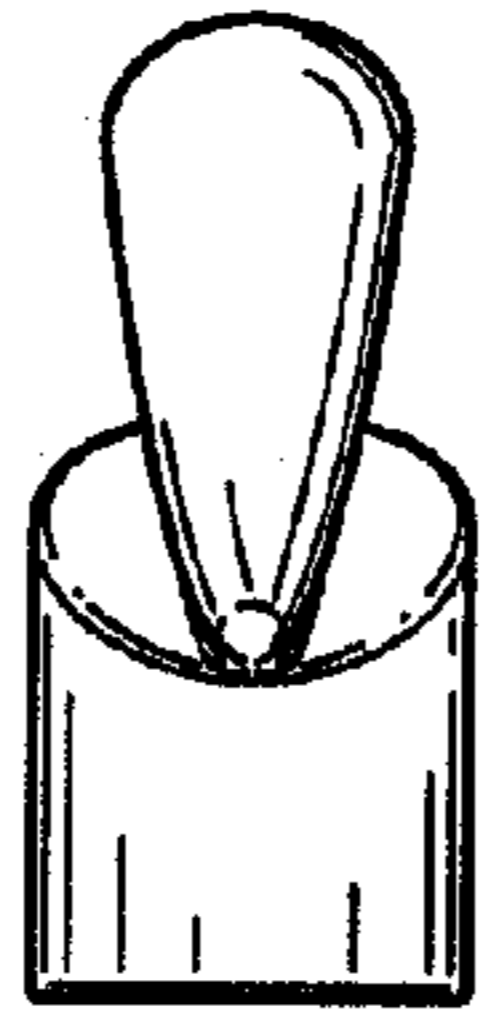


FIG. 3



FIG. 4

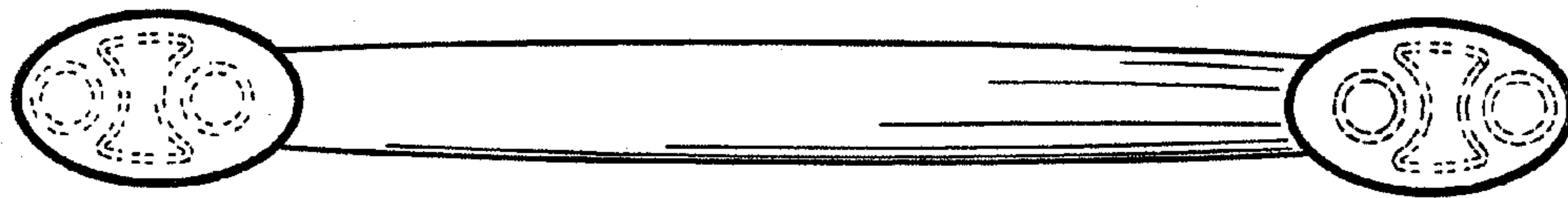


FIG. 5

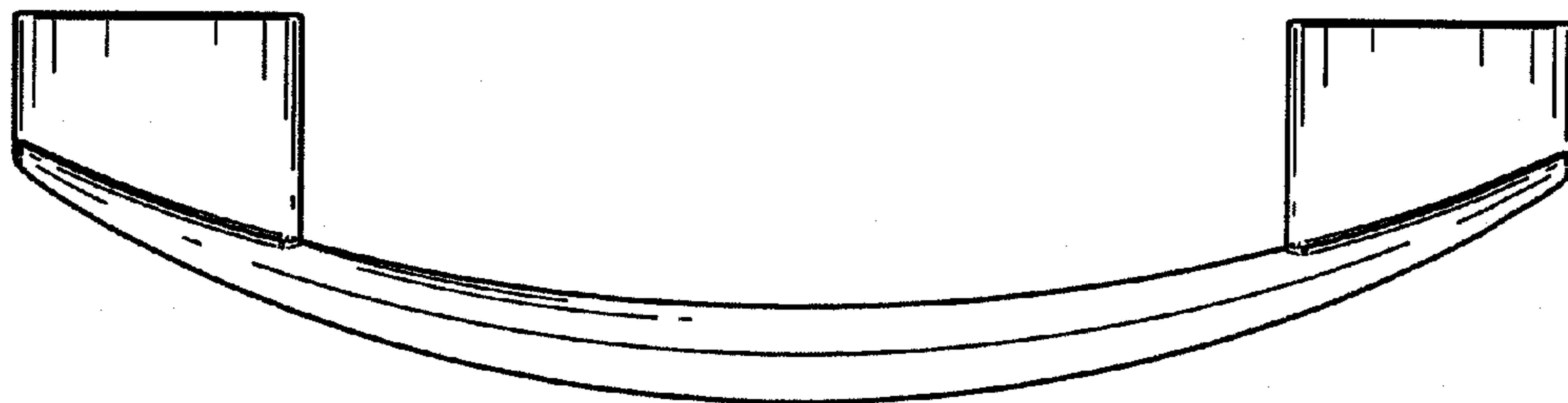


FIG. 6

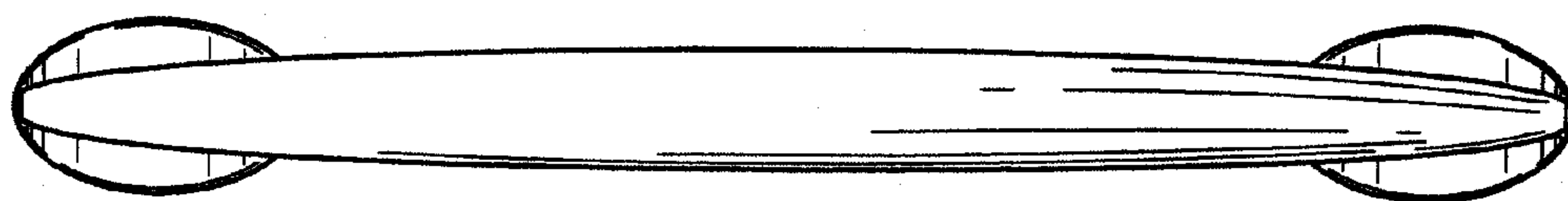


FIG. 7