

US00D629666S

(12) **United States Design Patent**  
**Lai**

(10) **Patent No.:** **US D629,666 S**

(45) **Date of Patent:** **\*\* Dec. 28, 2010**

(54) **SCREWDRIVER HANDLE**

(76) Inventor: **Rebecca Lai**, 2811 Brook River Ct.,  
Sugar Land, TX (US) 77479

(\*\*) Term: **14 Years**

(21) Appl. No.: **29/337,289**

(22) Filed: **May 19, 2009**

(51) **LOC (9) Cl.** ..... **08-04**

(52) **U.S. Cl.** ..... **D8/83**

(58) **Field of Classification Search** ..... D8/82-87,  
D8/107; 81/177.1, 177.4, 436-440, 489-490  
See application file for complete search history.

(56) **References Cited**

**U.S. PATENT DOCUMENTS**

D156,536 S *	12/1949	Keidan .....	D8/83
D179,065 S *	10/1956	Doeden .....	D8/83
D325,692 S *	4/1992	Johnson .....	D8/83
5,228,363 A *	7/1993	Corona et al. ....	81/439
D340,633 S *	10/1993	Badiali .....	D8/85
D342,660 S *	12/1993	Chapin .....	D8/83
D358,316 S *	5/1995	Markwart et al. ....	D8/82
D363,012 S *	10/1995	Humphries .....	D8/87
D376,305 S *	12/1996	Kung .....	D8/82
D412,096 S *	7/1999	Kung et al. ....	D8/87
D507,733 S *	7/2005	Liu .....	D8/83
D526,184 S *	8/2006	Yu et al. ....	D8/107

**OTHER PUBLICATIONS**

Transparent Handle Screwdriver. Downloaded Apr. 11, 2010 at <http://images.google.com/imgres?imgurl=http://www.cens.com/cens/supplier/product/pic/845772....>\*

\* cited by examiner

*Primary Examiner*—Philip S Hyder  
*Assistant Examiner*—Roselyne Cody

(74) *Attorney, Agent, or Firm*—Alan Kamrath; Kamrath & Associates PA

(57) **CLAIM**

The ornamental design for a screwdriver handle, as shown and described.

**DESCRIPTION**

FIG. 1 is a perspective view of a screwdriver handle showing my design;

FIG. 2 is a front elevational view thereof;

FIG. 3 is a rear elevational view thereof;

FIG. 4 is a left side elevational view thereof;

FIG. 5 is a right side elevational view thereof;

FIG. 6 is a top plan view thereof;

FIG. 7 is a bottom plan view thereof;

FIG. 8 is a perspective view illustrating an application of a screwdriver handle showing my design;

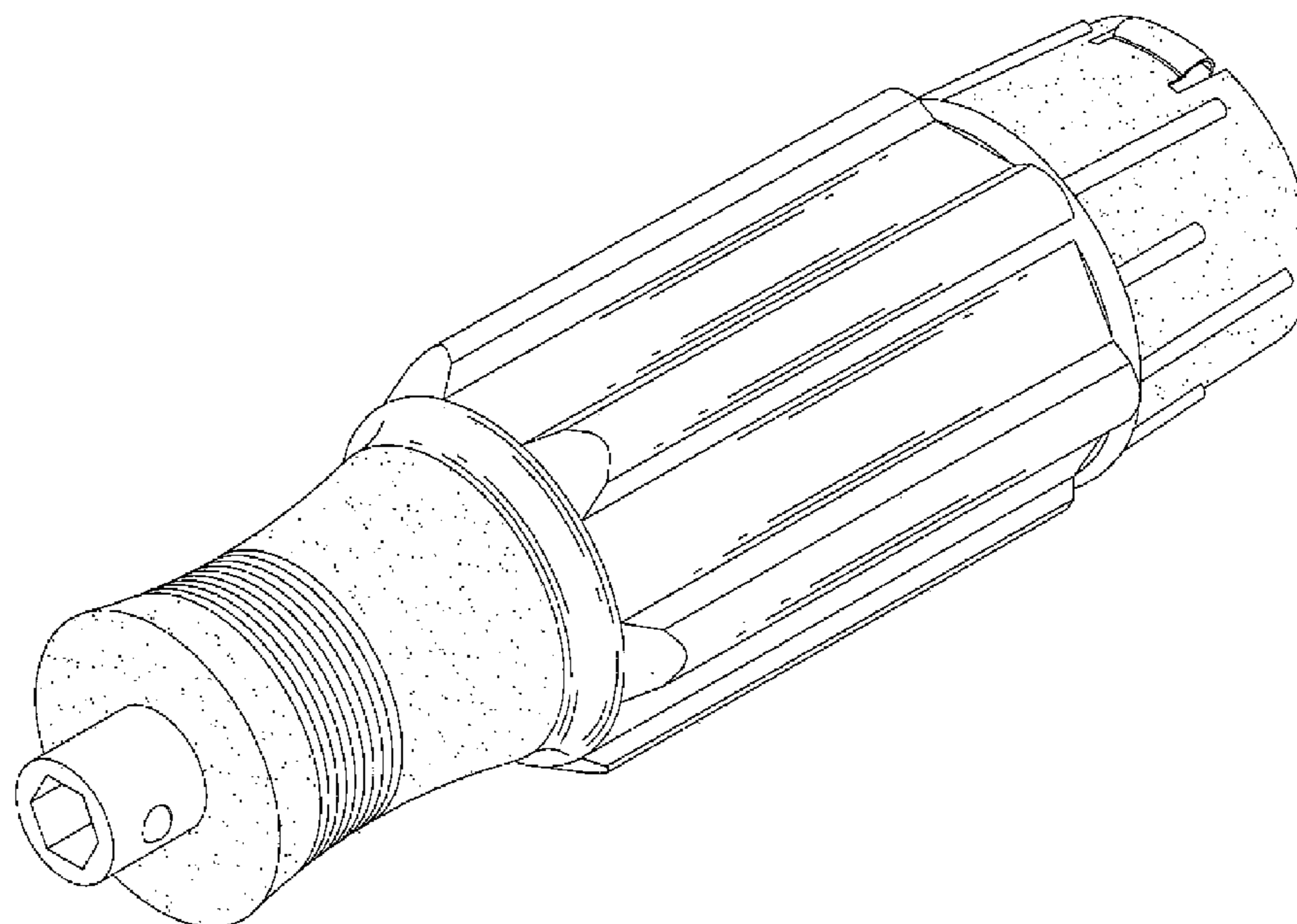
FIG. 9 is a perspective view illustrating another application of a screwdriver handle showing my design;

FIG. 10 is a perspective view illustrating the other application of a screwdriver handle showing my design; and,

FIG. 11 is a perspective view illustrating the other application of a screwdriver handle showing my design.

The broken line showing of the screwdriver handle is for illustrative purposes only and forms no part of the claimed design.

**1 Claim, 10 Drawing Sheets**



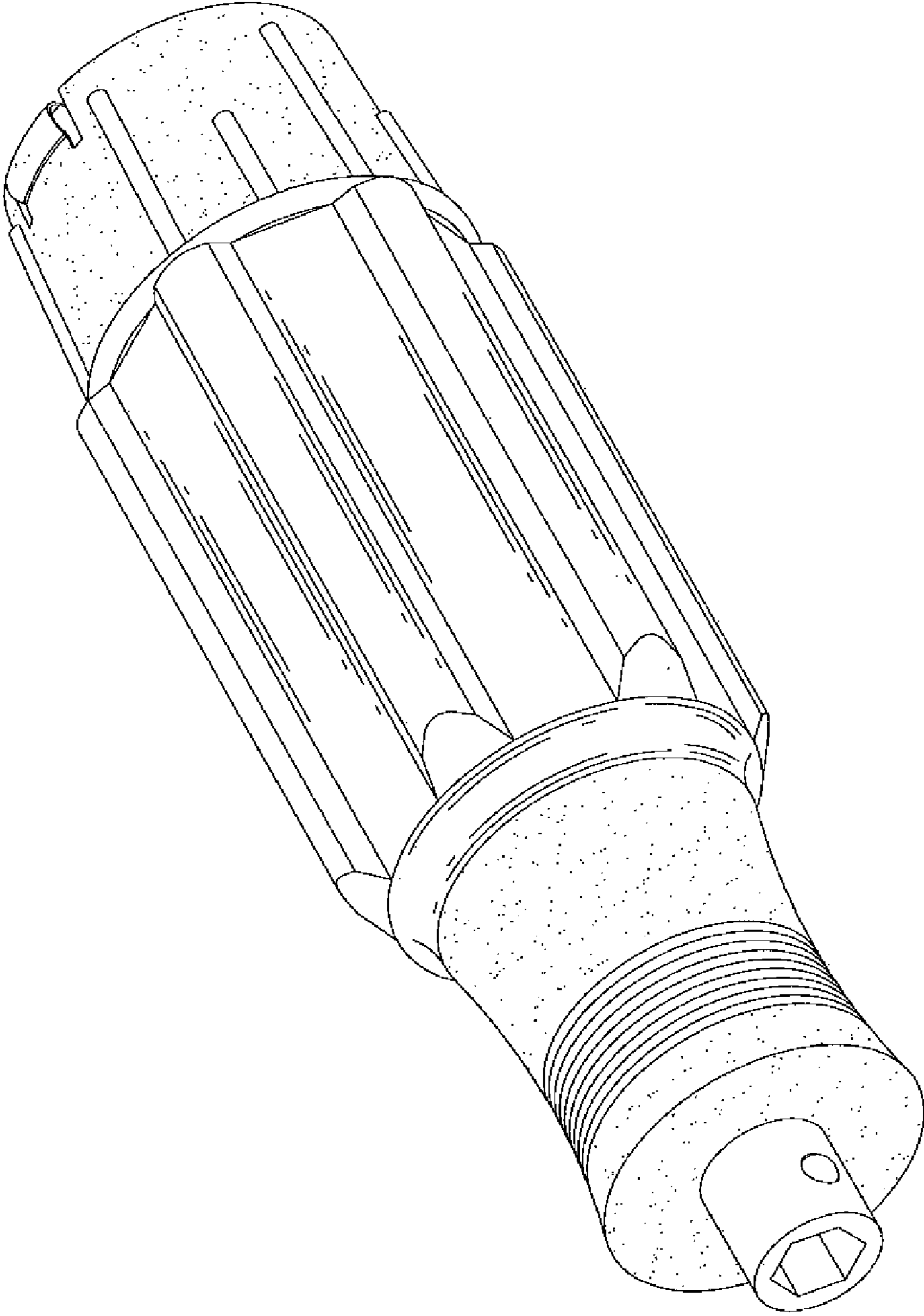


FIG. 1

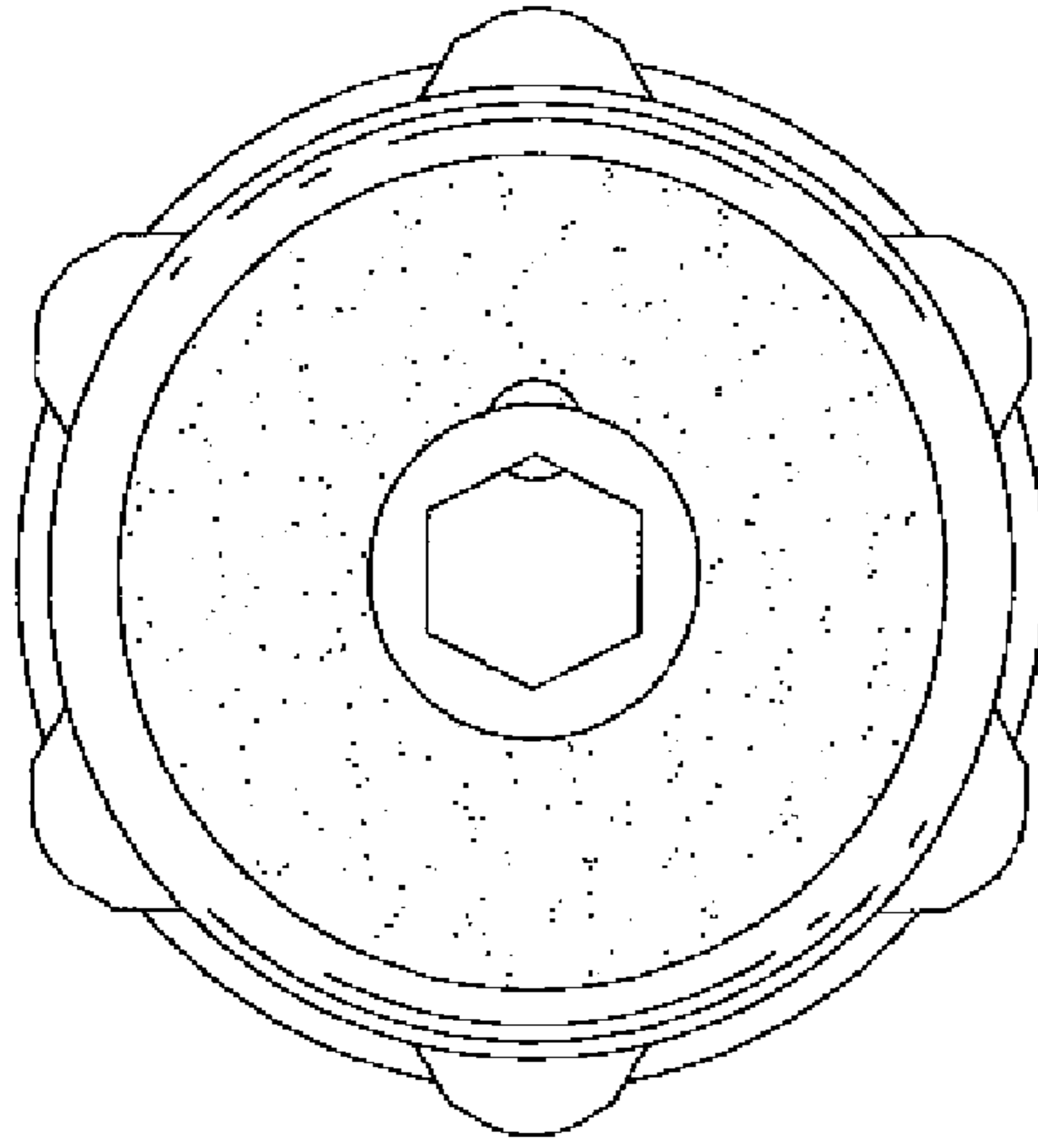


FIG. 2

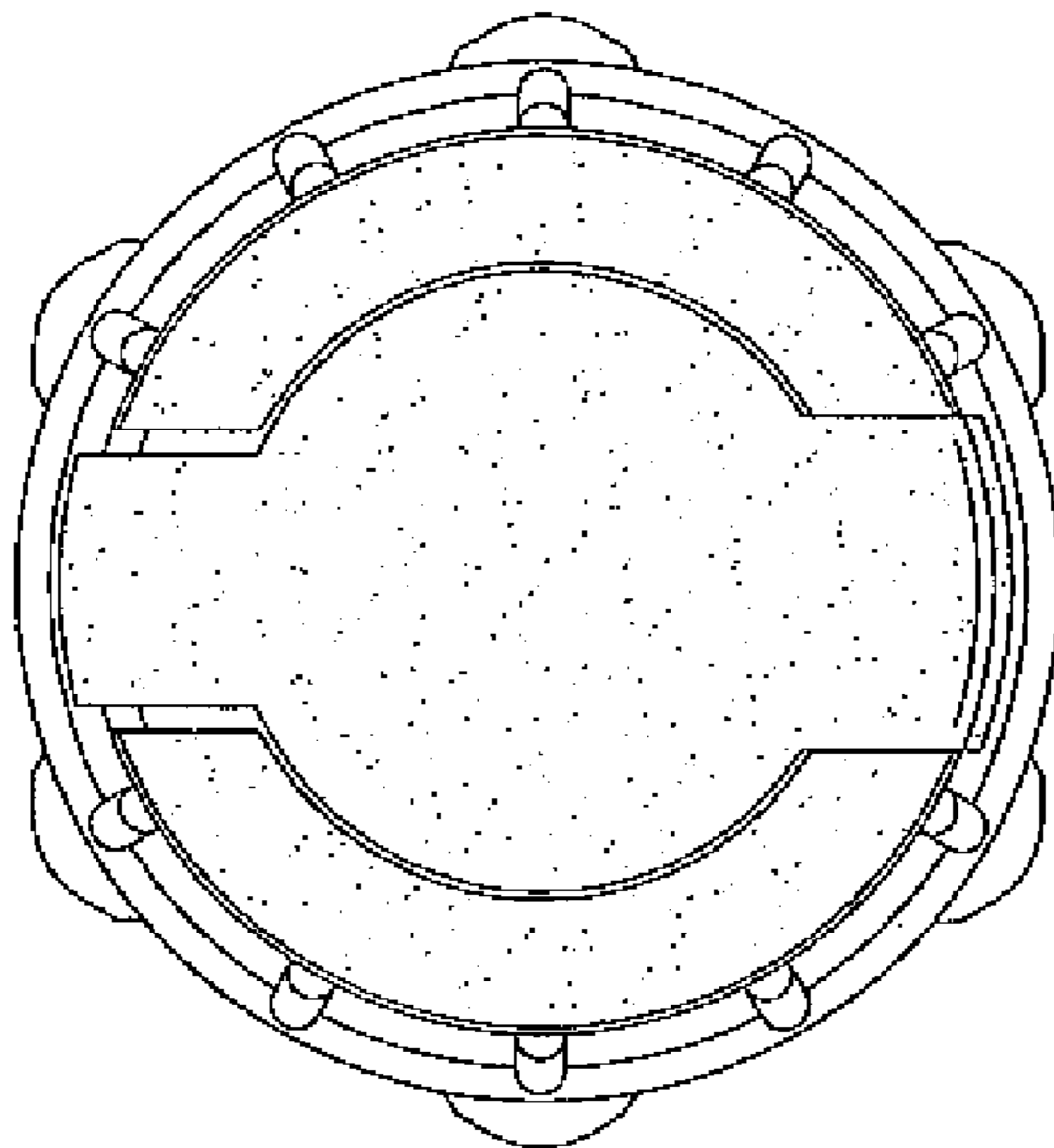


FIG. 3

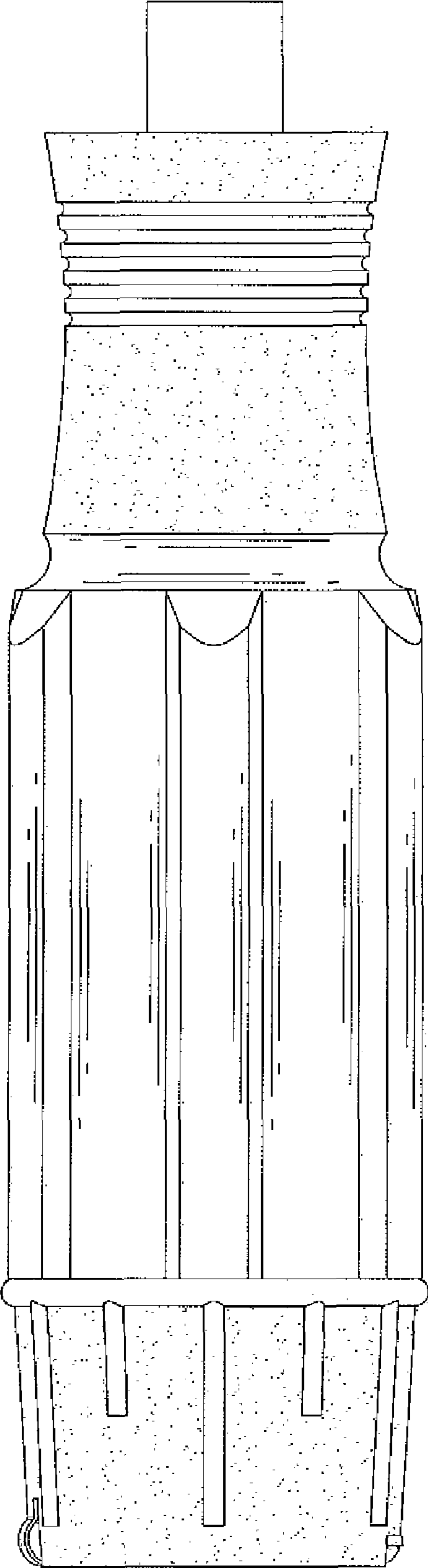


FIG. 4

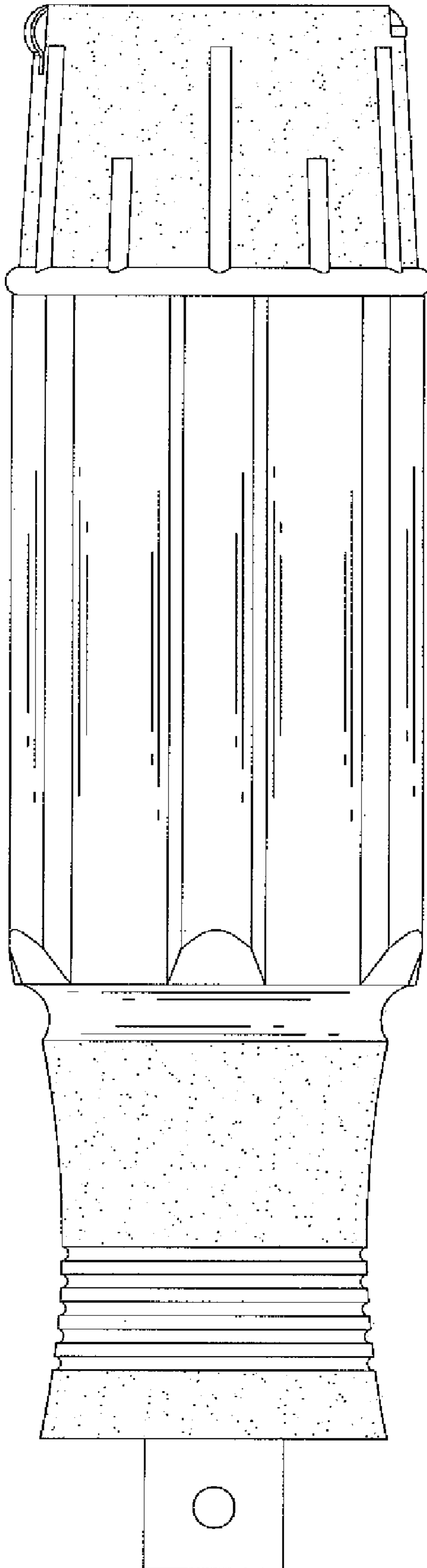


FIG. 5

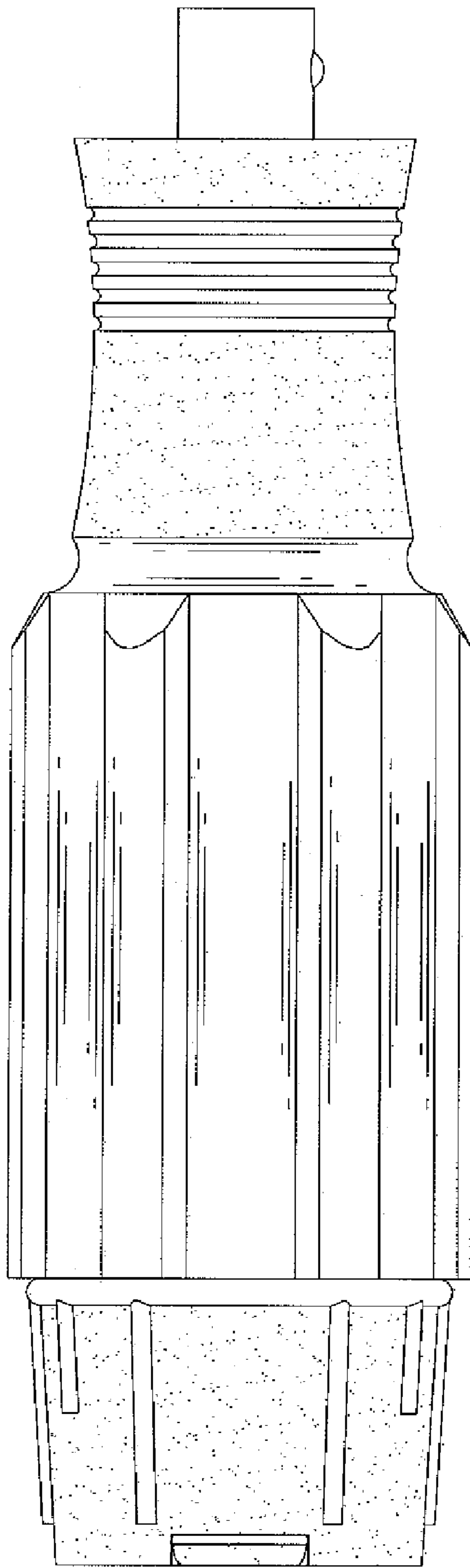


FIG. 6

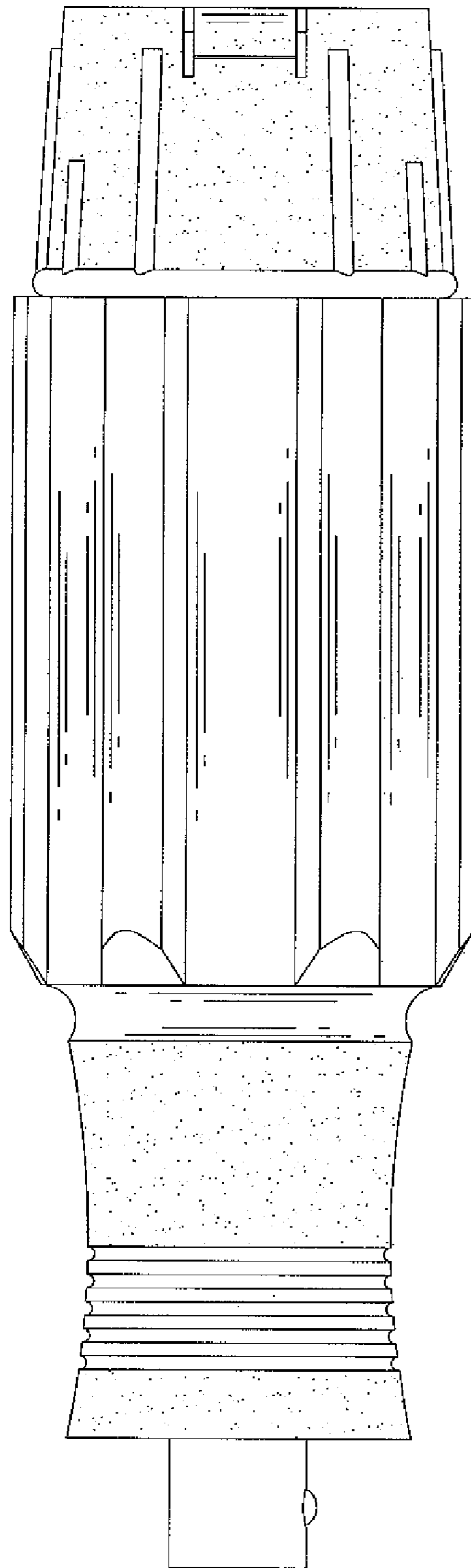


FIG. 7

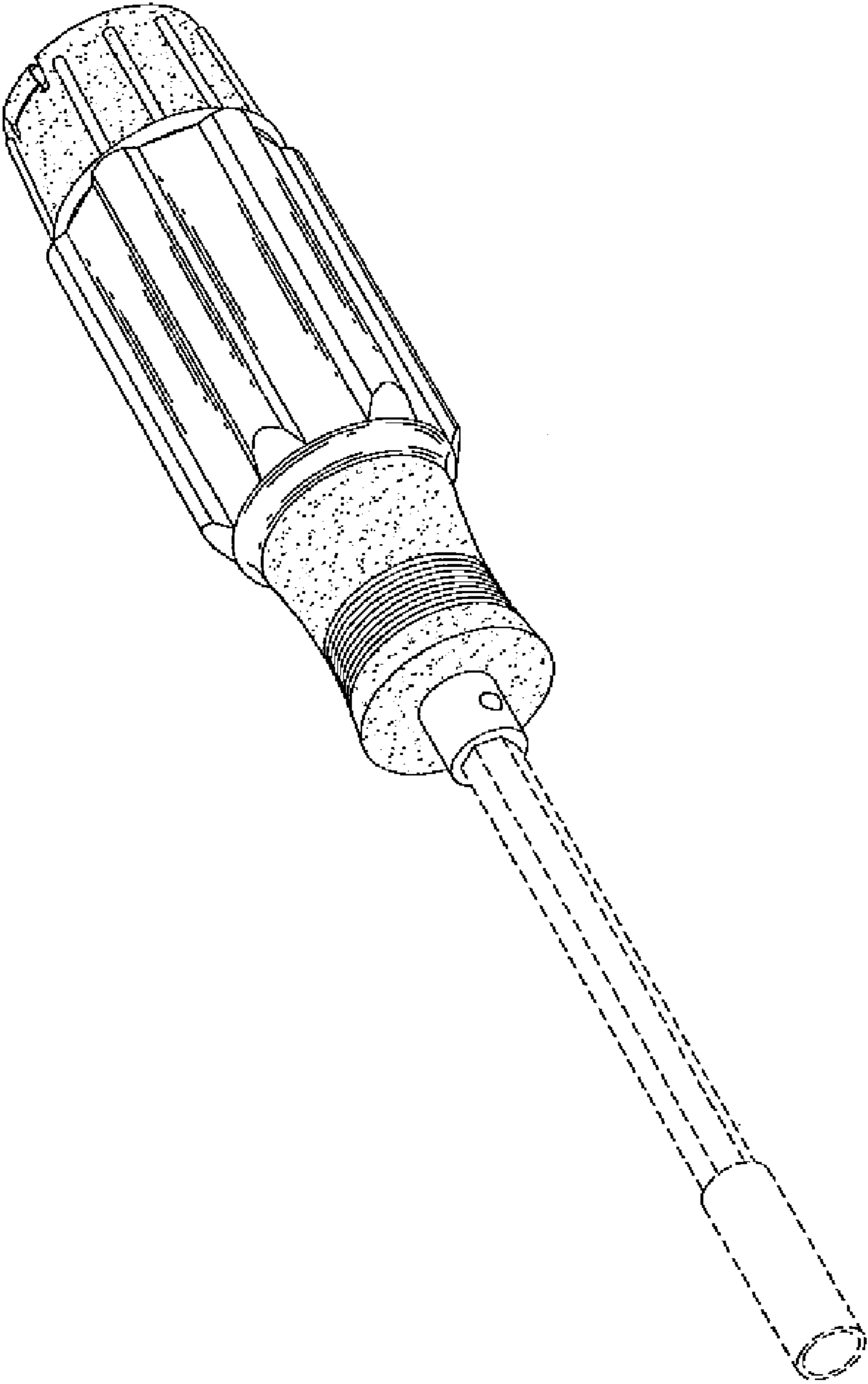


FIG. 8



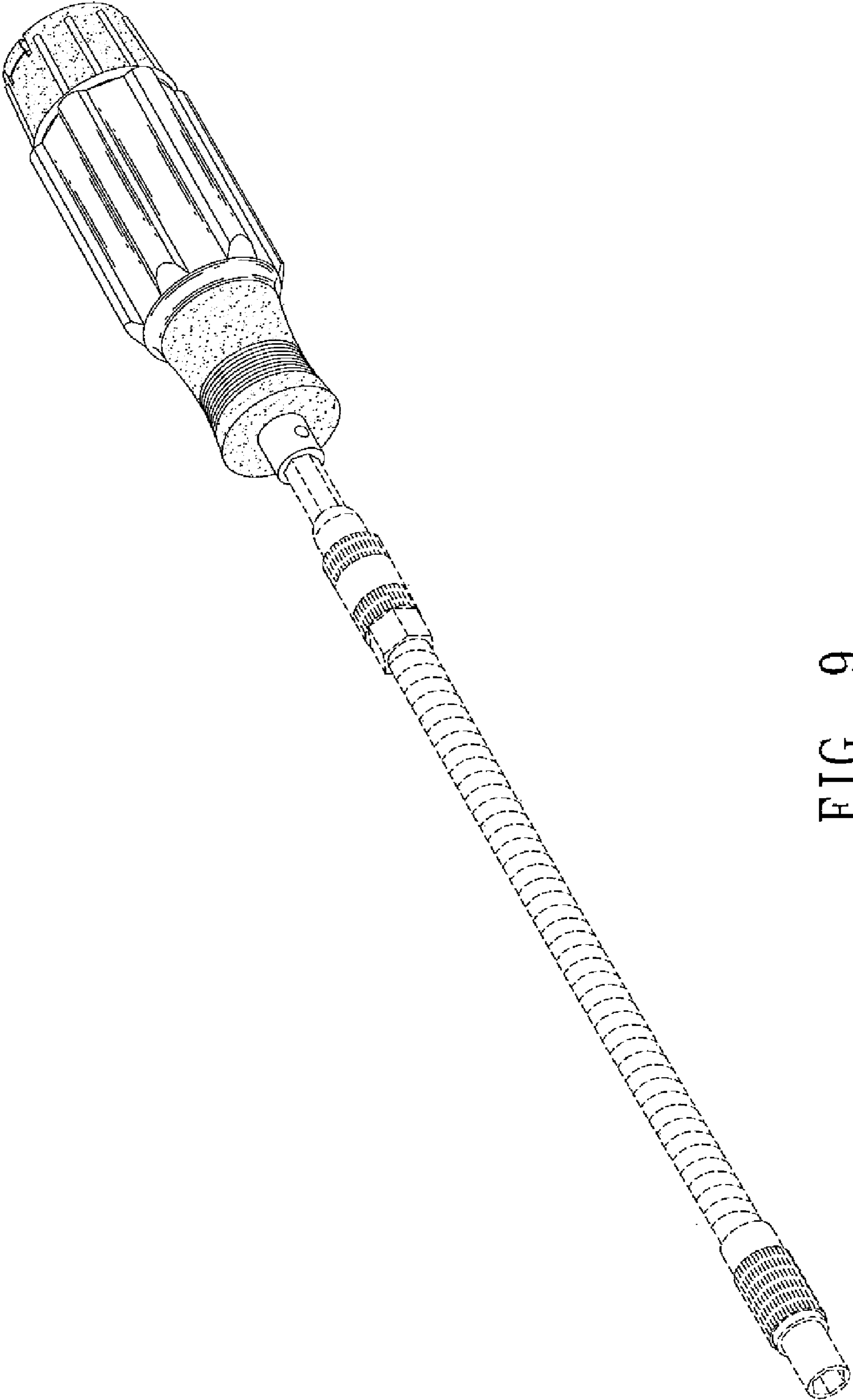


FIG. 9

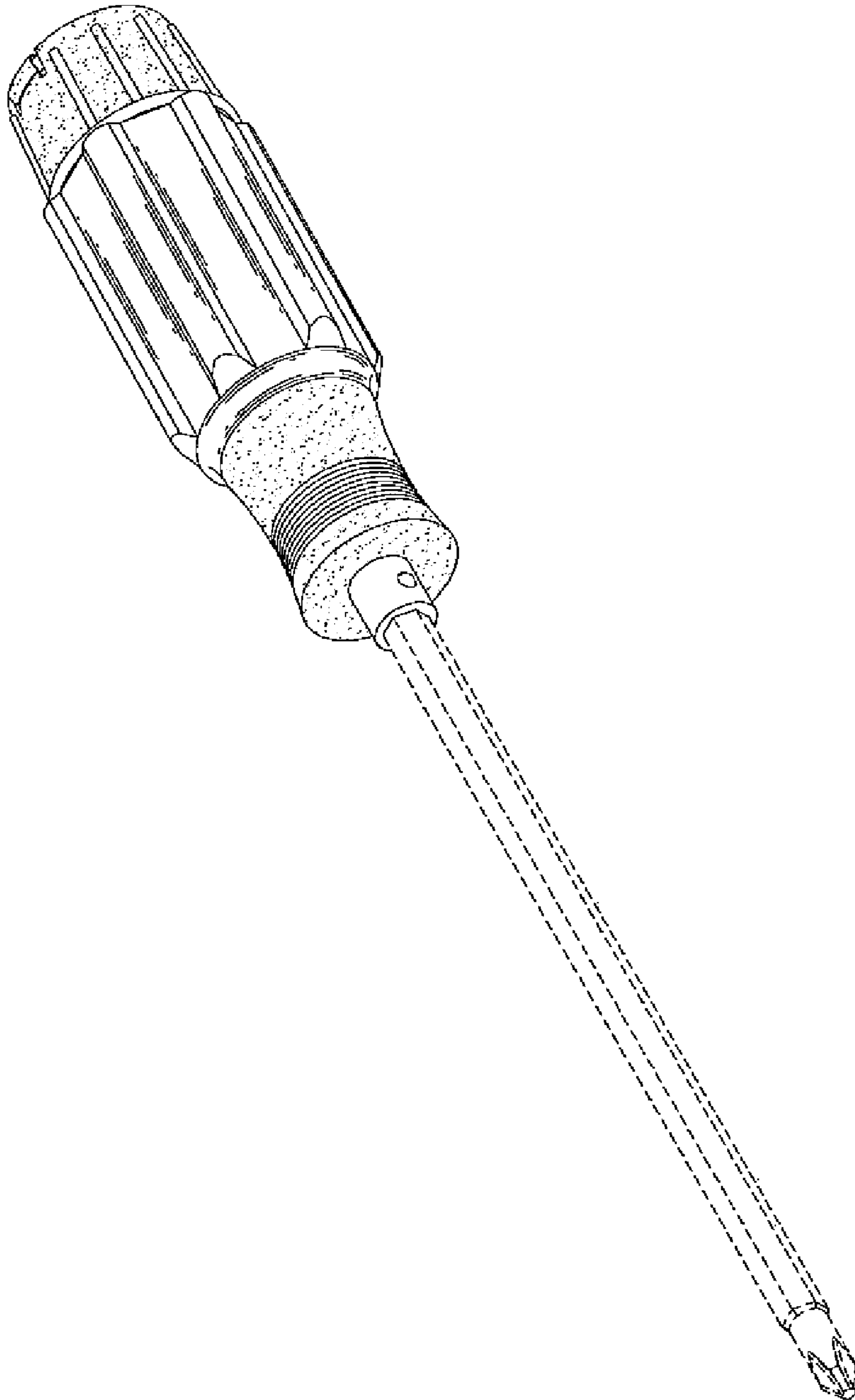


FIG. 10

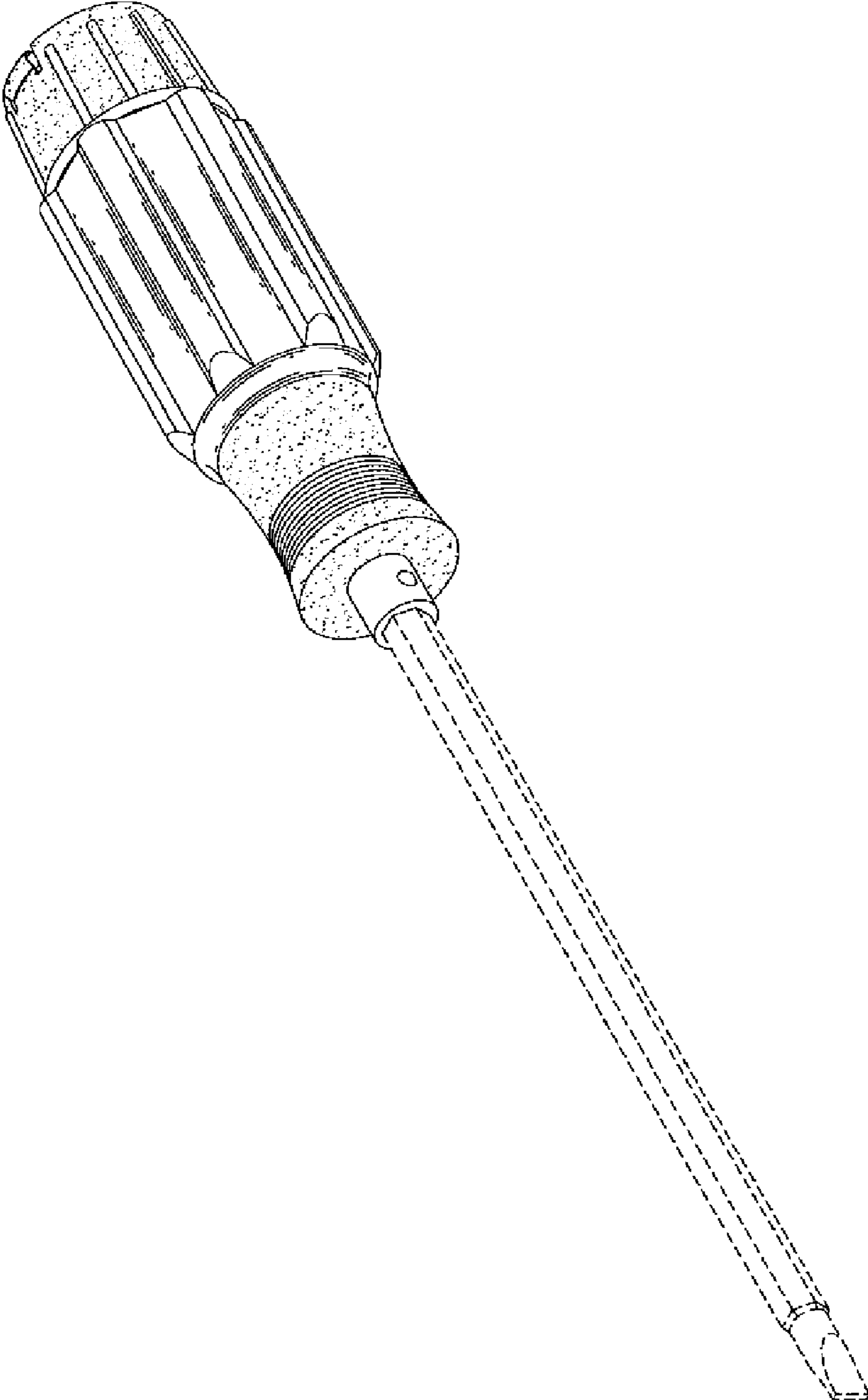


FIG. 11