



US00D629665S

(12) **United States Design Patent**  
**Rashid**

(10) **Patent No.:** **US D629,665 S**  
(45) **Date of Patent:** **\*\* Dec. 28, 2010**

(54) **OFFICE SCISSORS**

D590,677 S \* 4/2009 Pearson et al. .... D8/57

(75) Inventor: **Karim Rashid**, New York, NY (US)

\* cited by examiner

(73) Assignee: **Slice, Inc.**, Campbell, CA (US)

*Primary Examiner*—Cathron C Brooks  
*Assistant Examiner*—Deanna Fluegeman

(\*\*) Term: **14 Years**

(74) *Attorney, Agent, or Firm*—The Sigma Law Group LLC;  
James Michael Smedley, Esq.

(21) Appl. No.: **29/349,173**

(57) **CLAIM**

(22) Filed: **Mar. 11, 2010**

I claim the ornamental design for office scissors, as shown and described.

(51) **LOC (9) Cl.** ..... **08-03**

(52) **U.S. Cl.** ..... **D8/57**

(58) **Field of Classification Search** ..... D8/4,  
D8/5, 51–58, 105, 107; D21/532; D28/44,  
D28/57; 7/135, 136; 30/131, 195, 229, 194,  
30/230–235, 268, 350, 254–258  
See application file for complete search history.

**DESCRIPTION**

FIG. 1: is the front orthographic view of the office scissors showing my new design;

FIG. 2: is the back orthographic view of the office scissors thereof;

FIG. 3: is the right orthographic view of the office scissors thereof;

FIG. 4: is the left orthographic view of the office scissors thereof;

FIG. 5: is the top orthographic view of the office scissors thereof;

FIG. 6: is the bottom orthographic view of the office scissors thereof;

FIG. 7: is the front orthographic view of the office scissors in the open position thereof;

FIG. 8: is the back orthographic view of the office scissors in the open position thereof;

FIG. 9: is the bottom perspective view when viewing from the front thereof; and,

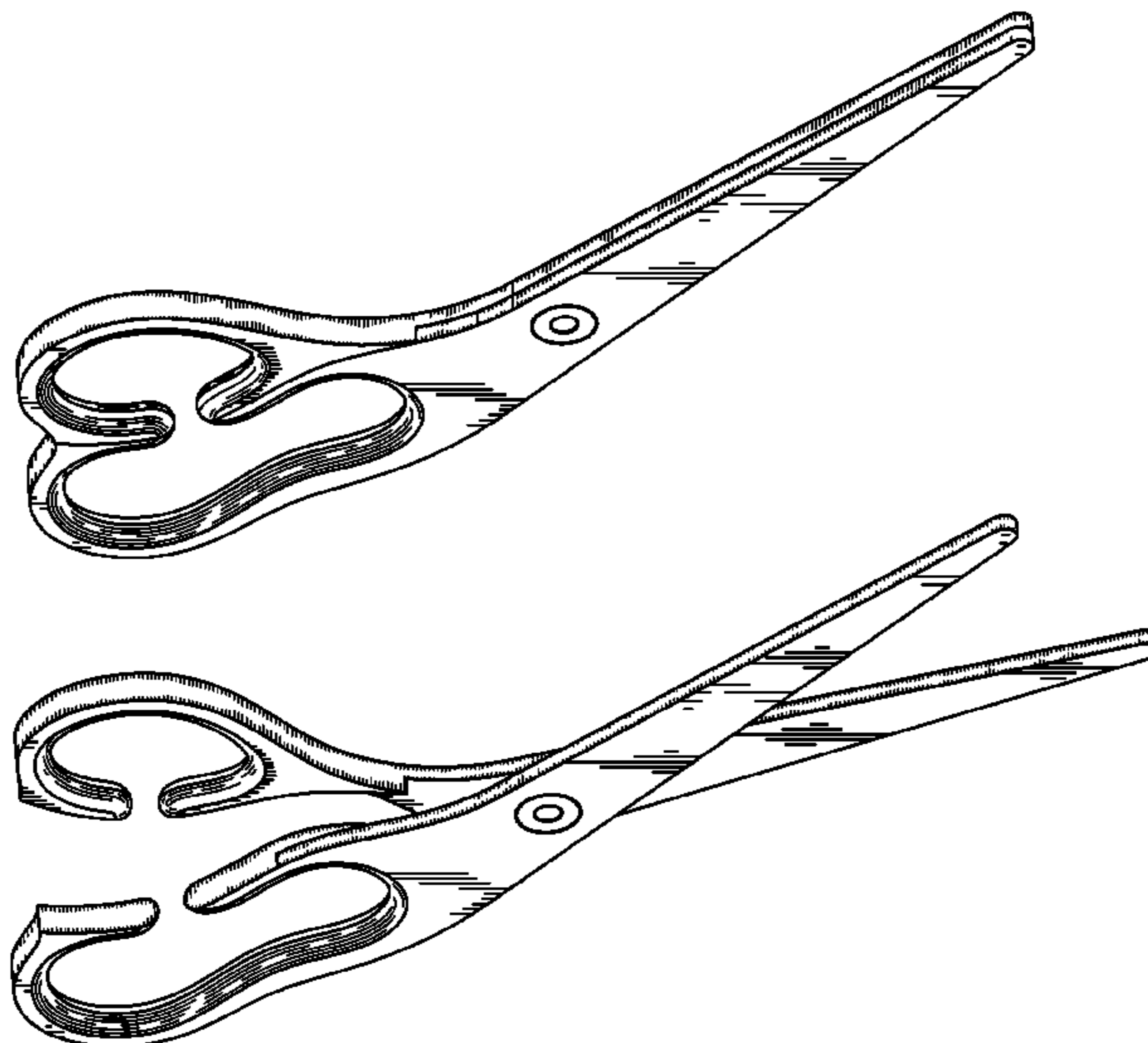
FIG. 10: is the bottom perspective view when viewing from the front in the open position.

(56) **References Cited**

U.S. PATENT DOCUMENTS

176,519	A *	4/1876	Does	30/262
2,195,353	A *	3/1940	Atchison	30/258
3,486,227	A *	12/1969	Somervell	30/250
D248,726	S *	8/1978	Okada	D8/57
D249,631	S *	9/1978	Hellmann	D8/57
D258,560	S *	3/1981	Stout	D8/57
D259,325	S *	5/1981	Okada	D8/57
4,485,507	A *	12/1984	Kantwerk	7/135
4,598,477	A *	7/1986	Quick	30/260
D296,295	S *	6/1988	Cain	D8/57
D297,206	S *	8/1988	Hayashi	D8/57
D319,942	S *	9/1991	Schubert	D8/57
5,079,801	A *	1/1992	Peterson	7/135
D381,565	S *	7/1997	Hibberd	D8/5
D484,378	S *	12/2003	Bodum	D8/57
D496,837	S *	10/2004	Tomchak et al.	D8/5
D506,913	S *	7/2005	Phillips et al.	D8/57
D569,701	S *	5/2008	Haquin	D8/57
D581,758	S *	12/2008	Kolodsiejski	D8/57

**1 Claim, 5 Drawing Sheets**



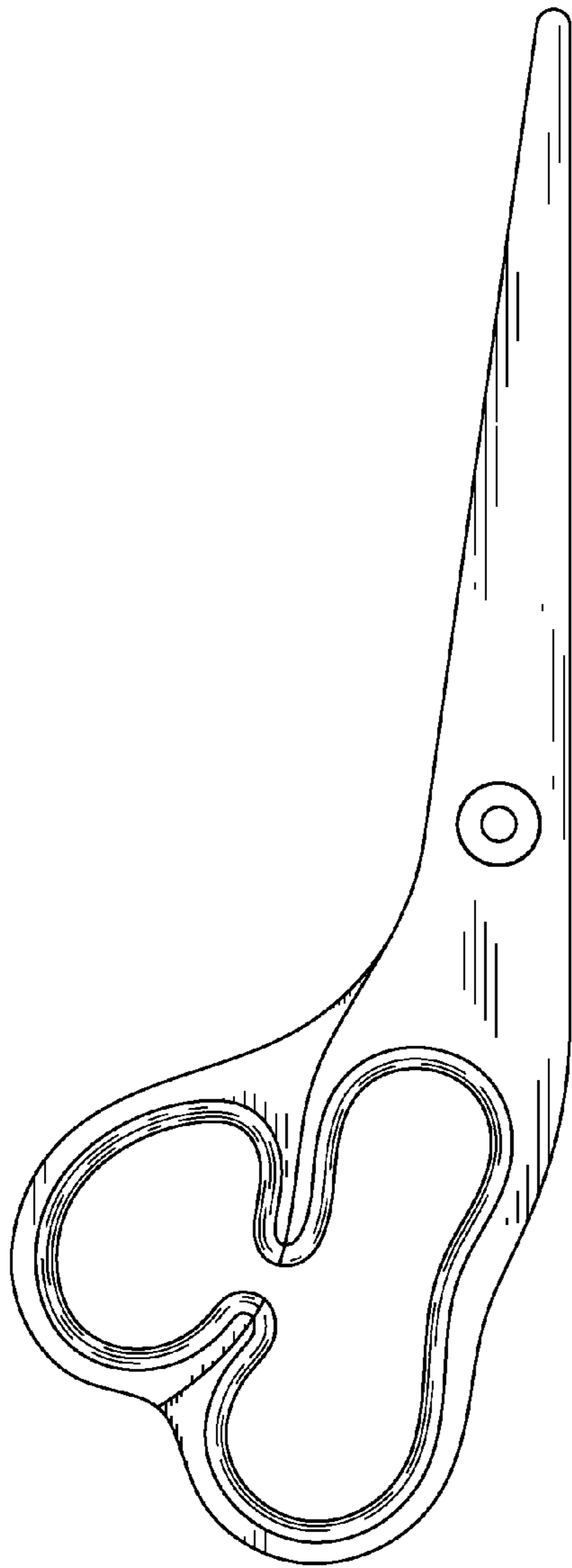


FIG. 1

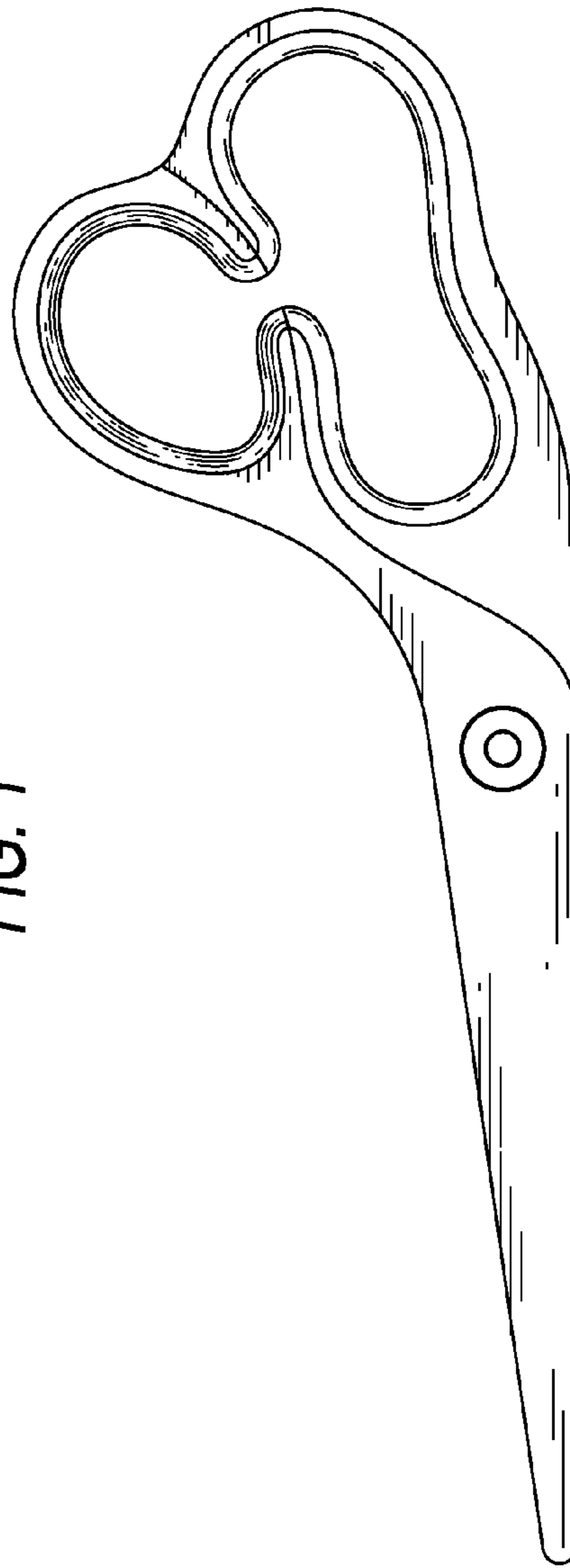


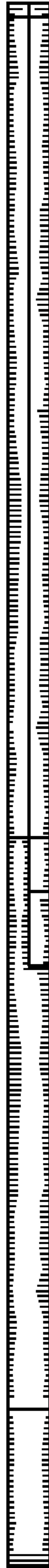
FIG. 2



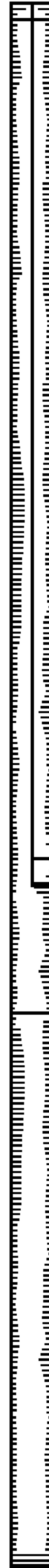
FIG. 3



FIG. 4



*FIG. 5*



*FIG. 6*

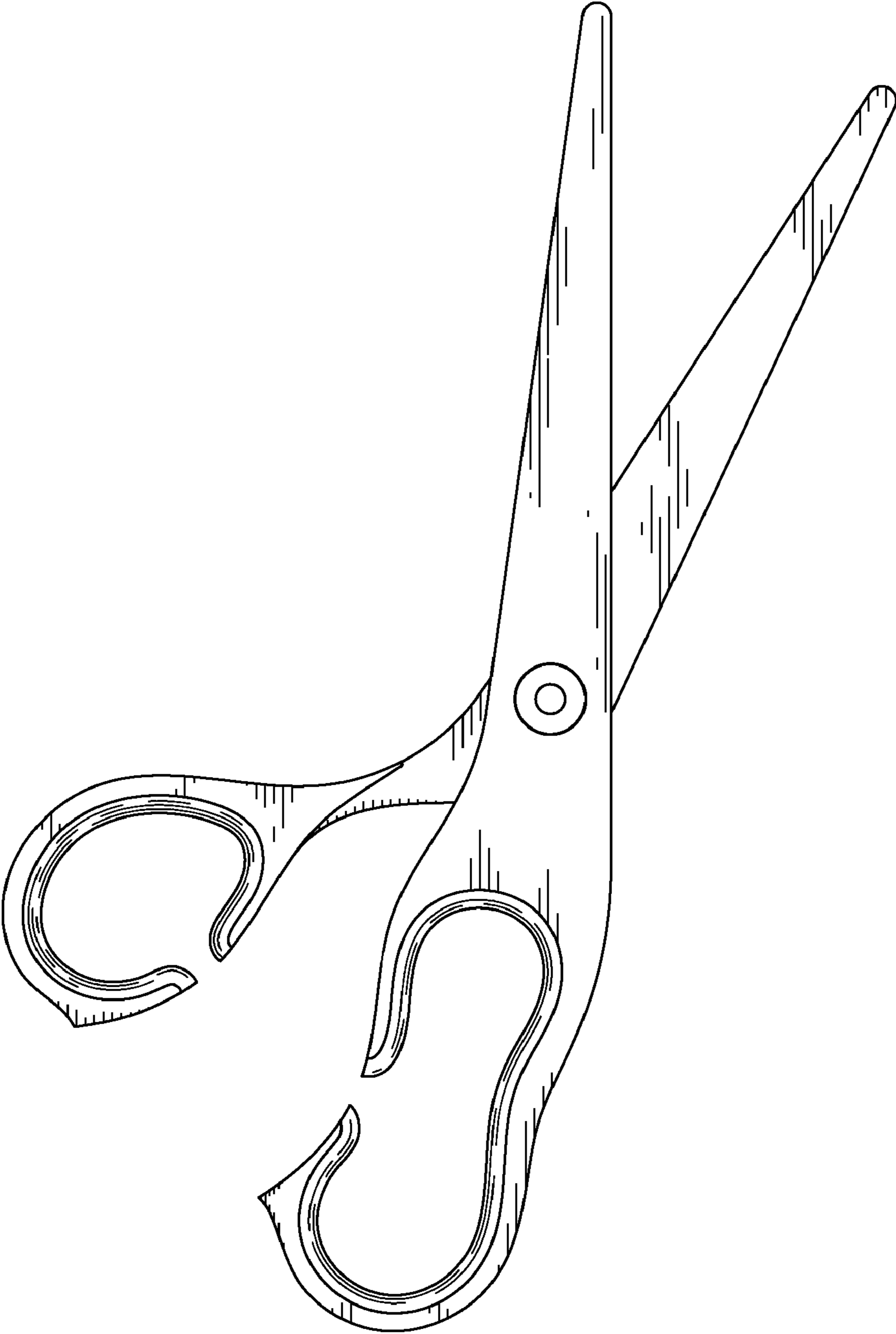


FIG. 7

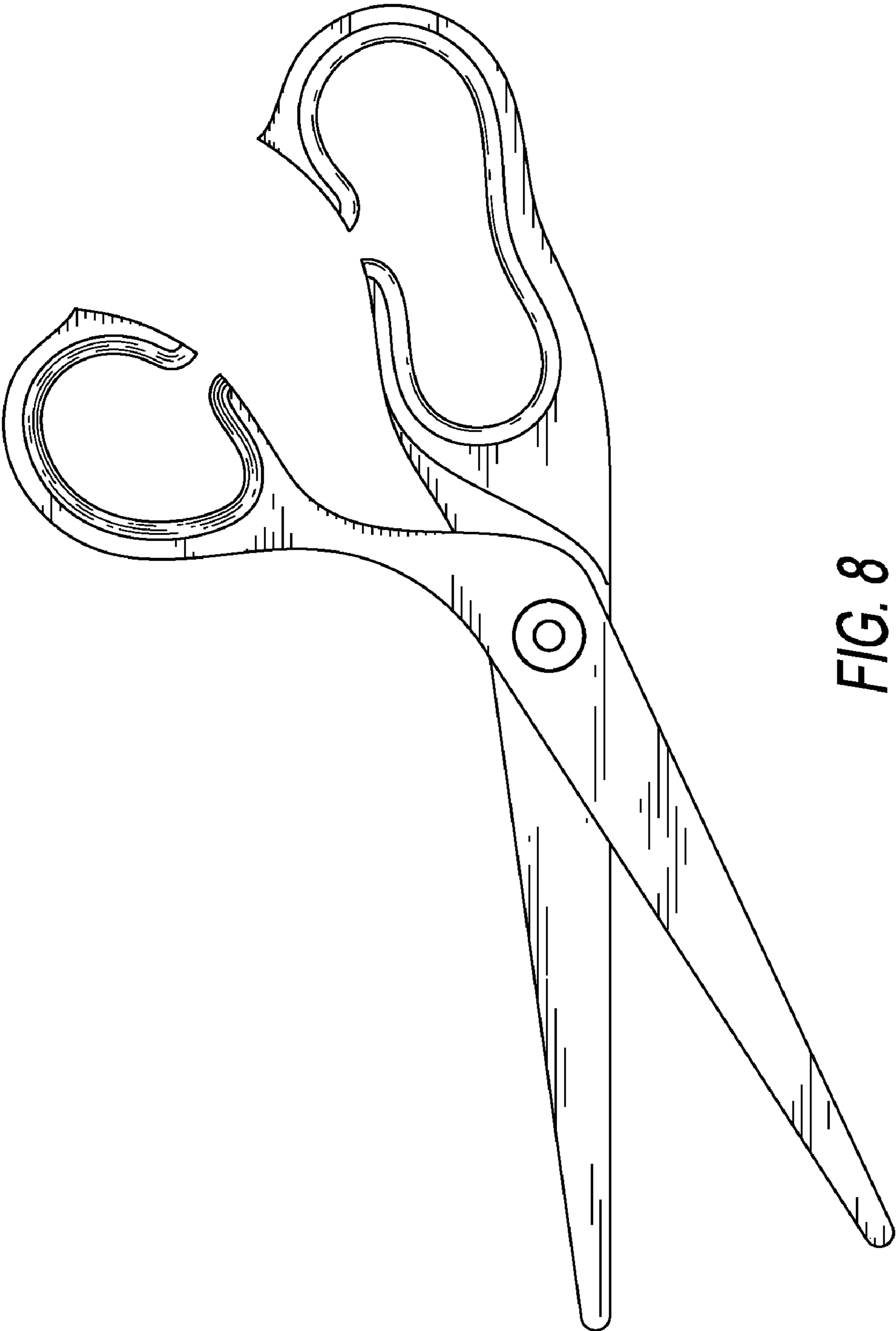


FIG. 8

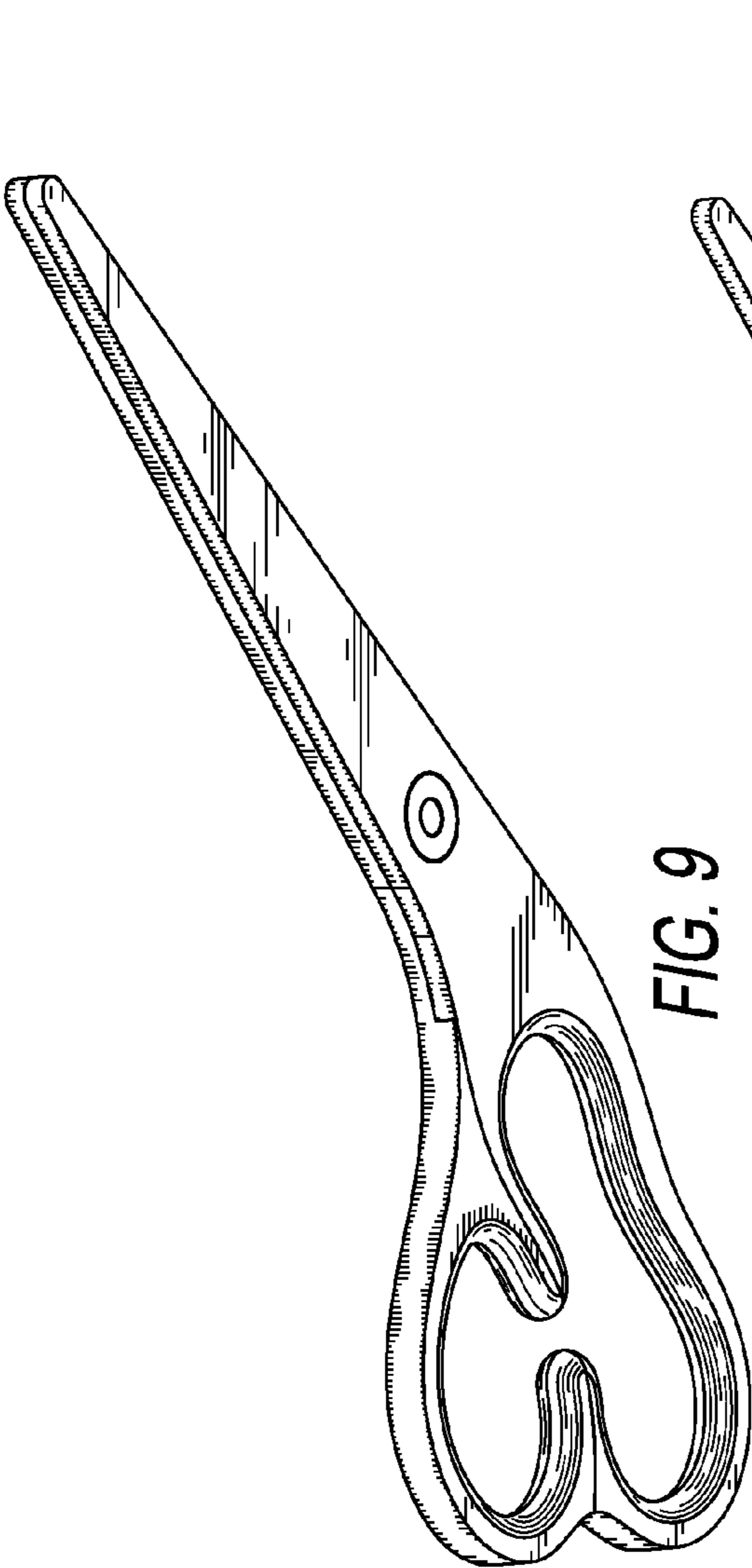


FIG. 9

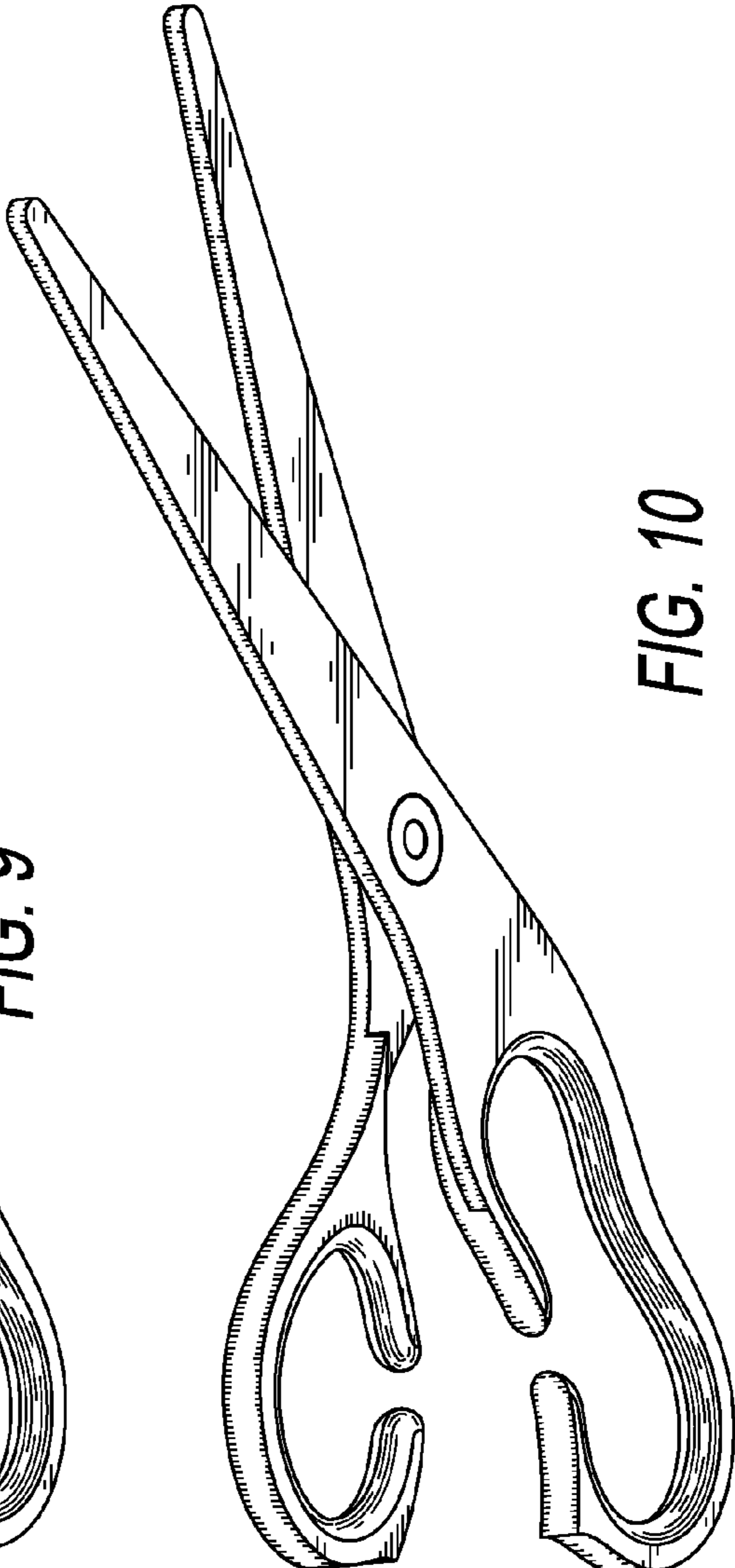


FIG. 10