



US00D629664S

(12) **United States Design Patent**
Hoppe

(10) **Patent No.:** **US D629,664 S**

(45) **Date of Patent:** **** Dec. 28, 2010**

(54) **ARMATURE FOR GLUE APPLICATION**

2002/0121620 A1* 9/2002 Sato et al. 251/129.15

(75) Inventor: **Reinhard Hoppe**, Tespe (DE)

* cited by examiner

(73) Assignee: **Focke & Co. (GmH & Co)** (DE)

Primary Examiner—Prabhakar Deshmukh

(74) *Attorney, Agent, or Firm*—Smith, Gambrell & Russell

(**) Term: **14 Years**

(57) **CLAIM**

(21) Appl. No.: **29/329,583**

The ornamental design for an armature for glue application, as shown and described.

(22) Filed: **Dec. 18, 2008**

(51) **LOC (9) Cl.** **08-05**

(52) **U.S. Cl.** **D8/29.1**

(58) **Field of Classification Search** D8/29.1,
D8/29.2, 30, 51; 392/383–385; 335/279,
335/280, 215; 219/616, 635, 200, 225, 226;
D19/70, 71

See application file for complete search history.

DESCRIPTION

FIG. 1 is a front perspective view of an armature for glue application showing my new design, showing a short version of an armature;

FIG. 2 is a rear perspective view thereof;

FIG. 3 is a side elevational view thereof;

FIG. 4 is a rear elevational view thereof;

FIG. 5 is a front elevational view thereof;

FIG. 6 is a front perspective view of second embodiment of an armature for glue application, showing a long version of an armature;

FIG. 7 is a rear perspective view of FIG. 6;

FIG. 8 is a side elevational view of FIG. 6;

FIG. 9 is a rear elevational view of FIG. 6; and,

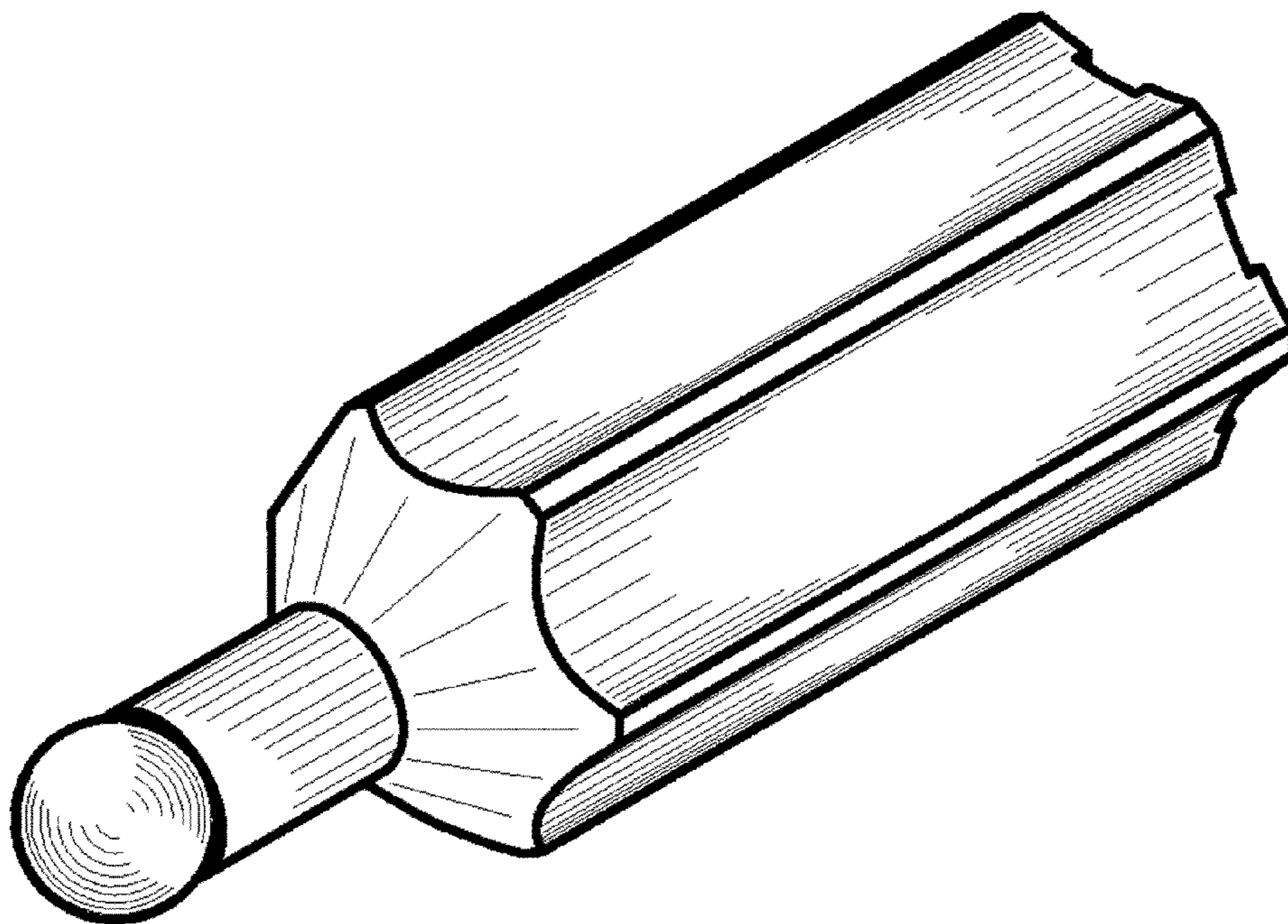
FIG. 10 is a front elevational view of FIG. 6.

(56) **References Cited**

U.S. PATENT DOCUMENTS

D296,070	S *	6/1988	Cunningham	D2/29.1
D297,398	S *	8/1988	Pagani	D8/29.1
D456,680	S *	5/2002	Cheng	D8/29.1
D456,681	S *	5/2002	Cheng	D8/29.1
D475,590	S *	6/2003	Huang	D8/29.1
6,956,454	B1 *	10/2005	Garcia et al.	335/281
7,683,507	B2 *	3/2010	Kelly	310/12.12
7,766,041	B2 *	8/2010	Tackes et al.	137/625.3
7,766,787	B2 *	8/2010	Liu	475/331
7,780,623	B2 *	8/2010	Soltanpour	604/9

1 Claim, 10 Drawing Sheets



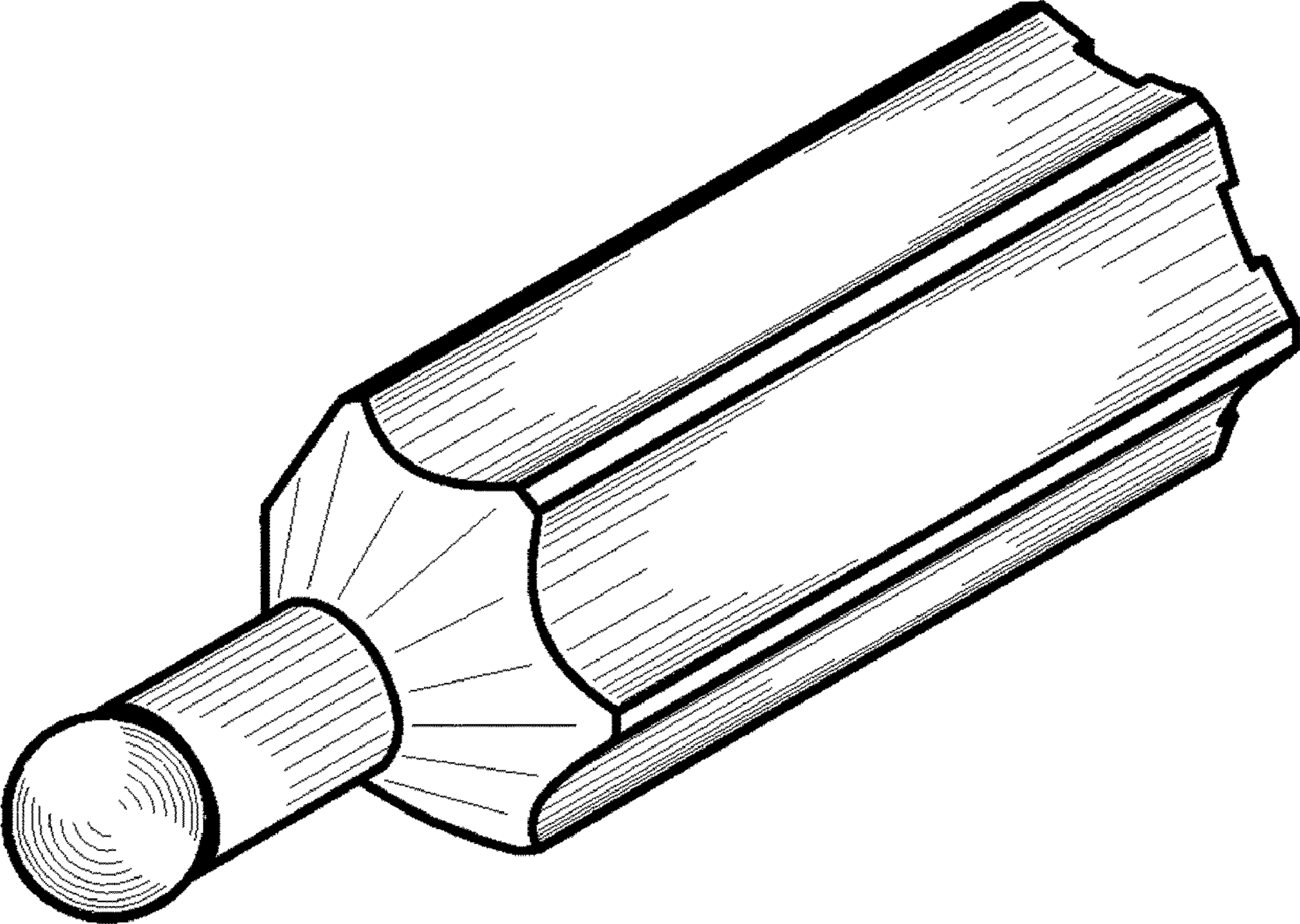


FIG. 1

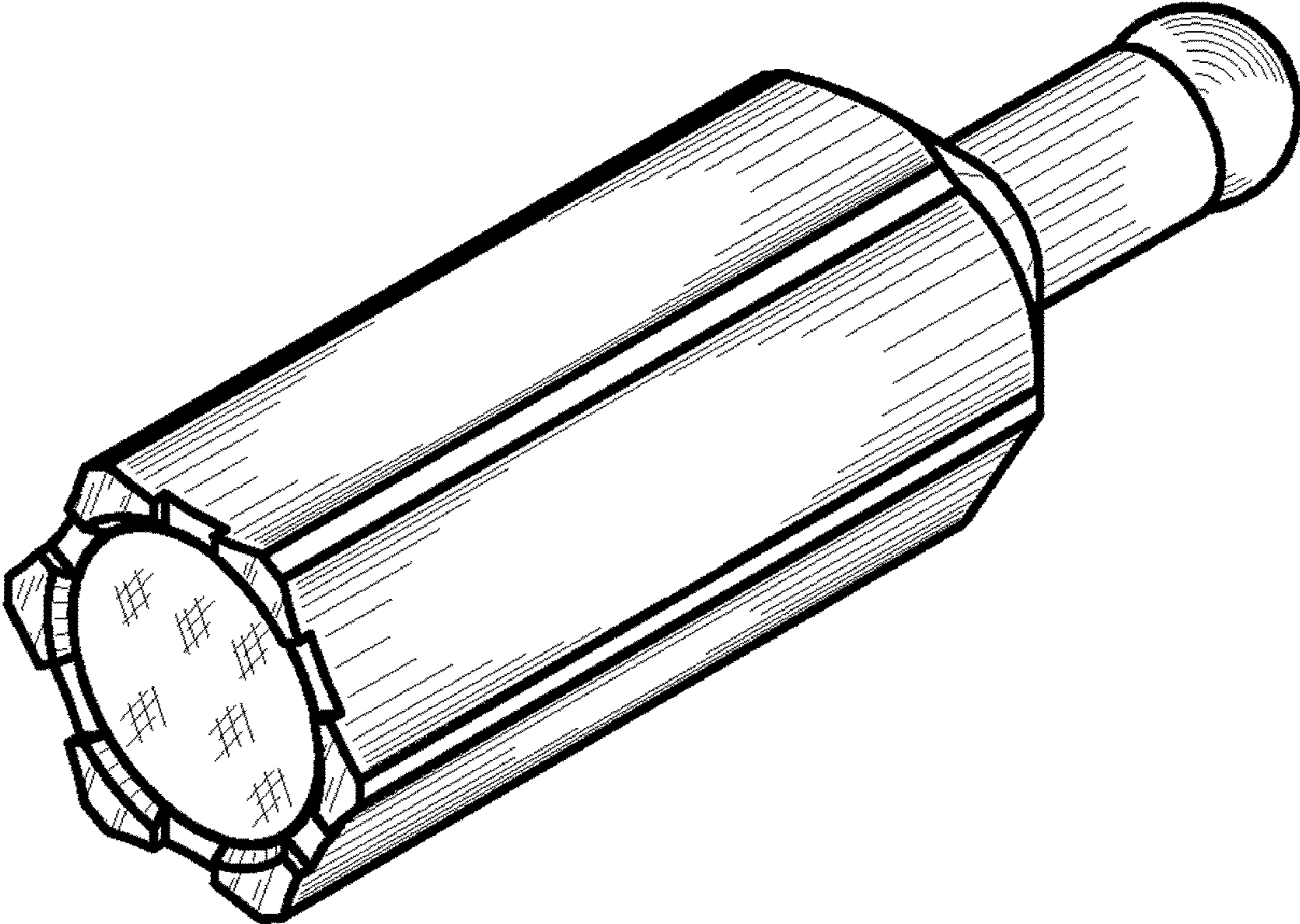


FIG. 2

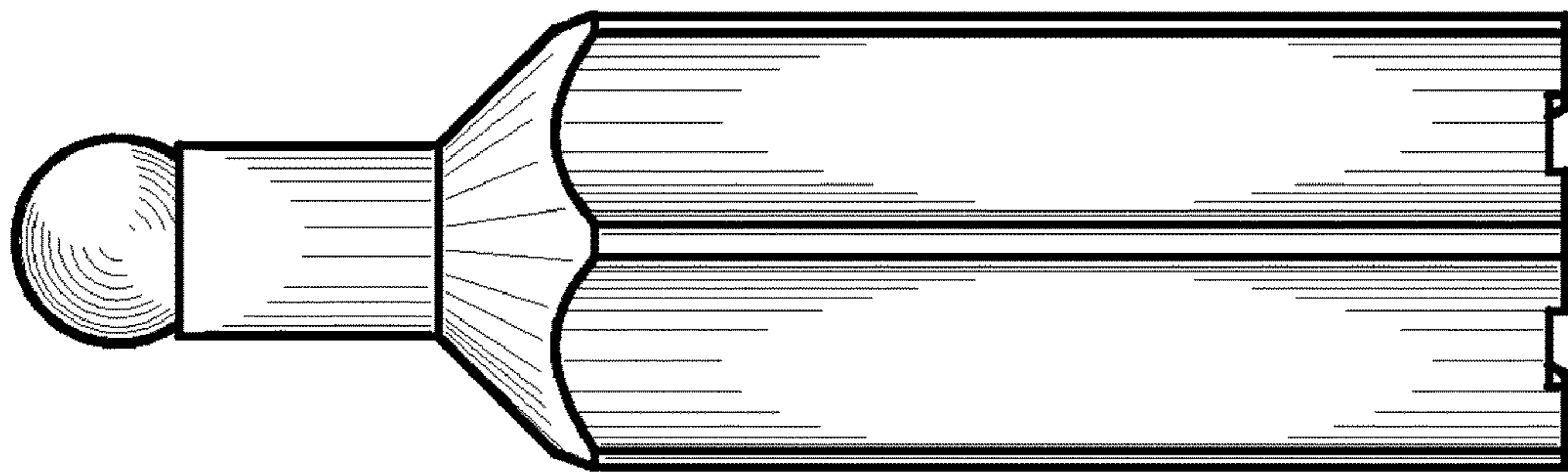


FIG. 3

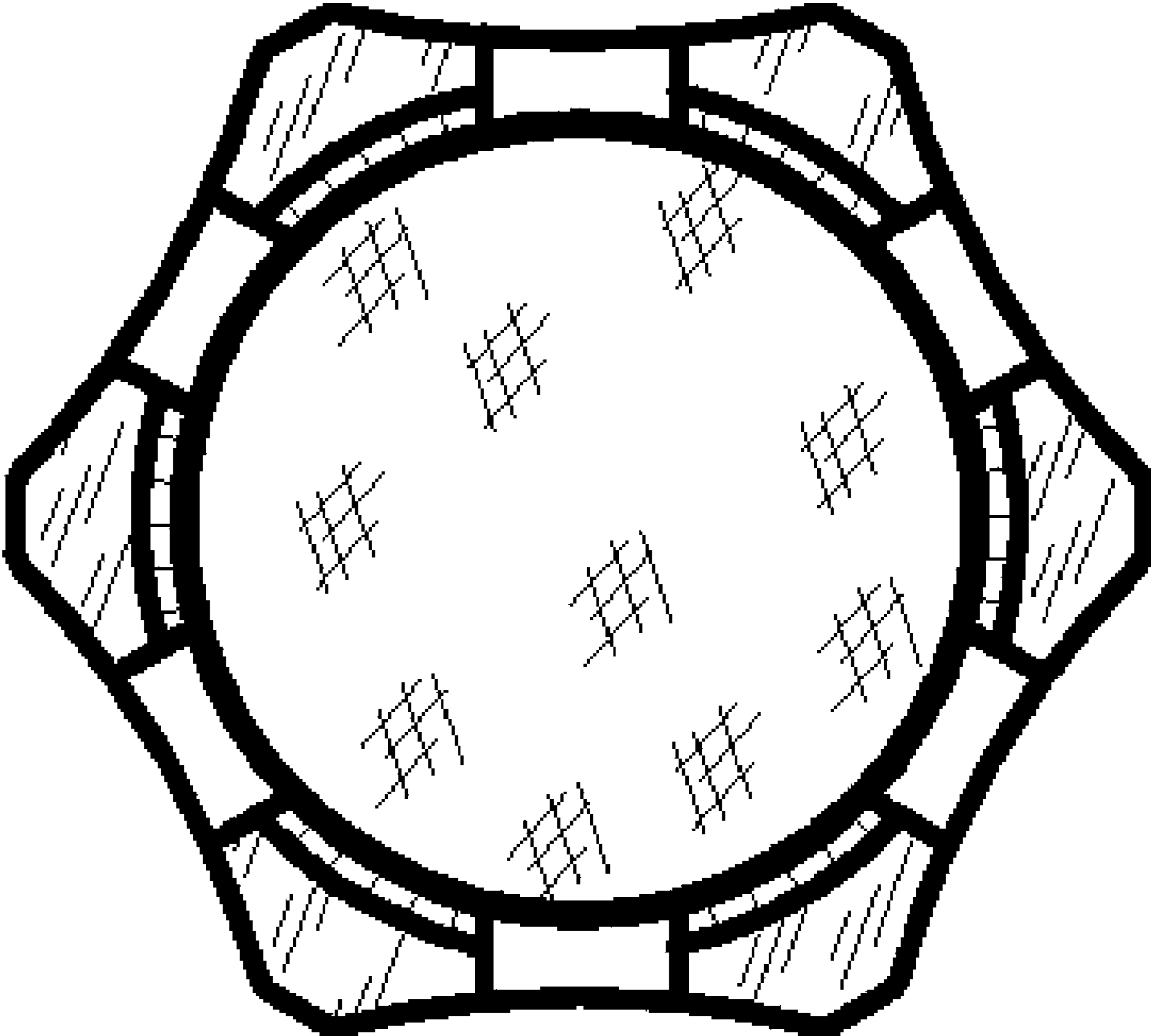


FIG. 4

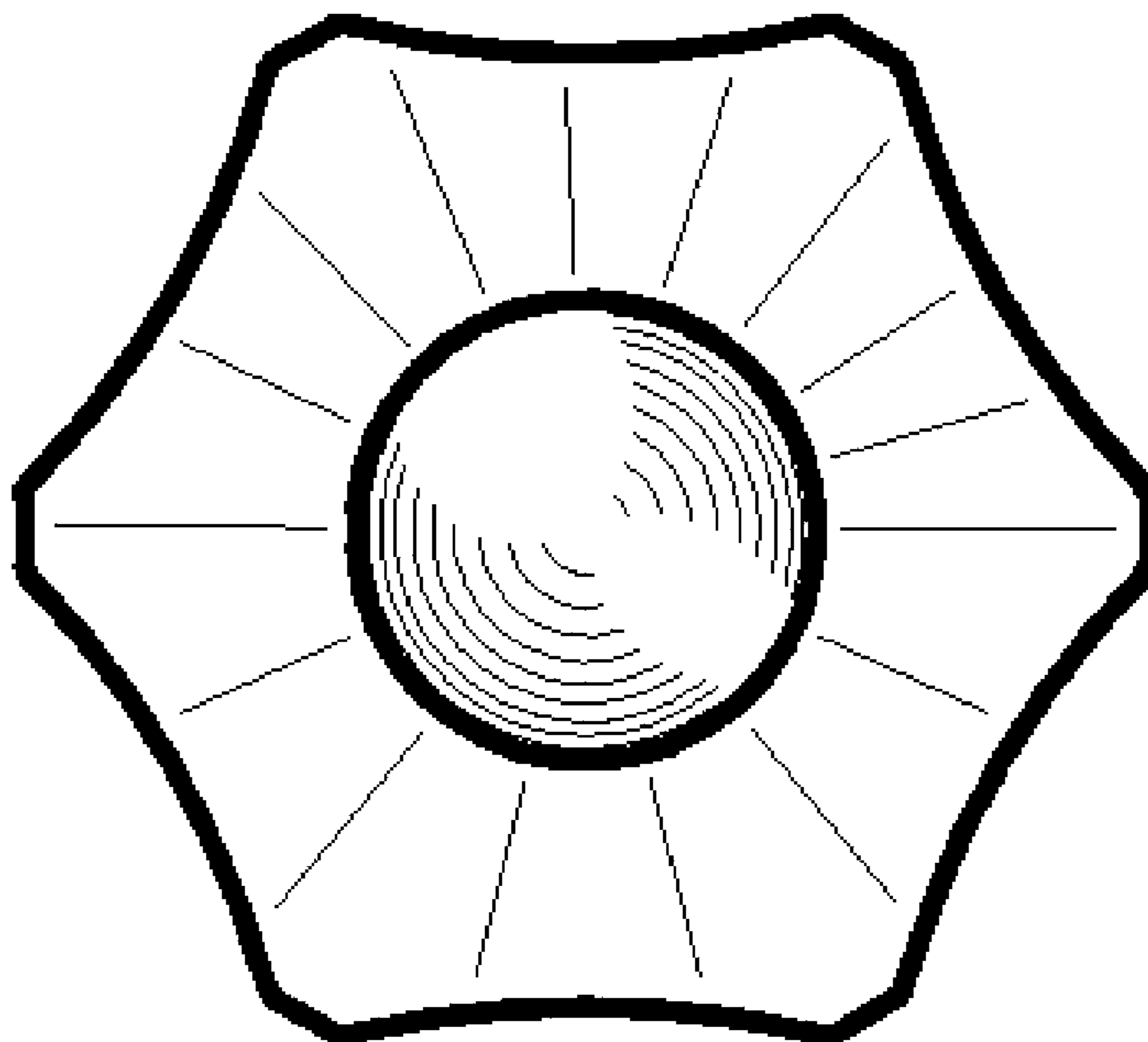


FIG. 5

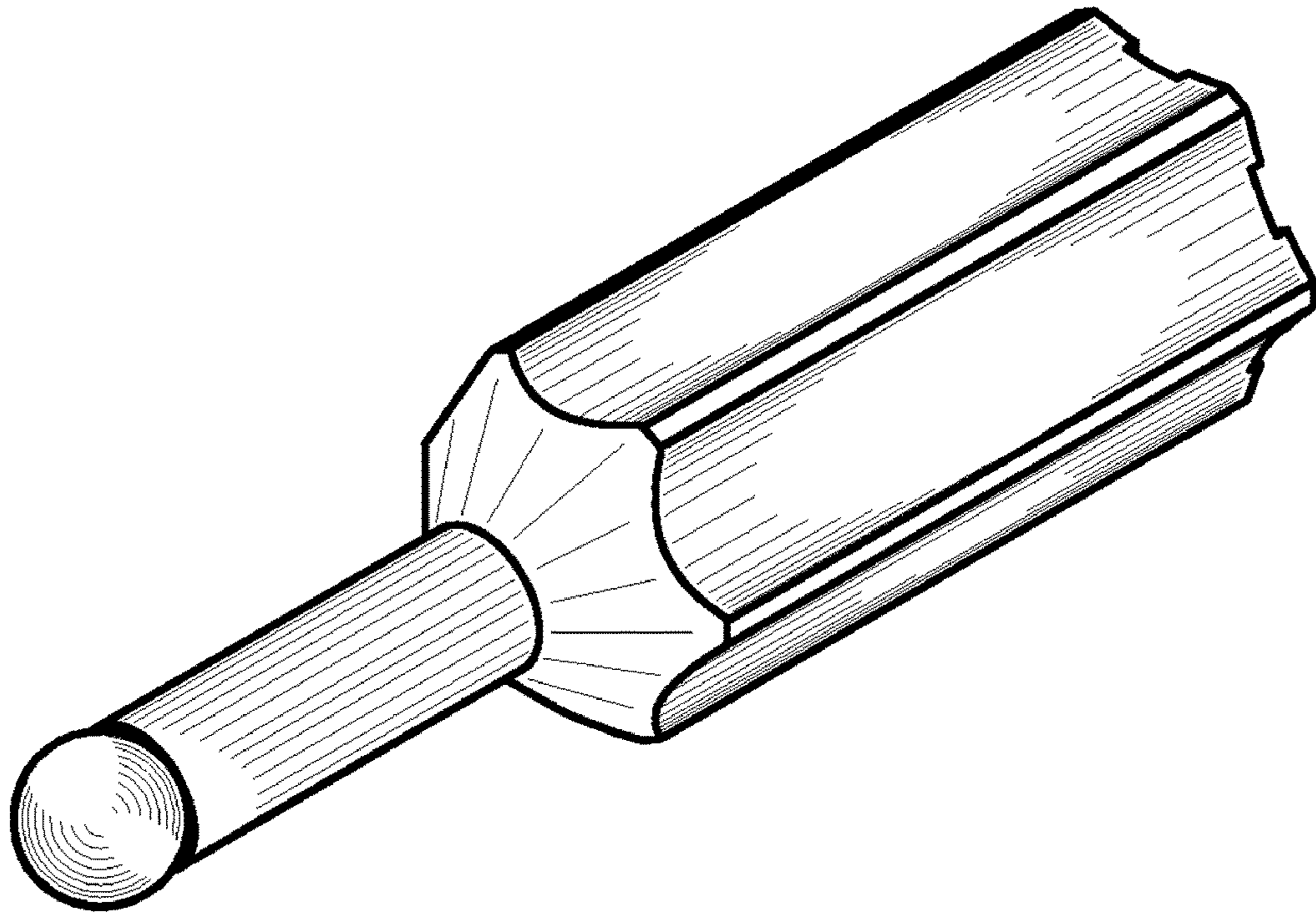


FIG. 6

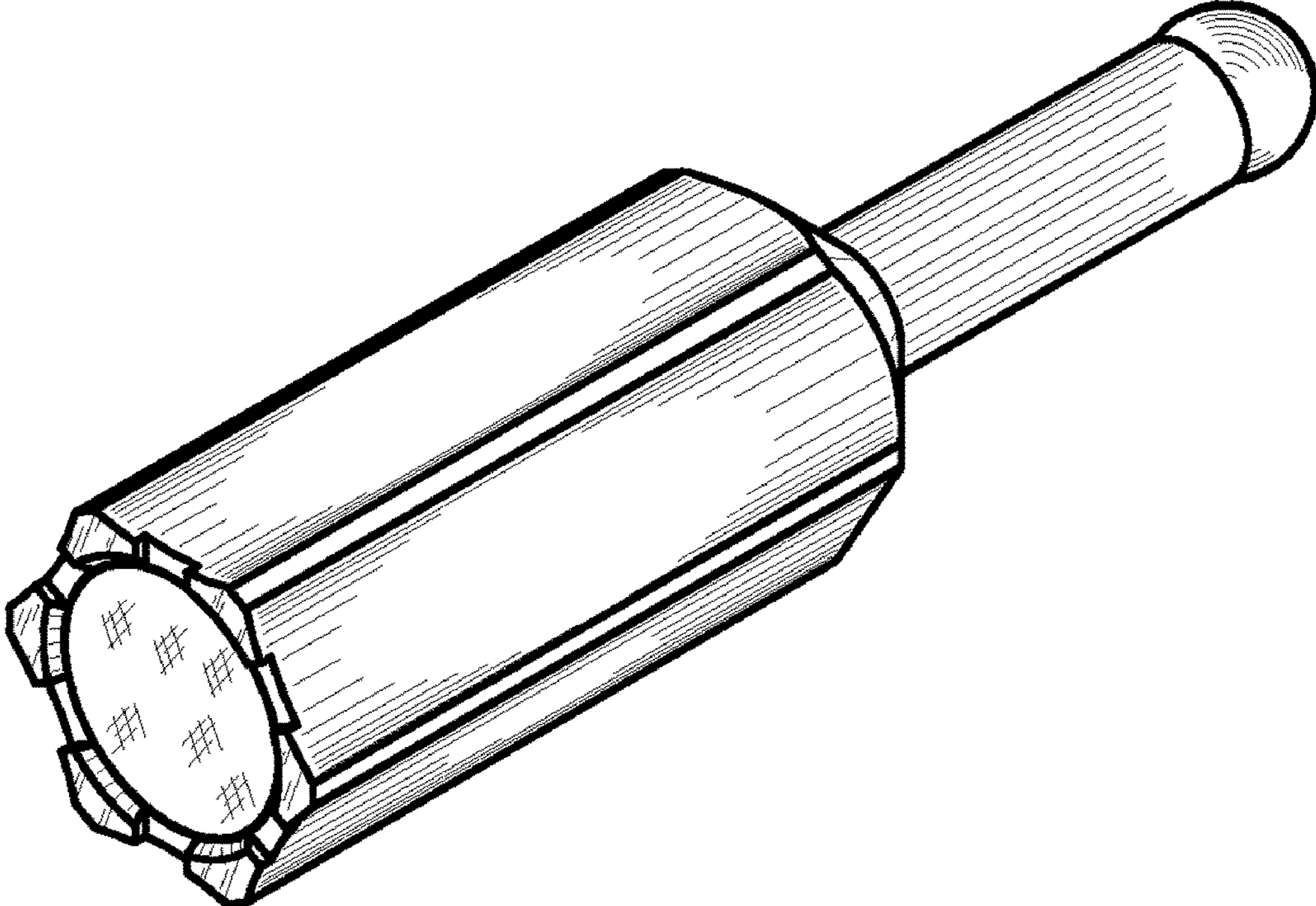


FIG. 7

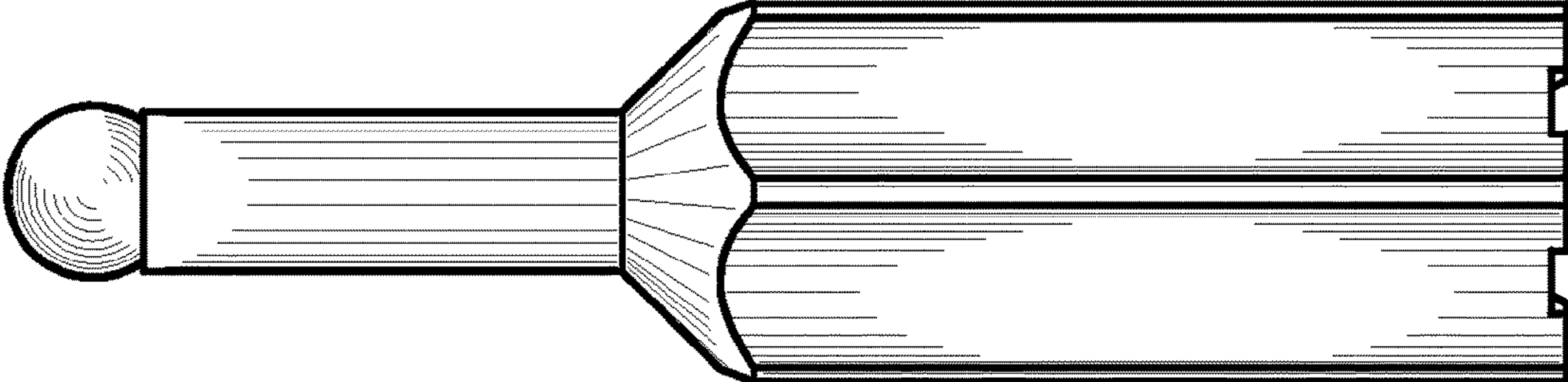


FIG. 8

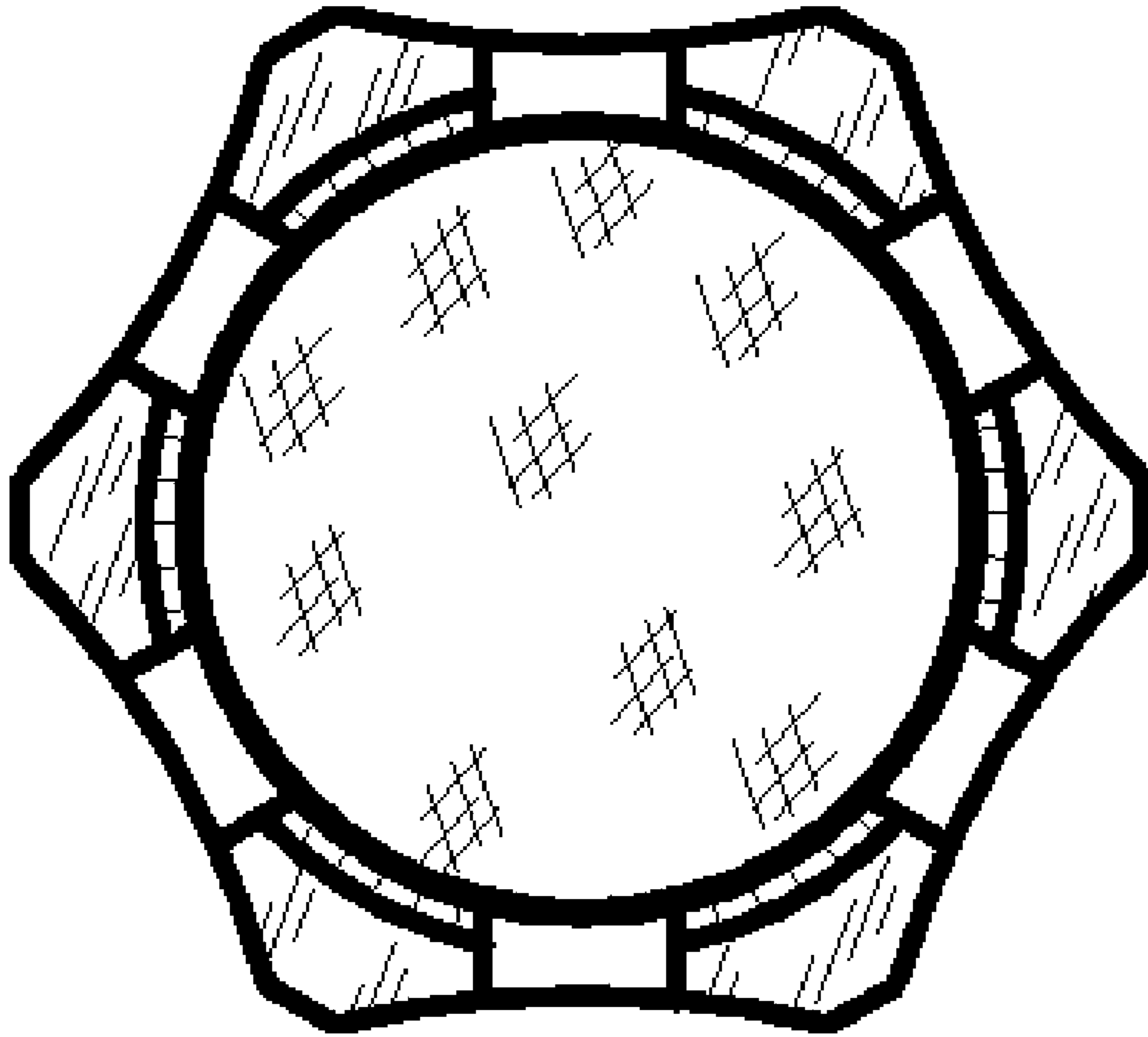


FIG. 9

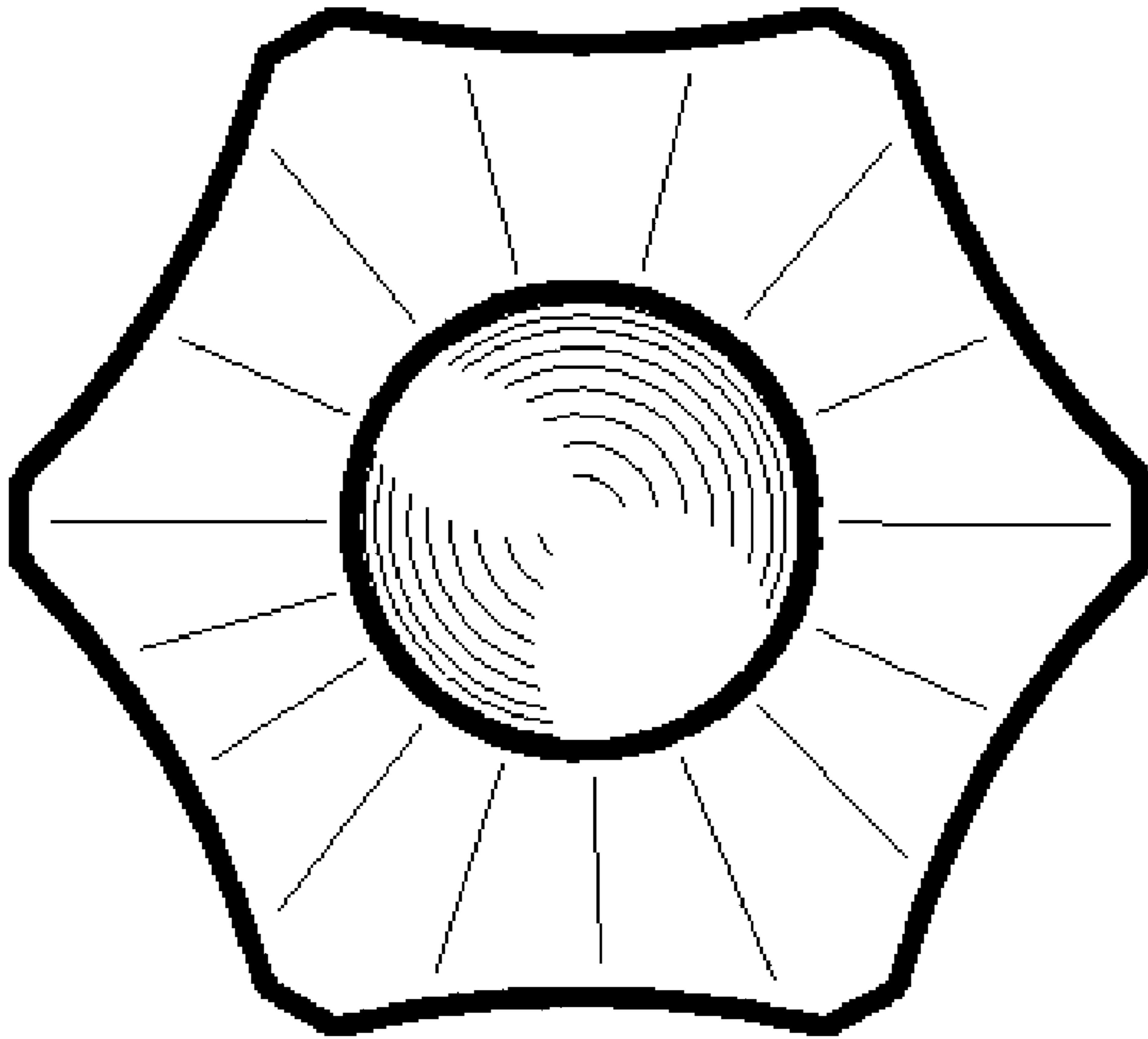


FIG. 10