

US00D629661S

(12) **United States Design Patent**  
**Lion et al.**

(10) **Patent No.:** **US D629,661 S**

(45) **Date of Patent:** **\*\* Dec. 28, 2010**

(54) **PASTRY CUTTER**

(75) Inventors: **Mathieu Lion**, Paris (FR); **Anne Tanguy**, Paris (FR)

(73) Assignee: **Mastrad, S.A.**, Paris (FR)

(\*\*) Term: **14 Years**

(21) Appl. No.: **29/353,878**

(22) Filed: **Jan. 15, 2010**

(51) **LOC (9) Cl.** ..... **07-04**

(52) **U.S. Cl.** ..... **D7/672**

(58) **Field of Classification Search** ..... D7/672-677;  
99/537; 30/114, 152, 301, 303, 314, 315,  
30/305, 130

See application file for complete search history.

(56) **References Cited**

**U.S. PATENT DOCUMENTS**

1,031,243	A *	7/1912	Carnes	.....	30/301
1,618,685	A *	2/1927	Stauffer	.....	30/130
2,779,097	A *	1/1957	Frazier	.....	30/130
3,128,724	A *	4/1964	Linder	.....	30/314

D203,612	S *	2/1966	Waller, Jr.	.....	D7/677
D401,482	S *	11/1998	De Are	.....	D7/677
D409,055	S *	5/1999	Johnson et al.	.....	D7/677

\* cited by examiner

*Primary Examiner*—Terry A Wallace

(74) *Attorney, Agent, or Firm*—Connolly Bove Lodge & Hutz LLP

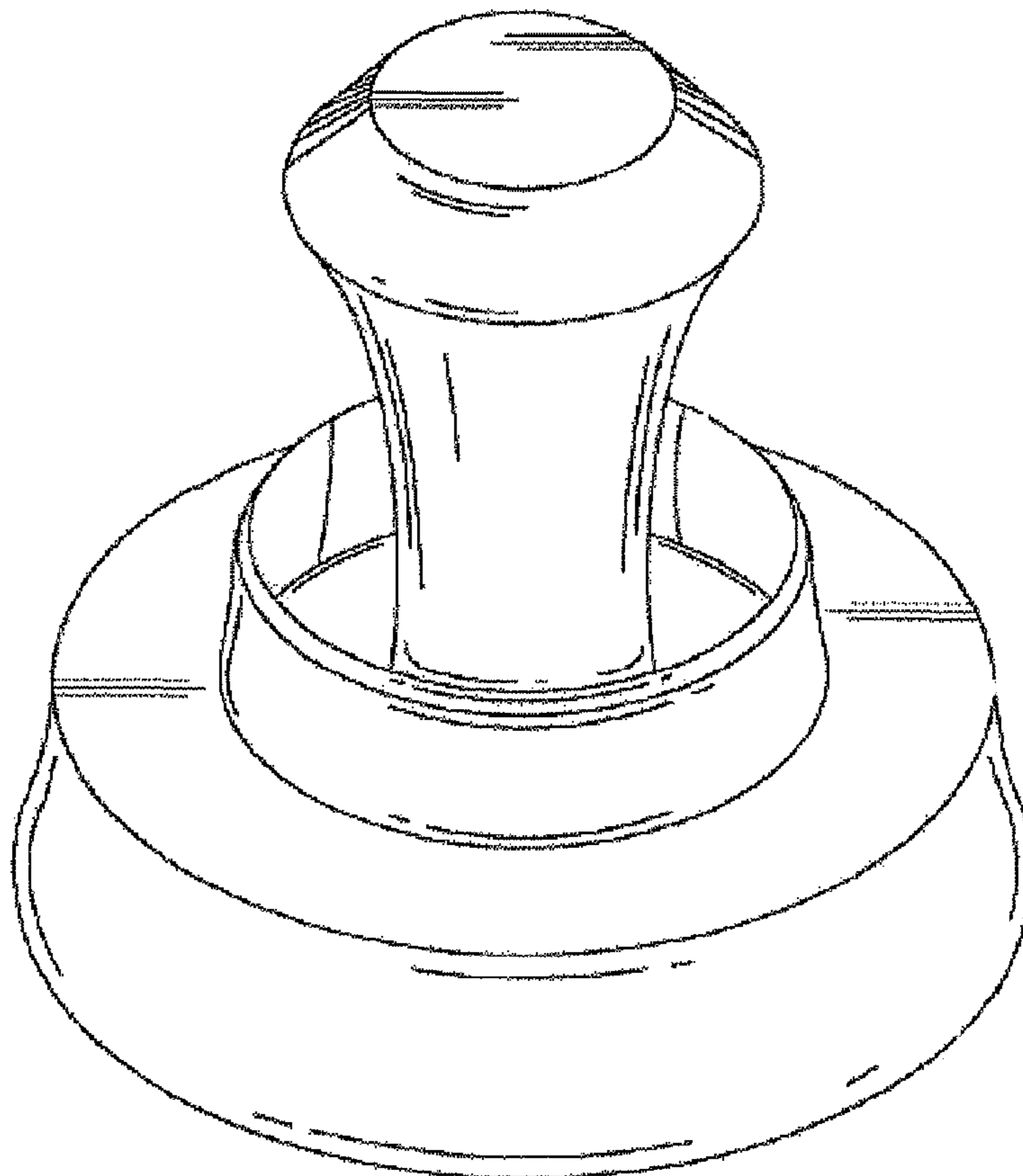
(57) **CLAIM**

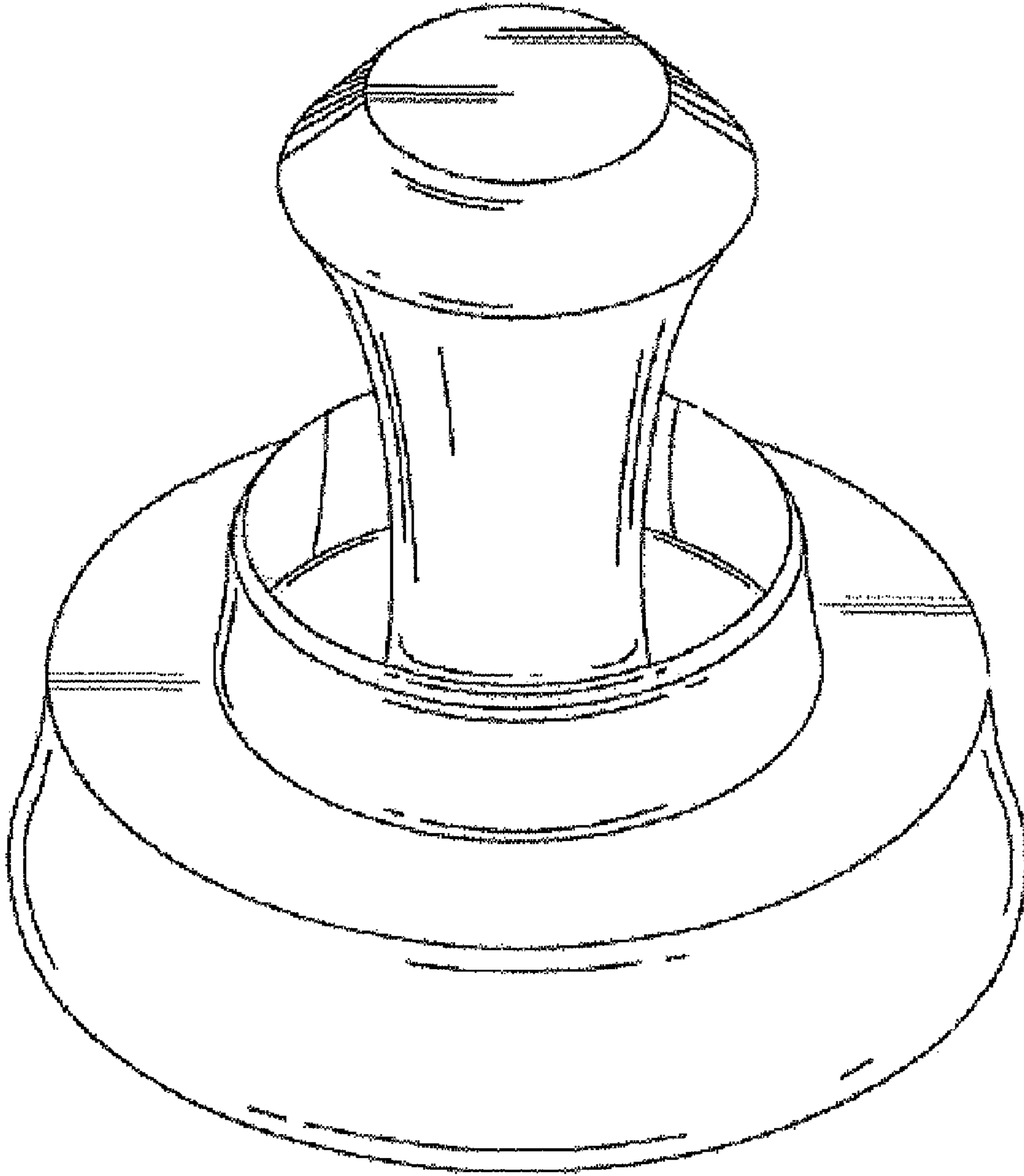
The ornamental design for pastry cutter, as shown and described.

**DESCRIPTION**

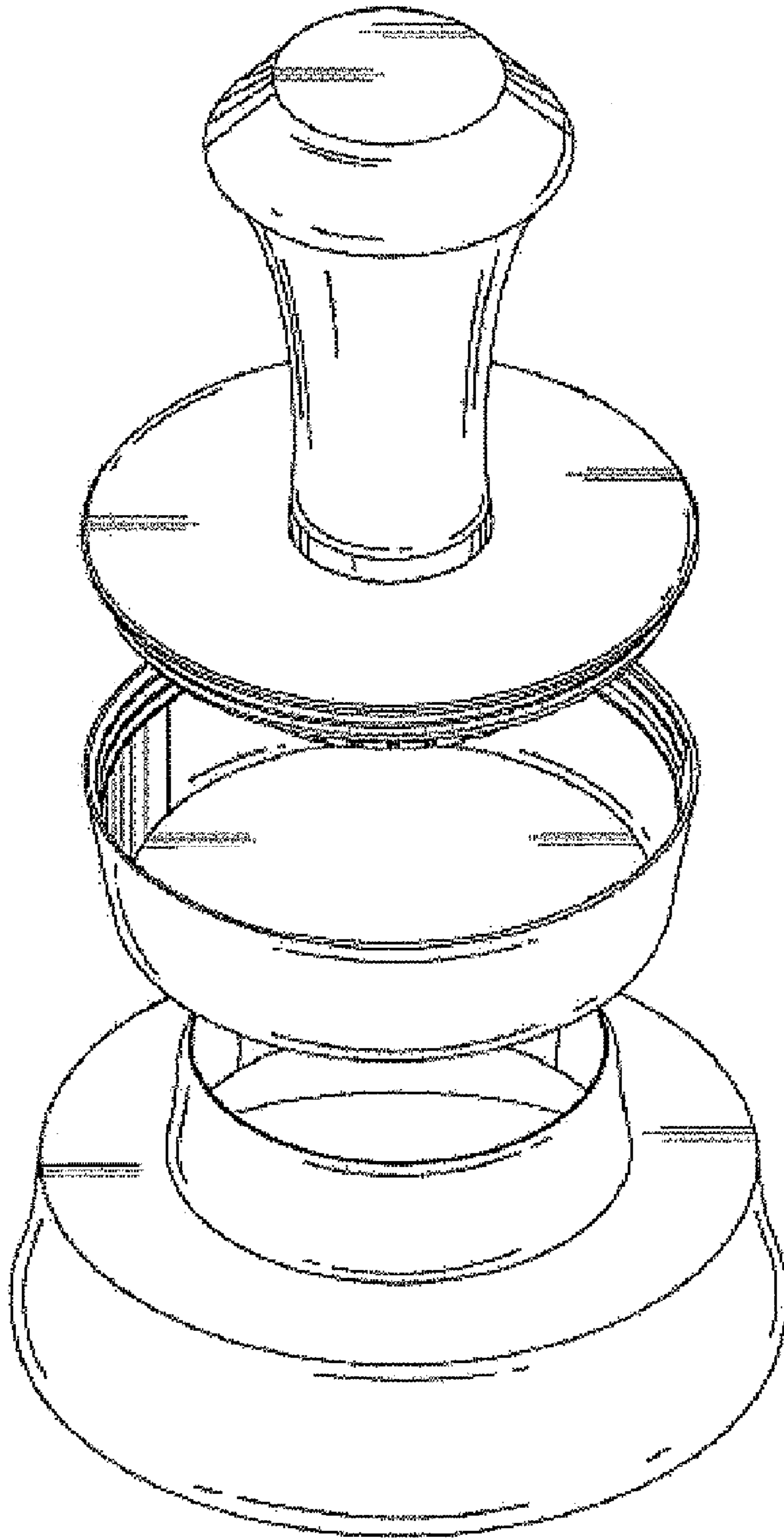
FIG. 1 is a perspective view of the pastry cutter;  
FIG. 2 is an exploded perspective view of the pastry cutter of FIG. 1;  
FIG. 3 is a side view of the pastry cutter of FIG. 1;  
FIG. 4 is a top view of the pastry cutter of FIG. 1;  
FIG. 5 is a bottom view of the pastry cutter of FIG. 1; and,  
FIG. 6 is a cross-sectional view of the pastry cutter along 6—6 shown in FIG. 4.

**1 Claim, 6 Drawing Sheets**

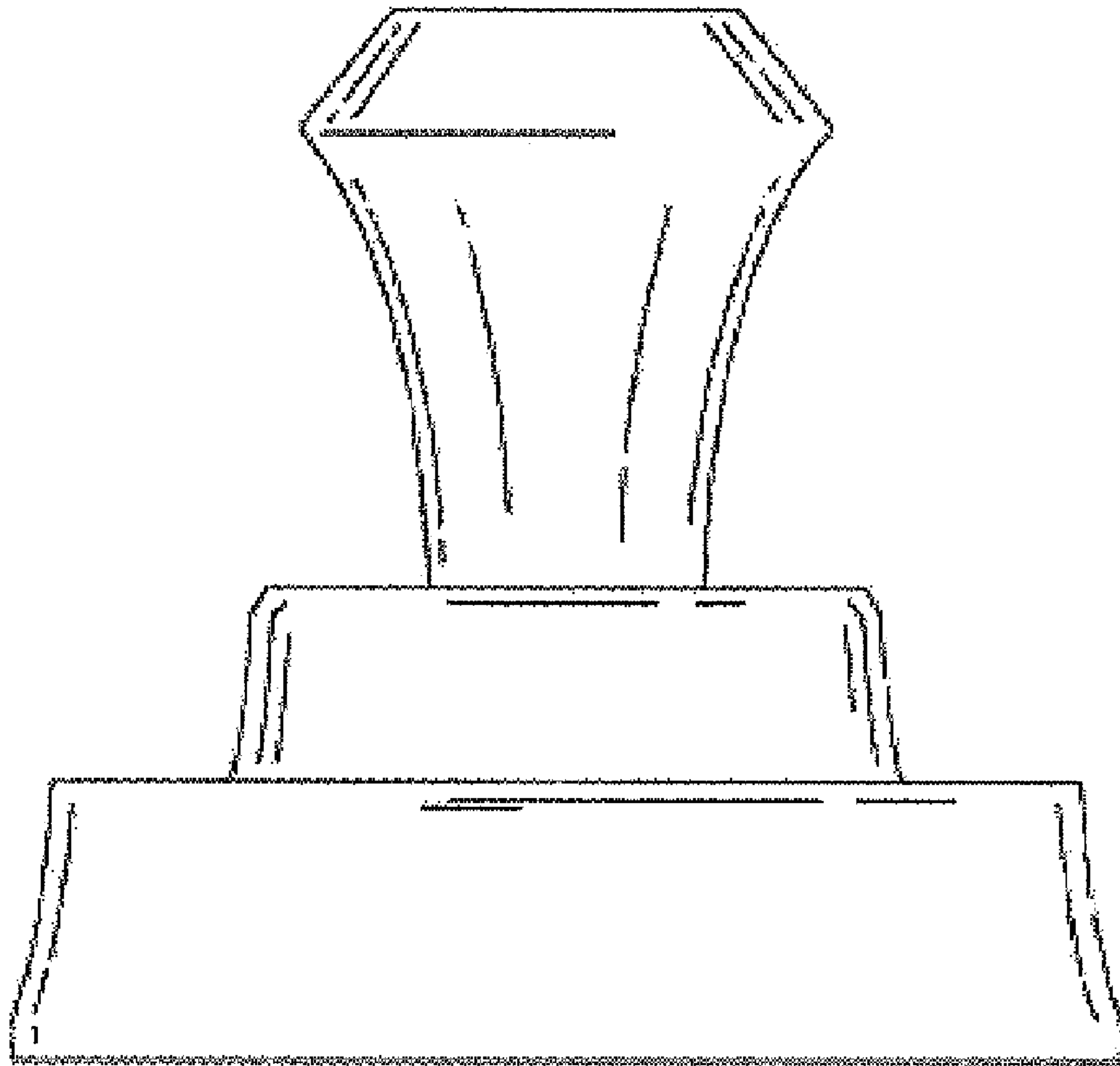




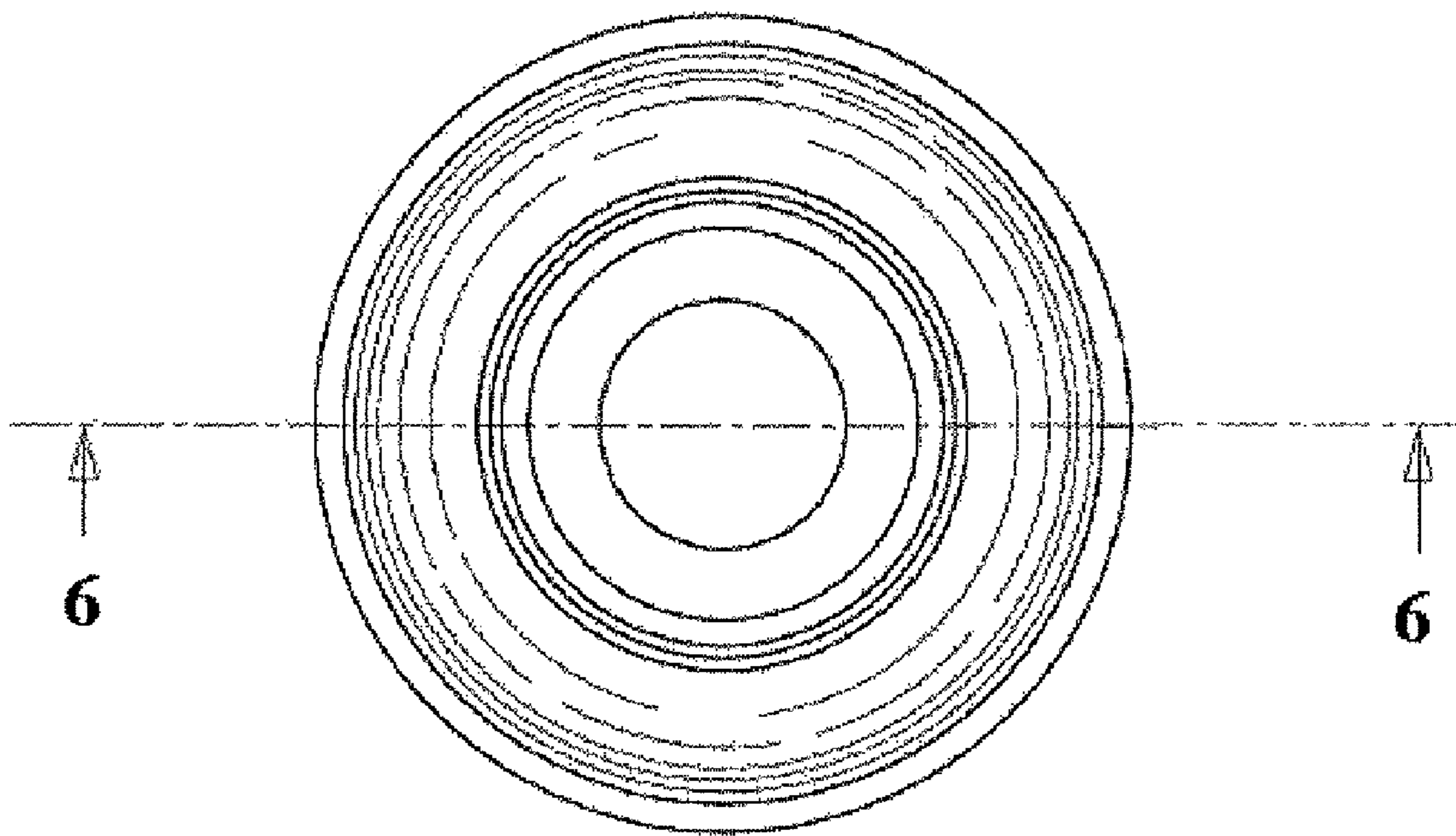
*Figure 1*



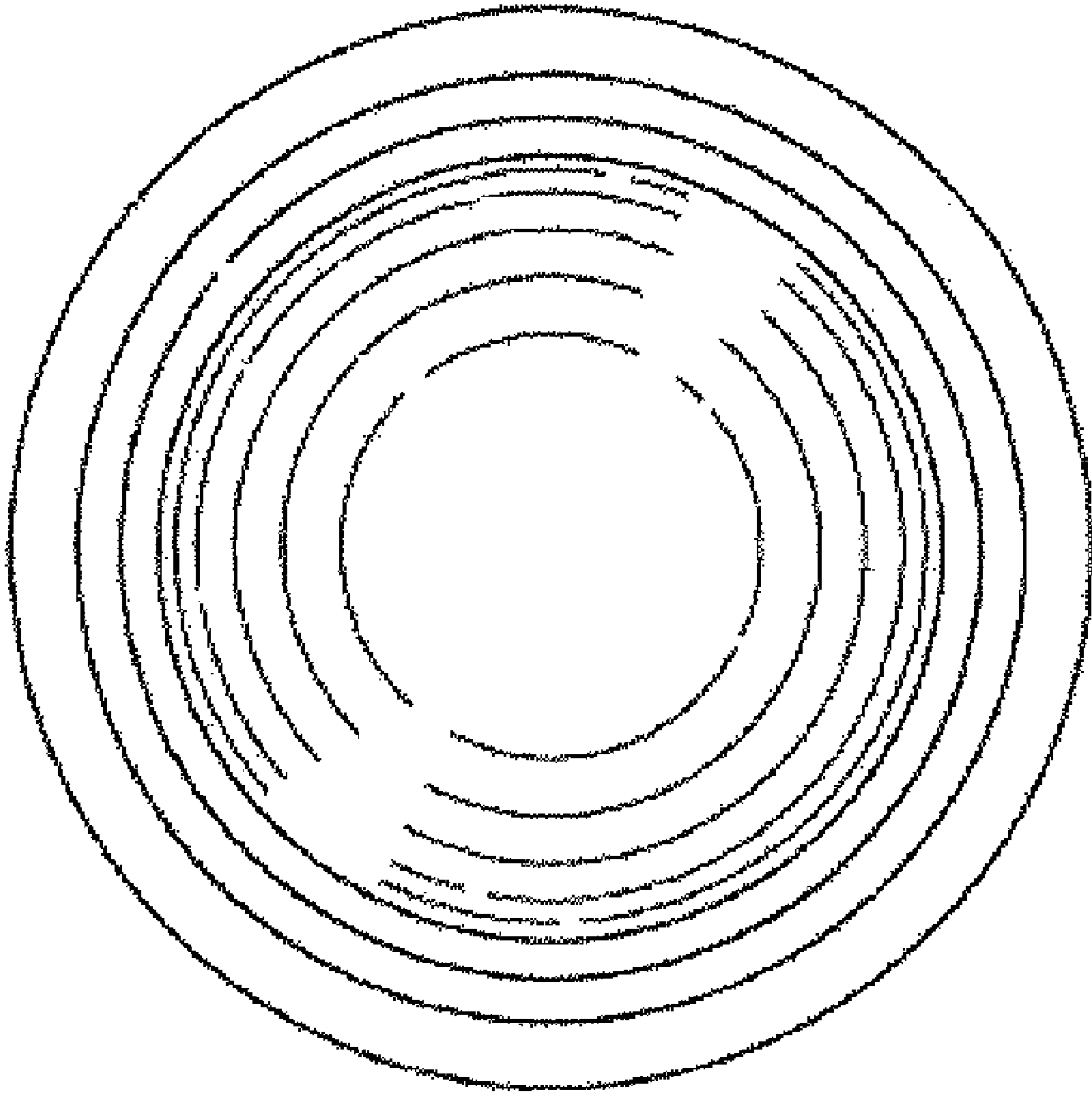
*Figure 2*



*Figure 3*

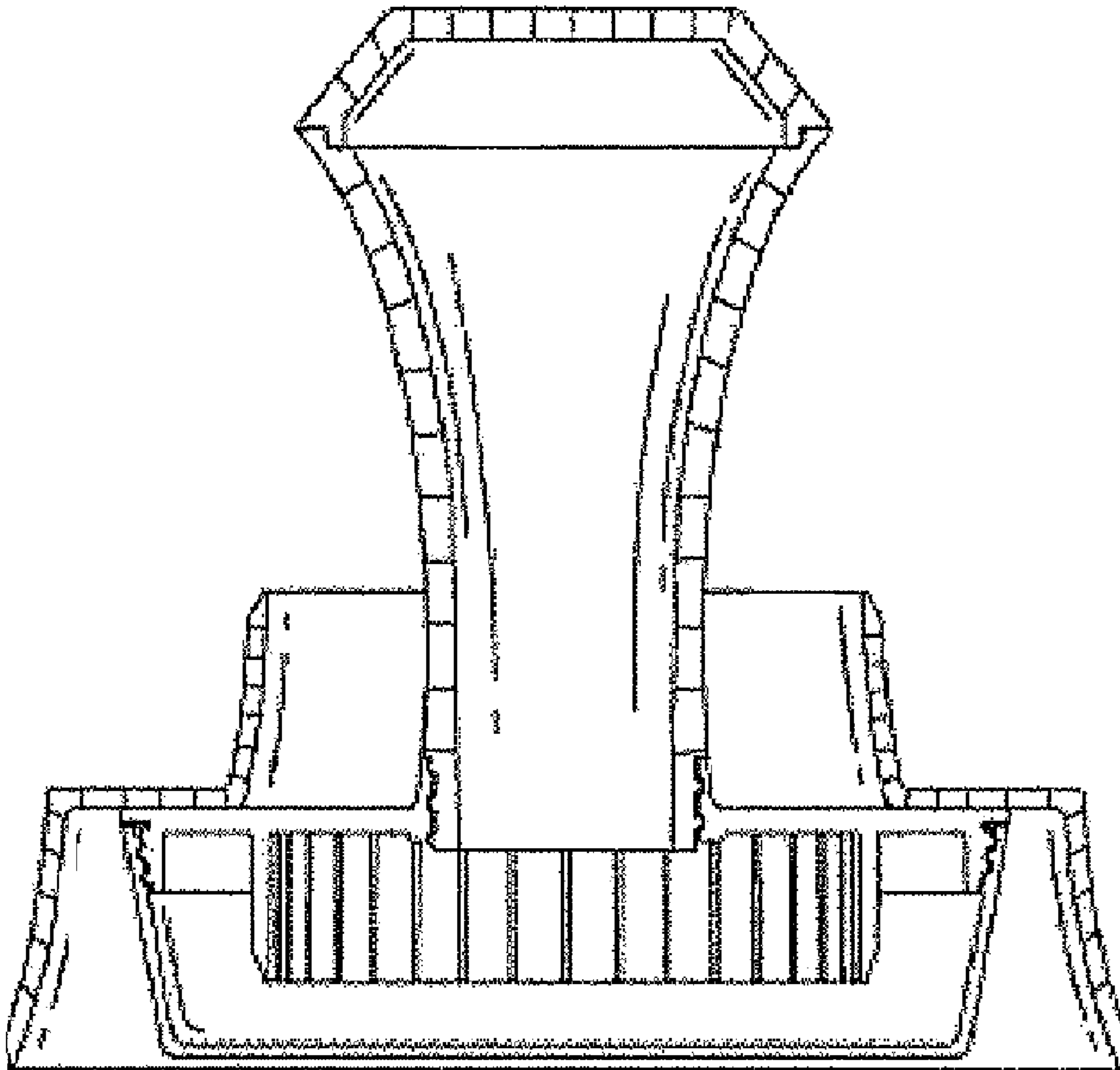


*Figure 4*



*Figure 5*





*Figure 6*